



US00D381686S

United States Patent [19]
Chiu

[11] **Patent Number:** **Des. 381,686**
[45] **Date of Patent:** ****Jul. 29, 1997**

[54] **STATIONERY ORGANIZER**

[76] **Inventor:** **Tien Szu Chiu**, P.O. Box 82-144,
Taipei, Taiwan

[**] **Term:** **14 Years**

[21] **Appl. No.:** **55,424**

[22] **Filed:** **Jun. 5, 1996**

[51] **LOC (6) Cl.** **19-02**

[52] **U.S. Cl.** **D19/77; D19/69; D19/75;**
D19/641; D19/95

[58] **Field of Search** **D7/641; D19/35,**
D19/36, 65, 67-69, 75, 77, 78, 81-85,
99, 95, 100; 206/214, 224, 371; 211/69.1-69.9,
10, 11, 45, 50; 225/5, 19, 25, 45, 54, 65;
83/649

[56] **References Cited**

U.S. PATENT DOCUMENTS

D. 283,630 4/1986 Yuen D19/77
D. 312,662 12/1990 Ancona et al. D19/77

D. 329,876 9/1992 Breen D19/77
D. 355,101 2/1995 Ancona et al. D19/77
D. 367,889 3/1996 Chiu D19/77
D. 372,938 8/1996 Wilson D19/78 X
4,934,527 6/1990 Ho 206/224

Primary Examiner—Martie Thompson
Attorney, Agent, or Firm—Alfred Lei

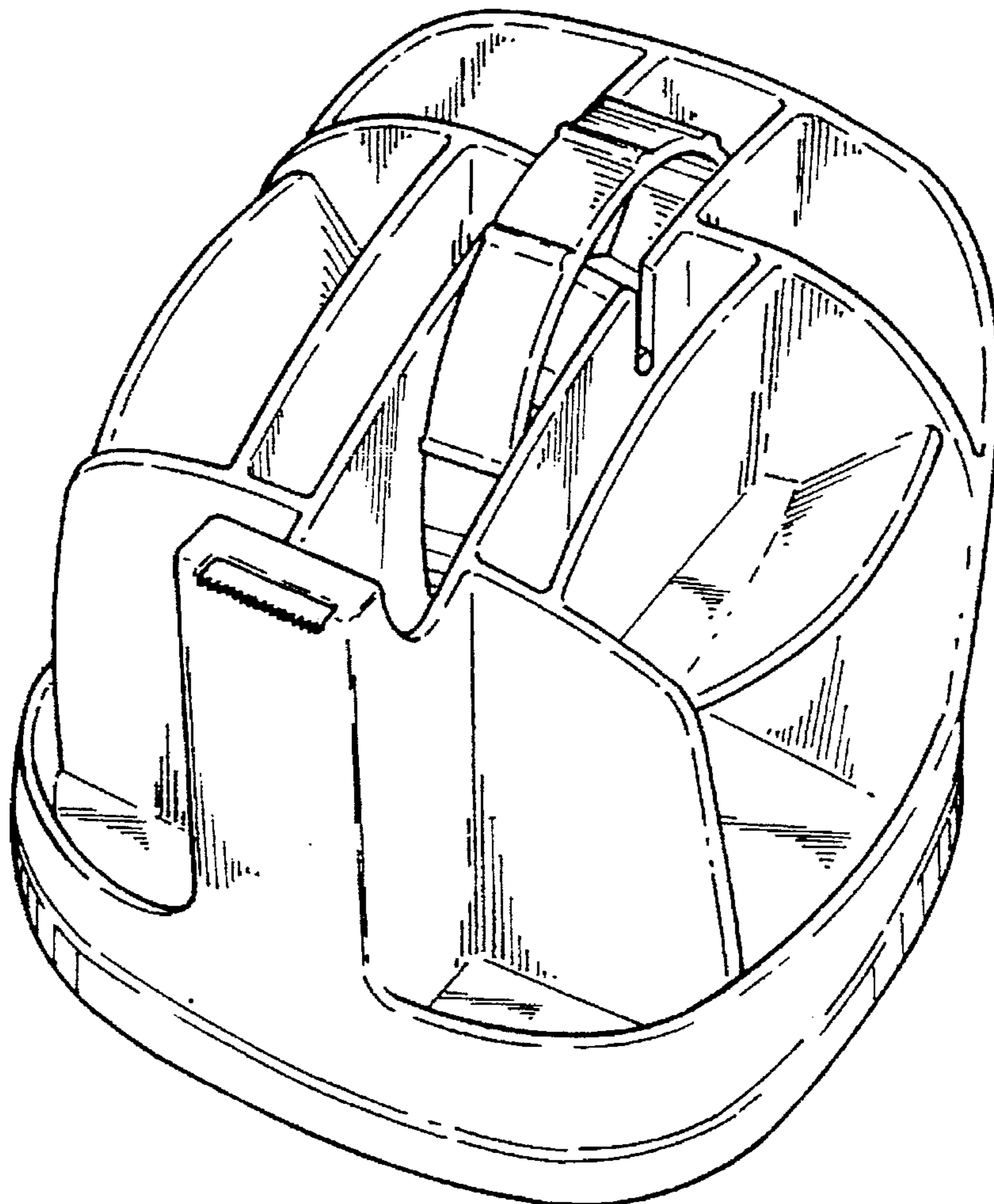
[57] **CLAIM**

The ornamental design for a stationery organizer, as shown and described.

DESCRIPTION

FIG. 1 is a perspective view of a stationery organizer showing my new design;
FIG. 2 is a front view thereof;
FIG. 3 is a rear view thereof;
FIG. 4 is a left side elevational view thereof;
FIG. 5 is a right side elevational view thereof;
FIG. 6 is a top plan view thereof; and,
FIG. 7 is a bottom plan view thereof.

1 Claim, 4 Drawing Sheets



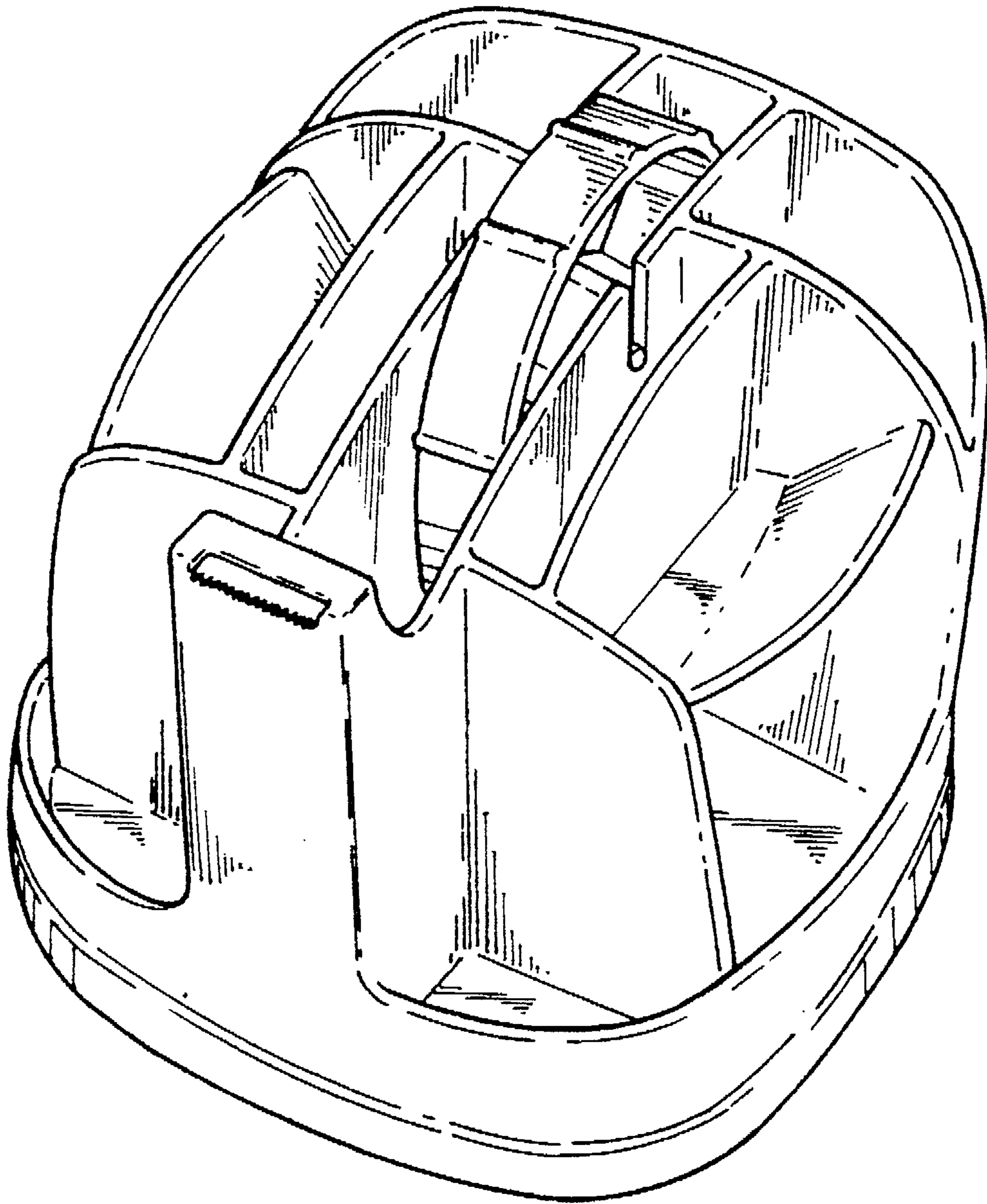


FIG. 1

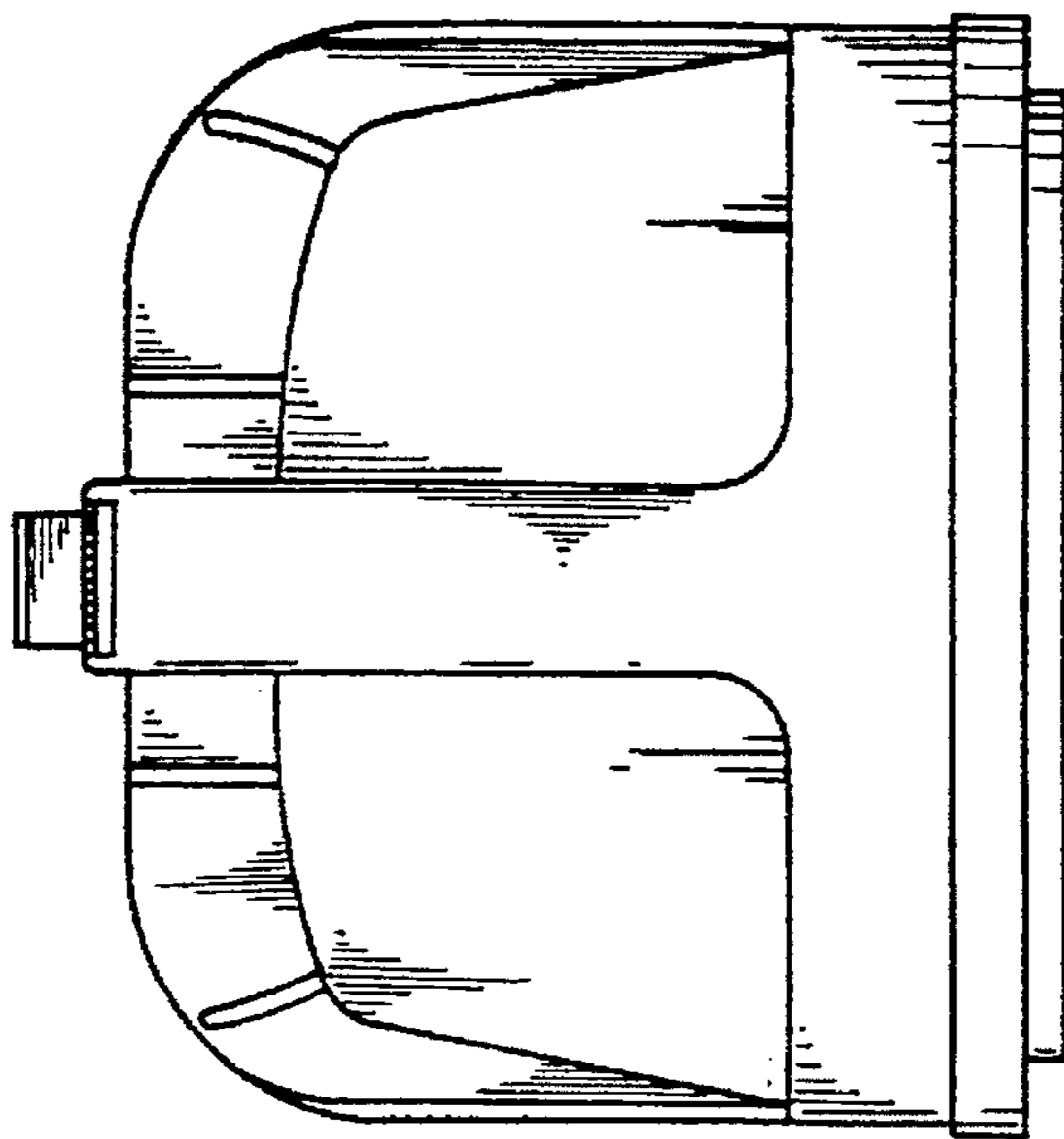


FIG. 2

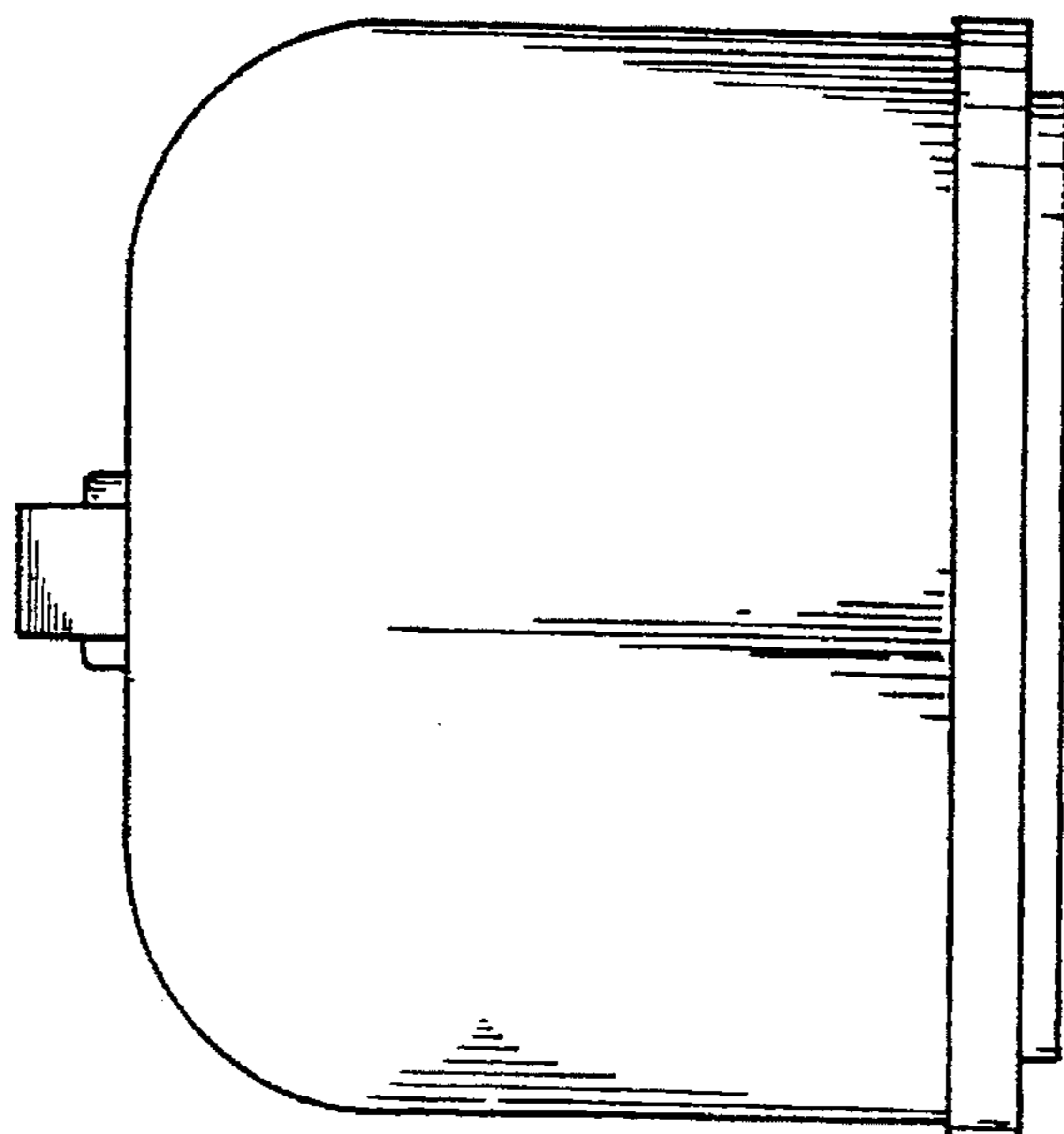


FIG. 3

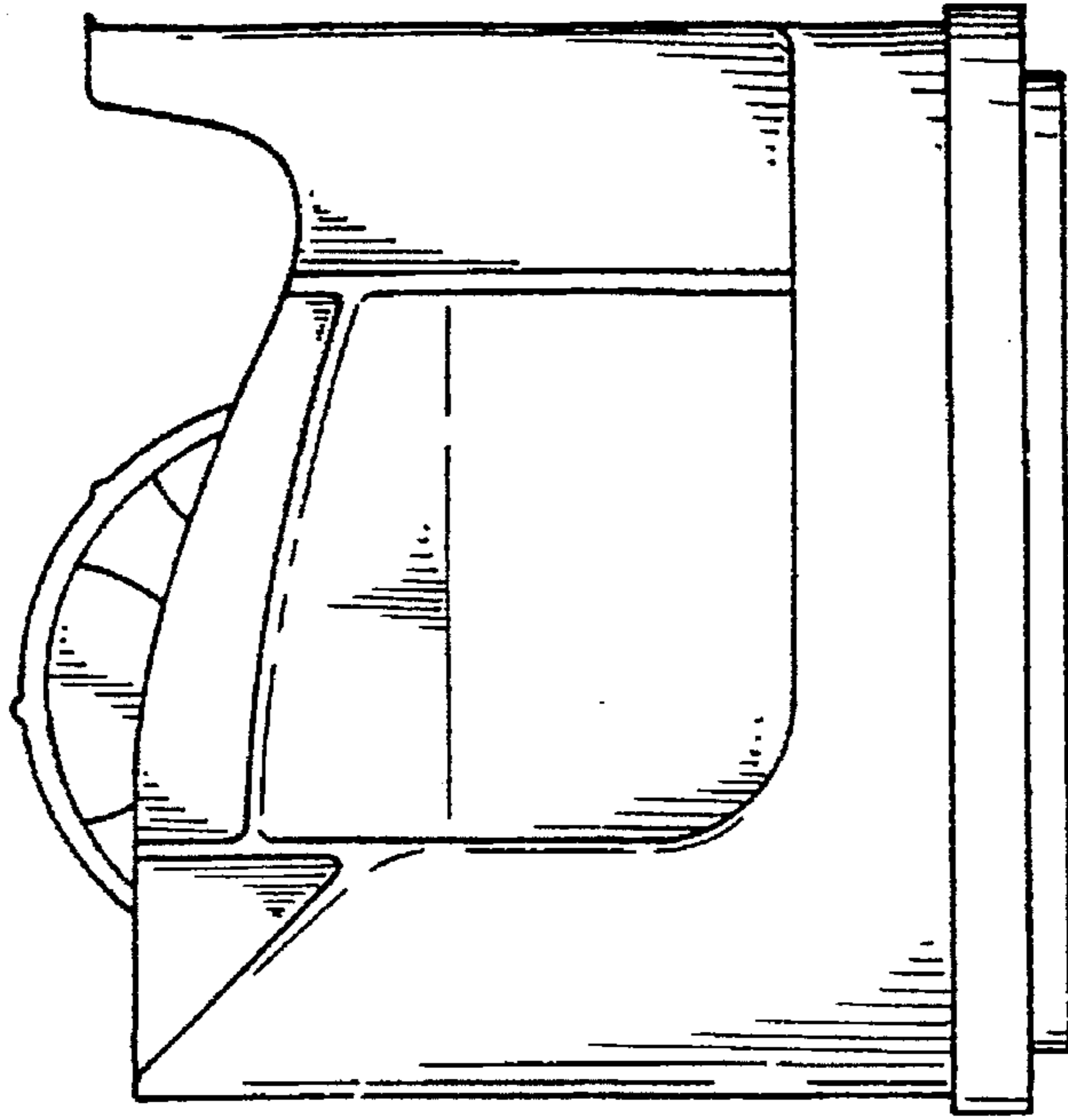


FIG. 4

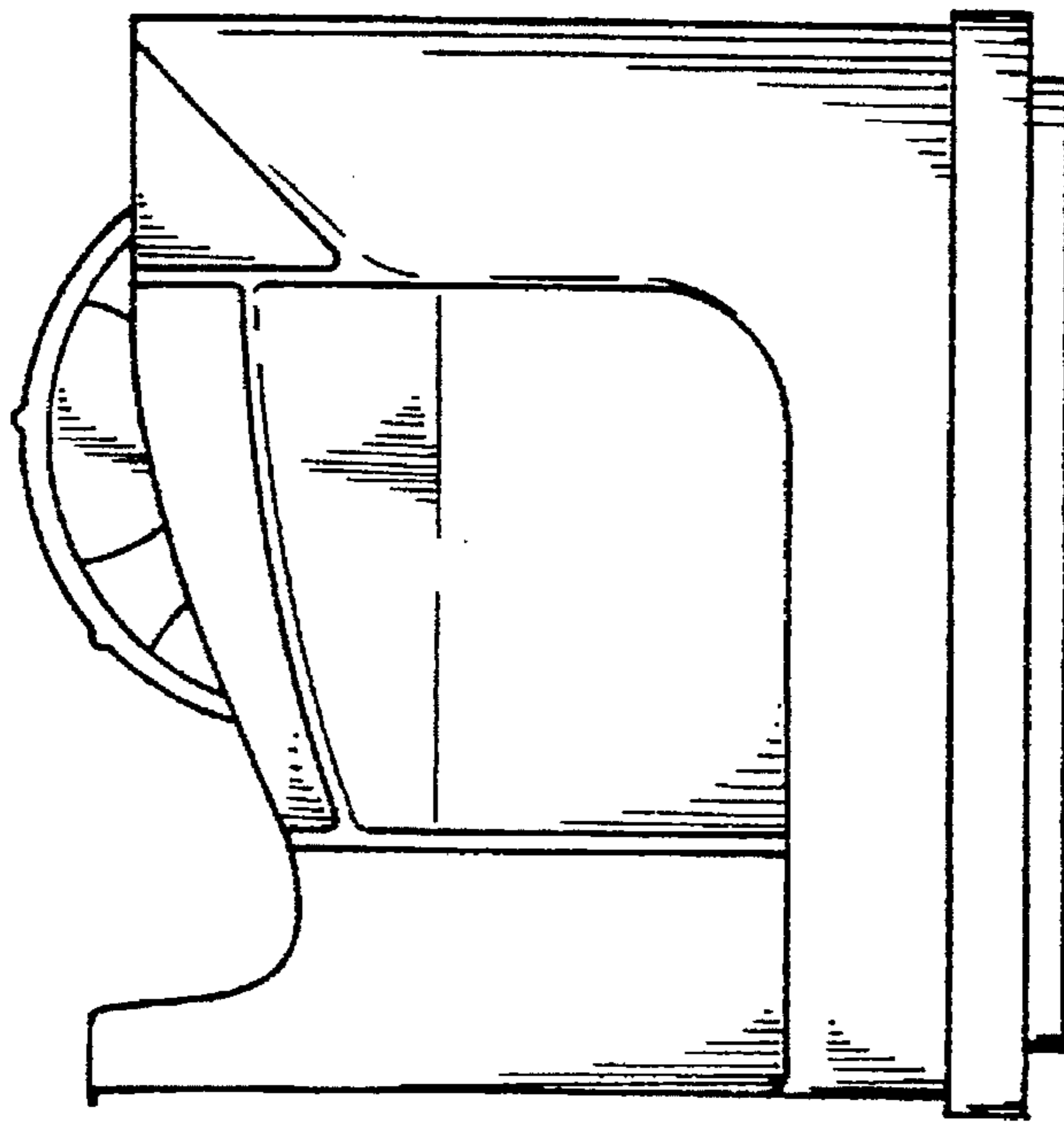


FIG. 5

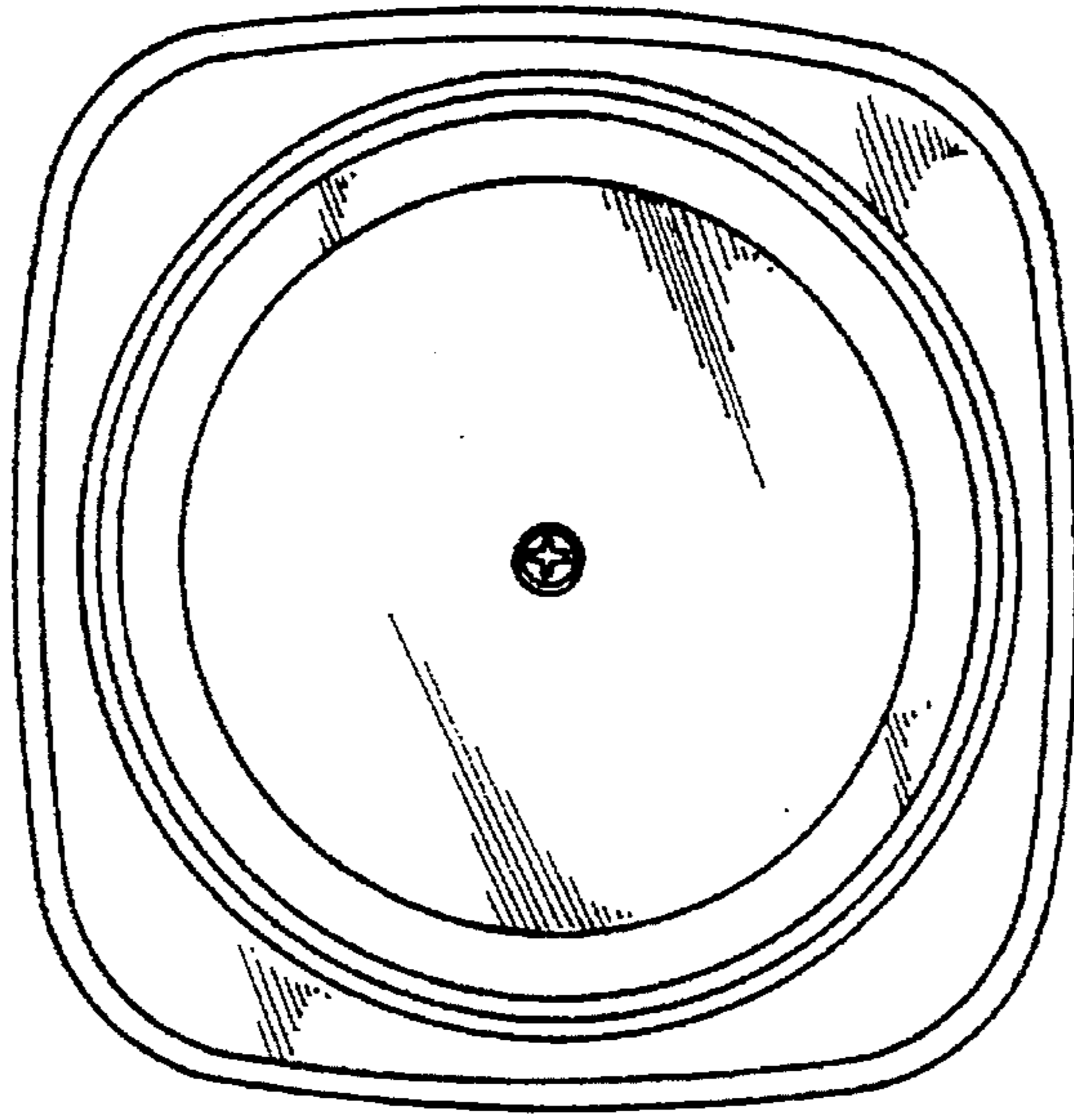


FIG. 7

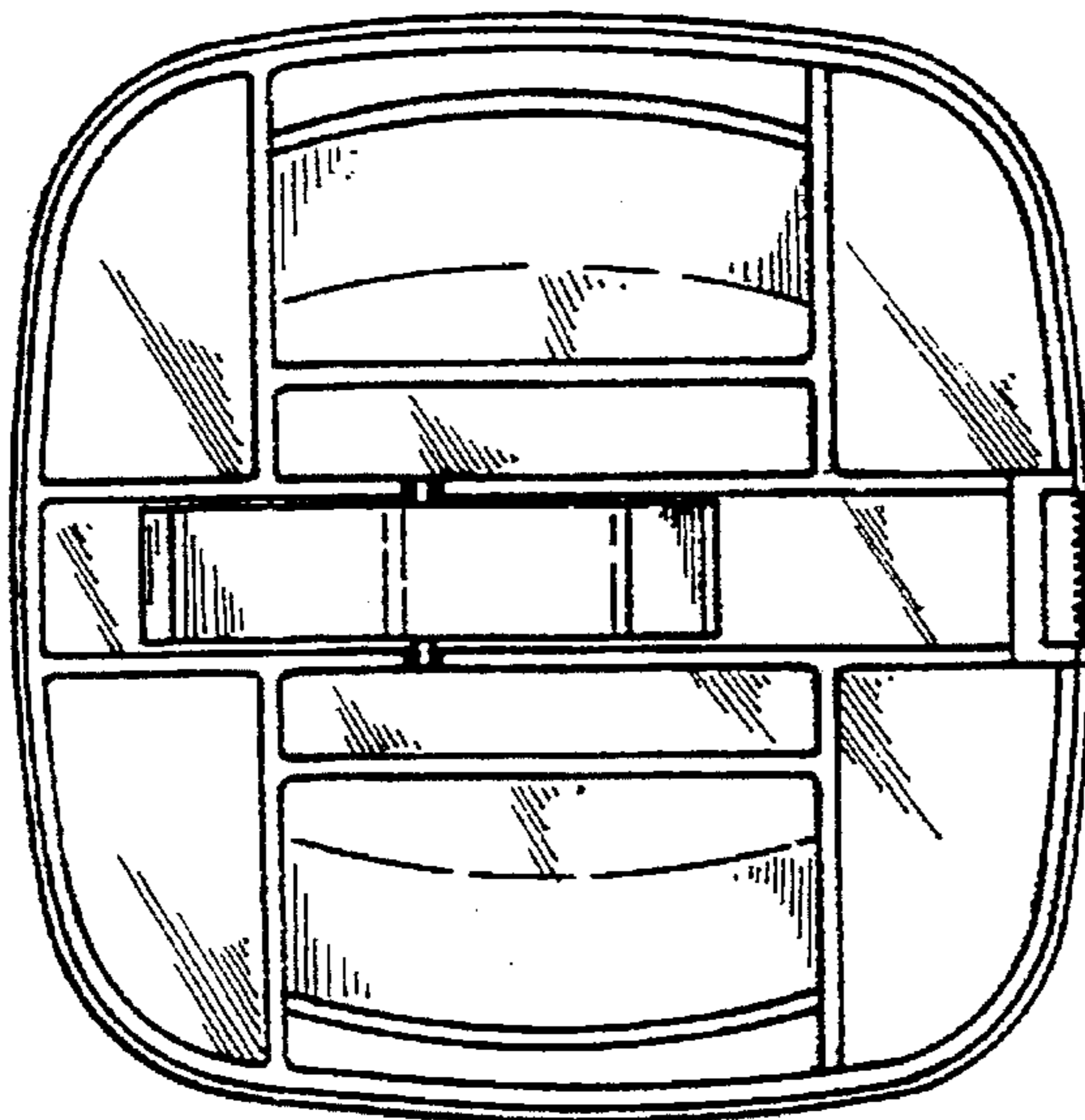


FIG. 6