



US00D381679S

United States Patent [19]

Dubson

[11] Patent Number: **Des. 381,679**

[45] Date of Patent: ****Jul. 29, 1997**

[54] **PRINTER CONTROL DEVICE WITH MATCHING PANELS**

[75] Inventor: **Paul T. Dubson**, Escondido, Calif.

[73] Assignee: **Hewlett-Packard Company**, Palo Alto, Calif.

[**] Term: **14 Years**

[21] Appl. No.: **35,693**

[22] Filed: **Mar. 6, 1995**

[51] LOC (6) Cl. **18-02**

[52] U.S. Cl. **D18/56; D19/65; D14/107**

[58] Field of Search D19/65, 75; D18/56, D18/15; D13/162, 164; D14/100, 105, 107, 114; 340/711; 400/88, 472, 477, 479, 680, 681; 235/145 R, 10; 200/5 A, 293, 303, 329, 512, 517

[56] **References Cited**

U.S. PATENT DOCUMENTS

- D. 146,805 5/1947 Millhauser D18/15 X
- D. 149,228 4/1948 Salsbury D19/75

- D. 290,969 7/1987 Sutou et al. D18/56
- D. 302,682 8/1989 Bloom et al. D14/107
- D. 330,385 10/1992 Umino D18/56 X
- D. 332,465 1/1993 Johnson et al. D18/56
- D. 363,274 10/1995 Pangburn D14/107

Primary Examiner—Martie Thompson

[57] **CLAIM**

The ornamental design for a printer control device with matching panels, as shown and described.

DESCRIPTION

FIG. 1 is a perspective view illustrating my new printer control device with matching panels design;
 FIG. 2 is a perspective view of a second embodiment of my design of FIG. 1, all other views being identical to FIGS. 3 through 8 with the exception of the color designations;
 FIG. 3 is a front elevational view of FIG. 1;
 FIG. 4 is a rear elevational view of FIG. 1;
 FIG. 5 is a top plan view of FIG. 1;
 FIG. 6 is a bottom plan view of FIG. 1;
 FIG. 7 is a right side elevational view of FIG. 1; and,
 FIG. 8 is a left side elevational view of FIG. 1.

1 Claim, 4 Drawing Sheets

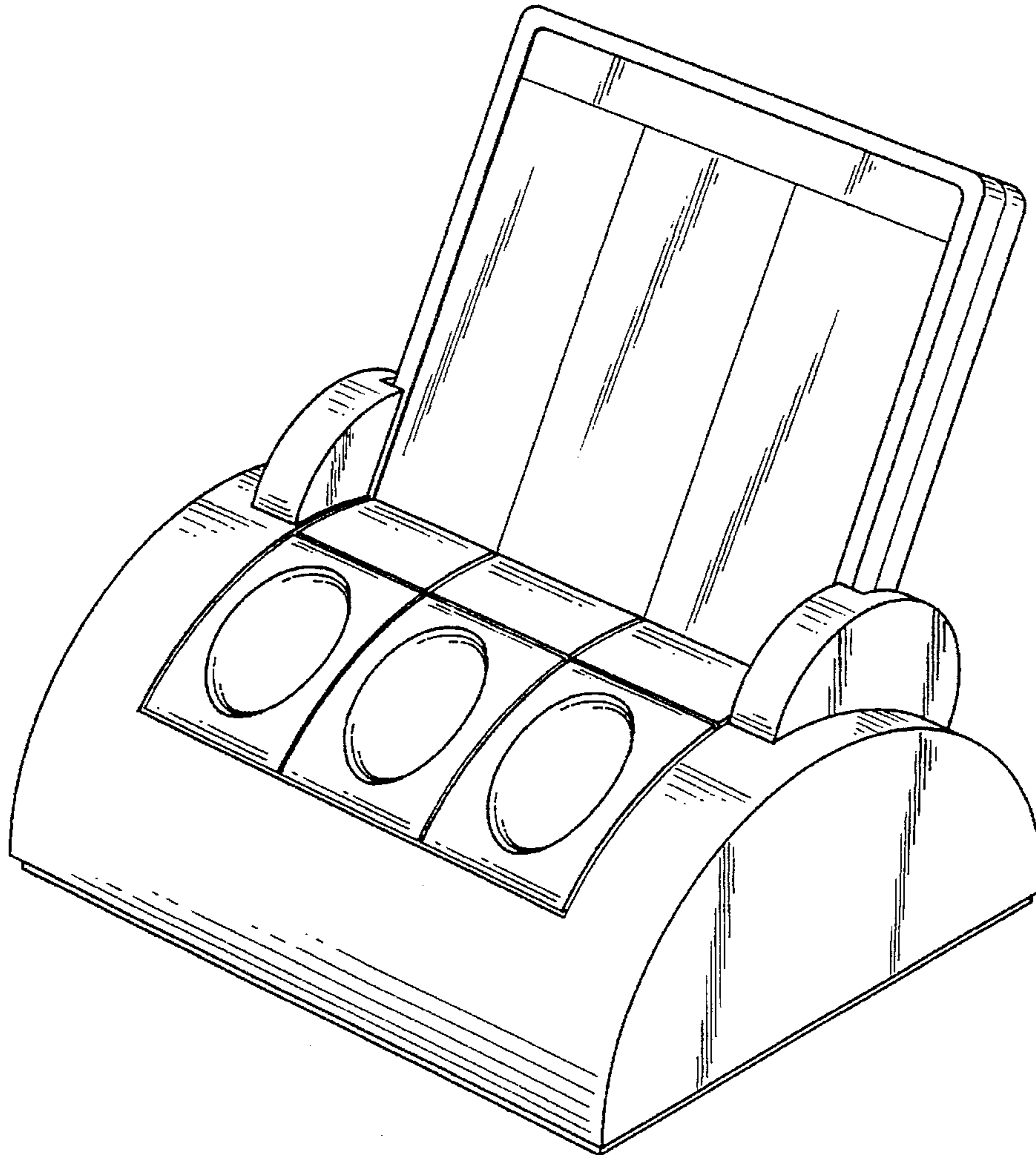


FIG. 1

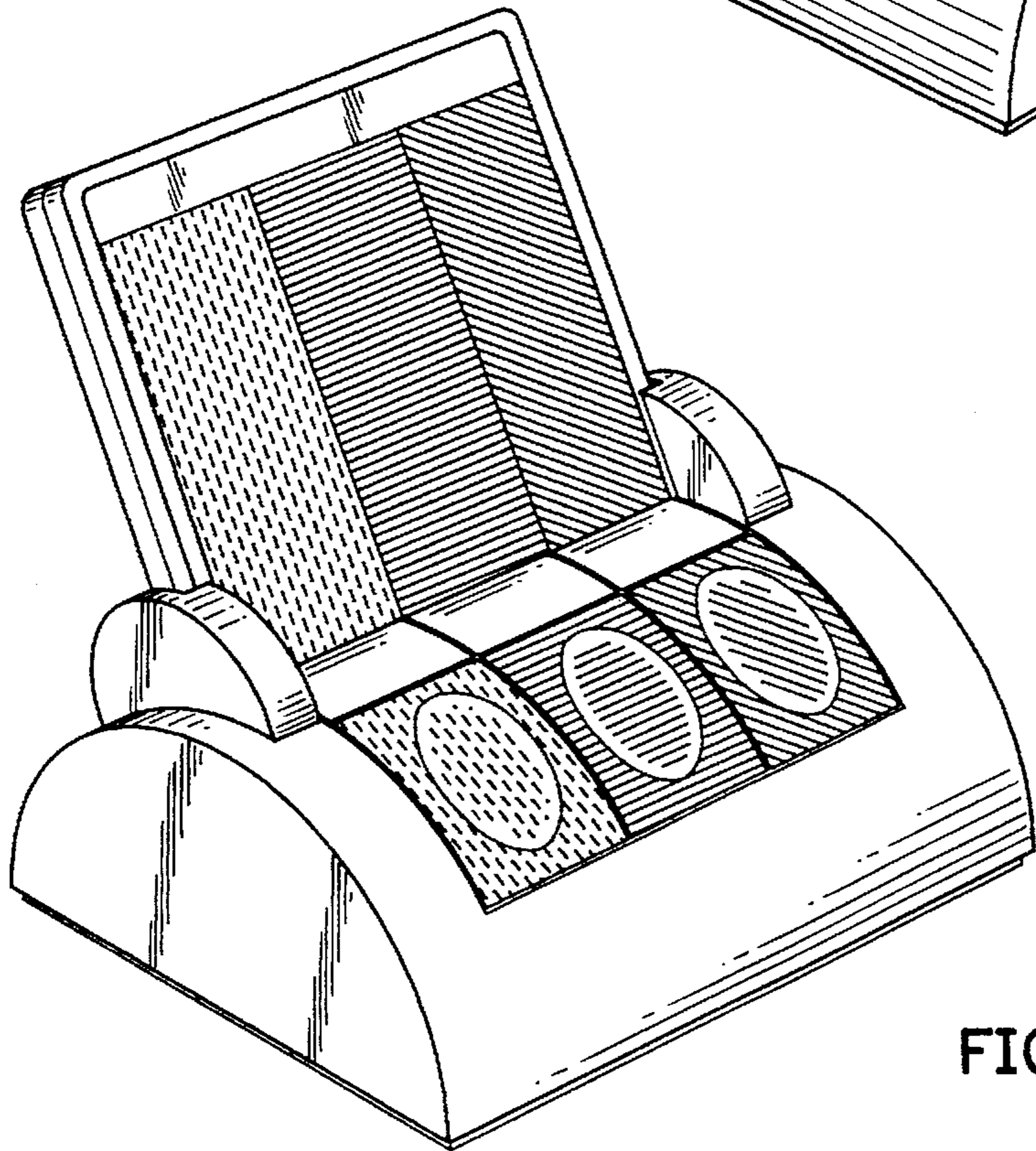
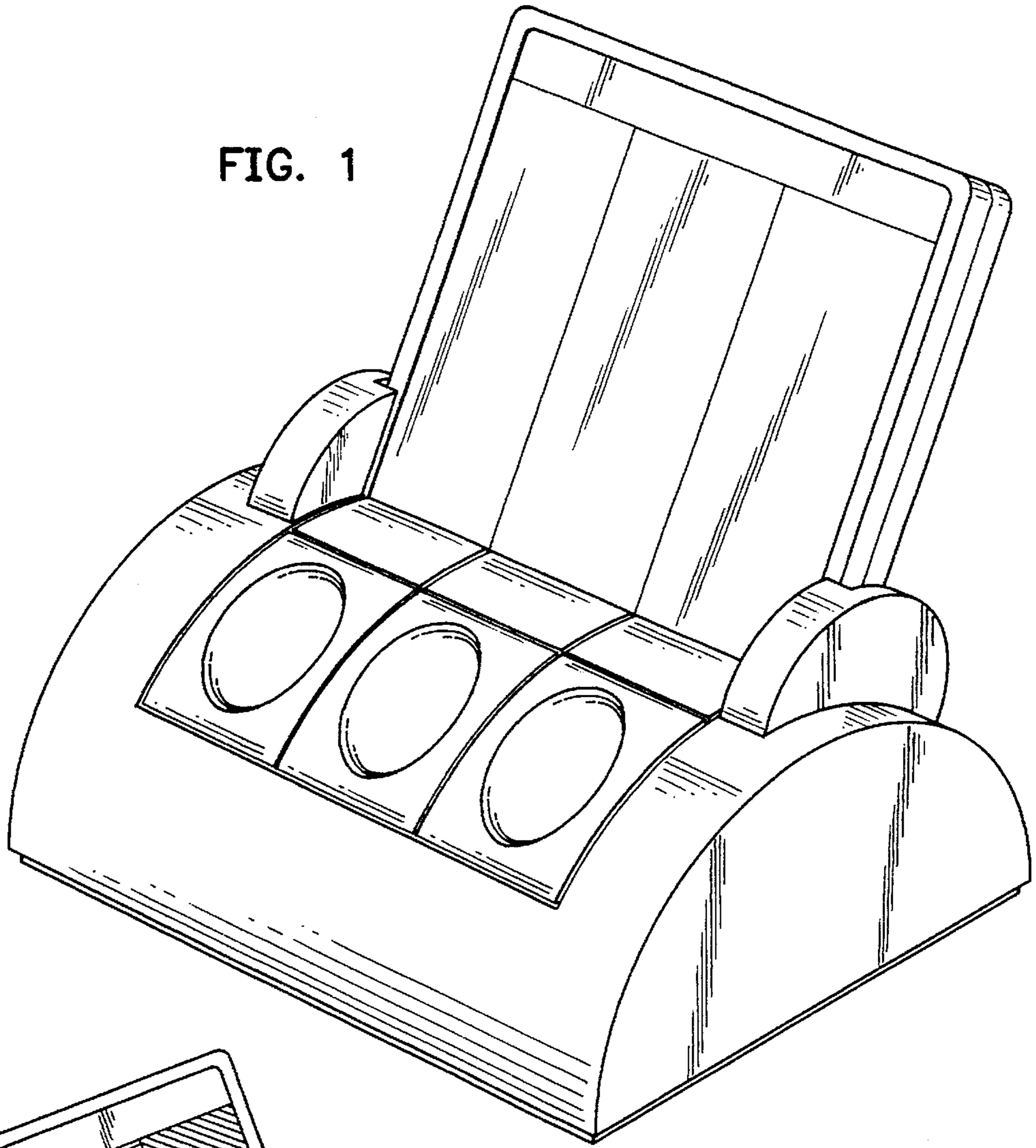


FIG. 2

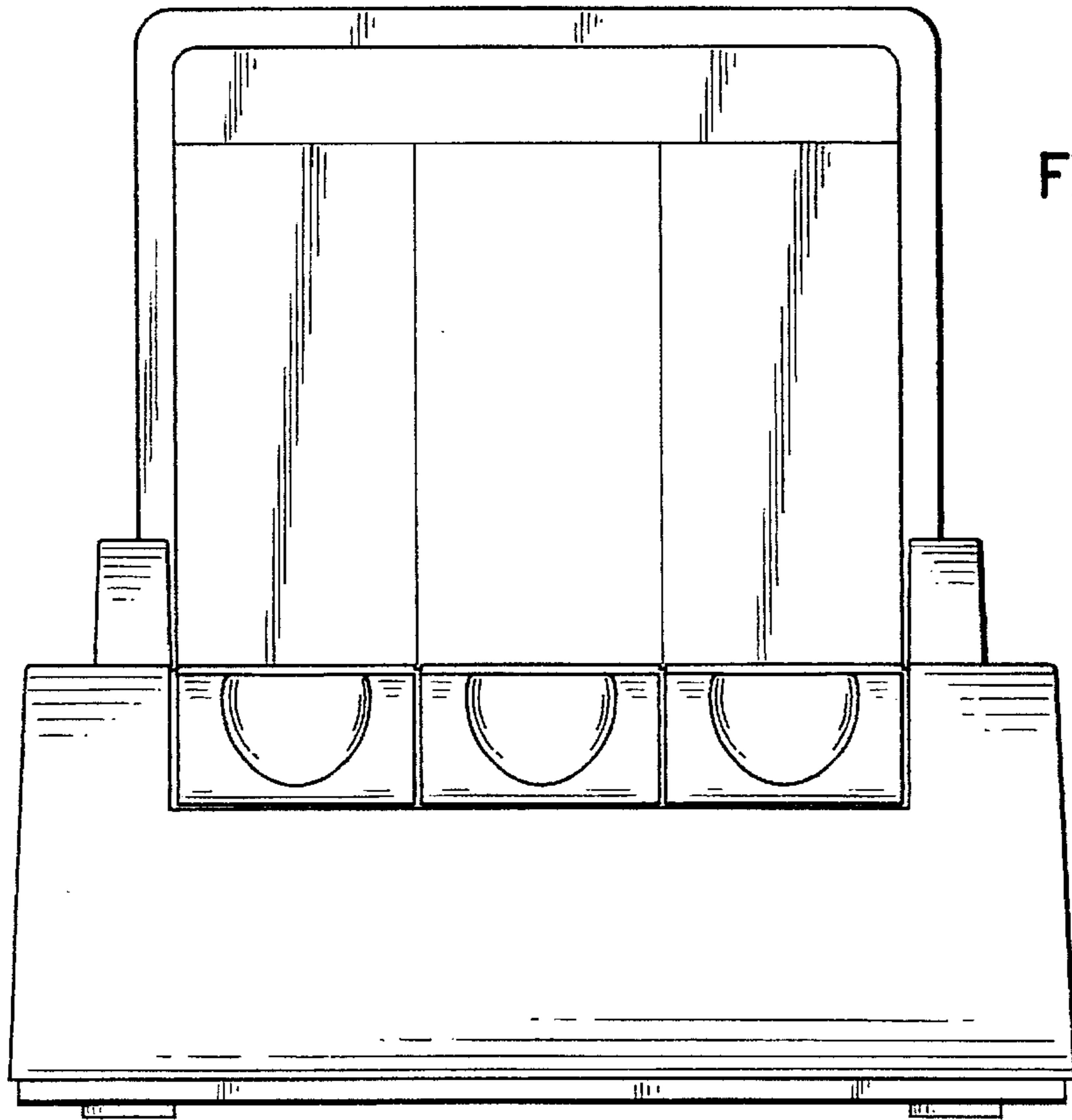


FIG. 3

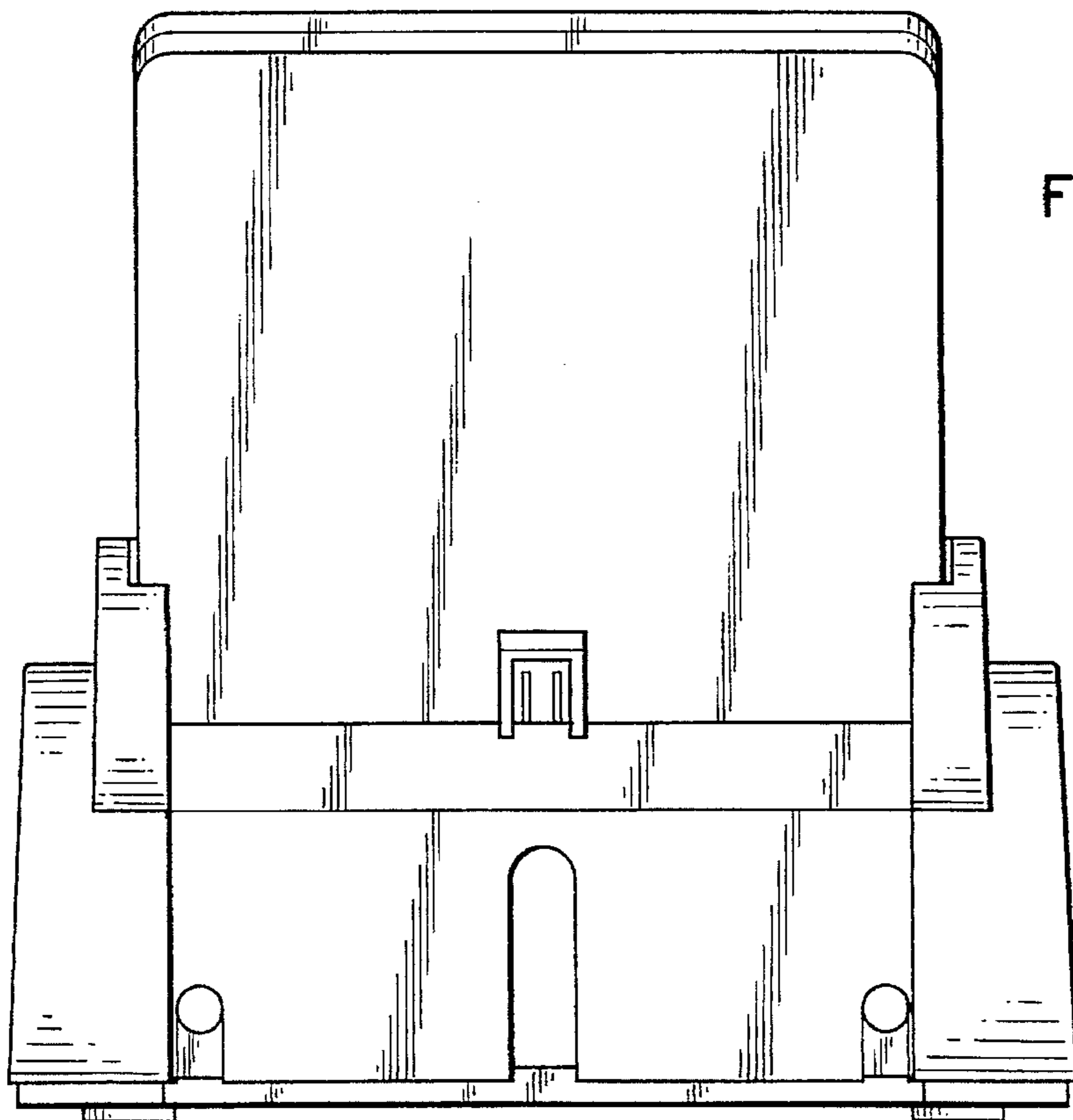


FIG. 4

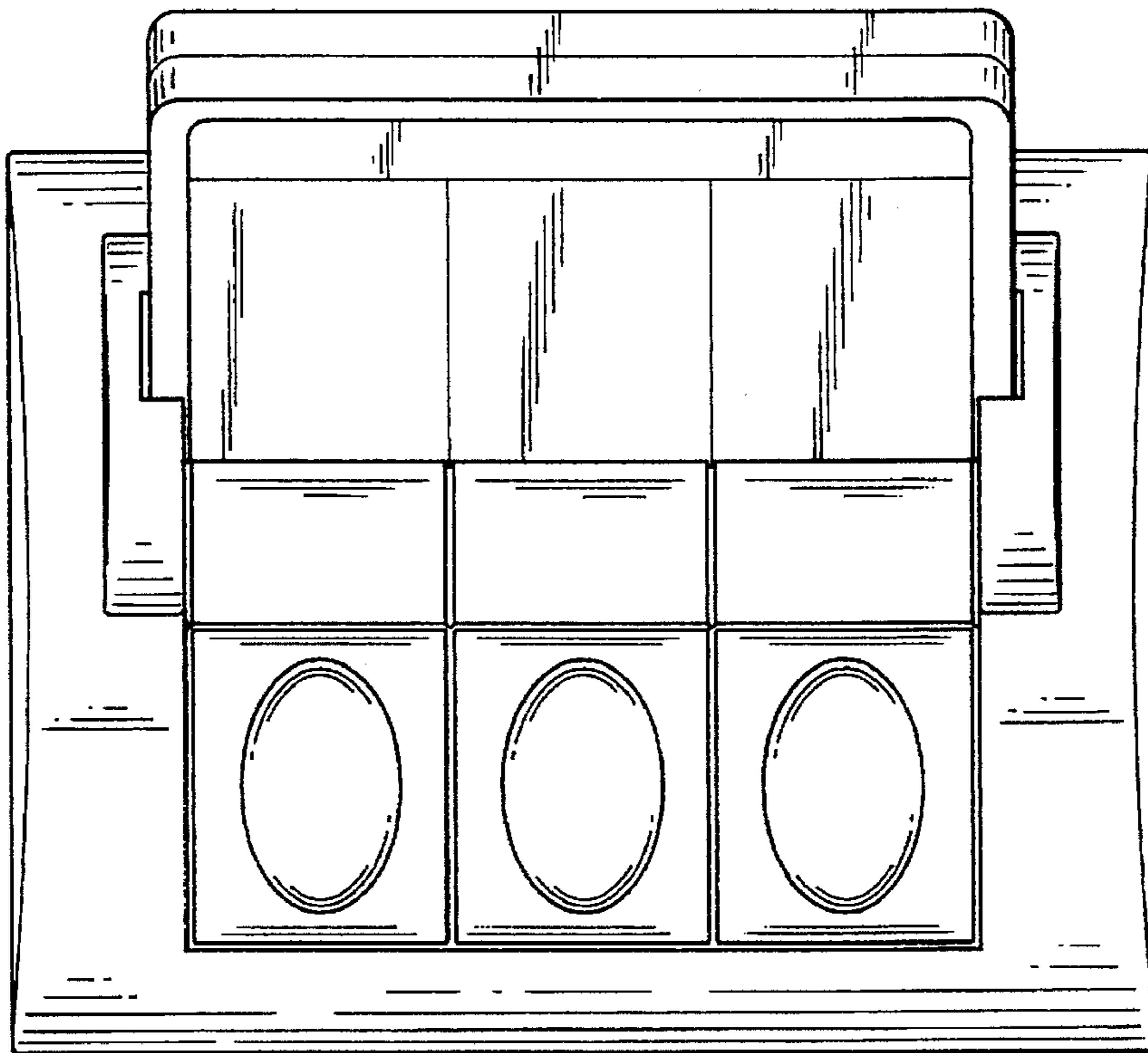


FIG. 5

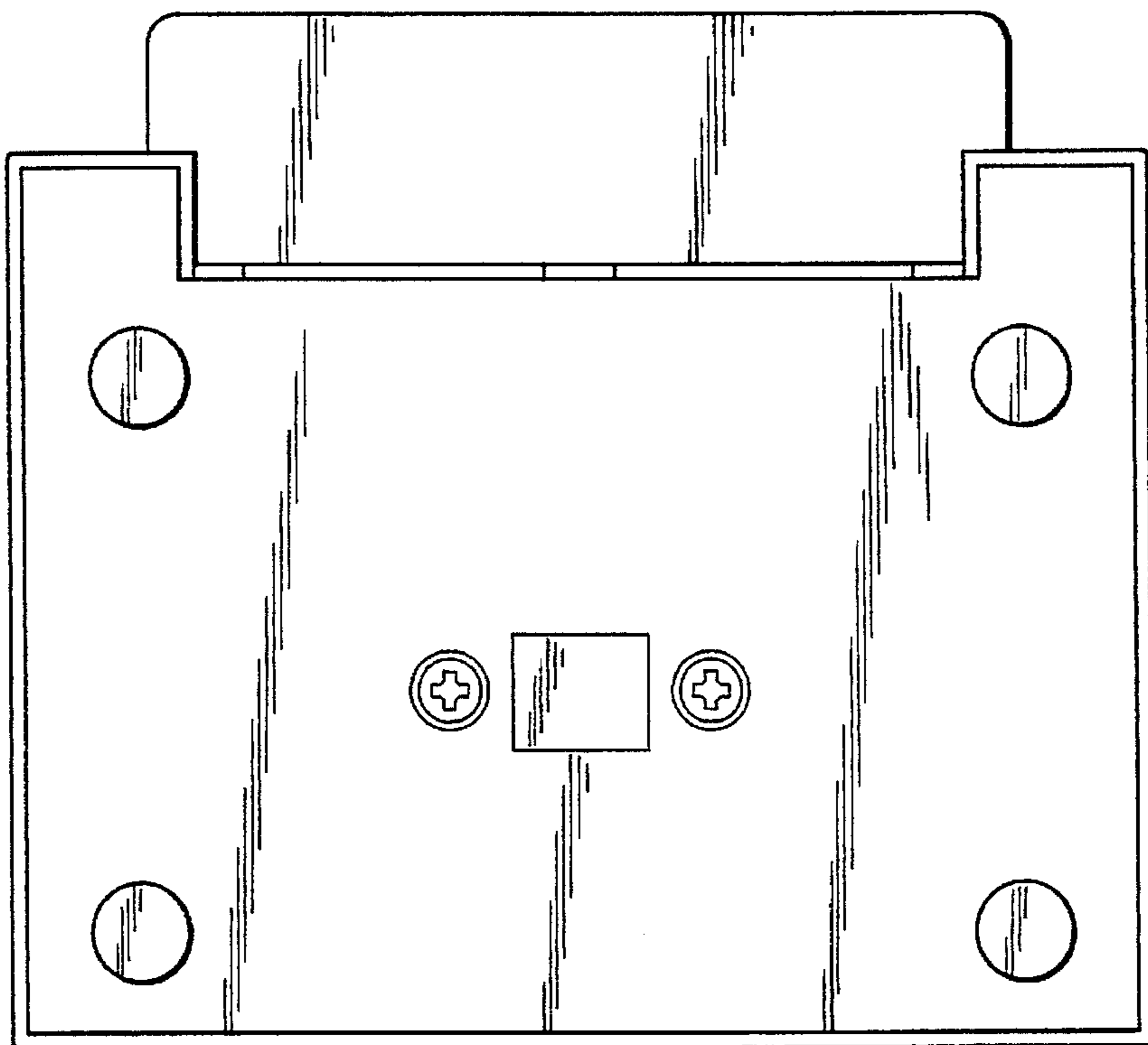


FIG. 6

FIG. 7

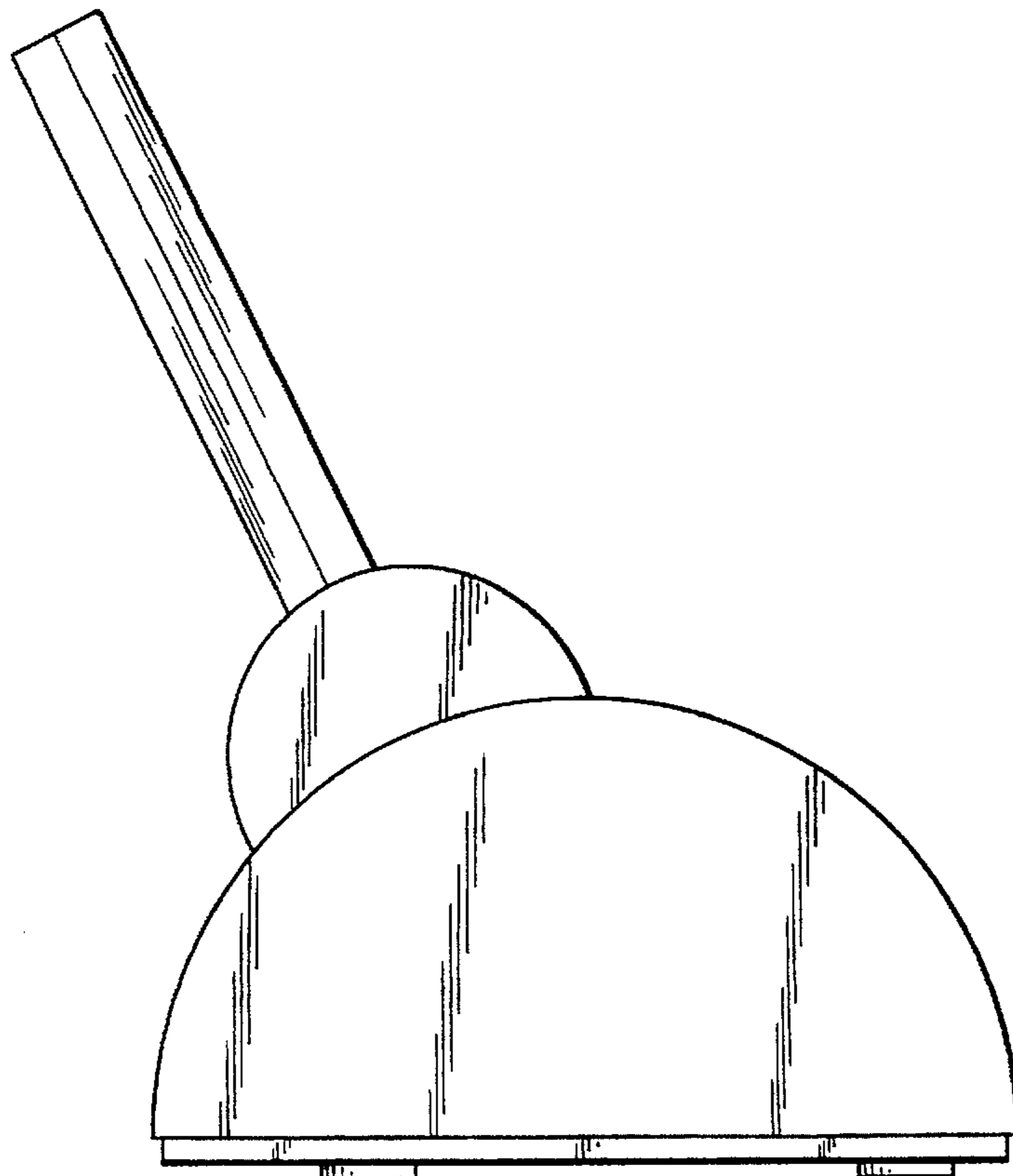
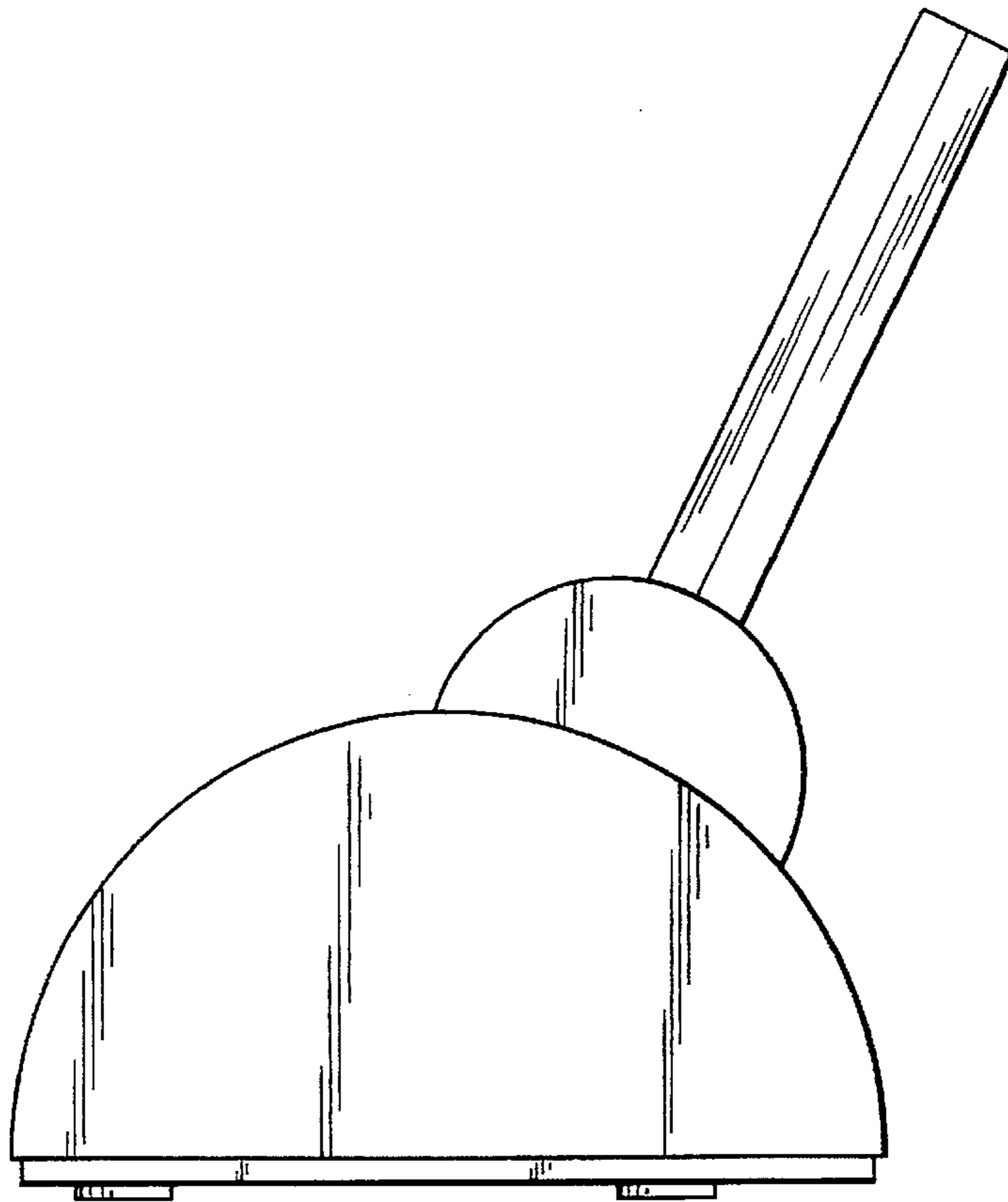


FIG. 8