



US00D381676S

United States Patent [19]

Loh et al.

[11] Patent Number: **Des. 381,676**

[45] Date of Patent: ****Jul. 29, 1997**

[54] **OUTER SURFACES OF A RETRACTABLE COVER FOR A HAND HELD CALCULATOR**

[75] Inventors: **Philip Kwok Nan Loh; Soo Huat Quek**, both of Singapore, Singapore

[73] Assignee: **Hewlett-Packard Company**, Palo Alto, Calif.

[**] Term: **14 Years**

[21] Appl. No.: **33,222**

[22] Filed: **Dec. 23, 1994**

[51] LOC (6) Cl. **18-01**

[52] U.S. Cl. **D18/12**

[58] Field of Search D18/1, 2, 6, 7, D18/11, 12; 235/61 PL, 61 R, 61 S, 63 A, 63 R, 99 R, 1 R, 1 A, 1 D; D14/100, 106, 107; 248/13; 224/151, 219; 206/320; 364/706-710; 340/365, 700

[56] **References Cited**

U.S. PATENT DOCUMENTS

D. 243,329	2/1977	Snarski	D18/7 X
D. 269,278	6/1983	Yoshioka et al.	D18/7
D. 283,137	3/1986	Hamar	D18/2
D. 283,138	3/1986	Hamar	D18/11
D. 306,176	2/1990	Yubisui et al.	D18/7

D. 330,907	11/1992	Burke	D18/7
4,165,554	8/1979	Faget	16/114
4,259,568	3/1981	Dynesen	235/1 D
4,596,923	6/1986	Kuo	235/1 D
4,703,160	10/1987	Narishima et al.	235/1 D
4,989,926	2/1991	Snow, Jr.	312/208
5,128,829	7/1992	Loew	361/380

Primary Examiner—James Gandy
Assistant Examiner—Caron D. Veynar

[57] **CLAIM**

The ornamental design for outer surfaces of a retractable cover for a hand held calculator, as shown and described.

DESCRIPTION

FIG. 1 is a perspective top frontal view of outer surfaces of a retractable cover for a hand held calculator showing our new design;

FIG. 2 is a perspective top rear view thereof;

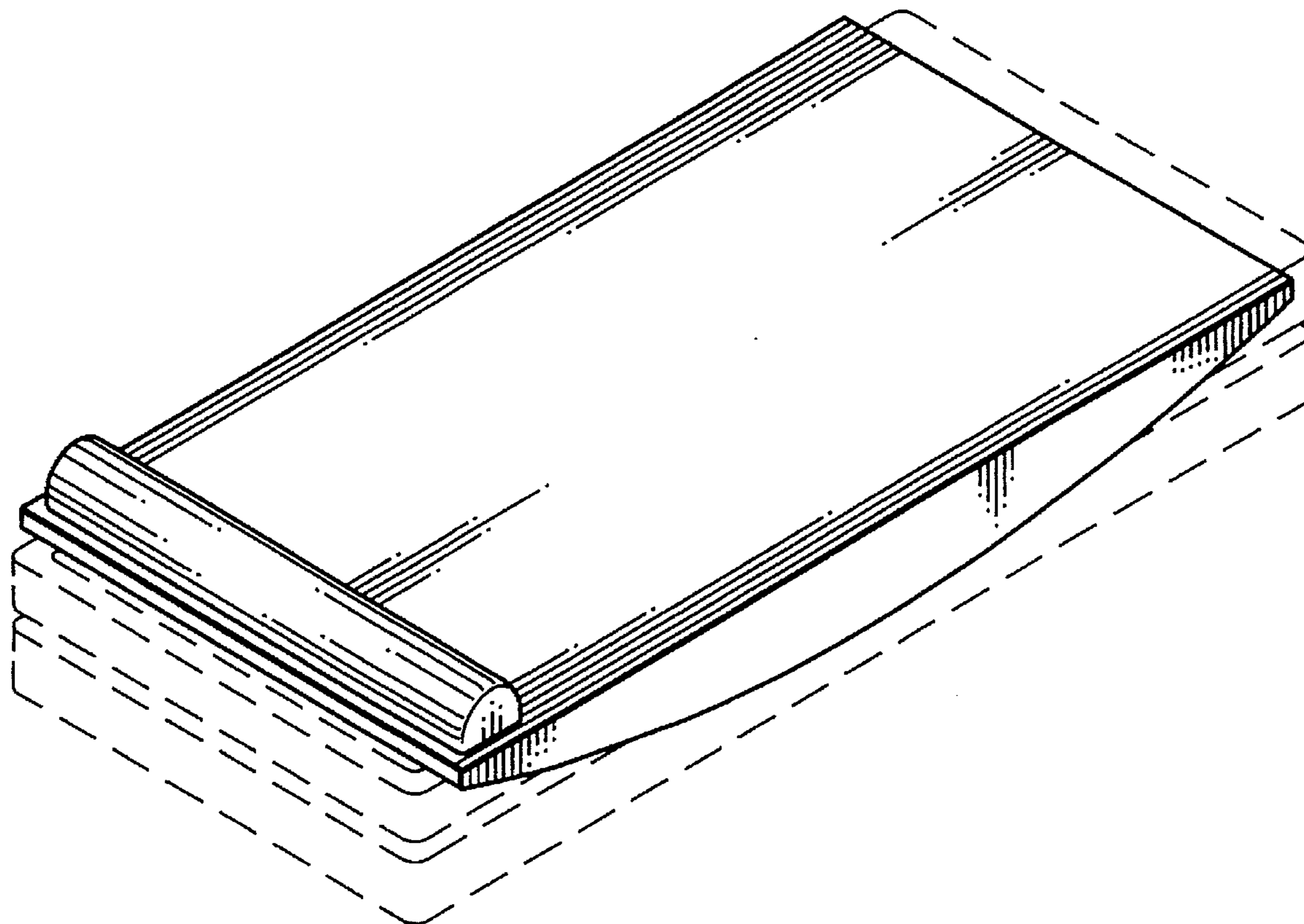
FIG. 3 is a top plan view thereof, the opposite bottom surface being plain and unornamental;

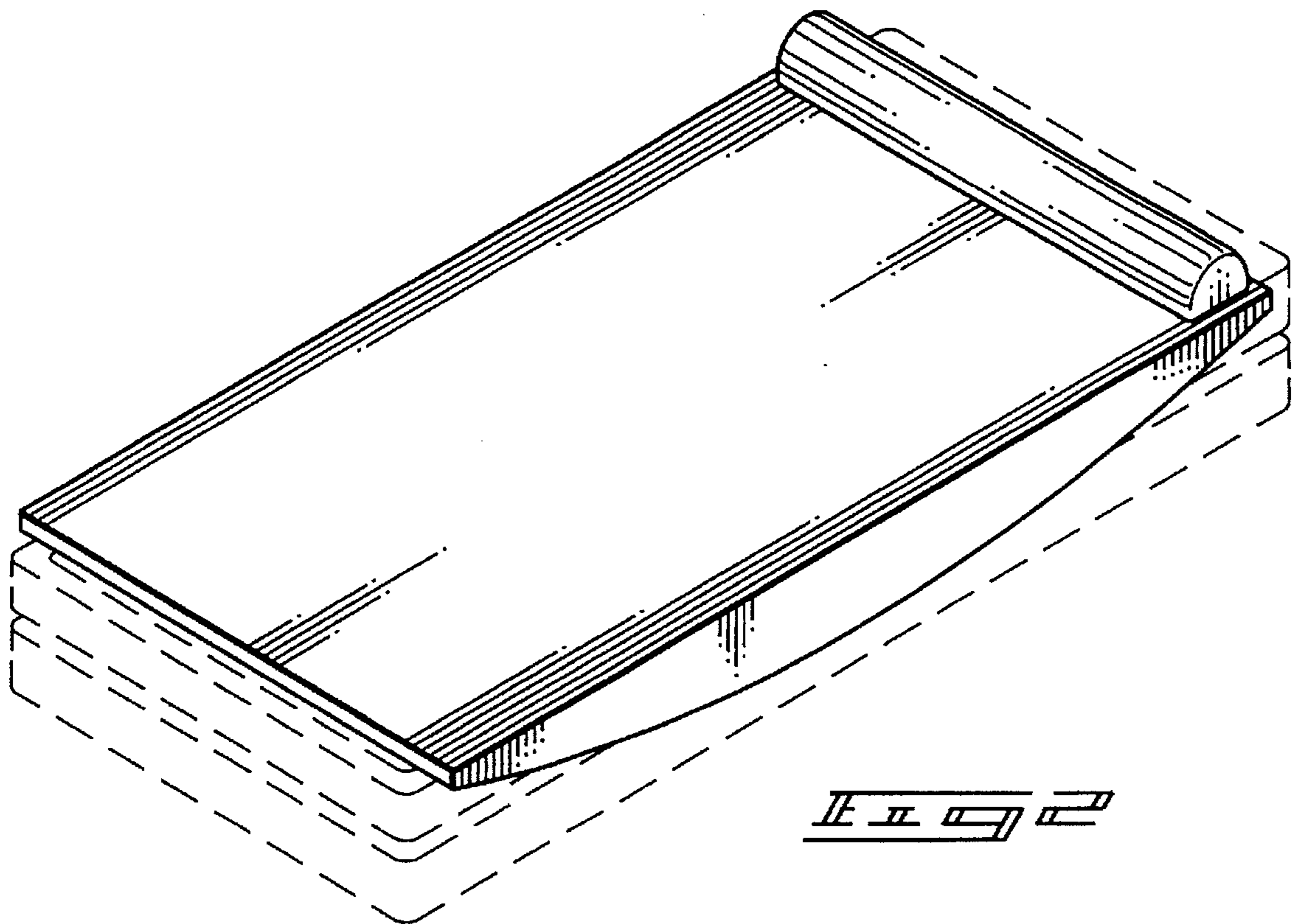
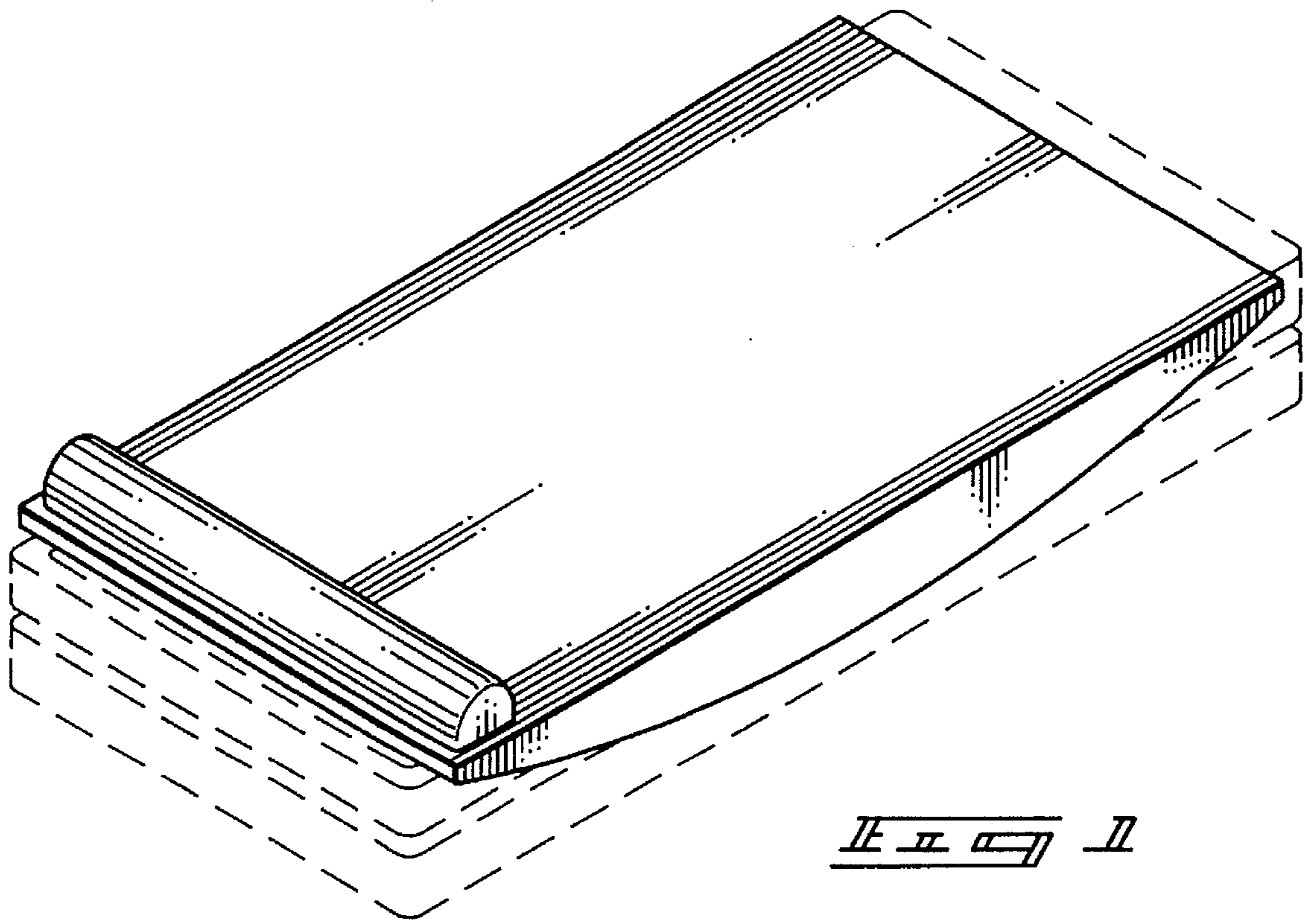
FIG. 4 is a front end elevation view thereof, the opposite rear end elevation view being a mirror image thereof; and,

FIG. 5 is a side elevation view thereof, the opposite side elevation view being a mirror image thereof.

Broken lines are shown for illustration purposes and form no part of the claimed ornamental design.

1 Claim, 2 Drawing Sheets





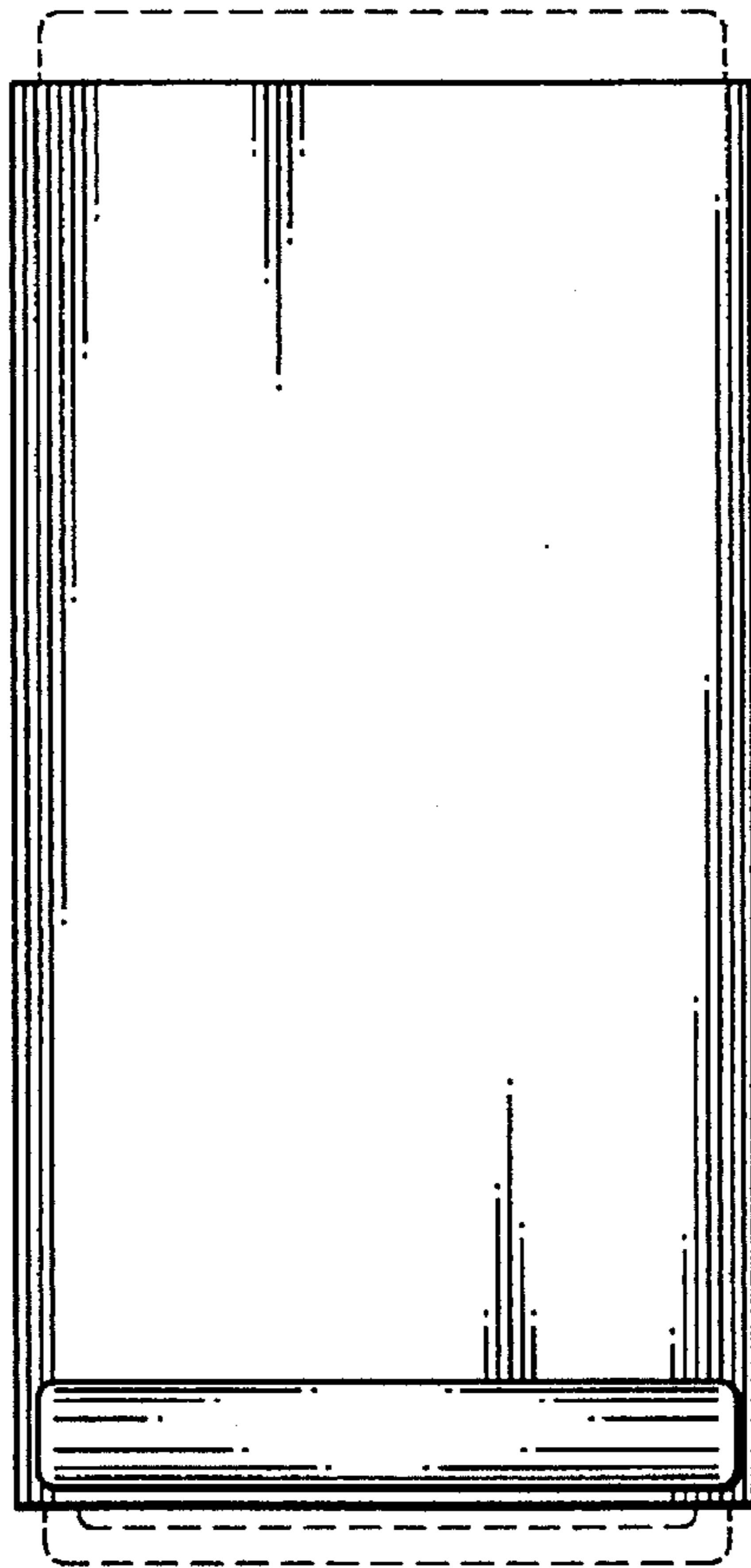


FIG. 3

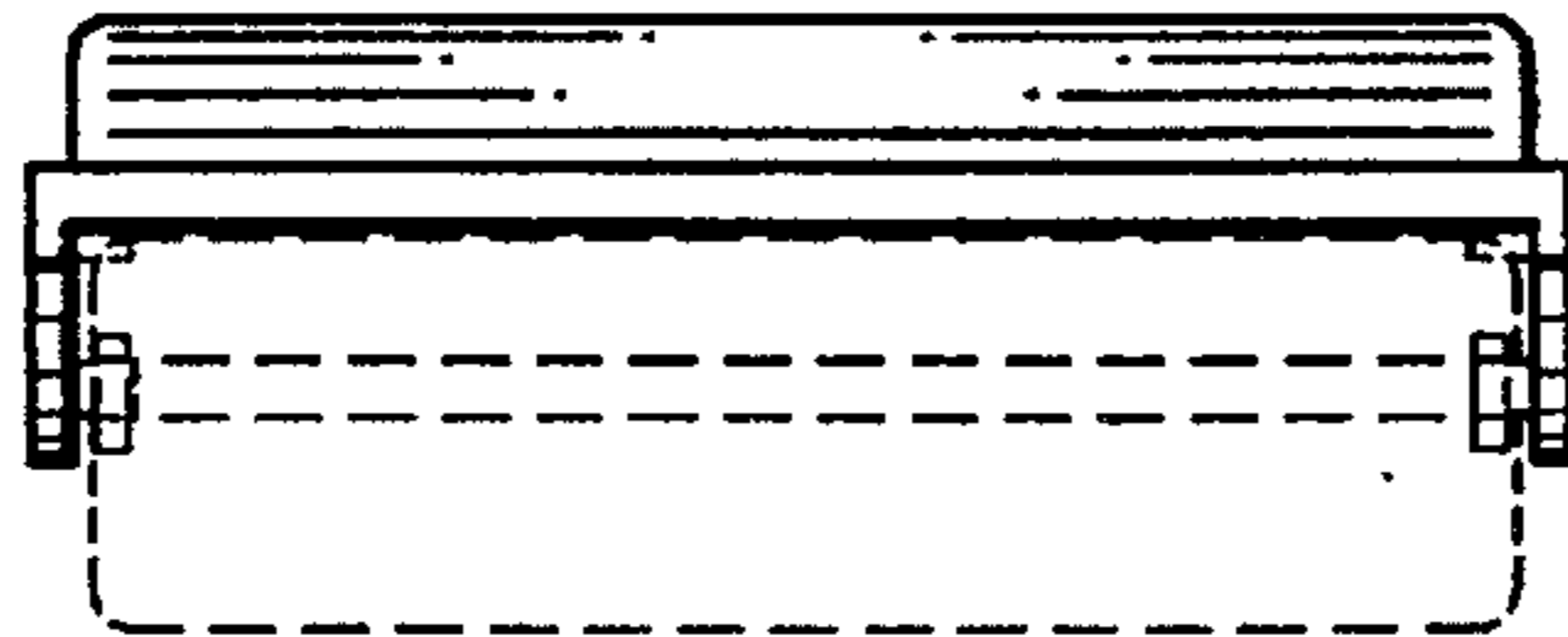


FIG. 4

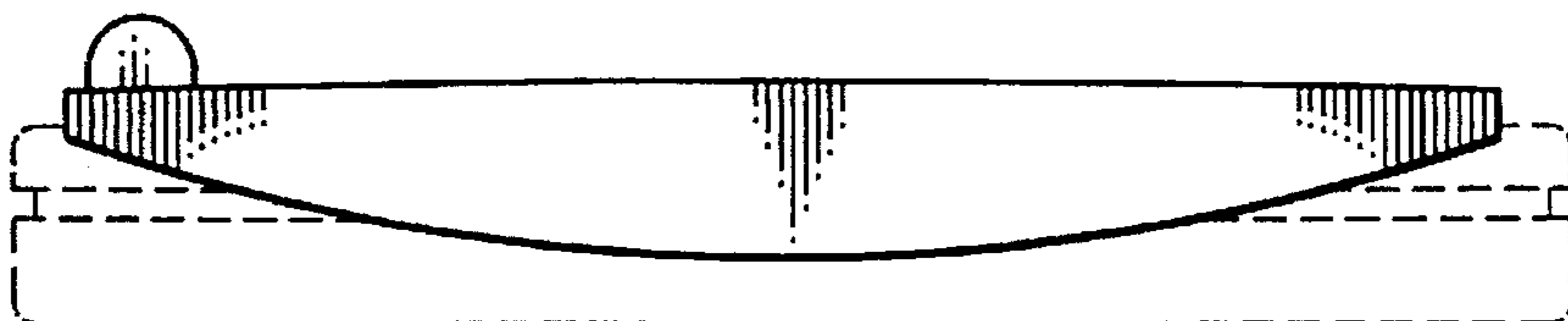


FIG. 5