



US00D381675S

United States Patent [19]

Droege et al.

[11] Patent Number: Des. 381,675

[45] Date of Patent: **Jul. 29, 1997

[54] POINT OF SALE TERMINAL

[75] Inventors: **Harmut Droege**, Stuttgart; **Ludwig Fischer**, Herrenberg; **Wolfgang Fischer**, Boeblingen; **D. Walter Hinz**, Garching; **Tayssir Scheib**, Schondorf; **Dieter Sonntag**, Schoenaich, all of Germany

[73] Assignee: **IBM Corporation**, Armonk, N.Y.

[**] Term: **14 Years**

[21] Appl. No.: **39,471**

[22] Filed: **May 18, 1995**

[30] Foreign Application Priority Data

Dec. 8, 1994 [DE] Germany M 94 09 513.2

[51] LOC (6) Cl. **18-01**

[52] U.S. Cl. **D18/4; D14/105**

[58] Field of Search D18/4, 7; D14/100, D14/105, 113; 235/1 D, 1 E, 2, 4, 7 R, 10, 375, 379, 380, 419; 364/404, 405

[56] References Cited

U.S. PATENT DOCUMENTS

D. 167,463 8/1952 Johnson D14/114

D. 298,536	11/1988	Brefka	D14/105
D. 307,890	5/1990	Kim	D14/100
D. 311,178	10/1990	Goodner	D18/4
D. 323,085	1/1992	Konkel	D14/114 X
D. 356,074	3/1995	Coblentz et al.	D14/114
D. 364,386	11/1995	Bramlett et al.	D14/105

Primary Examiner—Nelson C. Holtje
Assistant Examiner—Caron D. Veynar
Attorney, Agent, or Firm—Jeanine S. Ray-Yarletts

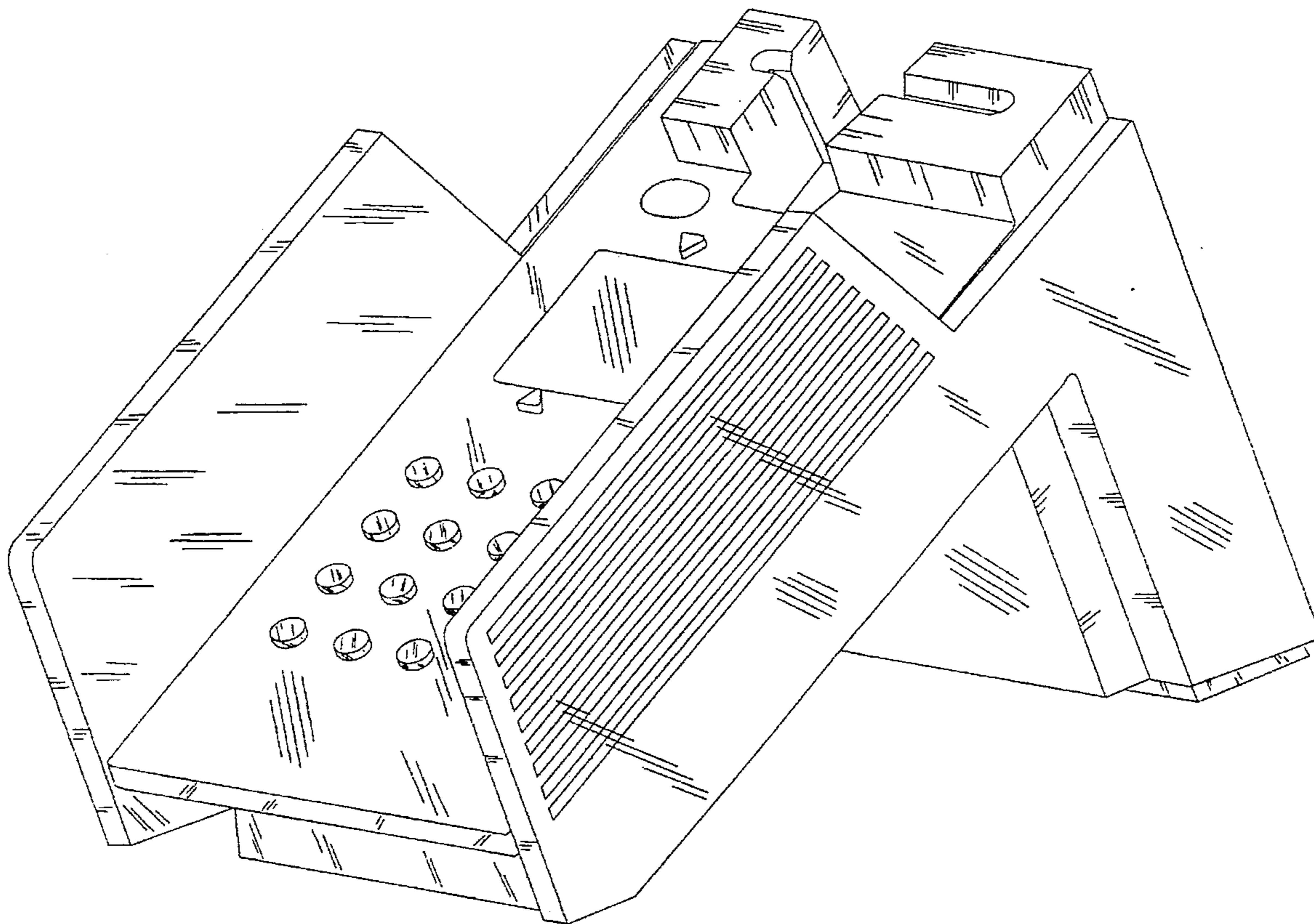
[57] CLAIM

The ornamental design for a point of sale terminal, as shown and described.

DESCRIPTION

FIG. 1 shows a perspective view front and right side view; FIG. 2 shows a top view; FIG. 3 shows a right side view; FIG. 4 shows a left side view; FIG. 5 shows a bottom view; FIG. 6 shows a rear view; and, FIG. 7 shows a front view.

1 Claim, 7 Drawing Sheets



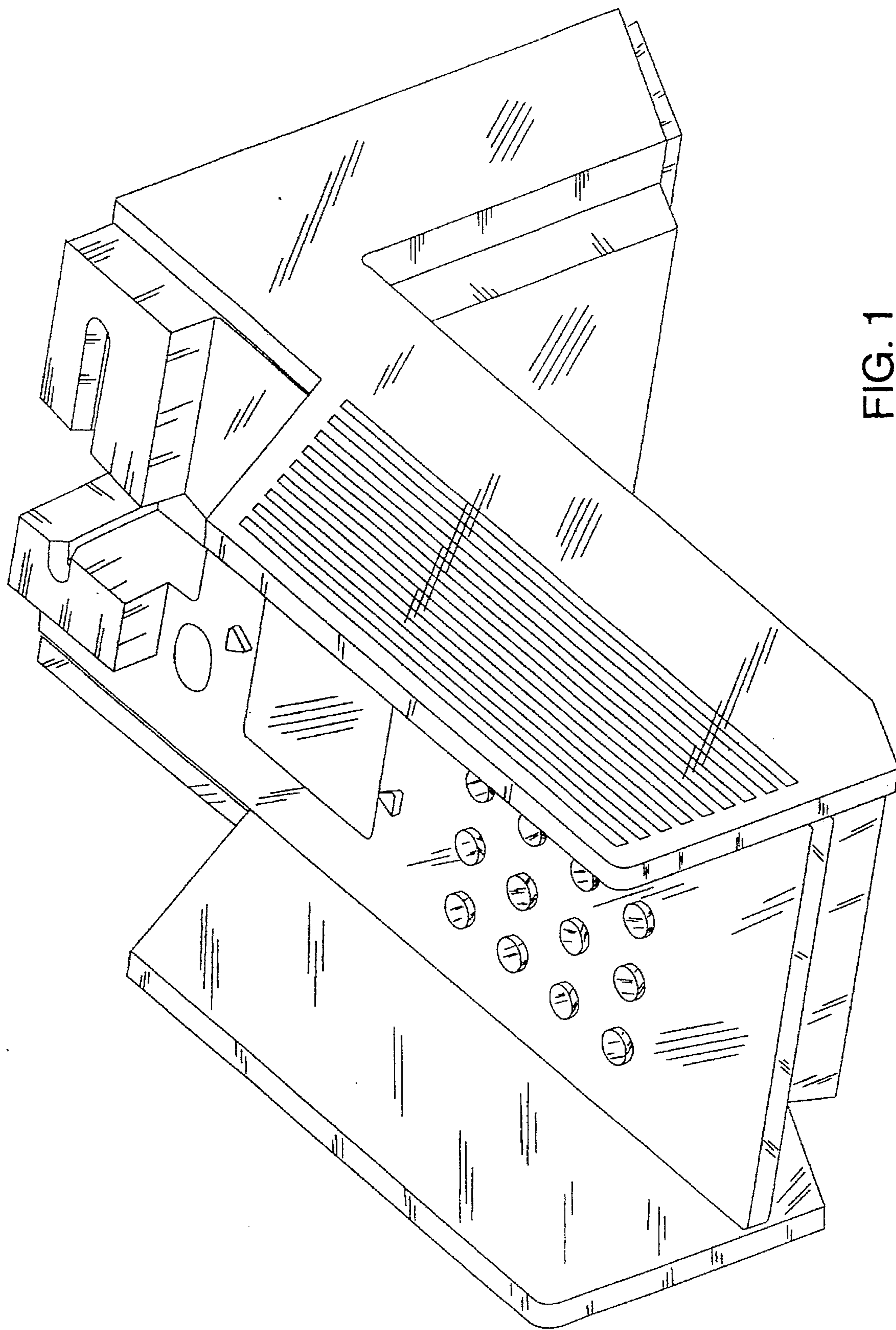


FIG. 1

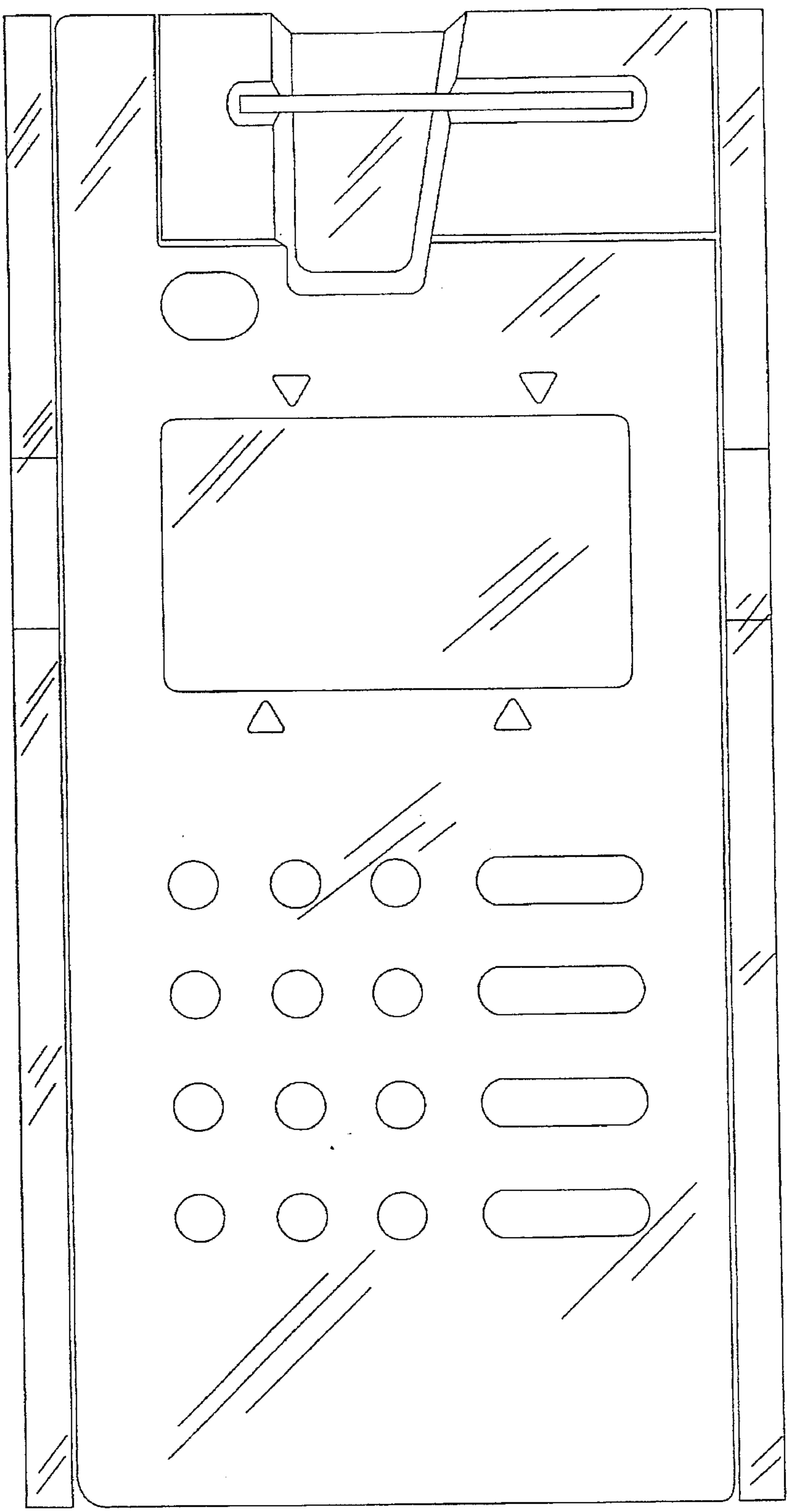


FIG. 2

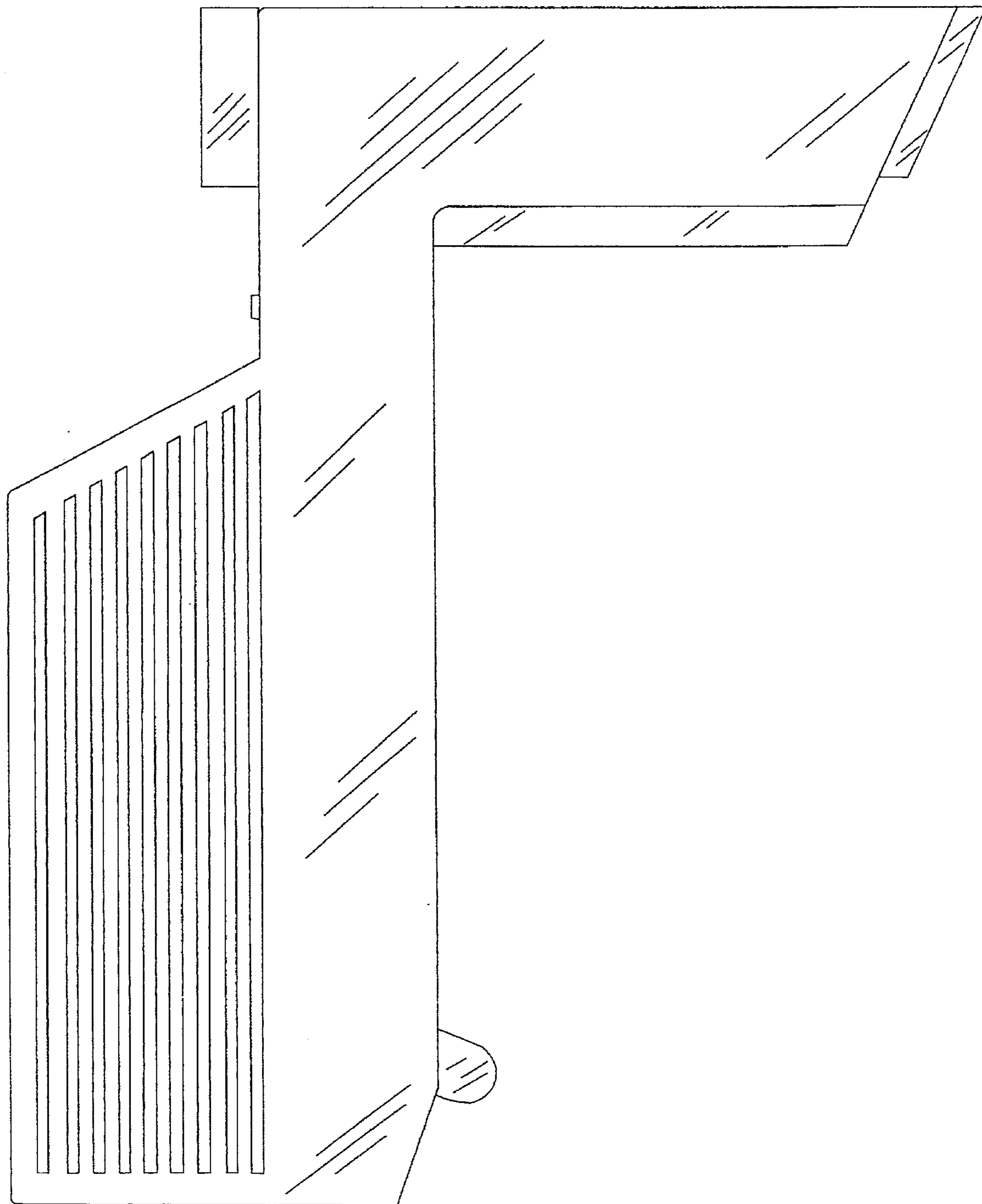


FIG. 3

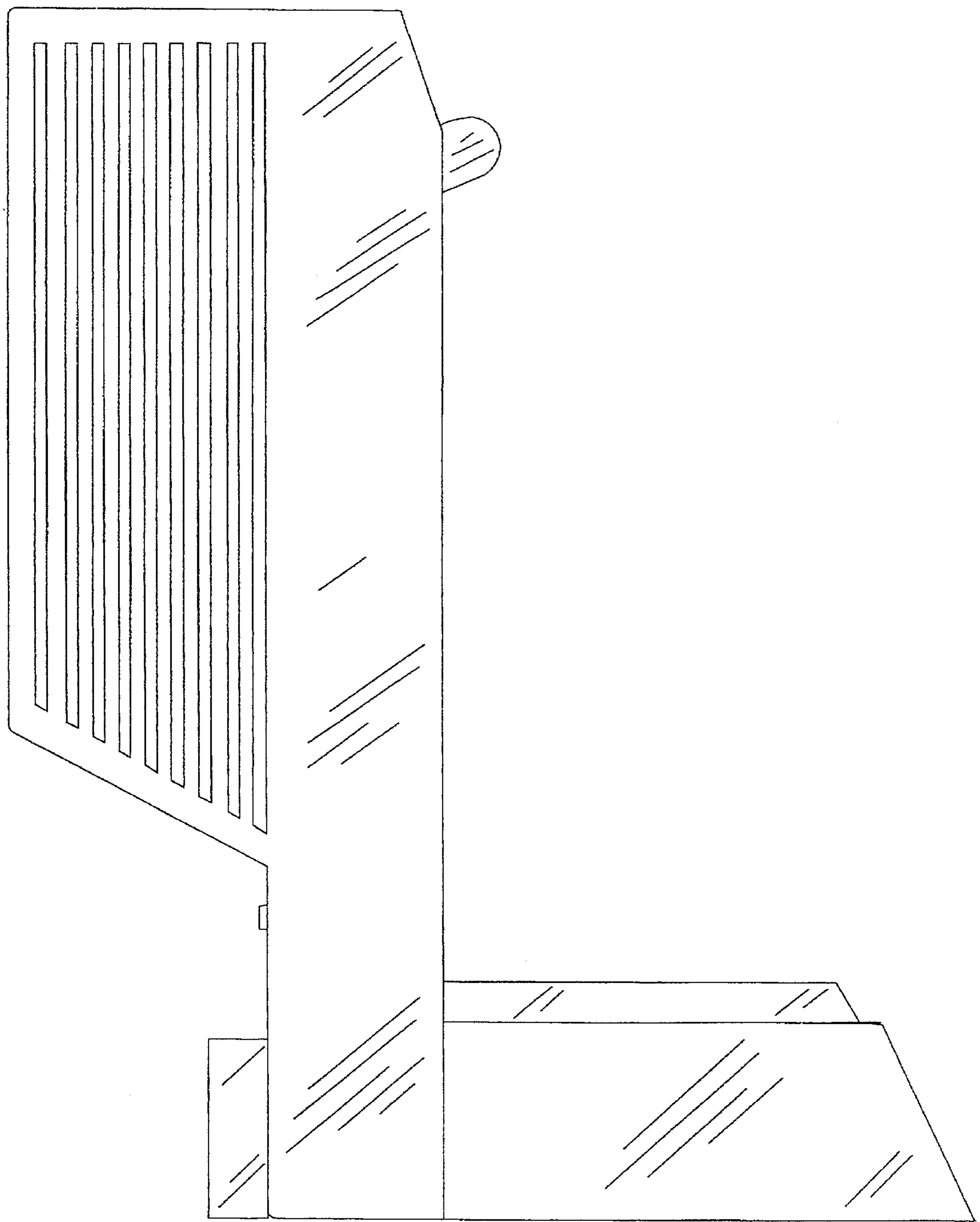


FIG. 4

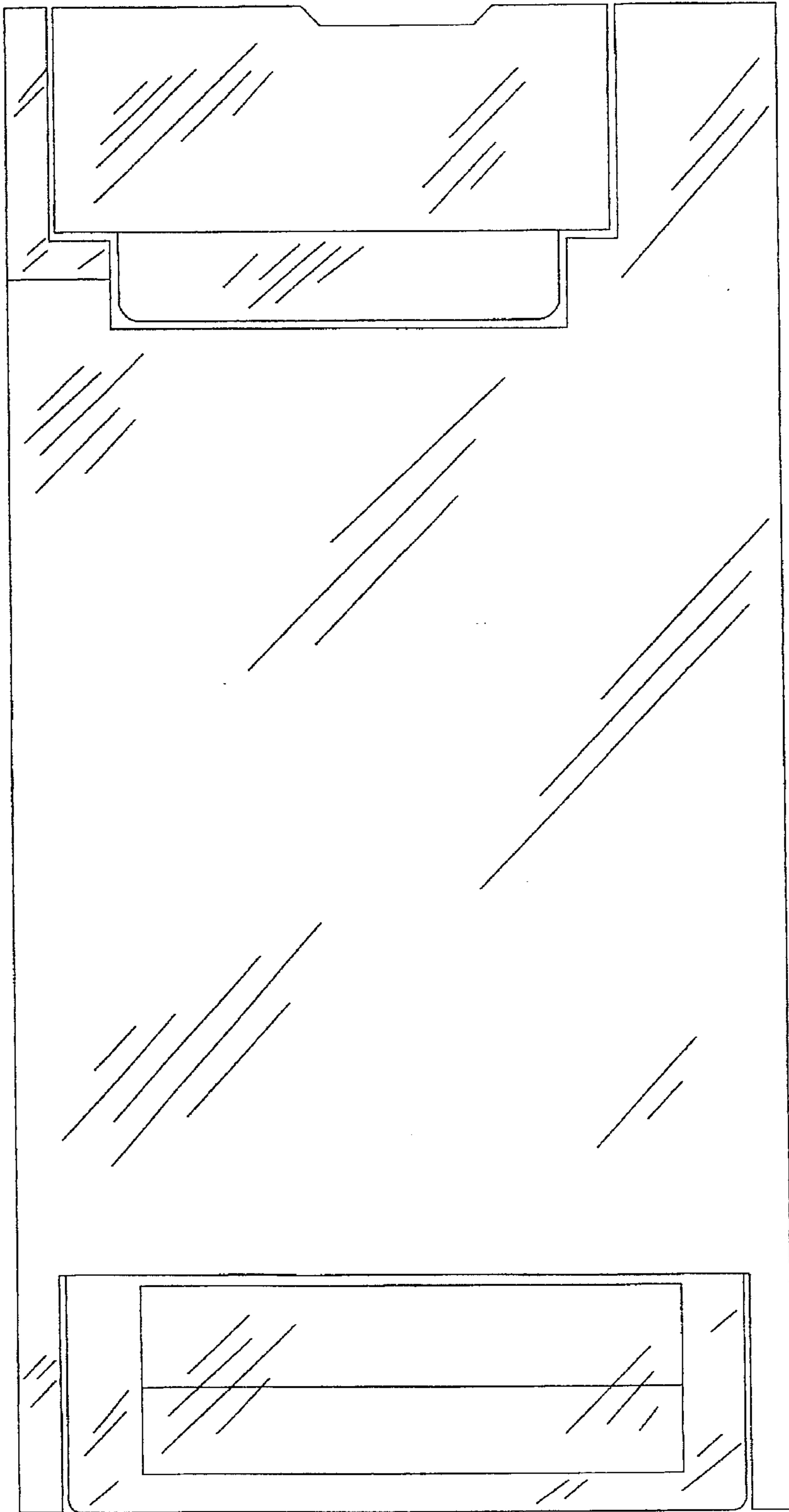


FIG. 5

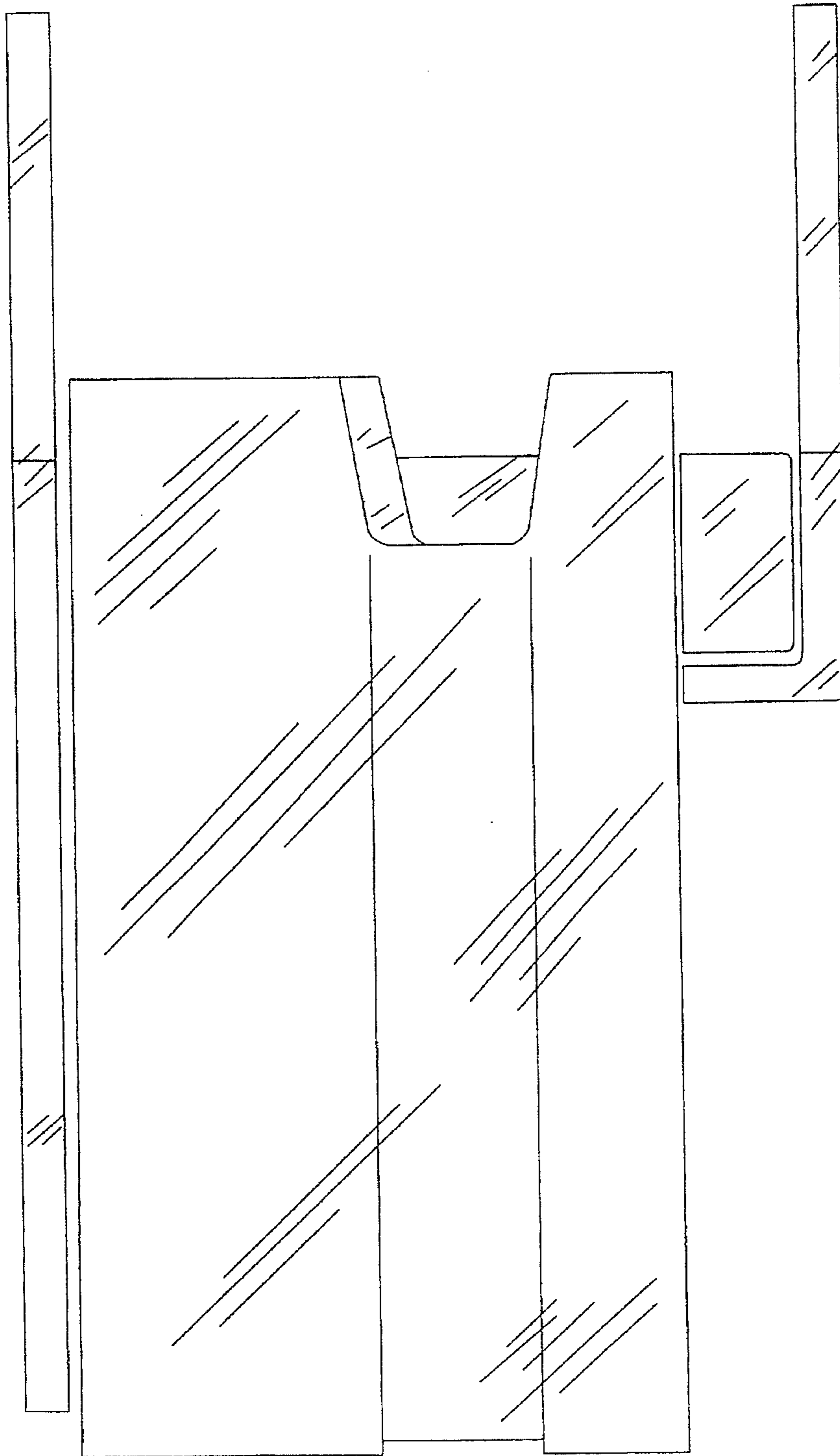


FIG. 6

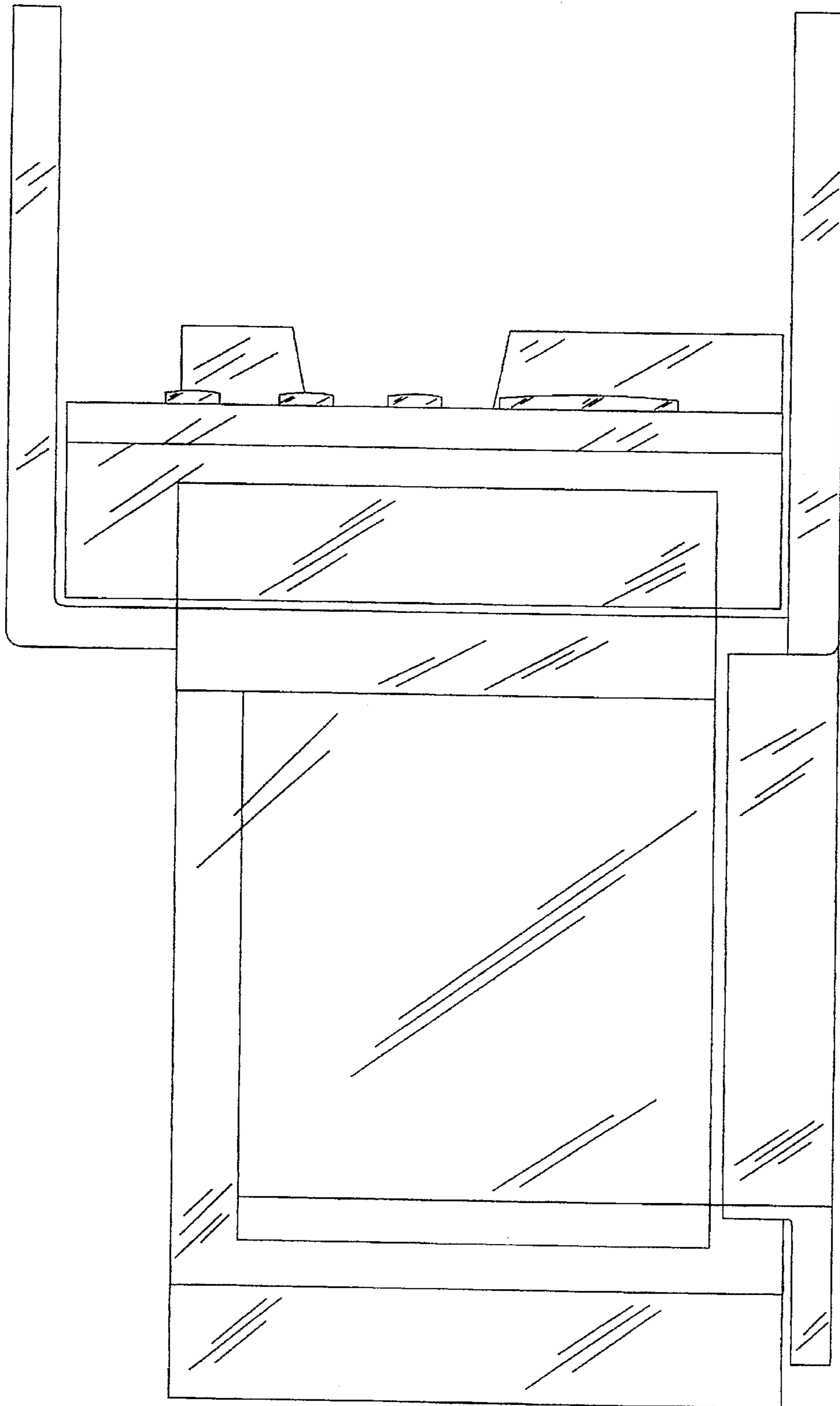


FIG. 7