



US00D381670S

United States Patent [19]

Priestman et al.

[11] Patent Number: **Des. 381,670**

[45] Date of Patent: ****Jul. 29, 1997**

[54] CAMERA

[75] Inventors: **Paul D. Priestman; Nigel A. Goode,**
both of London, United Kingdom

[73] Assignee: **Fisher-Price, Inc.,** East Aurora, N.Y.

[**] Term: **14 Years**

[21] Appl. No.: **42,503**

[22] Filed: **Aug. 11, 1995**

[51] LOC (6) Cl. **16-01**

[52] U.S. Cl. **D16/218; D16/200**

[58] Field of Search **D16/200, 201,**
D16/202-205, 208, 209, 210, 211, 216-218;
354/126, 202, 288

[56] **References Cited**

U.S. PATENT DOCUMENTS

D. 113,320	2/1939	Crumrine	D16/218
D. 184,541	3/1959	Smith	D16/218
D. 186,436	10/1959	Hodgman	D16/218
D. 244,089	4/1977	Augustin, Jr. et al.	D16/219
D. 244,526	5/1977	Augustin, Jr. et al.	D16/219
D. 248,858	8/1978	Fukuda	D16/210
D. 257,849	1/1981	Conner et al.	D16/211
D. 261,523	10/1981	Conner et al.	D16/239
D. 268,267	3/1983	Alie et al.	D16/217
D. 270,643	9/1983	Alie et al.	D16/217
D. 279,574	7/1985	Conner et al.	D16/211
D. 287,502	12/1986	Fichter	D16/219
D. 289,055	3/1987	Fichter	D16/219
D. 295,051	4/1988	Johnson et al.	D16/211
D. 295,183	4/1988	Johnson et al.	D16/209
D. 296,109	6/1988	Peterson et al.	D16/211

D. 303,534	9/1989	Lane et al.	D16/217
D. 303,535	9/1989	Lane et al.	D16/217
D. 306,309	2/1990	Lane et al.	D16/209
D. 306,607	3/1990	Lemmey	D16/200
D. 310,534	9/1990	Ryan et al.	D16/214
D. 315,569	3/1991	Betts et al.	D16/211
D. 320,029	9/1991	Betts	D16/211
D. 321,358	11/1991	Betts	D16/211
D. 333,670	3/1993	Douglas	D16/211
D. 335,681	5/1993	Betts et al.	D16/211
D. 356,587	3/1995	Shuler et al.	D16/218
2,388,995	11/1945	Pollock	354/126

OTHER PUBLICATIONS

Modern Photography, Oct. 1984 p. 77 (Mamiya's M645 camera).

Primary Examiner—Philip S. Hyder
Assistant Examiner—Adir Aronovich
Attorney, Agent, or Firm—Howrey & Simon; C. Scott Talbot; Melvin L. Barnes, Jr.

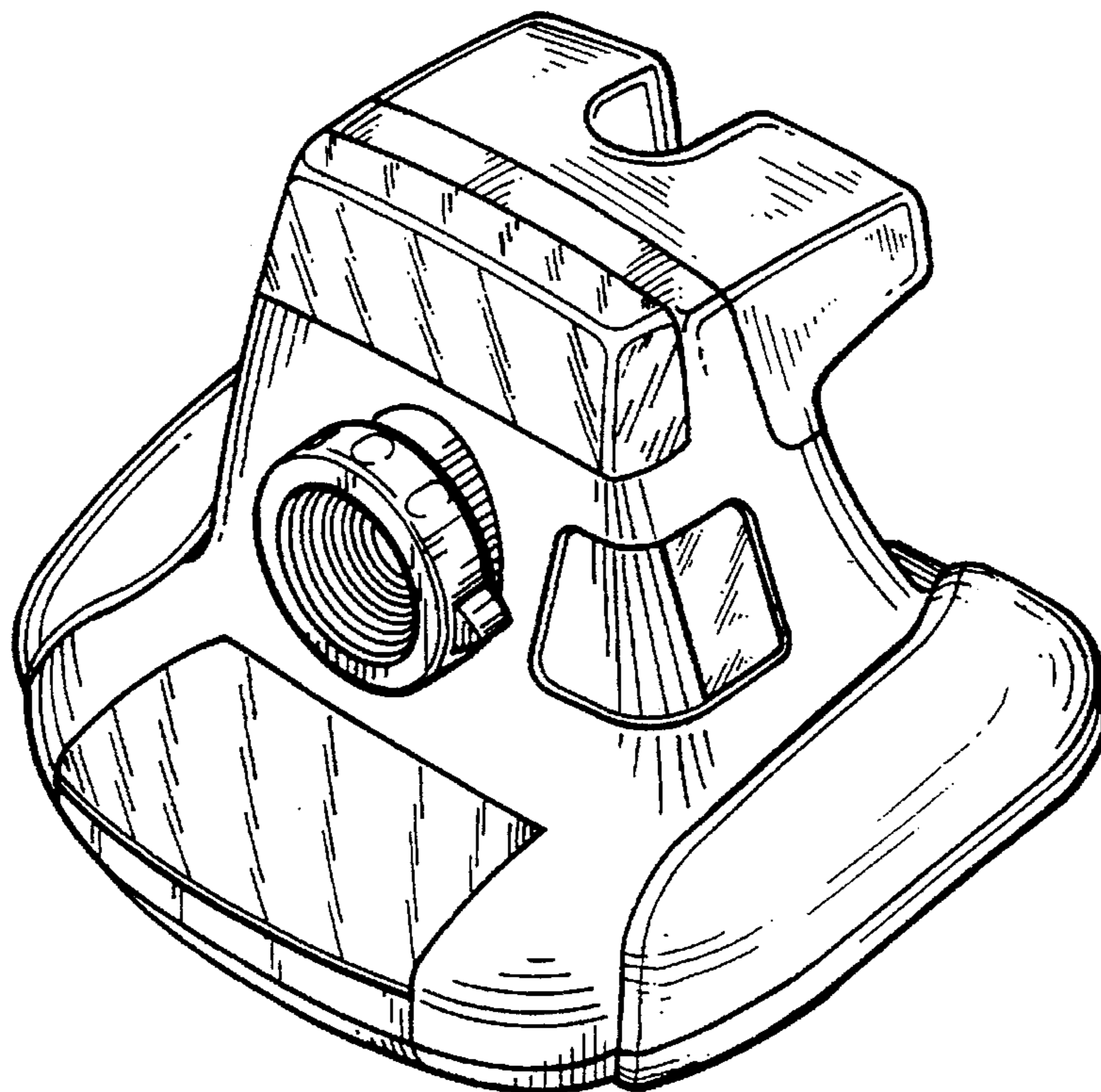
[57] **CLAIM**

The ornamental design for the camera, as shown and described.

DESCRIPTION

FIG. 1 is a front perspective view of a camera showing our new design;
FIG. 2 is a front elevation view of the camera;
FIG. 3 is a rear elevation view of the camera;
FIG. 4 is a right side elevation view of the camera;
FIG. 5 is a left side elevation view of the camera;
FIG. 6 is a top plan view of the camera; and,
FIG. 7 is a bottom plan view of the camera.

1 Claim, 4 Drawing Sheets



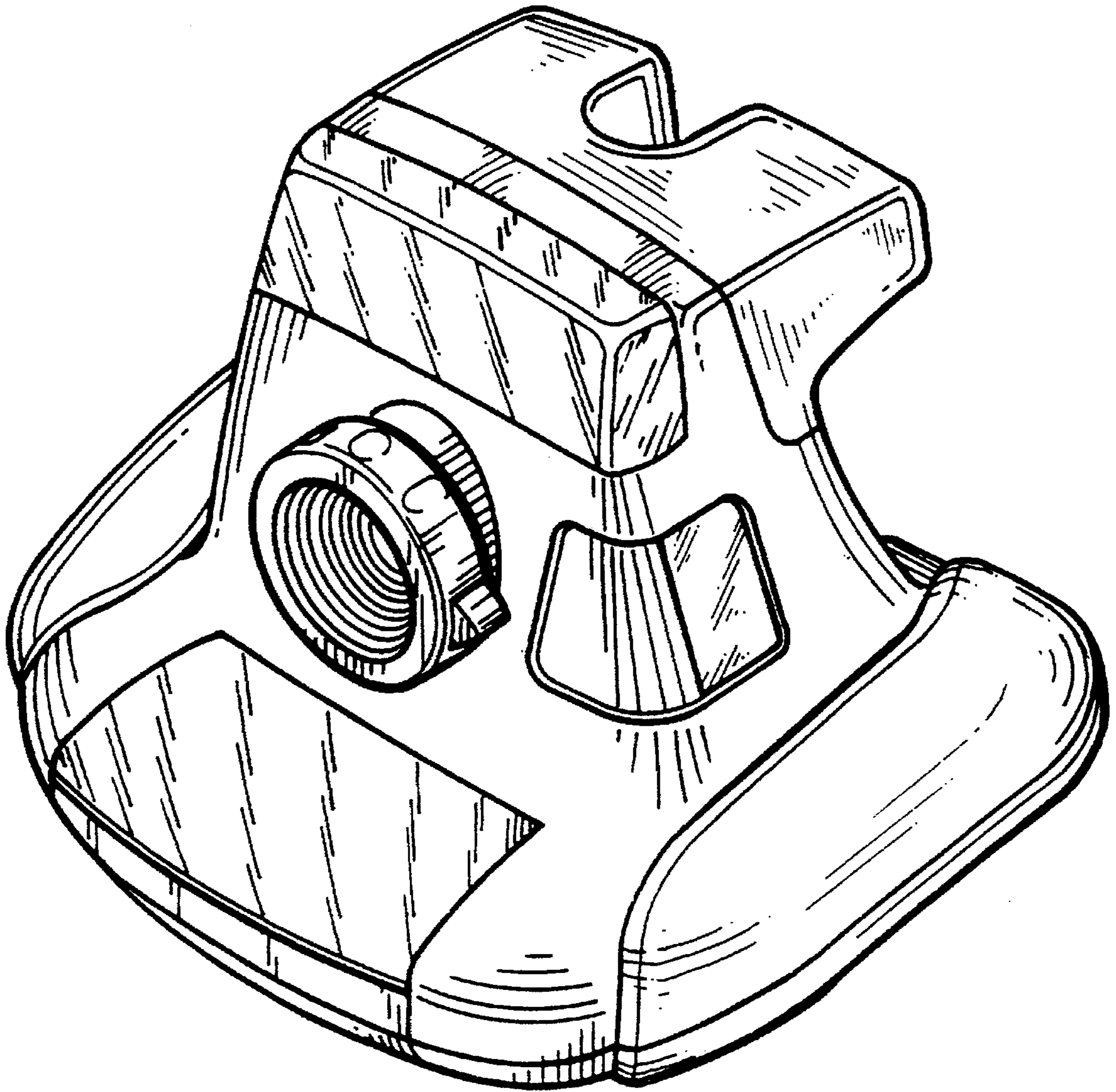


Fig. 1

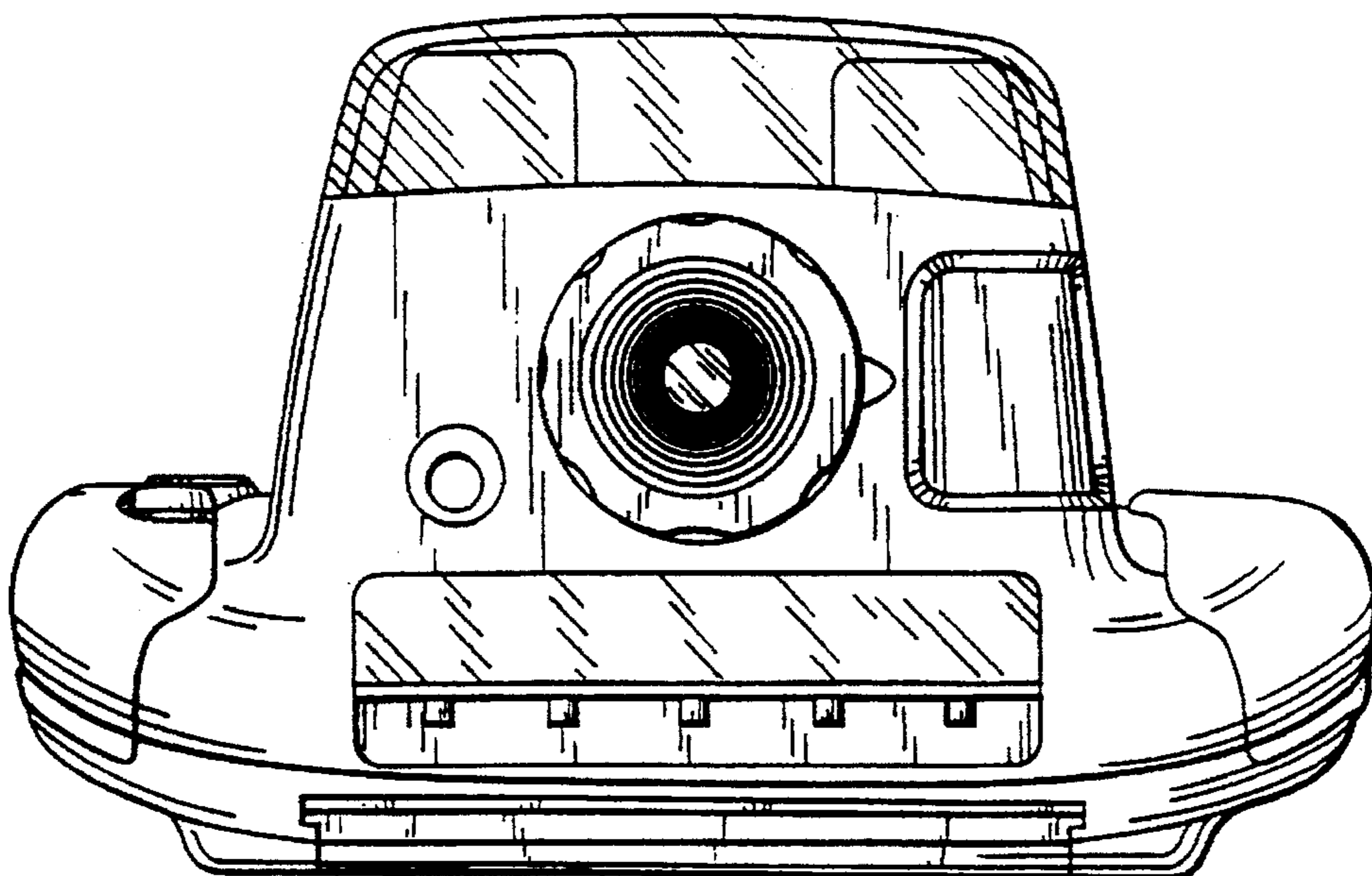


Fig. 2

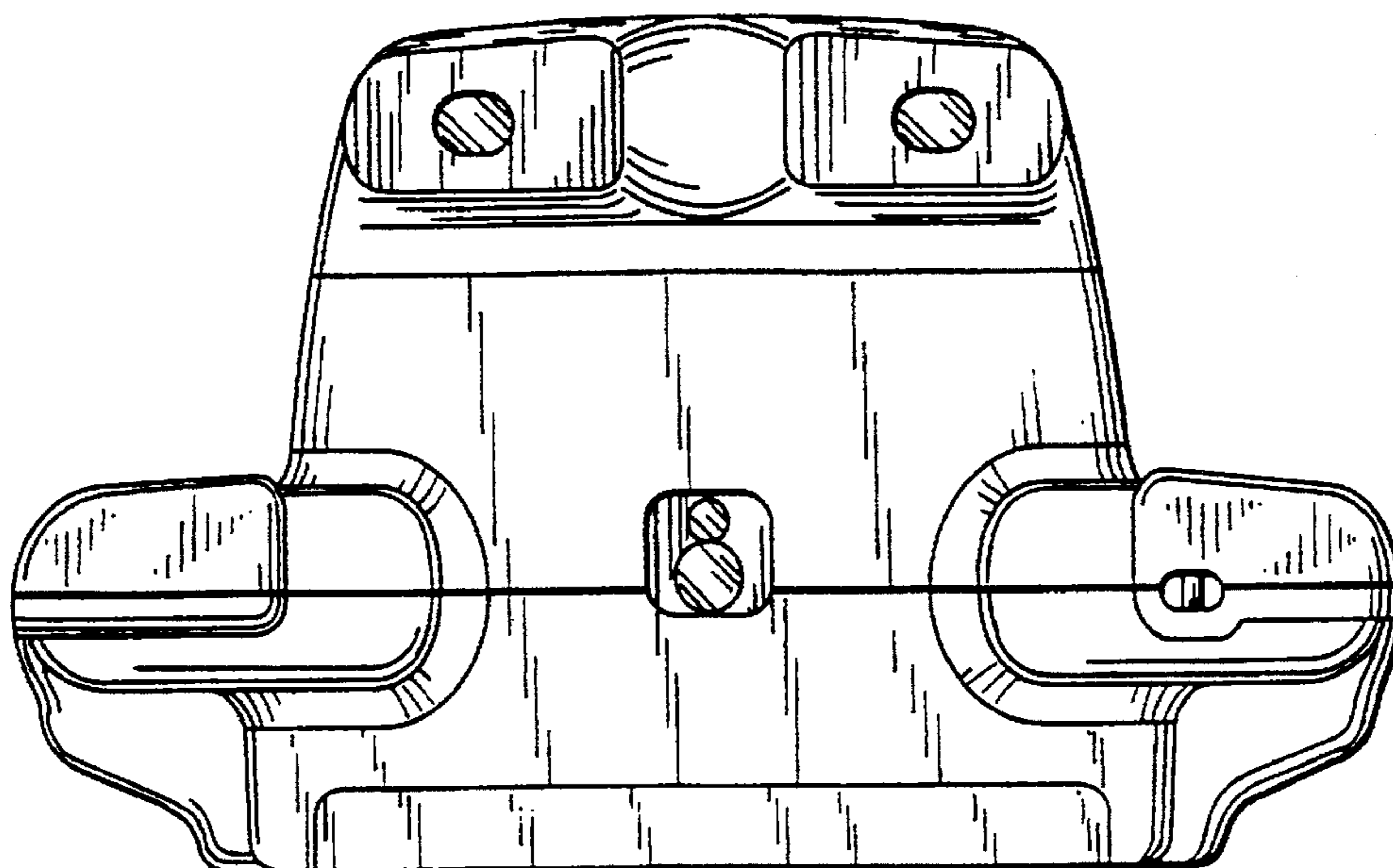


Fig. 3

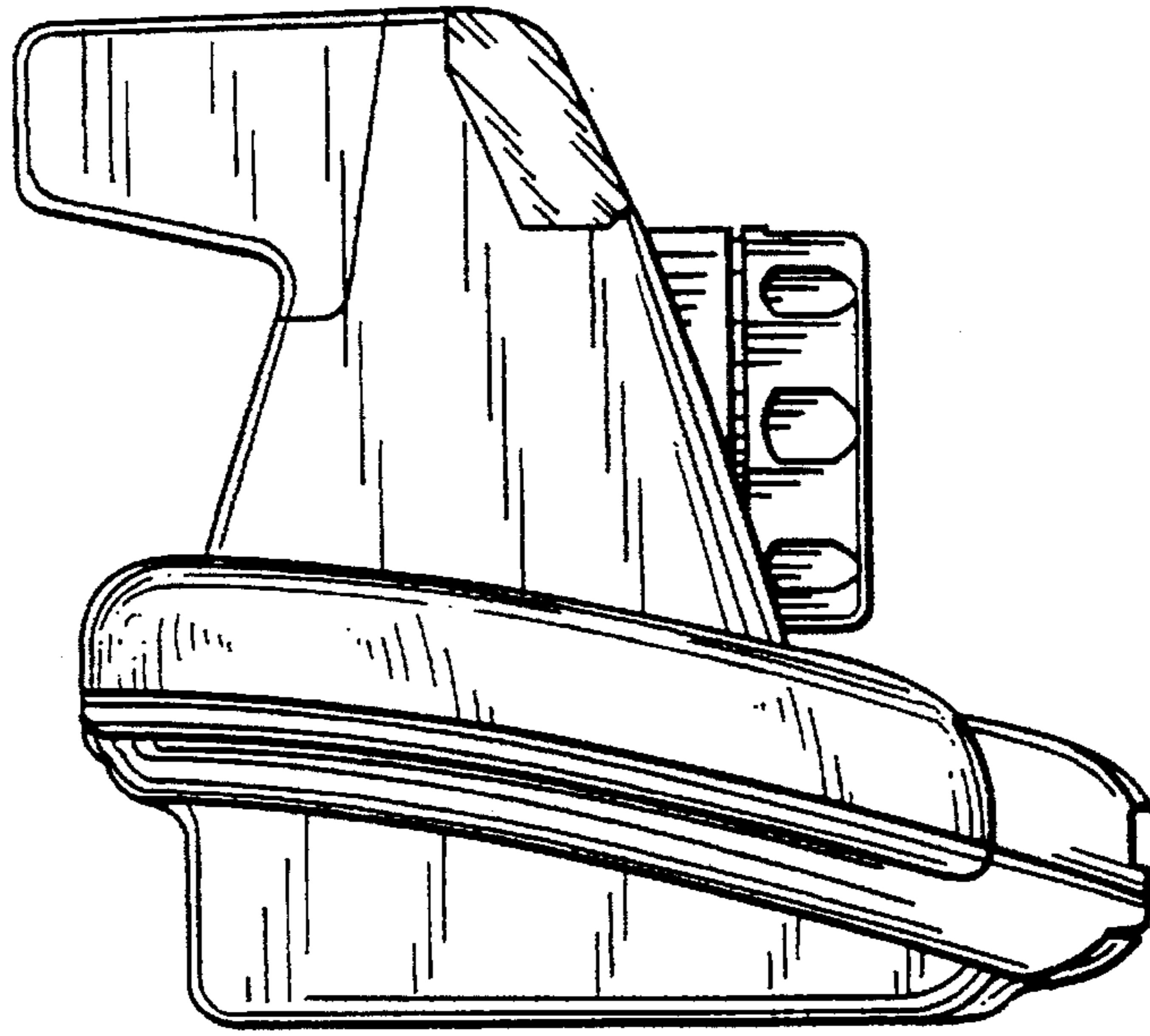


Fig. 4

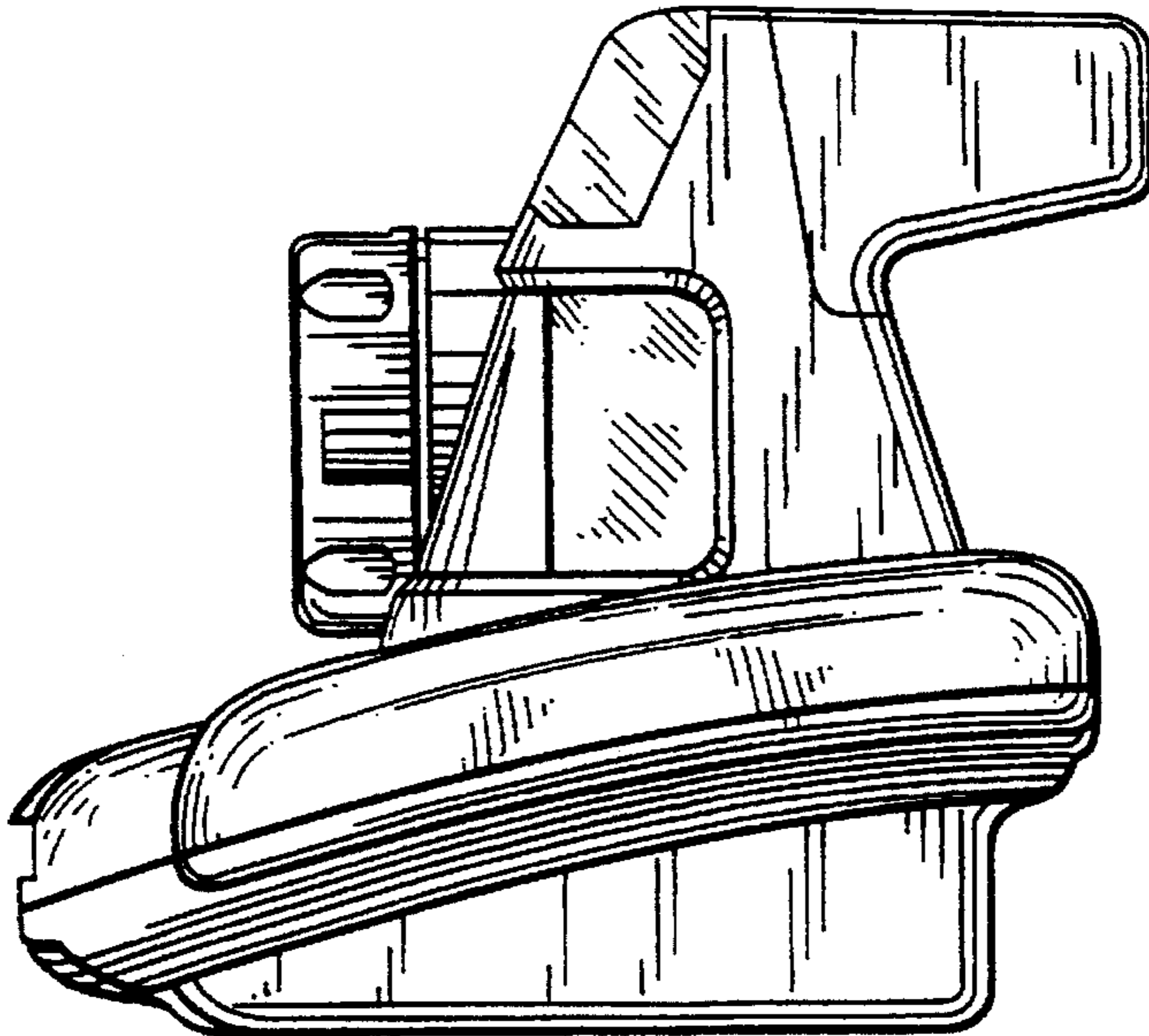


Fig. 5

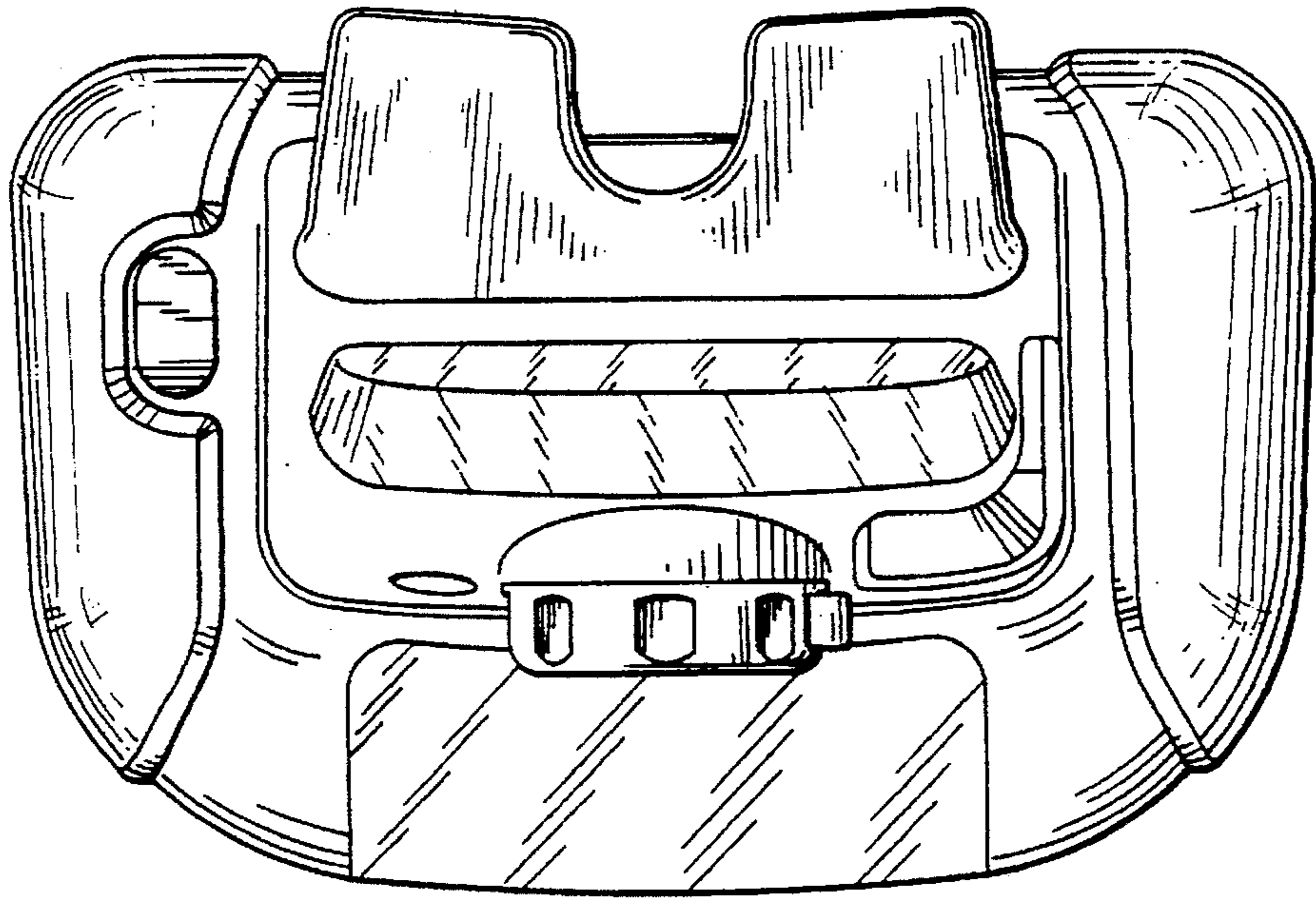


Fig. 6

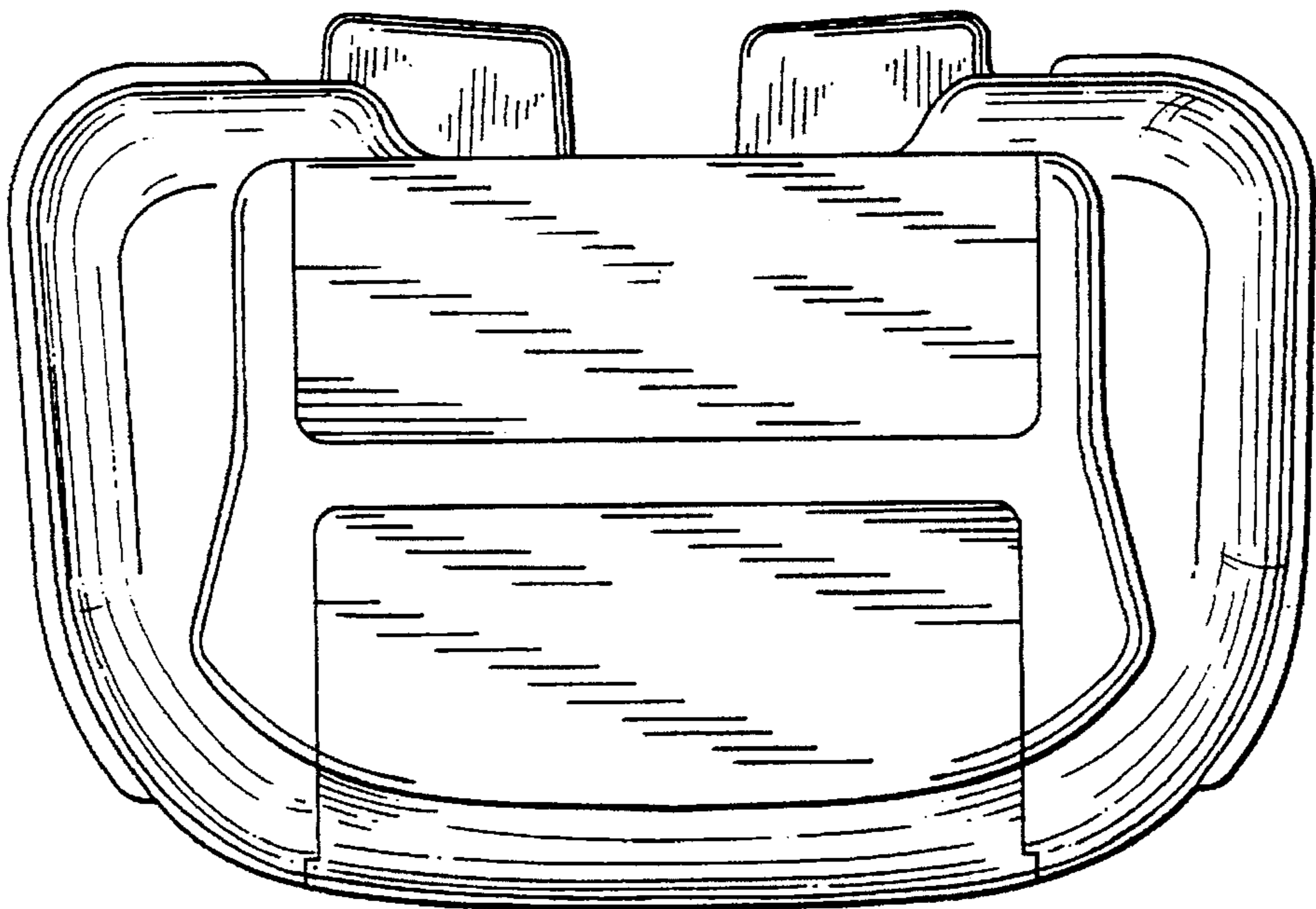


Fig. 7