



US00D381669S

# United States Patent [19]

Hashimoto et al.

[11] Patent Number: **Des. 381,669**

[45] Date of Patent: **\*\*Jul. 29, 1997**

[54] **BINOCULARS**

[75] Inventors: **Nobuo Hashimoto, Kawasaki; Arata Ono, Urawa, both of Japan**

[73] Assignee: **Nikon Corporation, Tokyo, Japan**

[\*\*] Term: **14 Years**

[21] Appl. No.: **33,728**

[22] Filed: **Jan. 19, 1995**

[51] LOC (6) Cl. .... **16-06**

[52] U.S. Cl. .... **D16/133; D16/132**

[58] Field of Search ..... **D16/130, 132, D16/133; 33/245; 250/330, 333; 354/76, 79; 356/142, 145; 359/399, 353, 405, 407, 409, 411, 412, 413, 415, 417, 419, 420, 480, 804, 809, 816; 353/DIG. 3; 40/367**

[56] **References Cited**

**U.S. PATENT DOCUMENTS**

2,079,890	5/1937	Wollensak et al. ....	359/413
2,765,718	10/1956	Beecher .....	354/79
2,990,759	7/1961	Marcosky .....	354/79

3,431,043	3/1969	Cassidy et al. ....	D16/133 X
4,848,887	7/1989	Addy et al. ....	D16/133 X
5,074,652	12/1991	Addy .....	D16/133 X

*Primary Examiner*—Louis S. Zarfes  
*Assistant Examiner*—Monica A. Weingart  
*Attorney, Agent, or Firm*—Oliff & Berridge

[57] **CLAIM**

The ornamental design for binoculars, as shown and described.

**DESCRIPTION**

FIG. 1 is a front elevational view of binoculars showing the design;  
FIG. 2 is a rear elevational view thereof;  
FIG. 3 is a left side elevational view thereof;  
FIG. 4 is a right side elevational view thereof;  
FIG. 5 is a top plan view thereof;  
FIG. 6 is a bottom plan view thereof;  
FIG. 7 is a front perspective view thereof; and,  
FIG. 8 is a front perspective view thereof in an closed position.

**1 Claim, 3 Drawing Sheets**

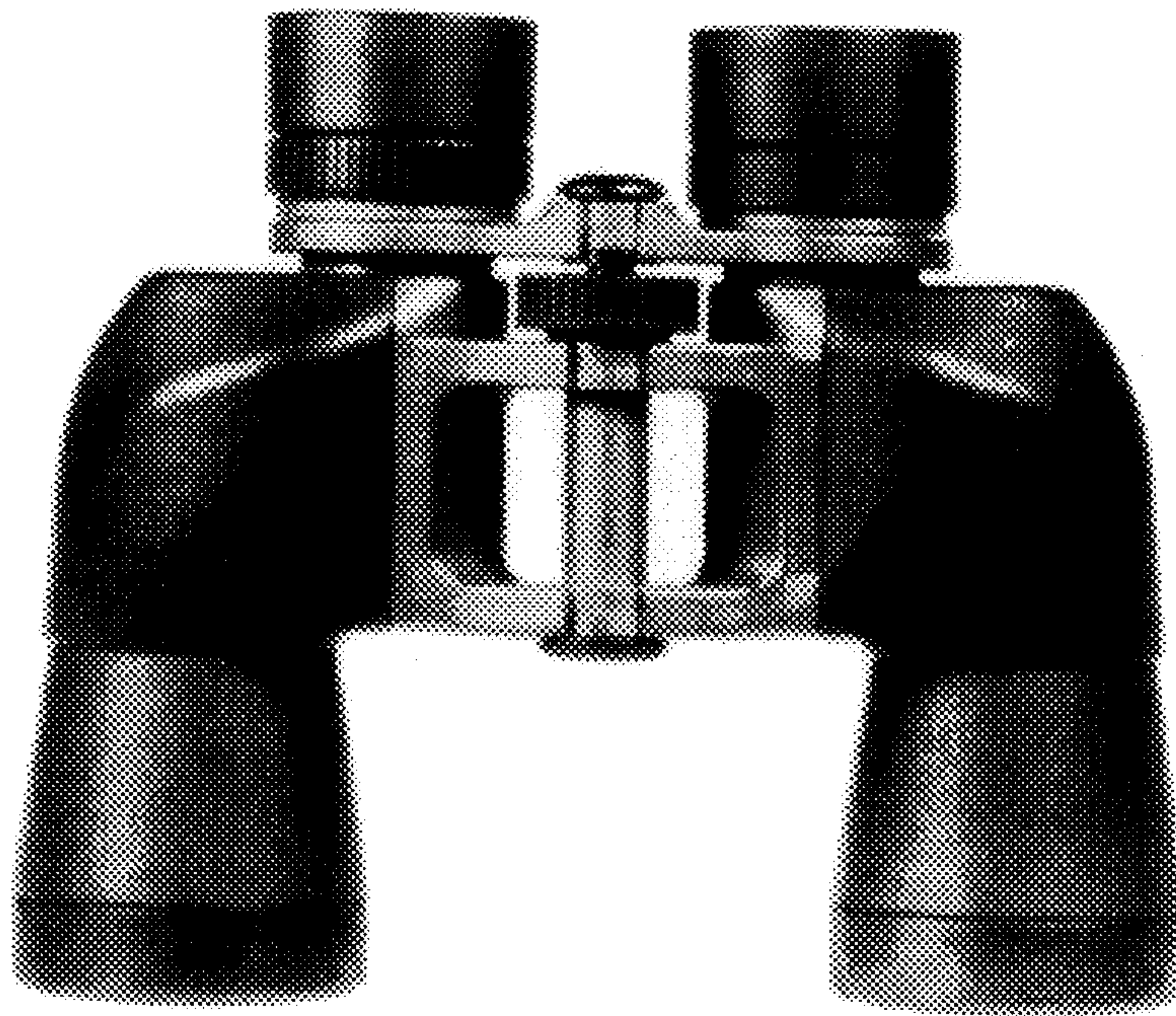


FIG. 1

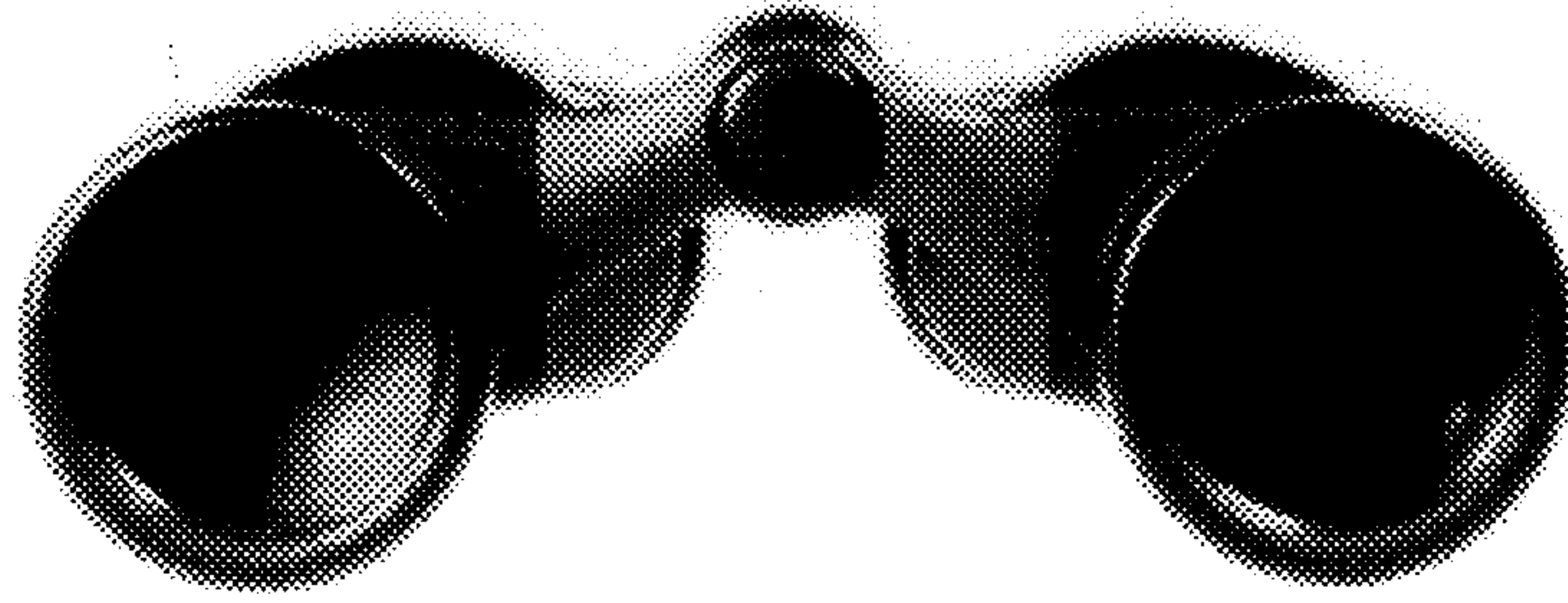


FIG. 2

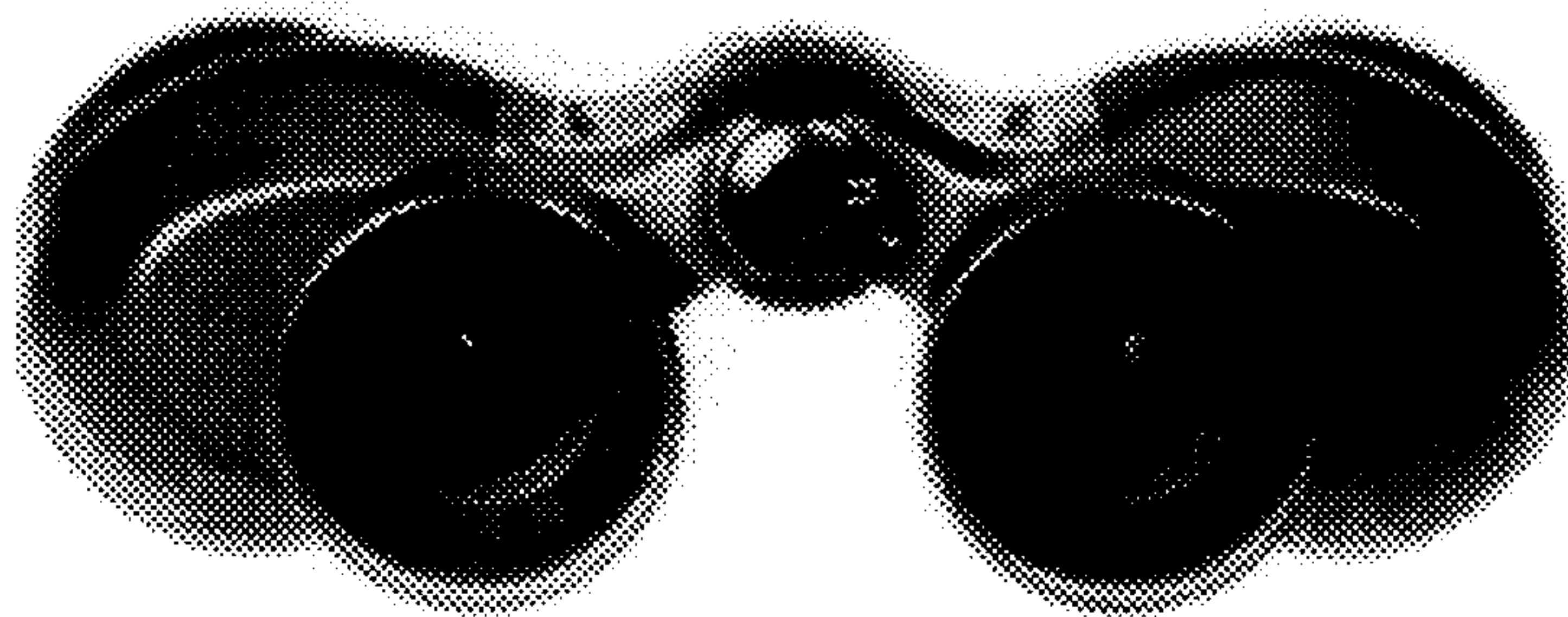


FIG. 3



FIG. 4

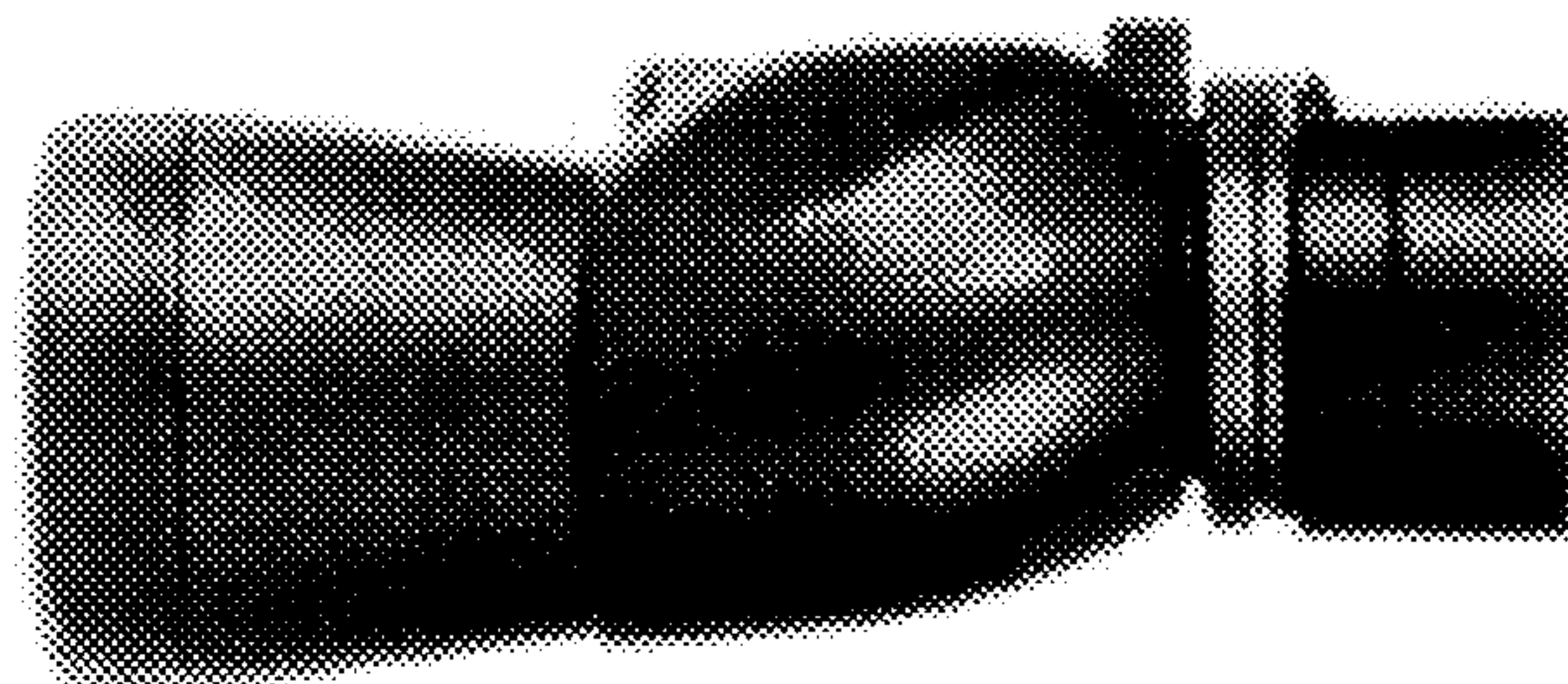




FIG. 5

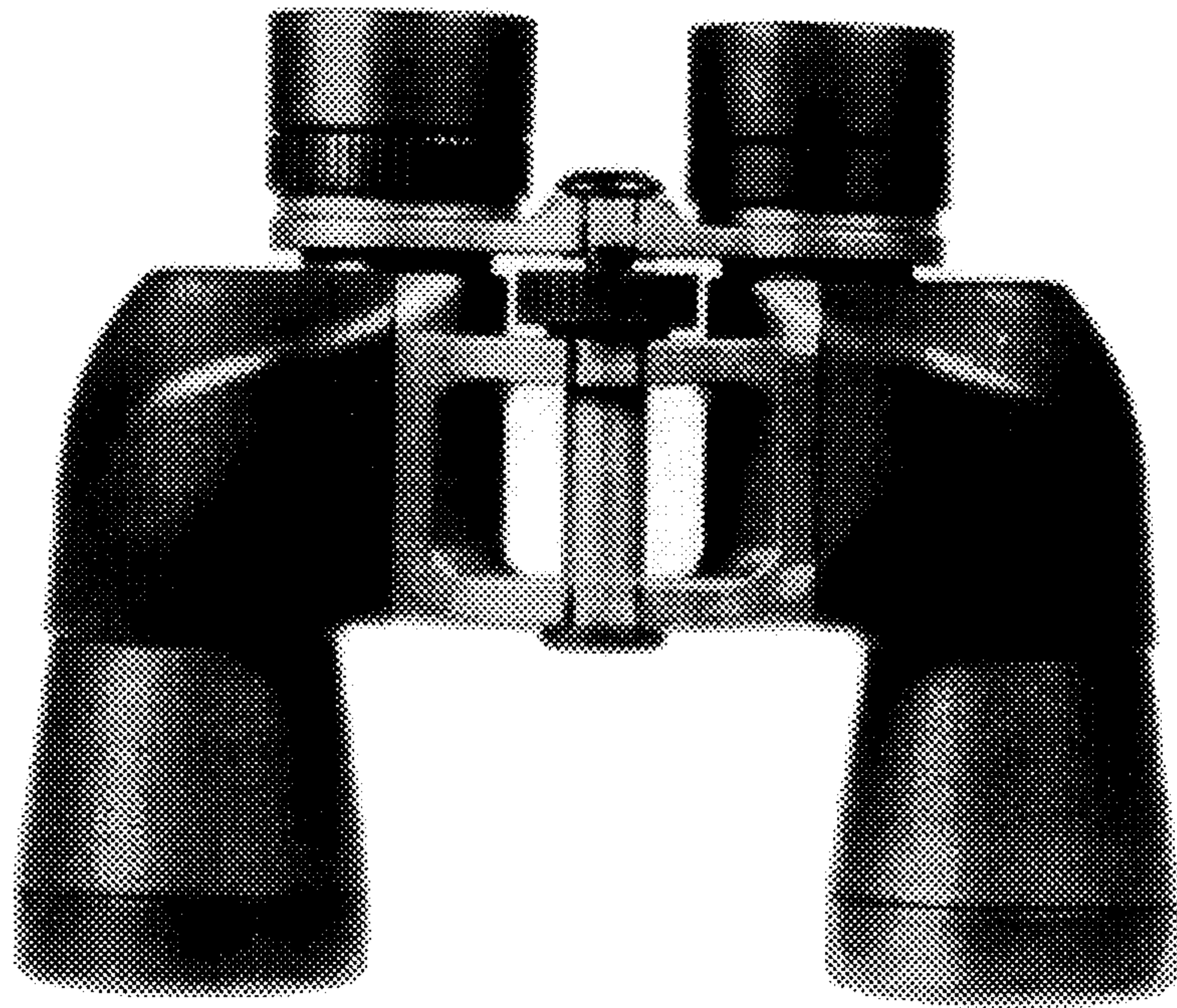


FIG. 6

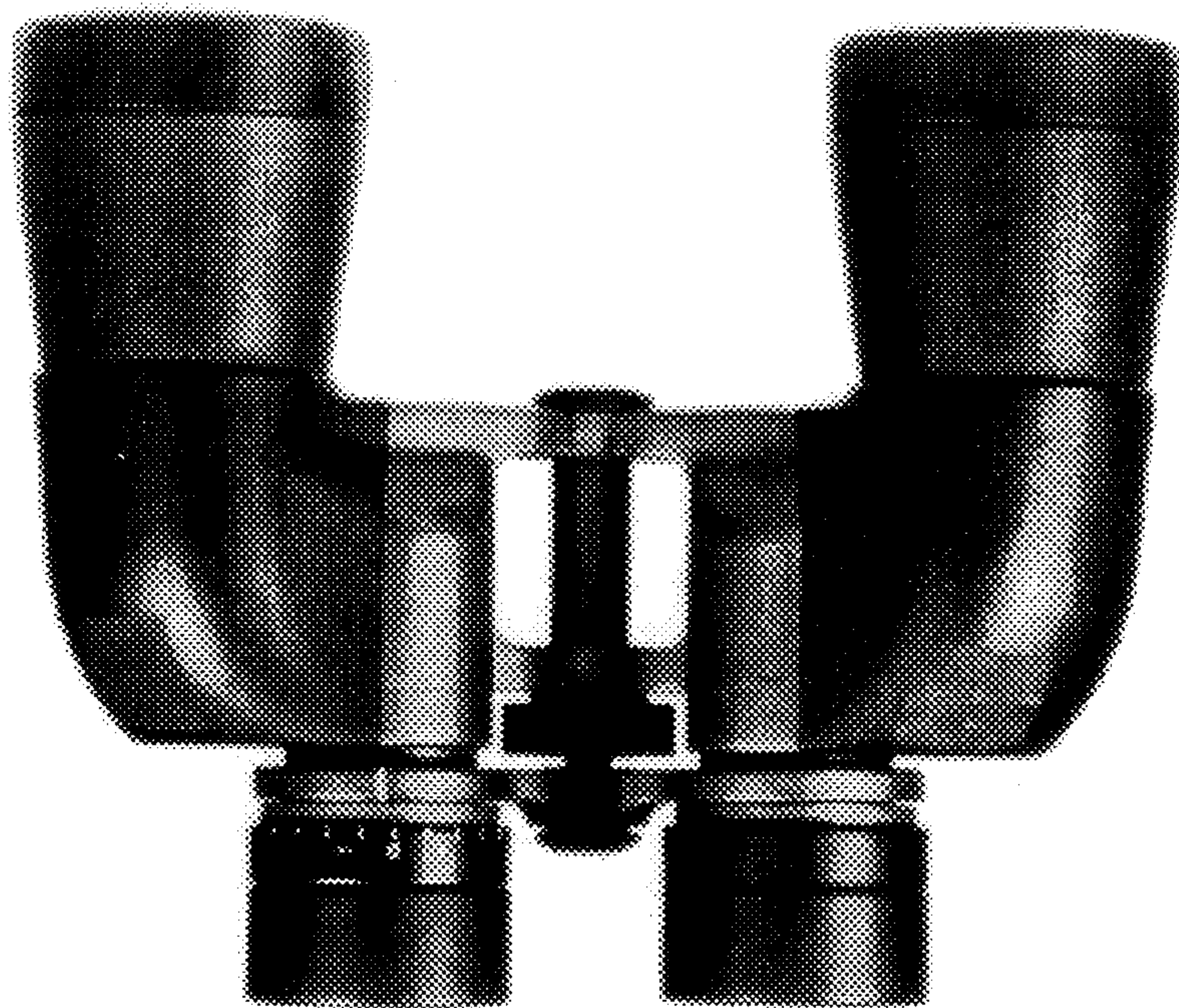


FIG. 7

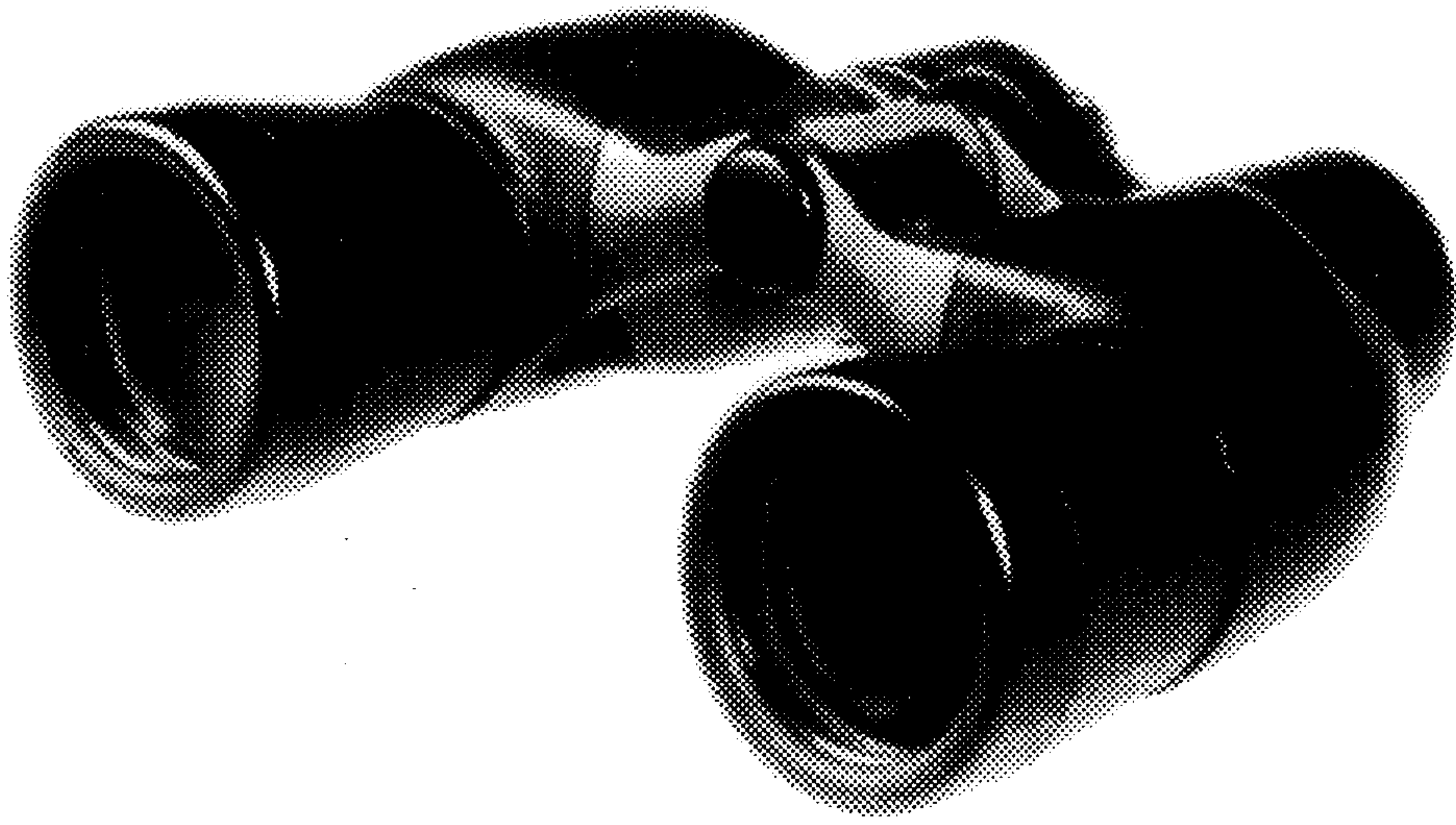


FIG. 8

