



US00D381667S

# United States Patent [19]

Itzov et al.

[11] Patent Number: **Des. 381,667**

[45] Date of Patent: **\*\*Jul. 29, 1997**

[54] **COMPOUND MITER SAW**

[75] Inventors: **Andrew L. Itzov**, Menomonee Falls;  
**Richard P. Brault**, Cedarburg; **Robert D. Davis**, Oshkosh; **Jeffrey S. Holly**, Menomonee Falls, all of Wis.

[73] Assignee: **Milwaukee Electric Tool Corporation**, Brookfield, Wis.

[\*\*] Term: **14 Years**

[21] Appl. No.: **47,607**

[22] Filed: **Dec. 8, 1995**

[51] LOC (6) Cl. .... **15-09**

[52] U.S. Cl. .... **D15/133**

[58] Field of Search ..... **D15/133; 83/397, 83/471.1, 471.2, 471.3, 477, 581**

[56] **References Cited**

### U.S. PATENT DOCUMENTS

D. 306,031	2/1990	Ushiwata et al. ....	D15/133
D. 331,416	12/1992	Fushiya et al. ....	D15/133
D. 336,652	6/1993	Archart ....	D15/133
3,295,568	1/1967	Cassey ....	143/6
3,483,901	12/1969	Ray ....	143/6
3,530,915	9/1970	Moriuchi et al. ....	146/105
3,913,437	10/1975	Speer et al. ....	83/478
4,150,598	4/1979	Berends et al. ....	83/478
4,537,105	8/1985	Bergler ....	83/471.3
4,559,857	12/1985	Grossmann et al. ....	83/471.3
4,638,700	1/1987	Fushiya et al. ....	83/467
4,869,142	9/1989	Sato et al. ....	83/467.1

4,957,024	9/1990	Albrecht .....	83/471.3
4,972,748	11/1990	Walsh .....	83/468.3
5,020,406	6/1991	Sasaki et al. ....	83/397
5,054,352	10/1991	Fushiya et al. ....	83/468.3
5,060,548	10/1991	Sato et al. ....	83/471.003
5,063,802	11/1991	Shiotani et al. ....	83/98
5,063,805	11/1991	Brundage .....	83/468.3
5,146,825	9/1992	Dehari .....	83/397
5,249,496	10/1993	Hirsch et al. ....	83/471.3
5,265,511	11/1993	Itzov .....	83/490
5,357,834	10/1994	Ito et al. ....	83/471.3
5,392,678	2/1995	Sasaki et al. ....	83/471.3

### FOREIGN PATENT DOCUMENTS

968669	6/1975	Canada .....	143/41
0 091 558	10/1983	European Pat. Off. ....	B23D 45/14

*Primary Examiner*—Antoine Duval Davis  
*Attorney, Agent, or Firm*—Michael Best & Friedrich

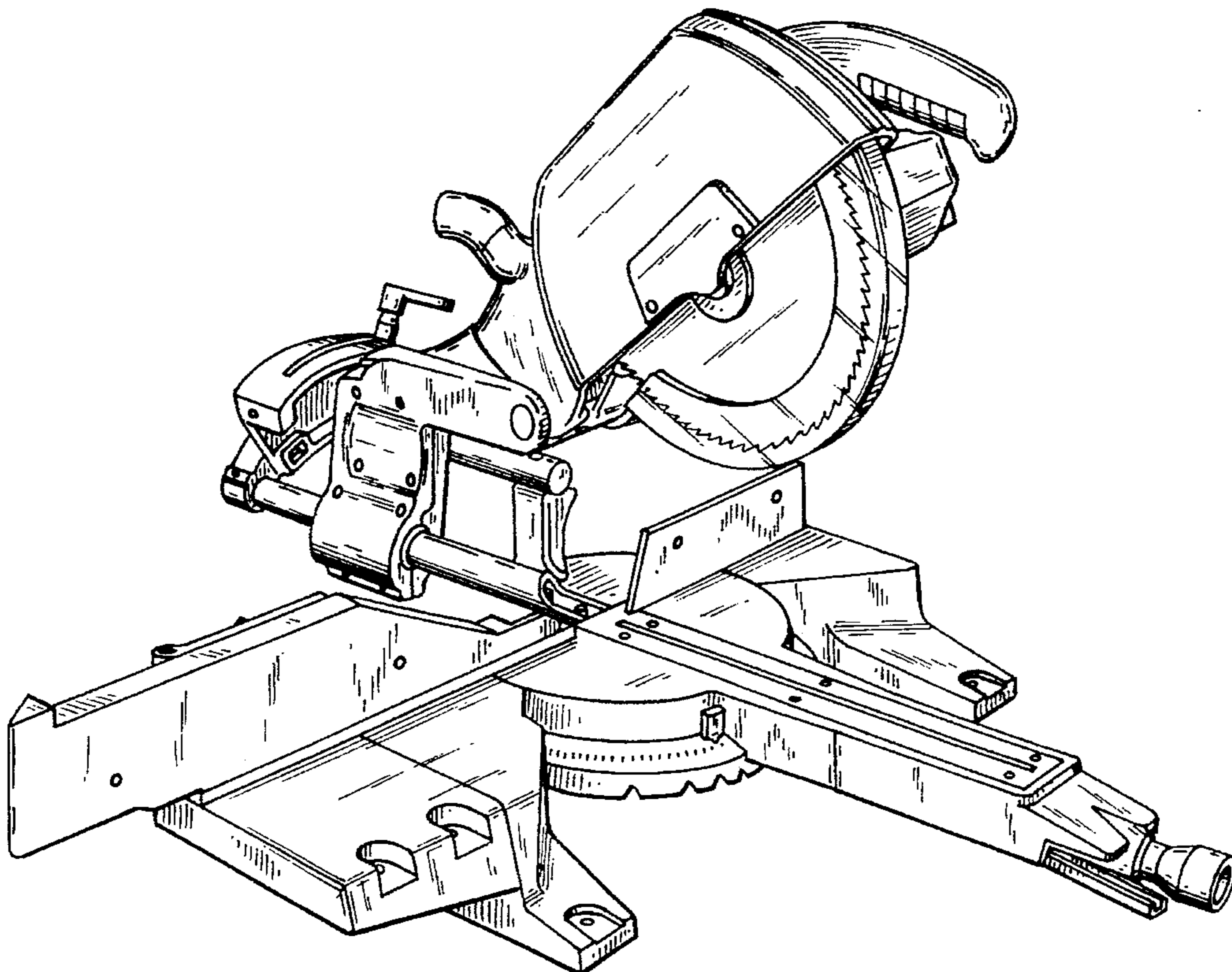
### [57] CLAIM

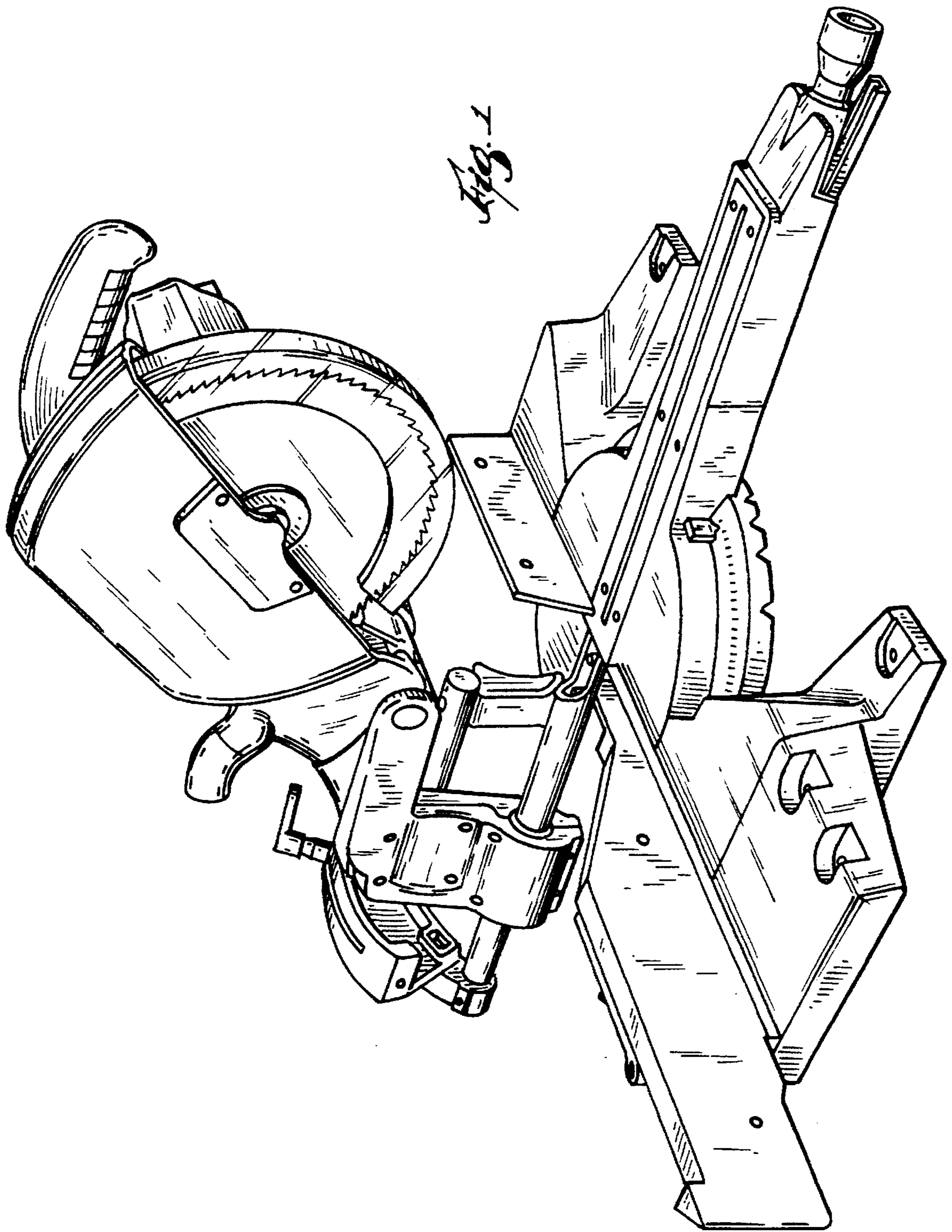
The ornamental design for a slide compound miter saw, as shown and described.

### DESCRIPTION

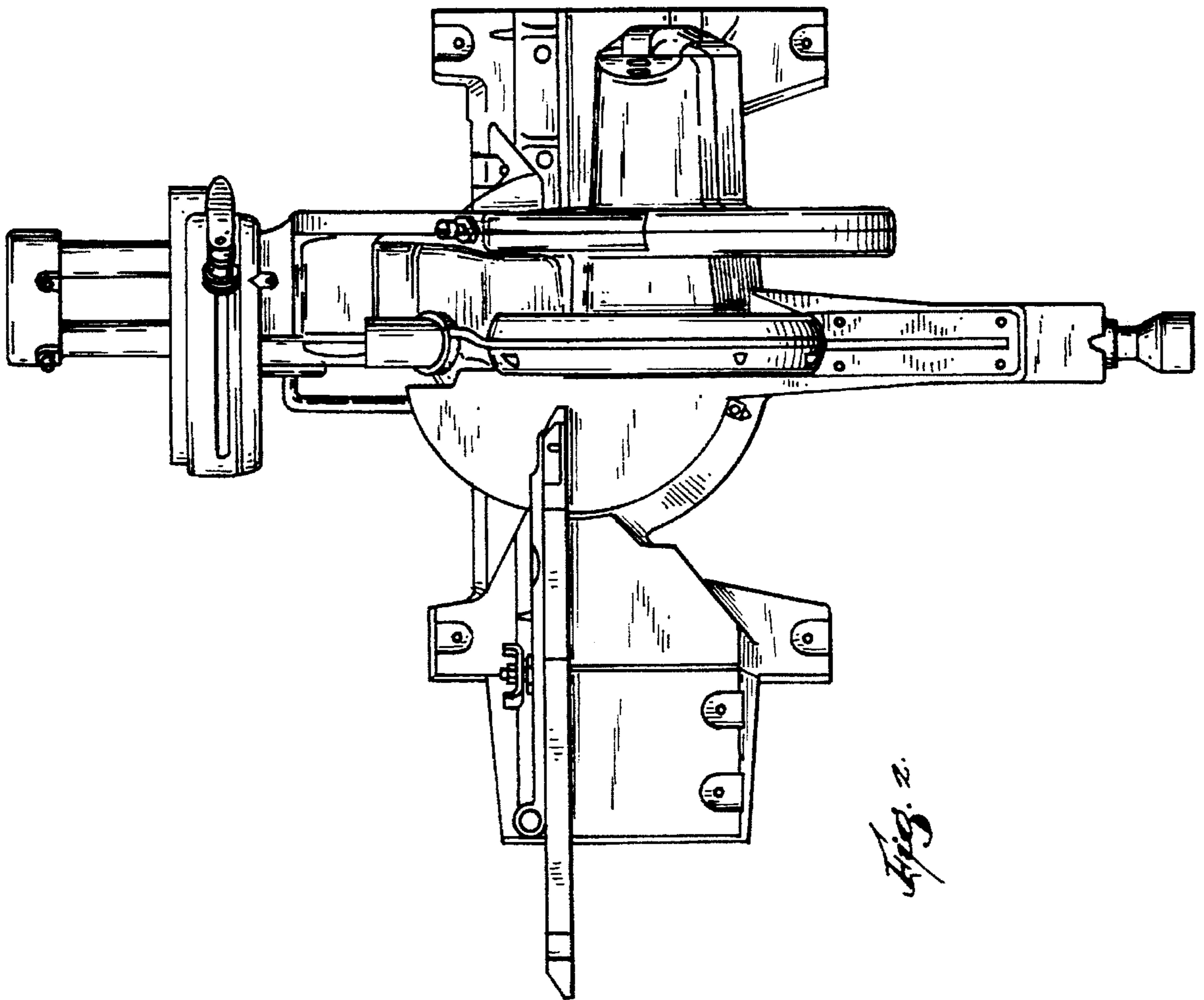
FIG. 1 is a perspective view of a slide compound miter saw showing our new design;  
FIG. 2 is a top plan view thereof;  
FIG. 3 is a right side elevational view thereof;  
FIG. 4 is a left side elevational thereof;  
FIG. 5 is a front elevational view thereof; and,  
FIG. 6 is a rear elevational view thereof.

**1 Claim, 6 Drawing Sheets**

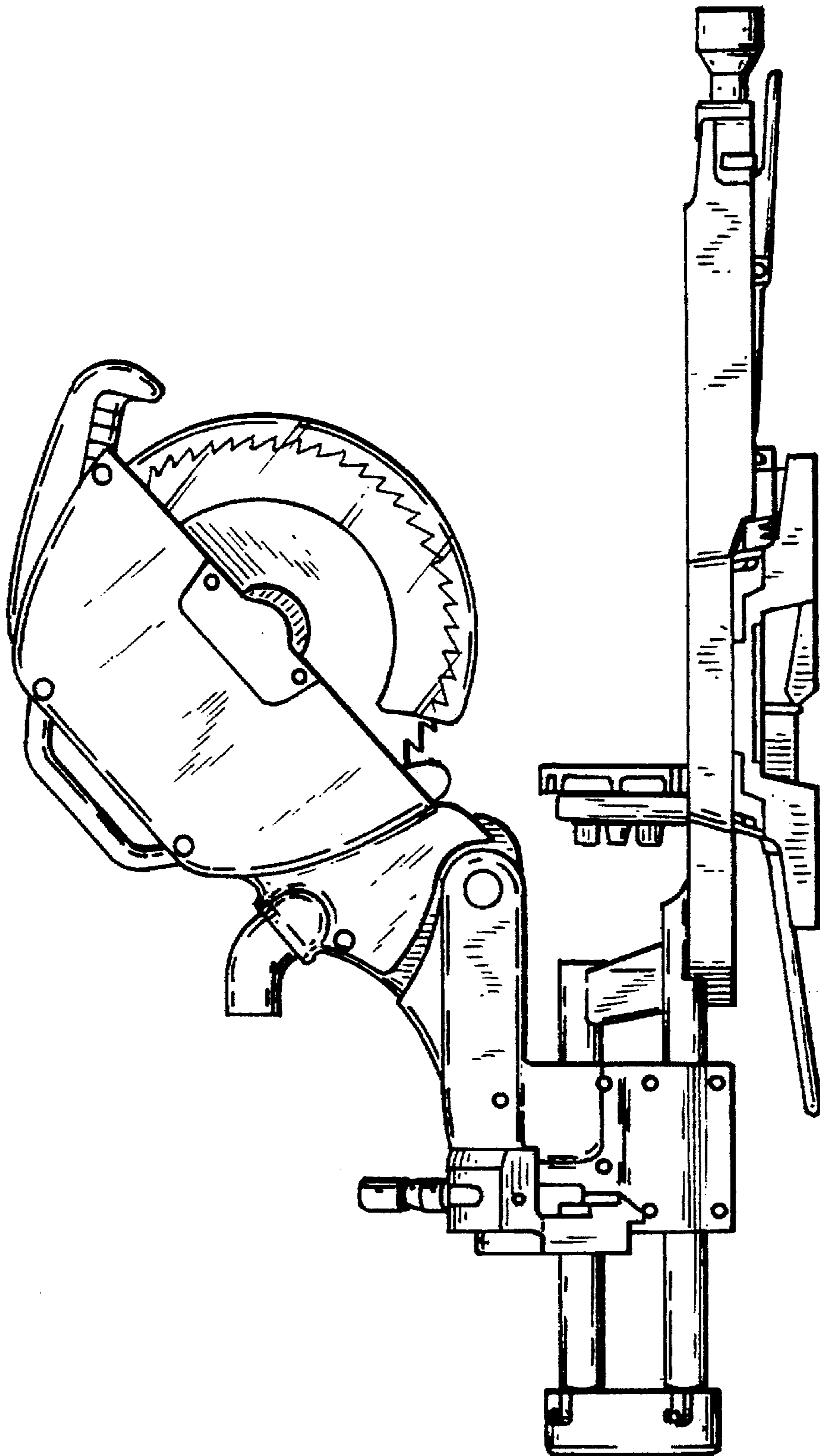




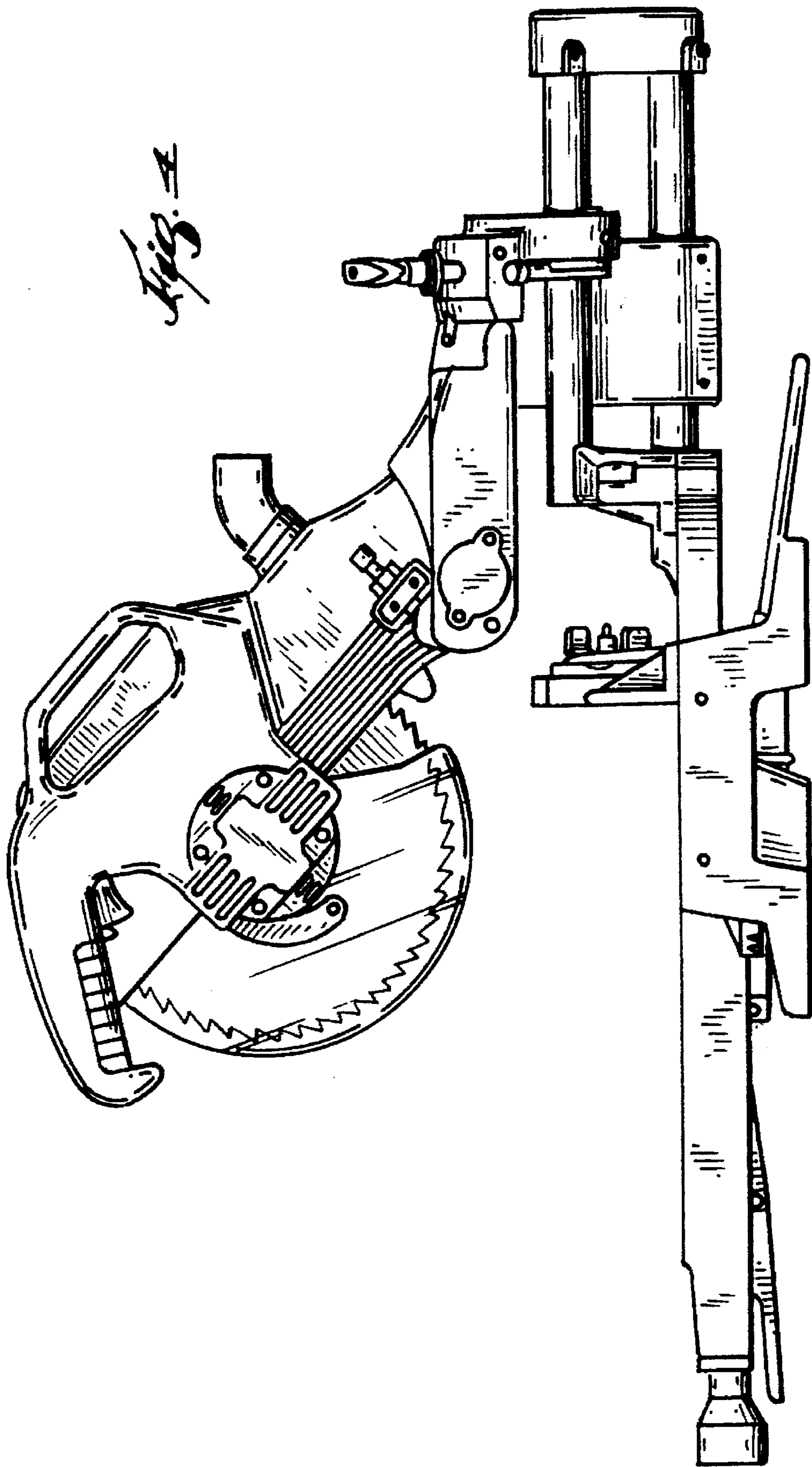




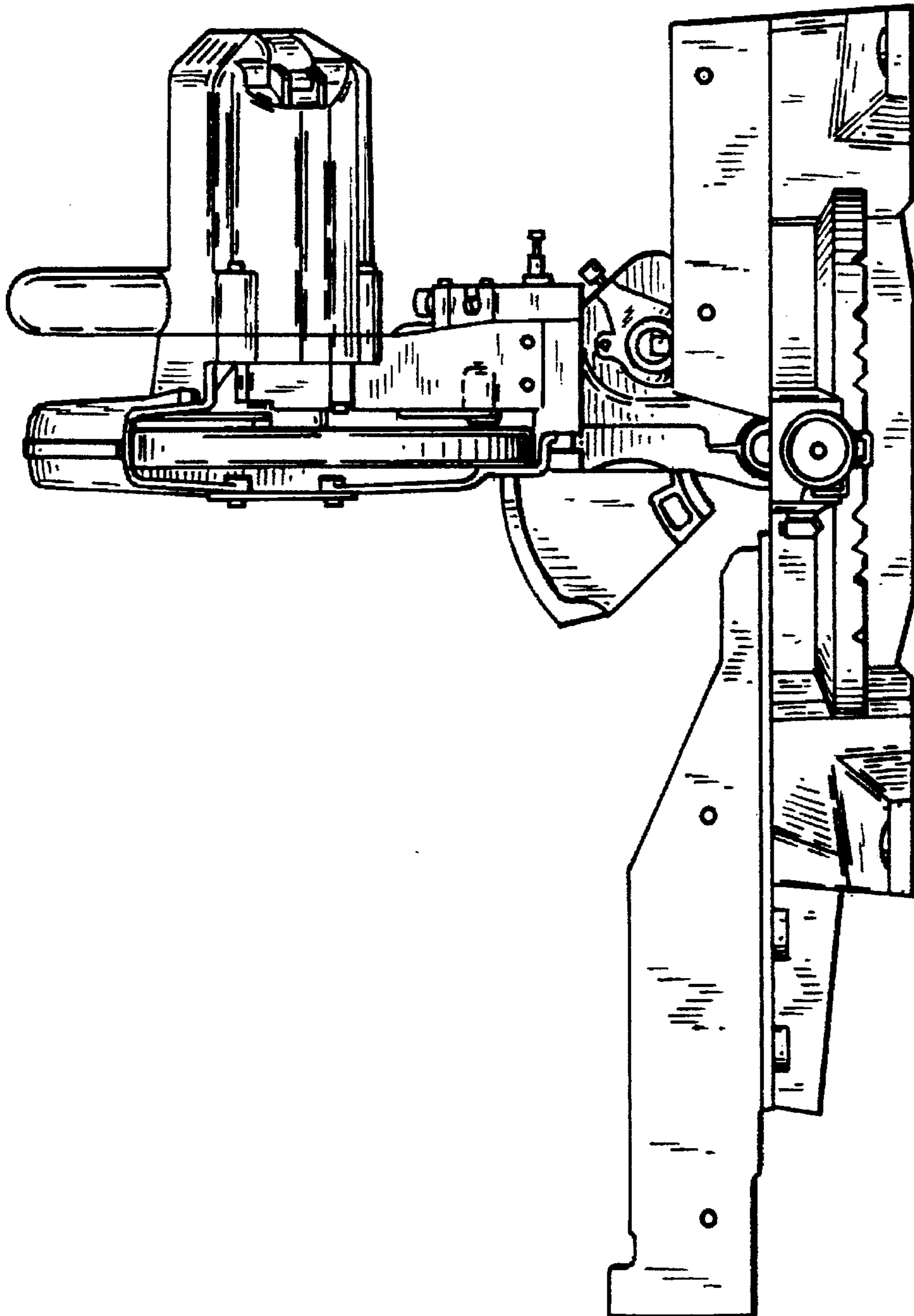
*Fig. 2.*

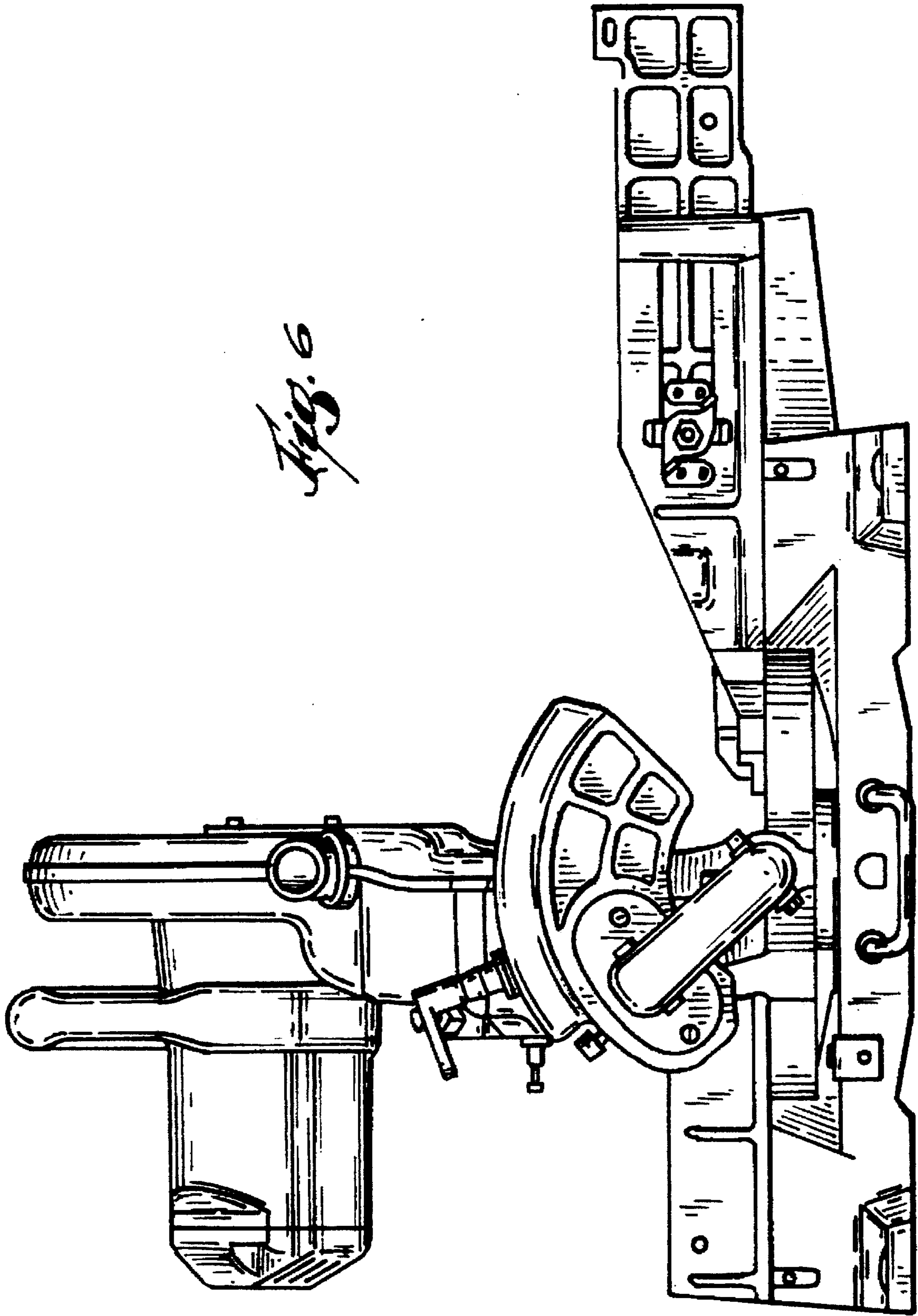


*Fig. 3*



*Fig. 5*





*Fig. 6*