



US00D381666S

United States Patent [19]
Del Zotto

[11] **Patent Number:** **Des. 381,666**
[45] **Date of Patent:** ****Jul. 29, 1997**

[54] **PORTABLE REDUCTION GRINDER**

5,417,375 5/1995 Peterson et al. 241/101.76

[76] **Inventor:** **William M. Del Zotto, 2300
Commonwealth Ave., Duluth, Minn.
55808-1699**

*Primary Examiner—Sandra L. Morris
Attorney, Agent, or Firm—D. L. Tschida*

[**] **Term:** **14 Years**

[57] **CLAIM**

The ornmental design for a portable reduction grinder, as shown.

[21] **Appl. No.:** **47,981**

[22] **Filed:** **Dec. 18, 1995**

DESCRIPTION

[51] **LOC (6) Cl.** **15-04**

[52] **U.S. Cl.** **D15/27; D15/10**

[58] **Field of Search** **D15/10-12, 21,
D15/22, 27; 241/34, 101.72, 101.75, 101.76,
101.763, 137, 171, 200; 451/344**

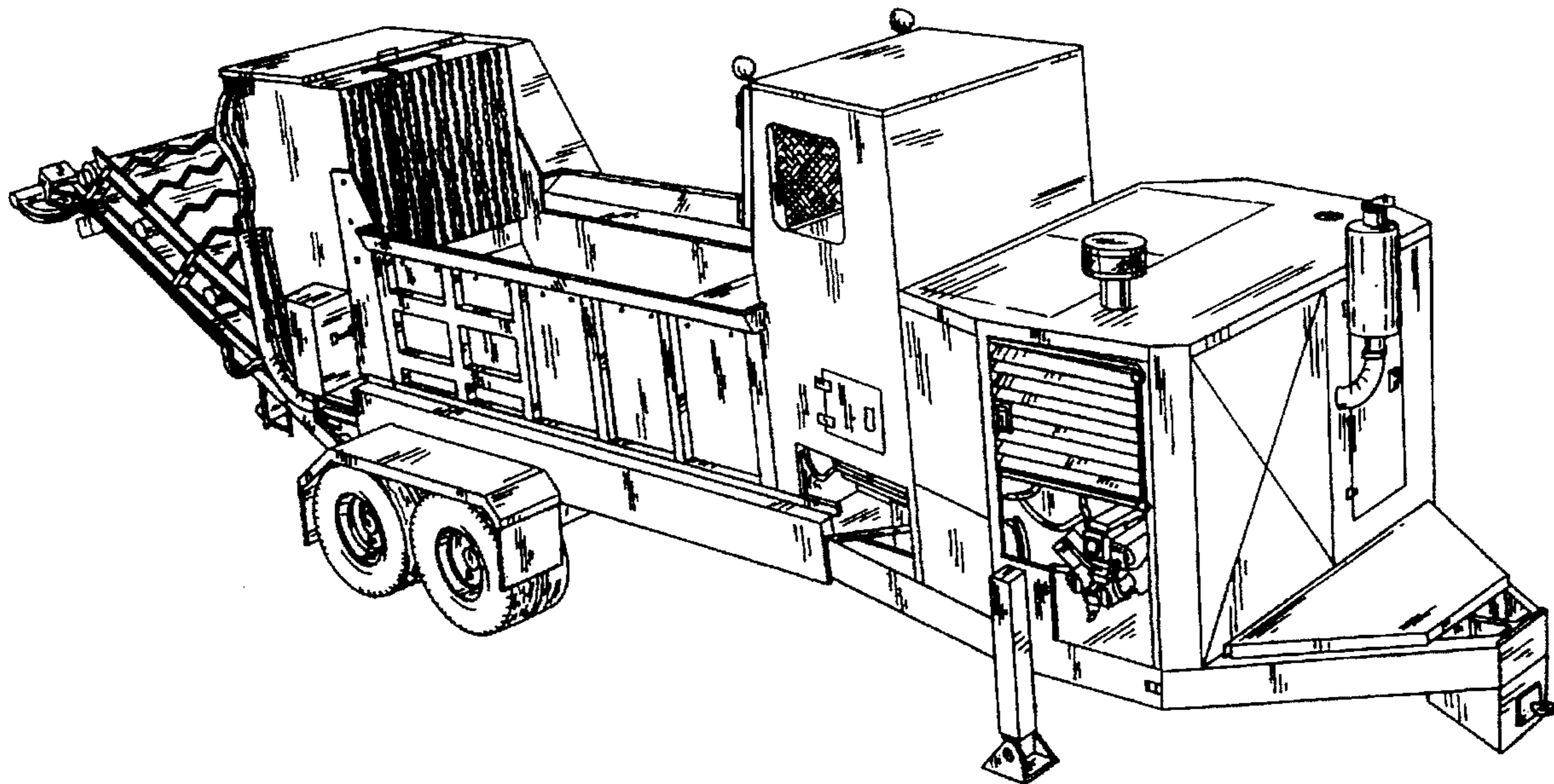
FIG. 1 is a perspective drawing showing front, top and right end views of my portable reduction grinder;
FIG. 2 is an elevation drawing showing the rear view thereof;
FIG. 3 is a perspective drawing showing right end and rear views thereof;
FIG. 4 is a perspective drawing showing rear and left end views thereof;
FIG. 5 is a perspective drawing showing front and right end views thereof; and,
FIG. 6 is a top plan view thereof.

[56] **References Cited**

U.S. PATENT DOCUMENTS

5,063,713 11/1991 Buchheit, Jr. 451/344
5,205,496 4/1993 O'Donnell et al. 241/34
5,282,713 2/1994 Lande 241/200

1 Claim, 6 Drawing Sheets



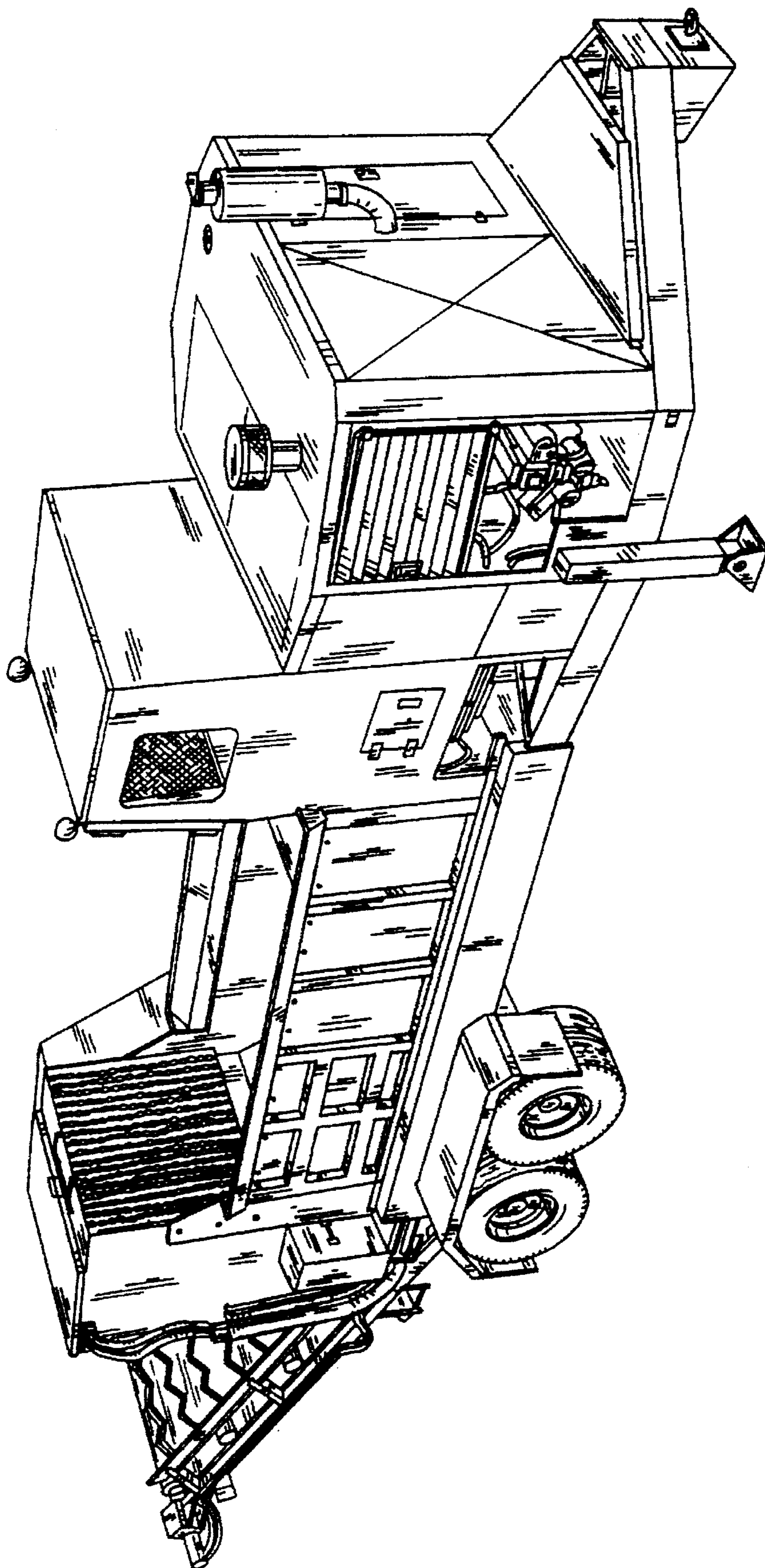


FIG. 1

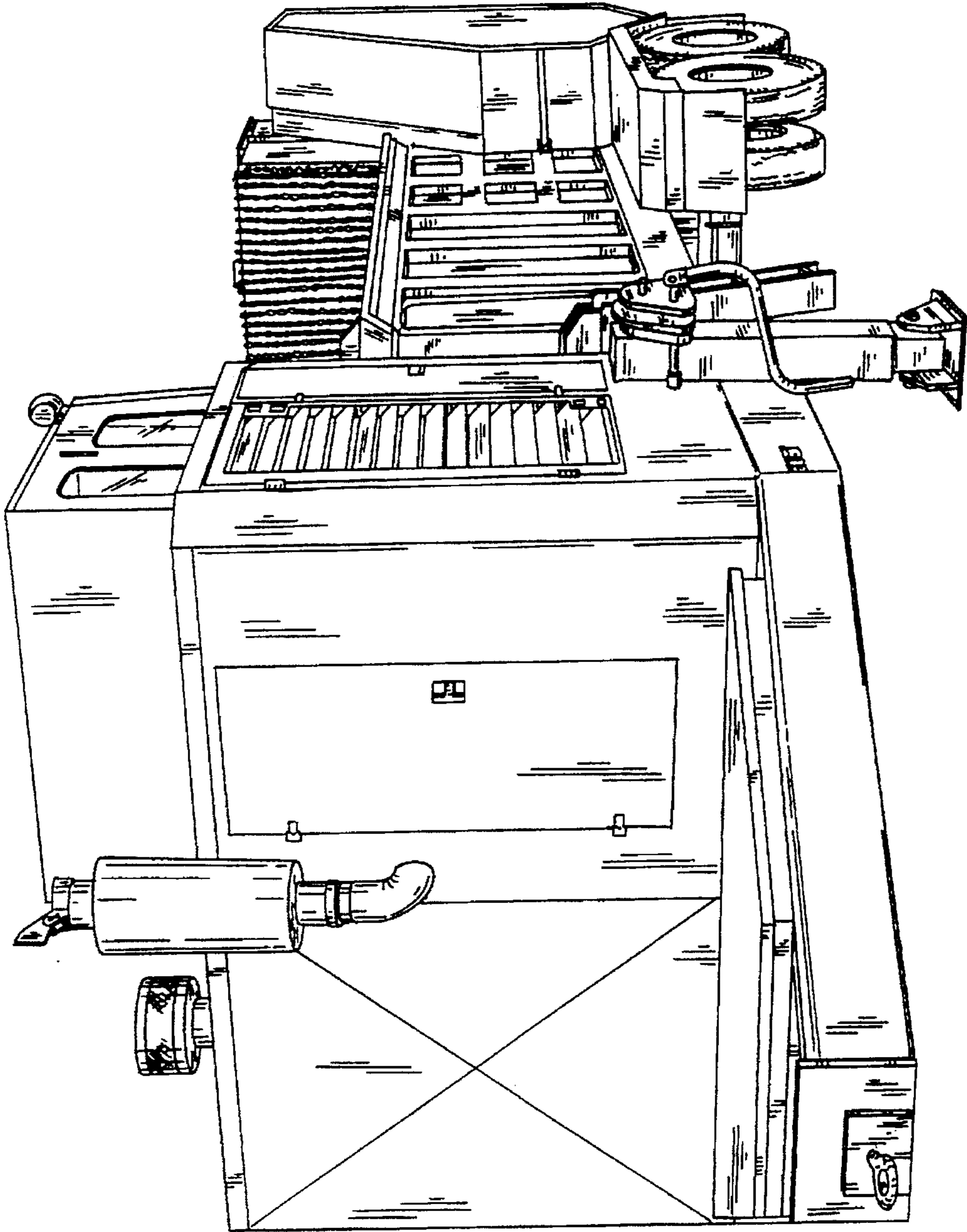


FIG. 3

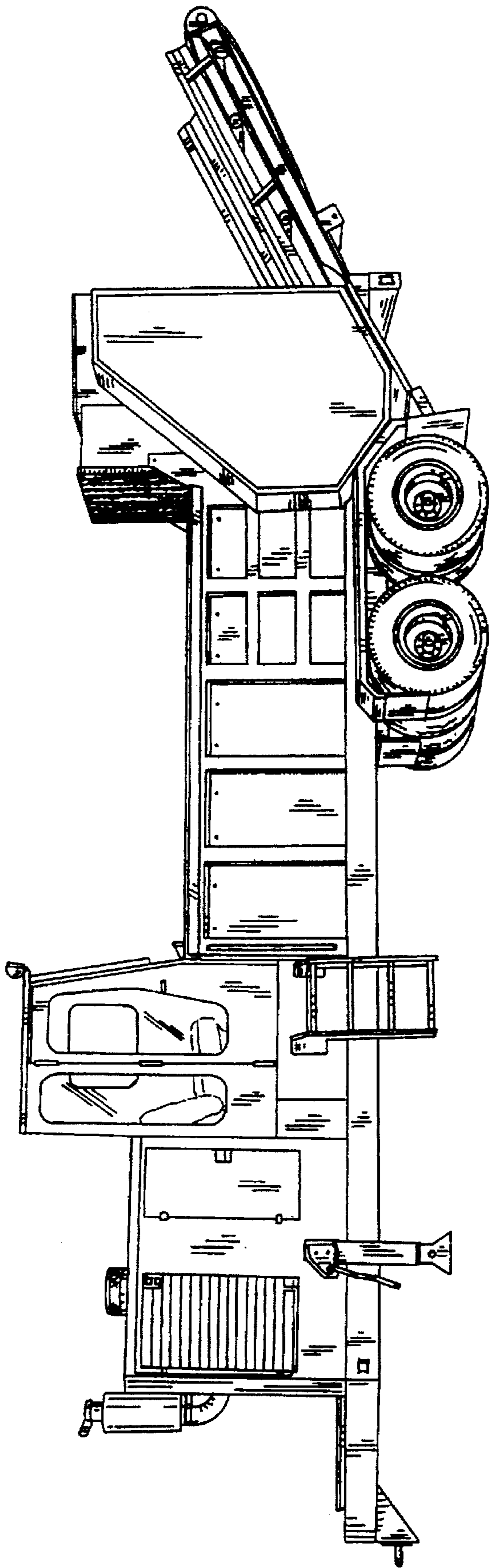


FIG. 2

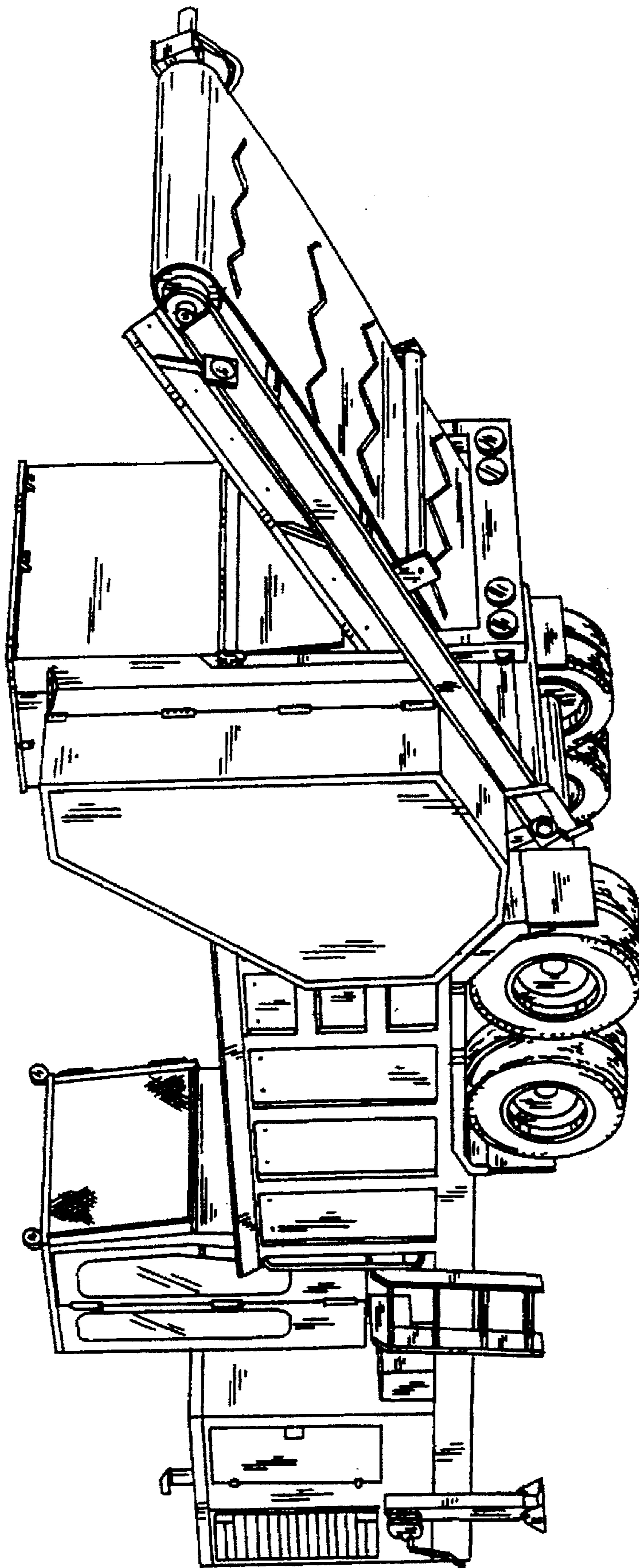


FIG. 4

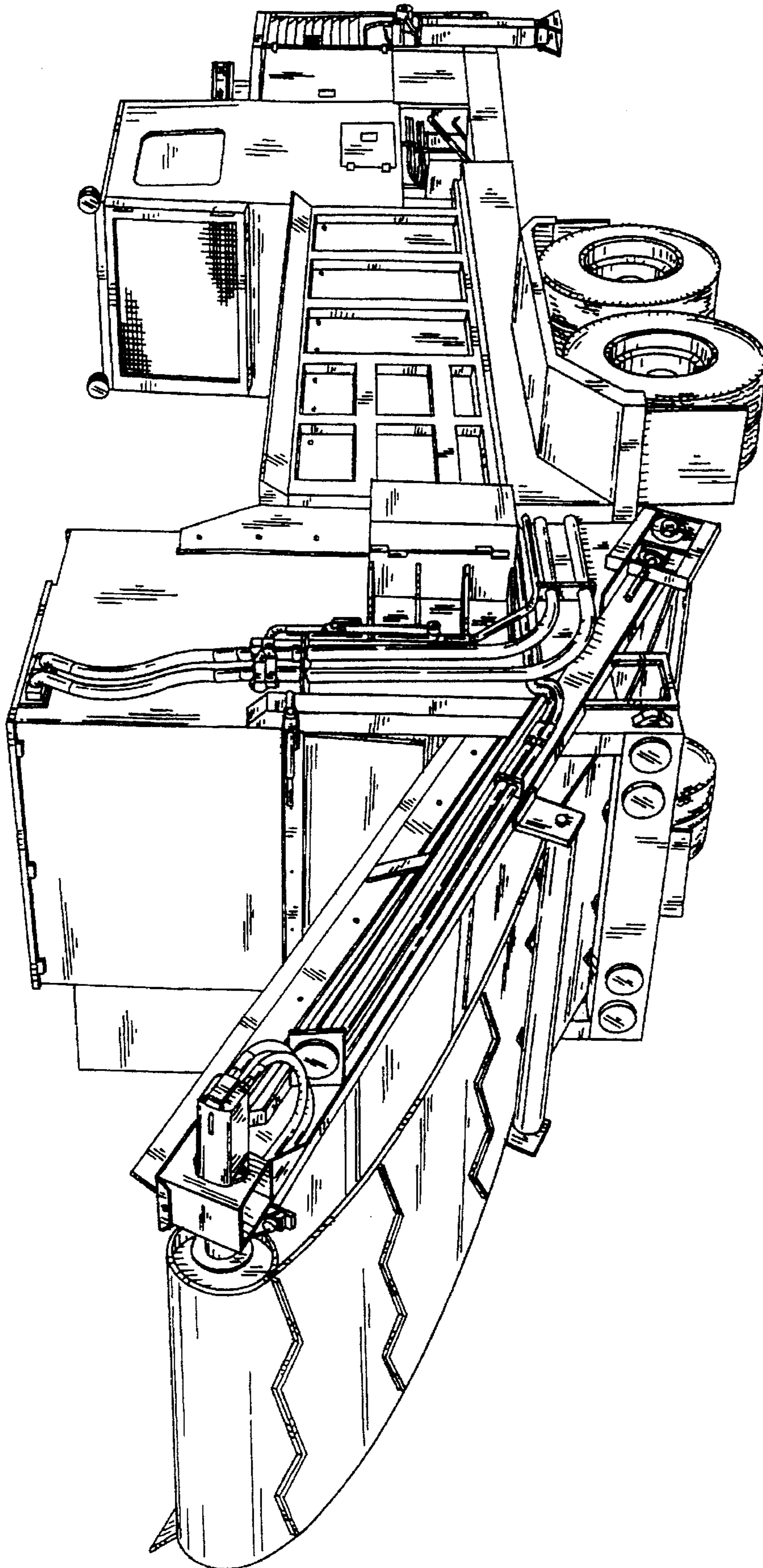


FIG. 5

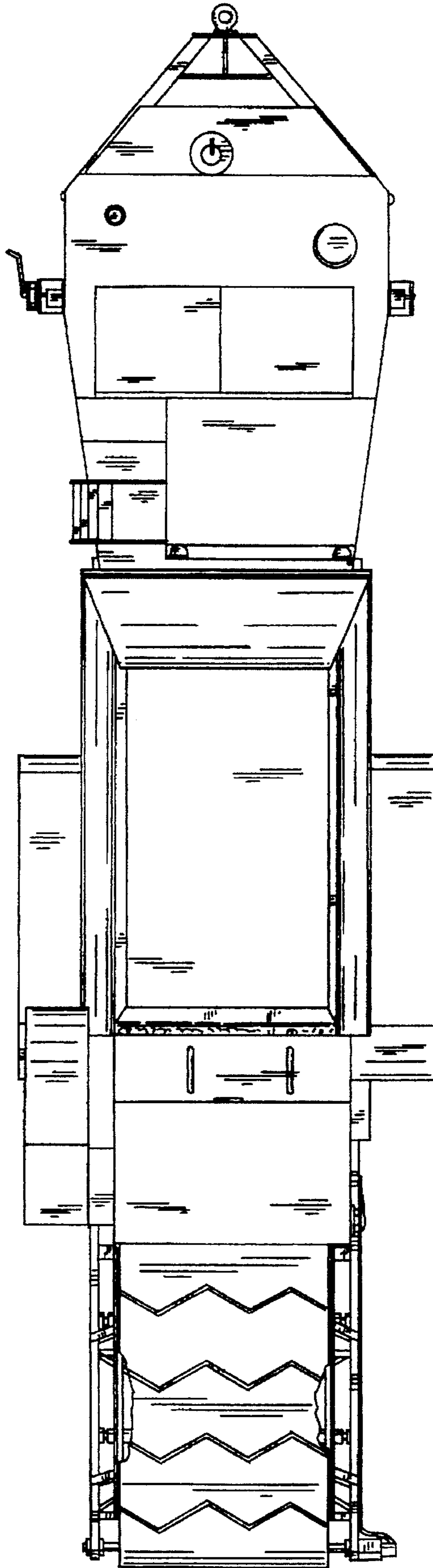


FIG. 6