



US00D381665S

United States Patent [19]

Hinklin et al.

[11] Patent Number: Des. 381,665

[45] Date of Patent: **Jul. 29, 1997

[54] **LAWN MOWER**

5,398,489 3/1995 Oshima 56/17.2

[75] Inventors: **Darrell W. Hinklin**, Excelsior;
Anthony N. Pink, Shorewood, both of
Minn.

[73] Assignee: **The Toro Company**, Bloomington,
Minn.

[**] Term: **14 Years**

[21] Appl. No.: **55,207**

[22] Filed: **May 31, 1996**

[51] **LOC (6) Cl.** **15-03**

[52] **U.S. Cl.** **D15/14**

[58] **Field of Search** D15/10, 14-18;
56/12.8, 13.4, 16.7, 17.5, 202, 254, 255,
294, 320.1, 320.2

[56] **References Cited**

U.S. PATENT DOCUMENTS

D. 330,210	10/1992	Sirois et al.	D15/14
D. 332,270	1/1993	Hefty	D15/14
D. 333,309	2/1993	Hess et al.	D15/14
D. 346,810	5/1994	Schulz et al.	D15/14
D. 347,640	6/1994	Chunn et al.	D15/14
D. 356,581	3/1995	Chunn et al.	D15/14
D. 361,771	8/1995	Ledingham	D15/14
D. 374,017	9/1996	Chunn et al.	D15/14
3,855,763	12/1974	Seifert et al.	56/320.2
4,051,648	10/1977	Uhlinger et al.	56/255
4,194,345	3/1980	Ploch et al.	56/17.5
5,101,617	4/1992	Hare et al.	56/320.1

OTHER PUBLICATIONS

1989 Sears Catalog p. 24 Craftsman Side Discharge Mower
"B".

Black & Decker 1991 Catalog p. 5 M200 Mower.

Horticulture May 1993 p. 49 Ryobi Mulching Mower.

Toro 16" Carefree Electric Mower, Owner's Manual
#3310-748, Copyright 1976.

Primary Examiner—Sandra L. Morris

Attorney, Agent, or Firm—John F. Klos

[57] **CLAIM**

The ornamental design for a lawn mower, as shown.

DESCRIPTION

FIG. 1 is a top, front, and right side perspective view of a
lawn mower showing our new design;

FIG. 2 is a front elevational view of FIG. 1;

FIG. 3 is a right side elevational view of FIG. 1;

FIG. 4 is a left side elevational view of FIG. 1;

FIG. 5 is a rear elevational view of FIG. 1;

FIG. 6 is a top plan view of FIG. 1;

FIG. 7 is a top, front, and right side perspective view of a
lawn mower showing a second embodiment of our new
design;

FIG. 8 is a front elevational view of FIG. 7;

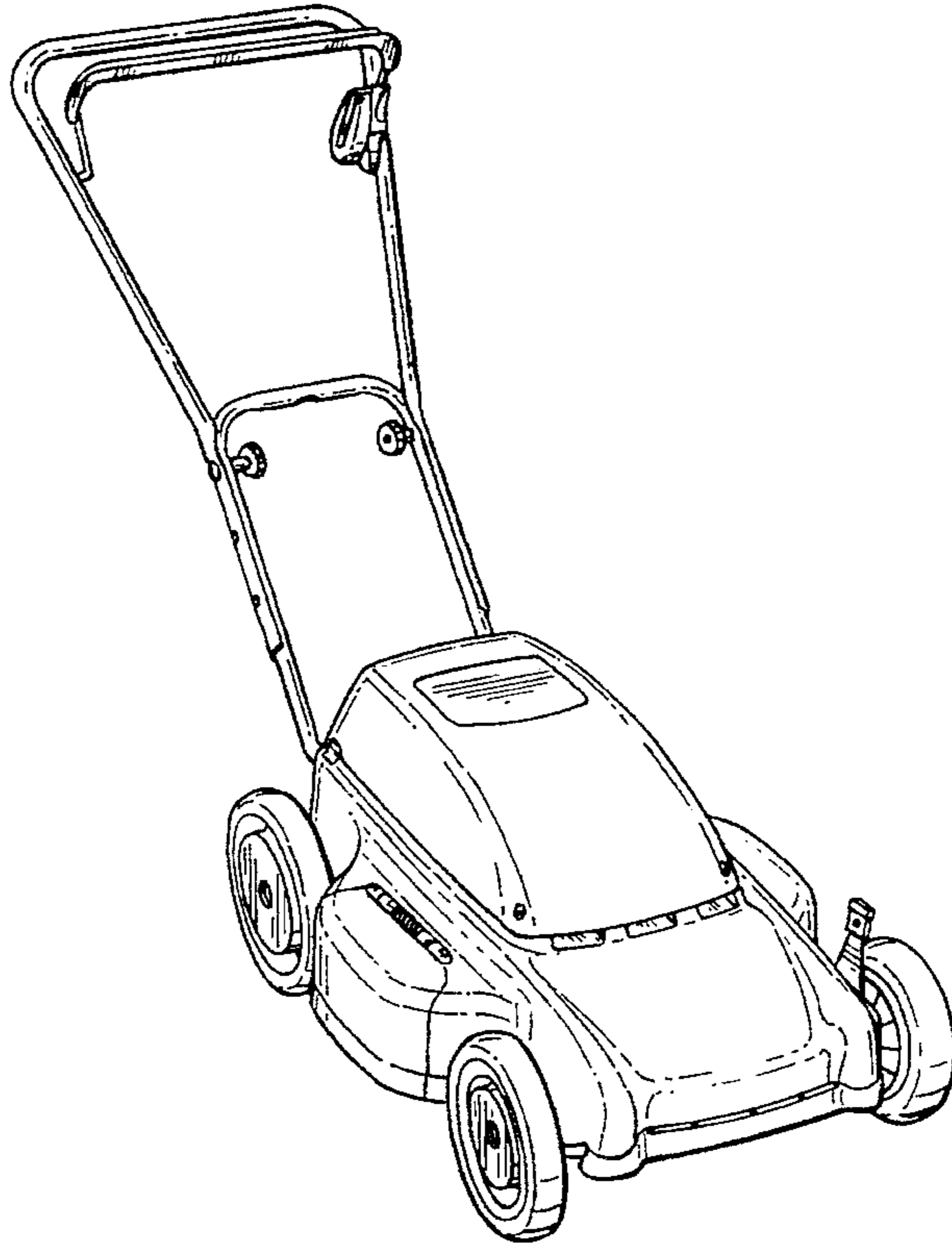
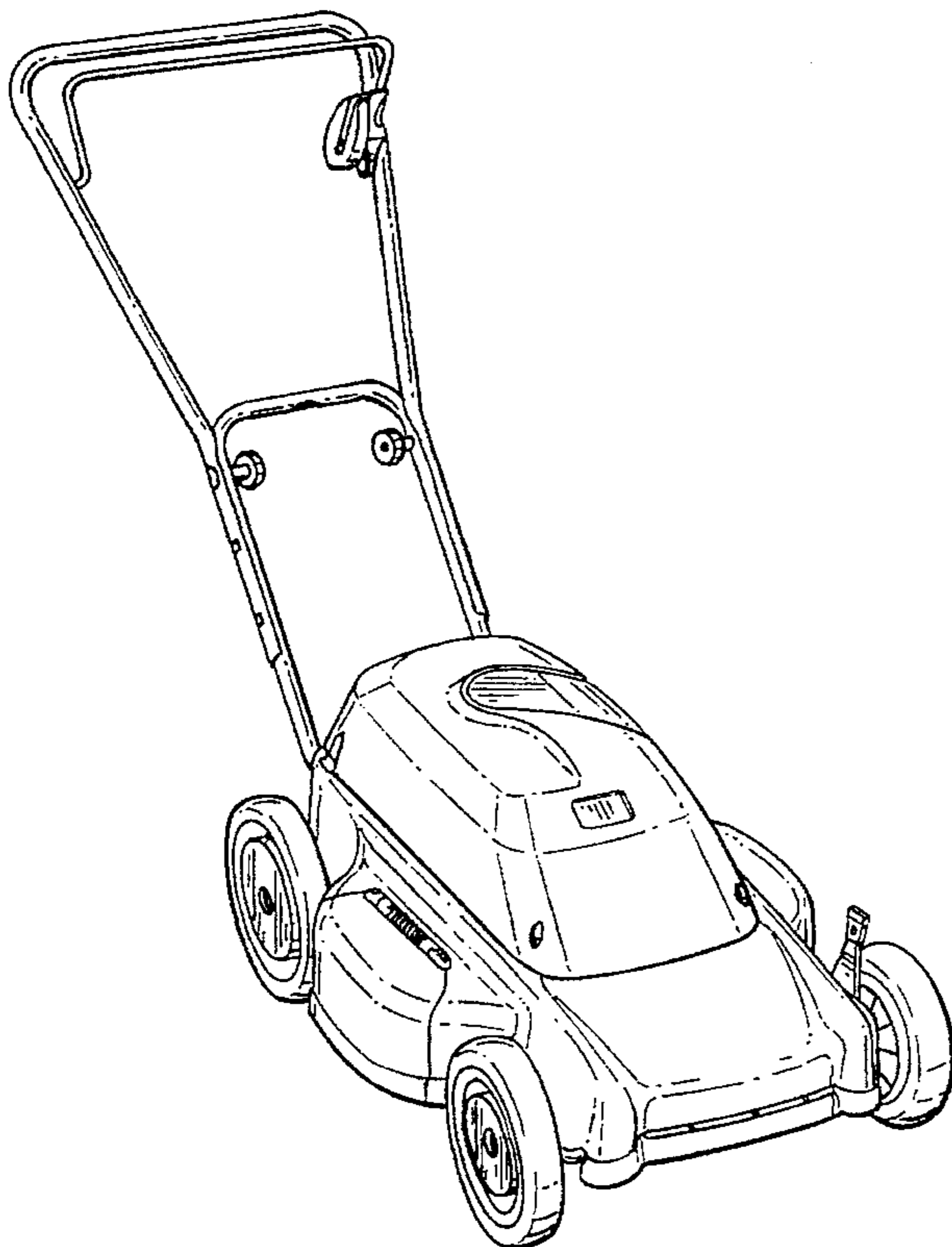
FIG. 9 is a right side elevational view of FIG. 7;

FIG. 10 is a left side elevational view of FIG. 7;

FIG. 11 is a rear elevational view of FIG. 7; and,

FIG. 12 is a top plan view of FIG. 7.

1 Claim, 8 Drawing Sheets



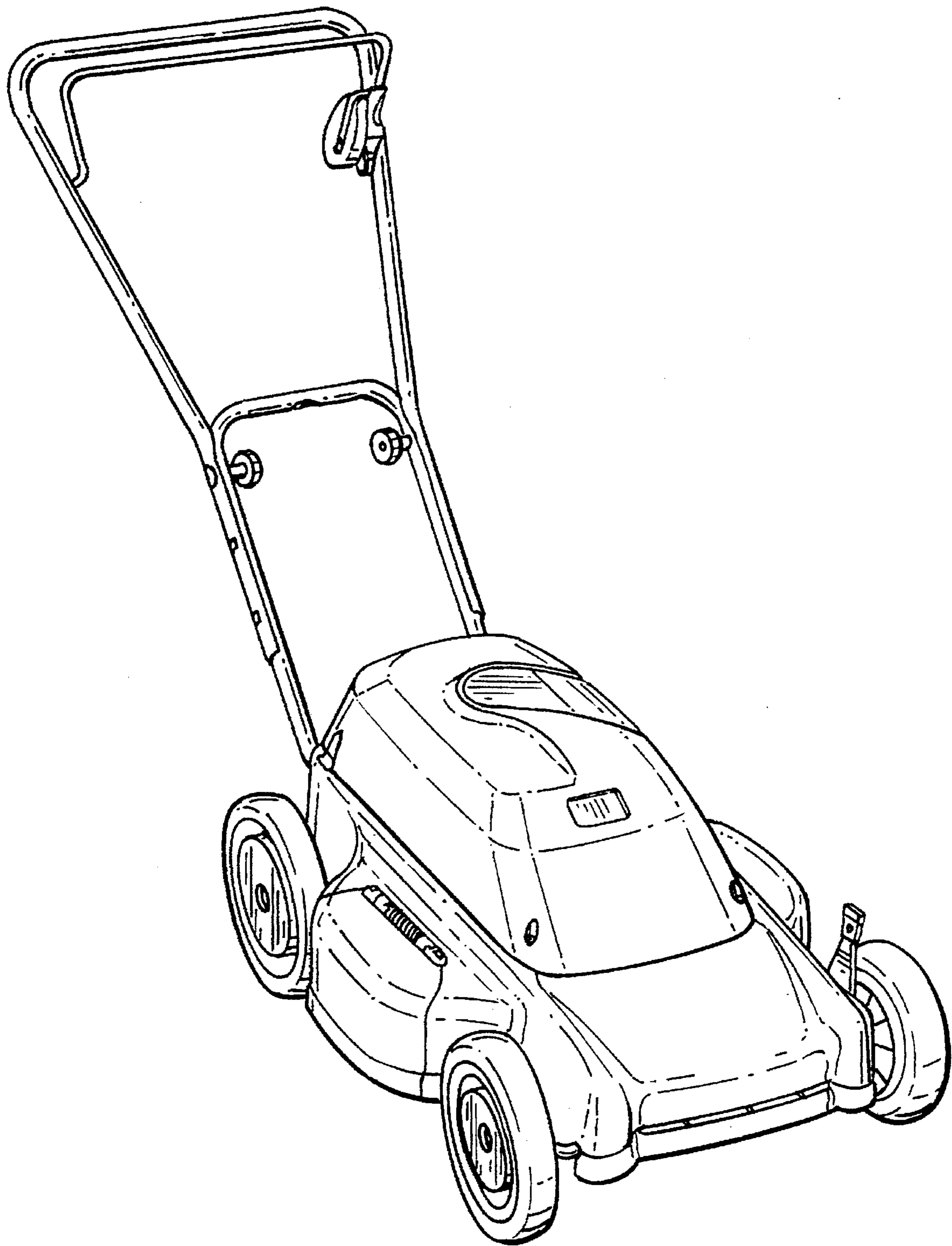


FIG. 1

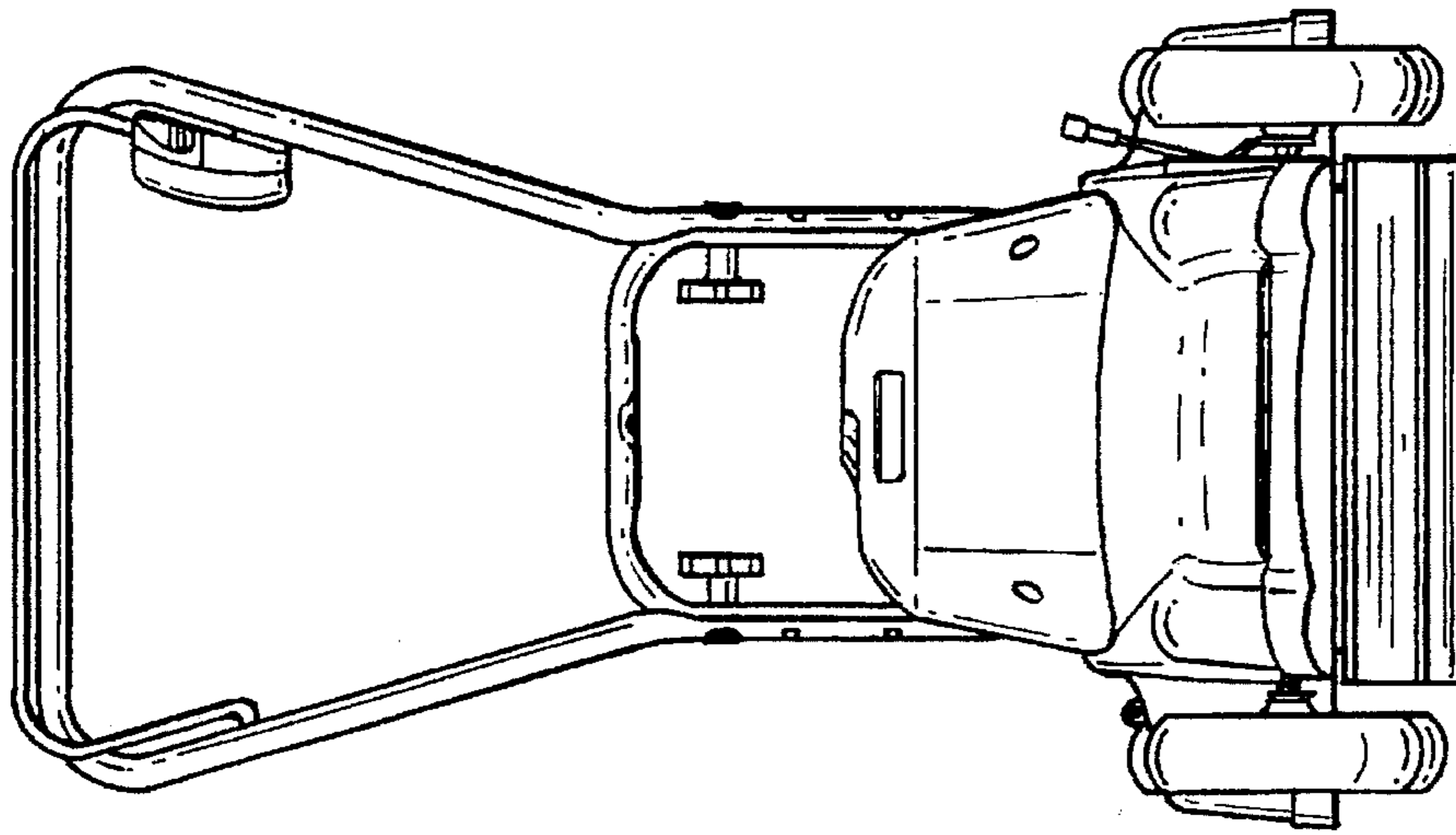


FIG. 2

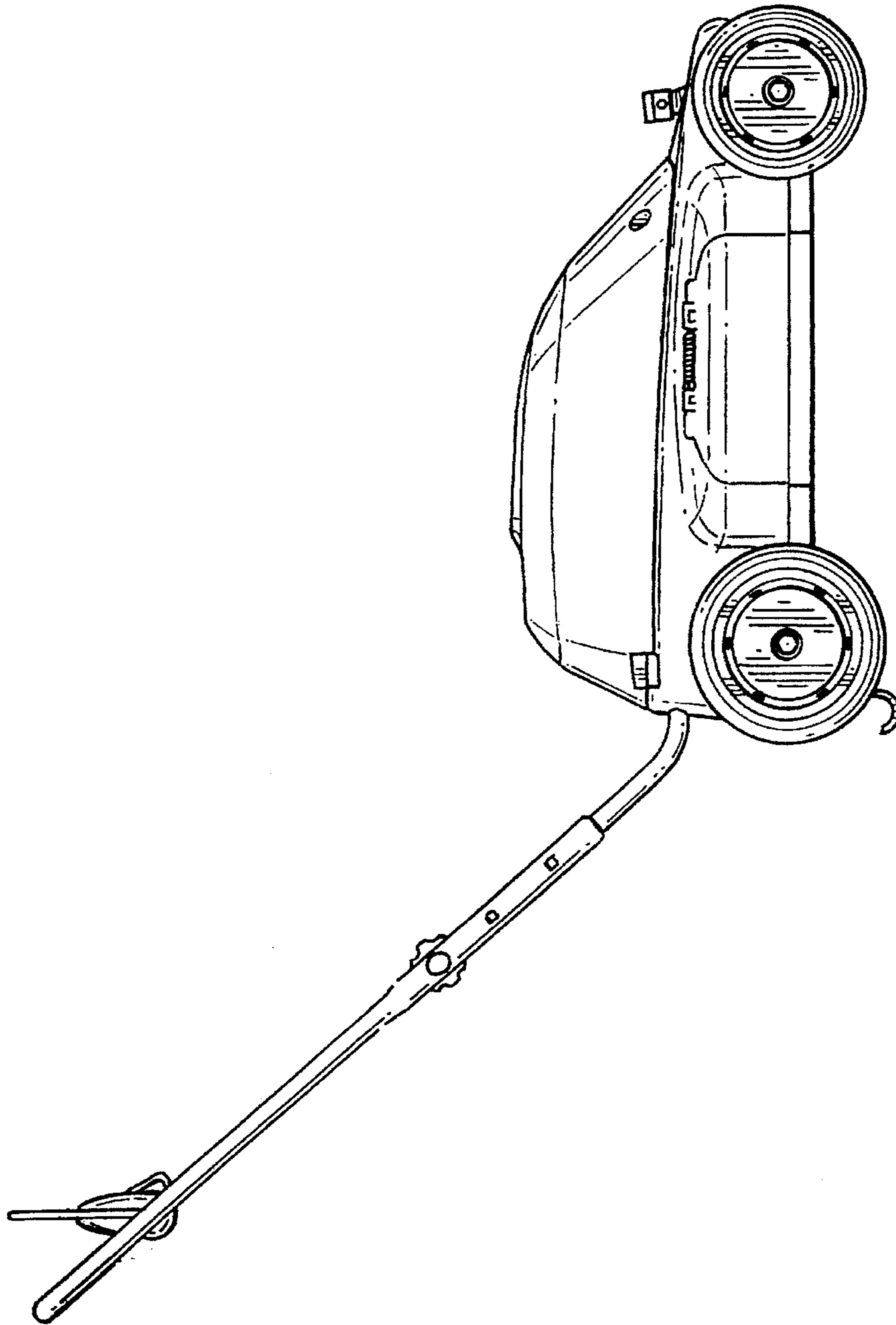


FIG. 3

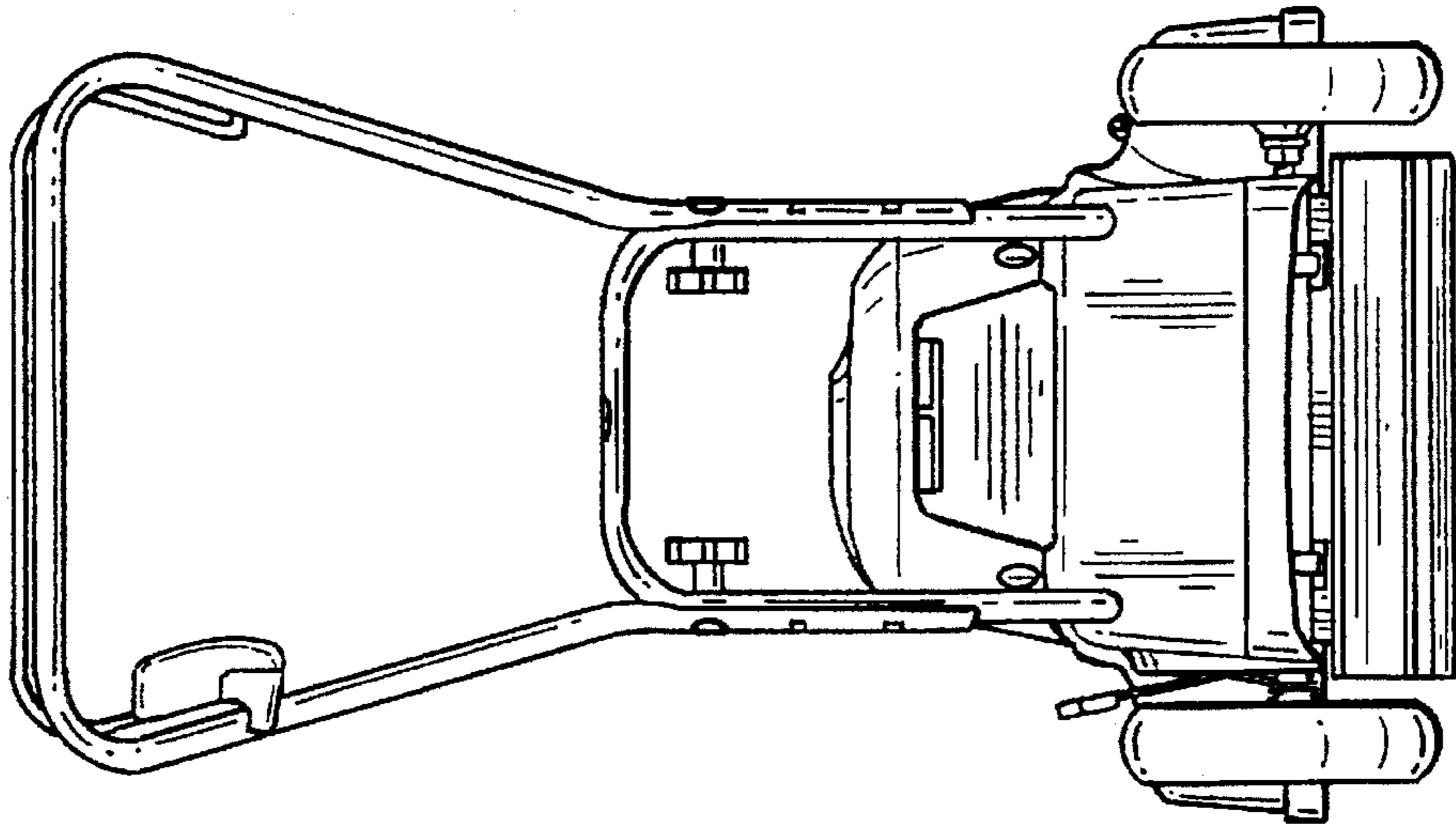


FIG. 5

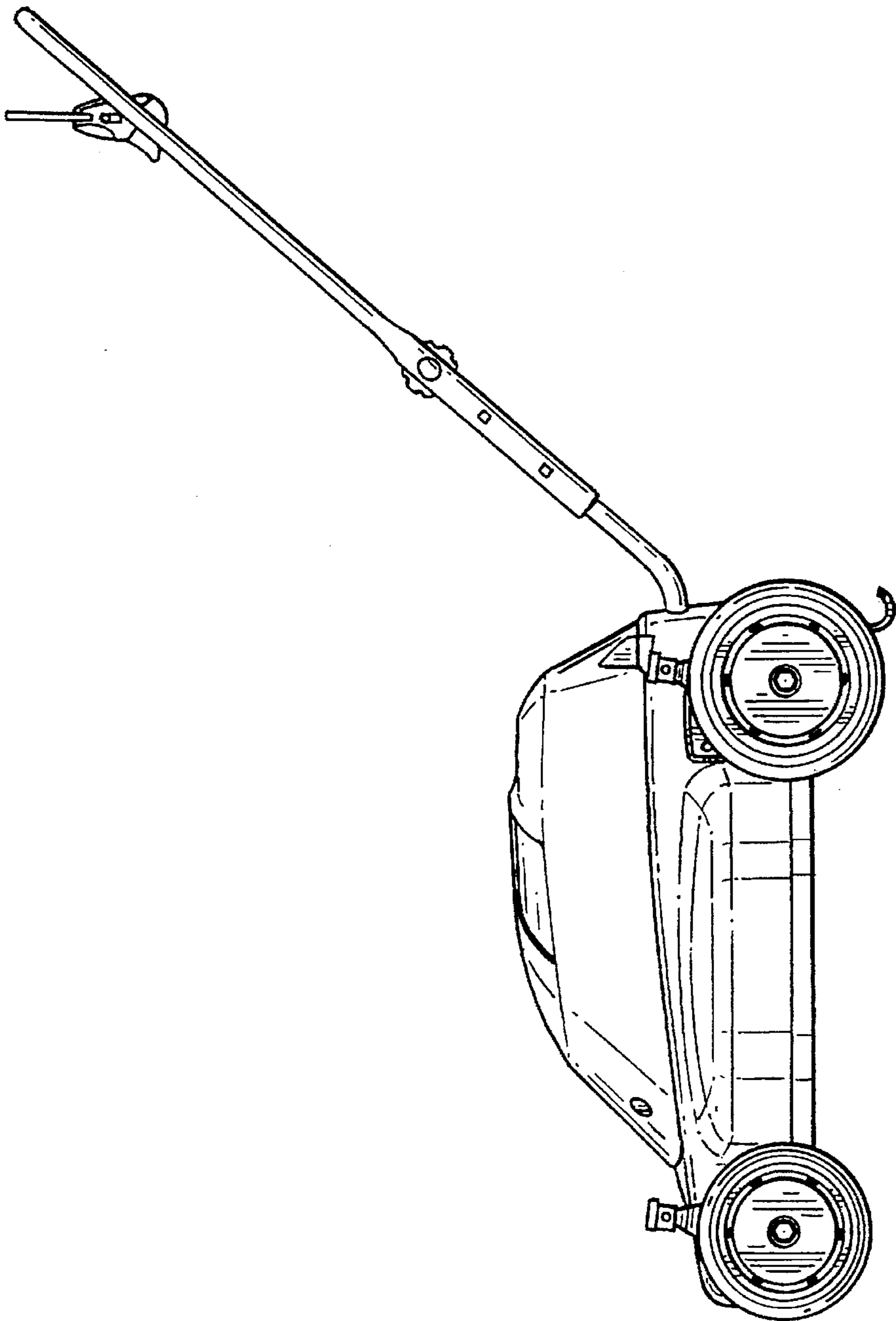


FIG. 4

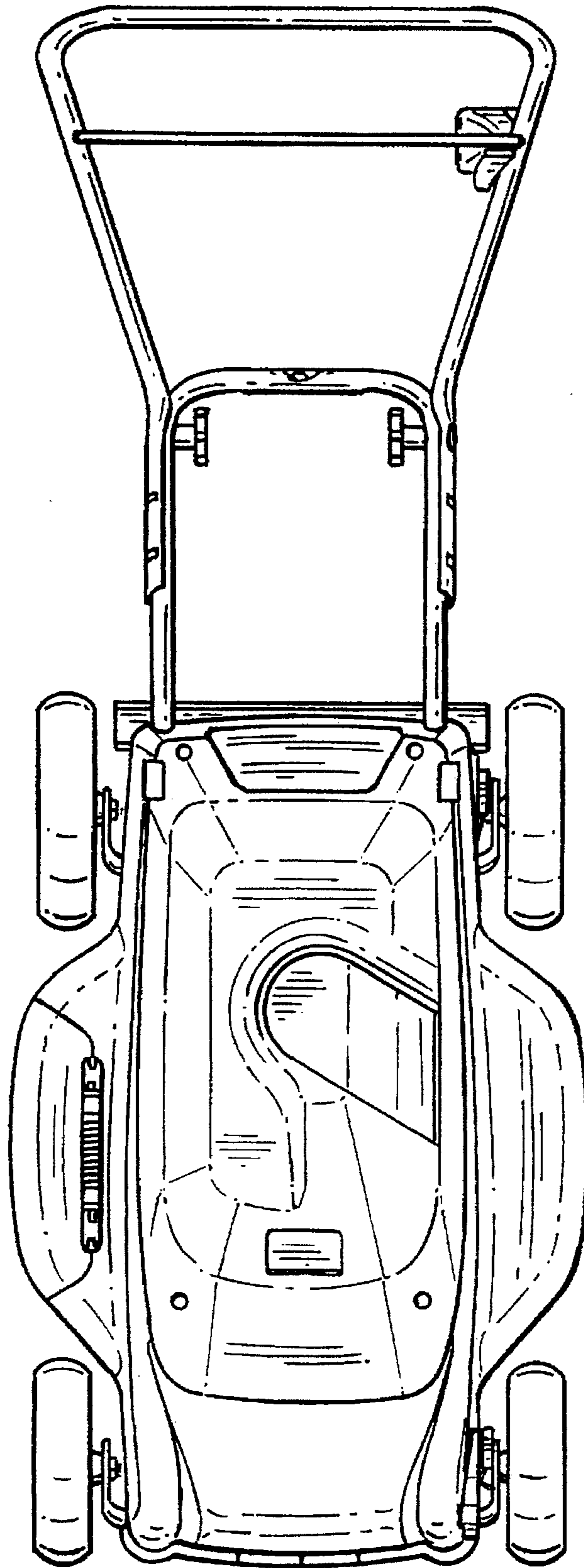


FIG. 6

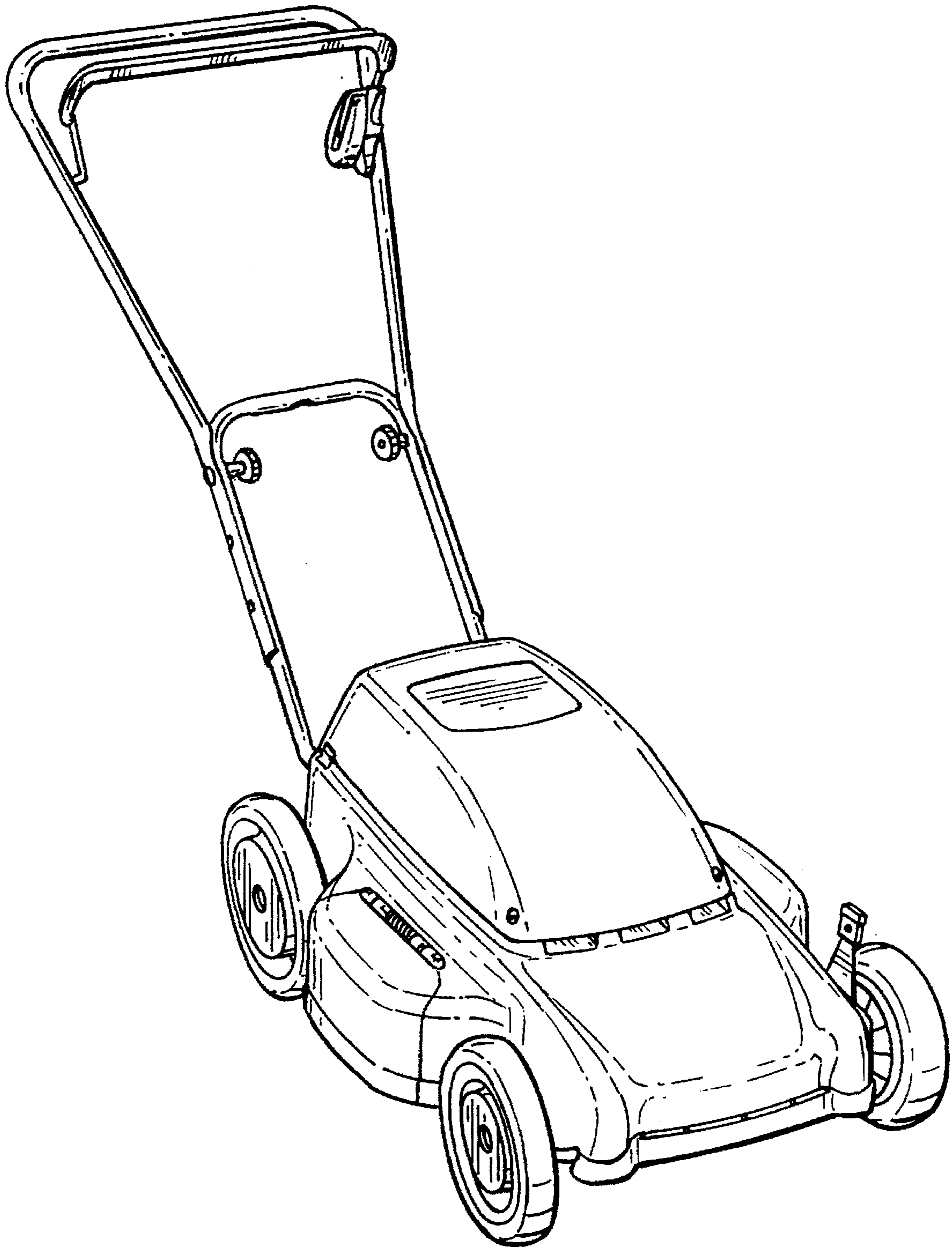


FIG. 7

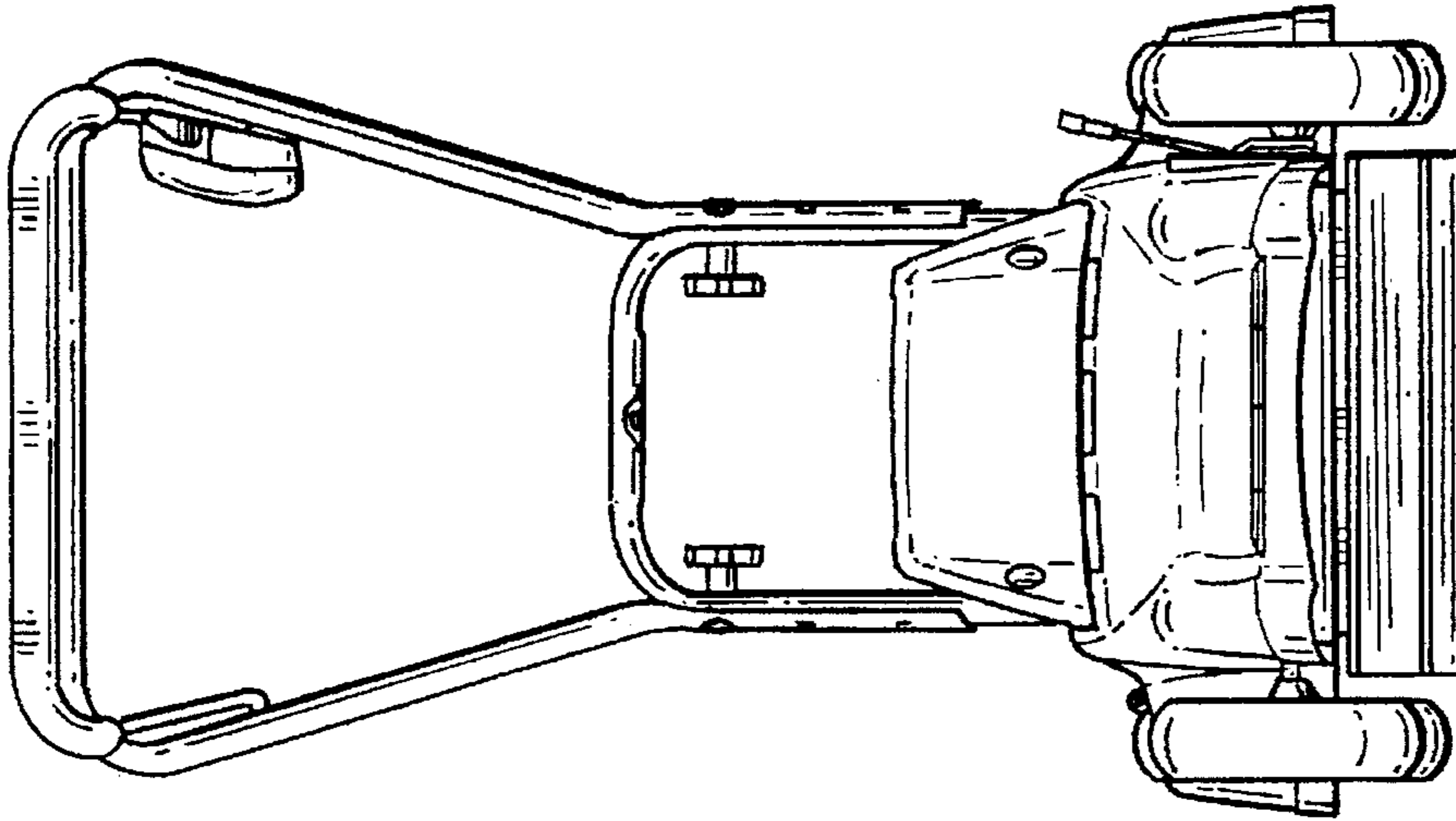


FIG. 8

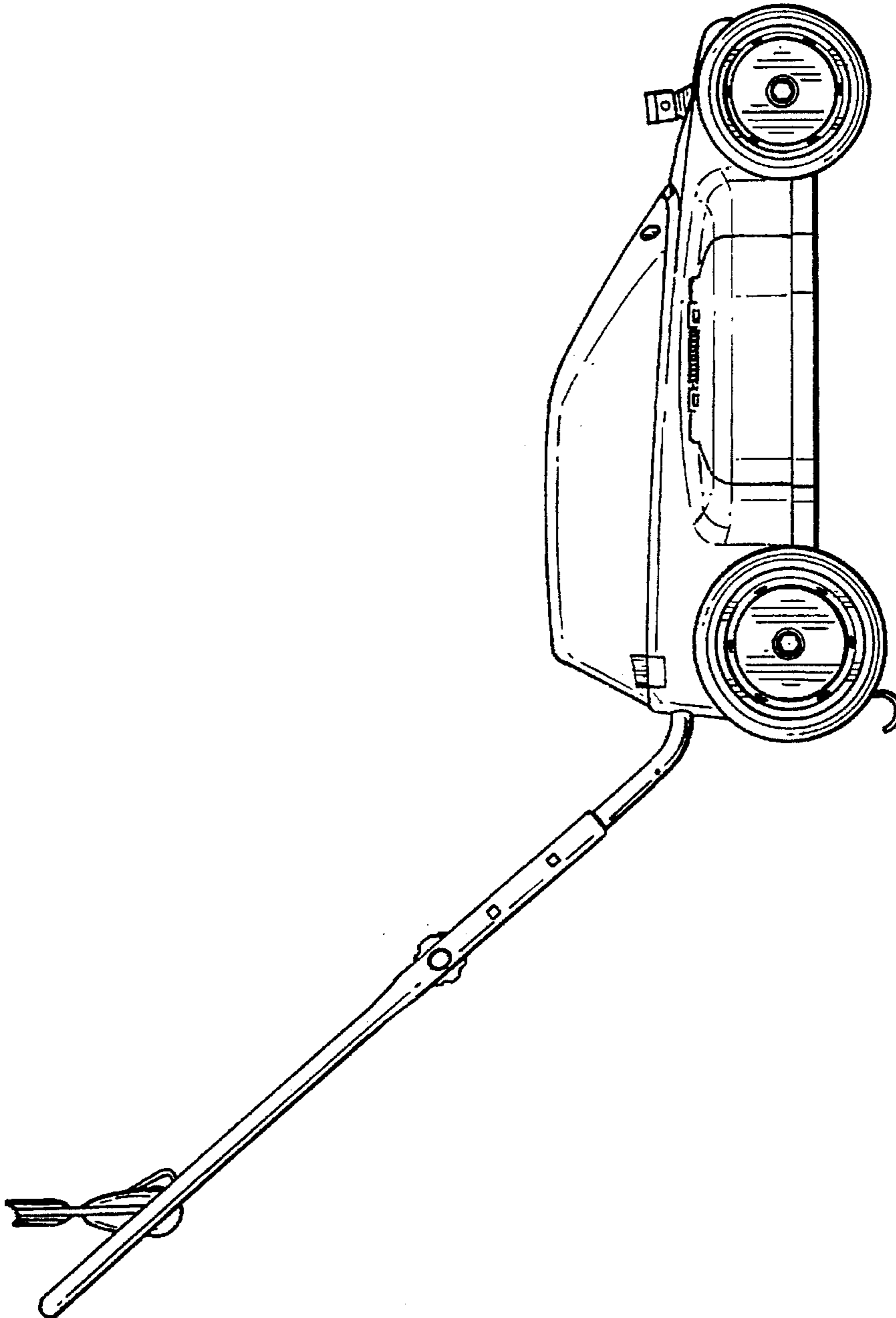


FIG. 9

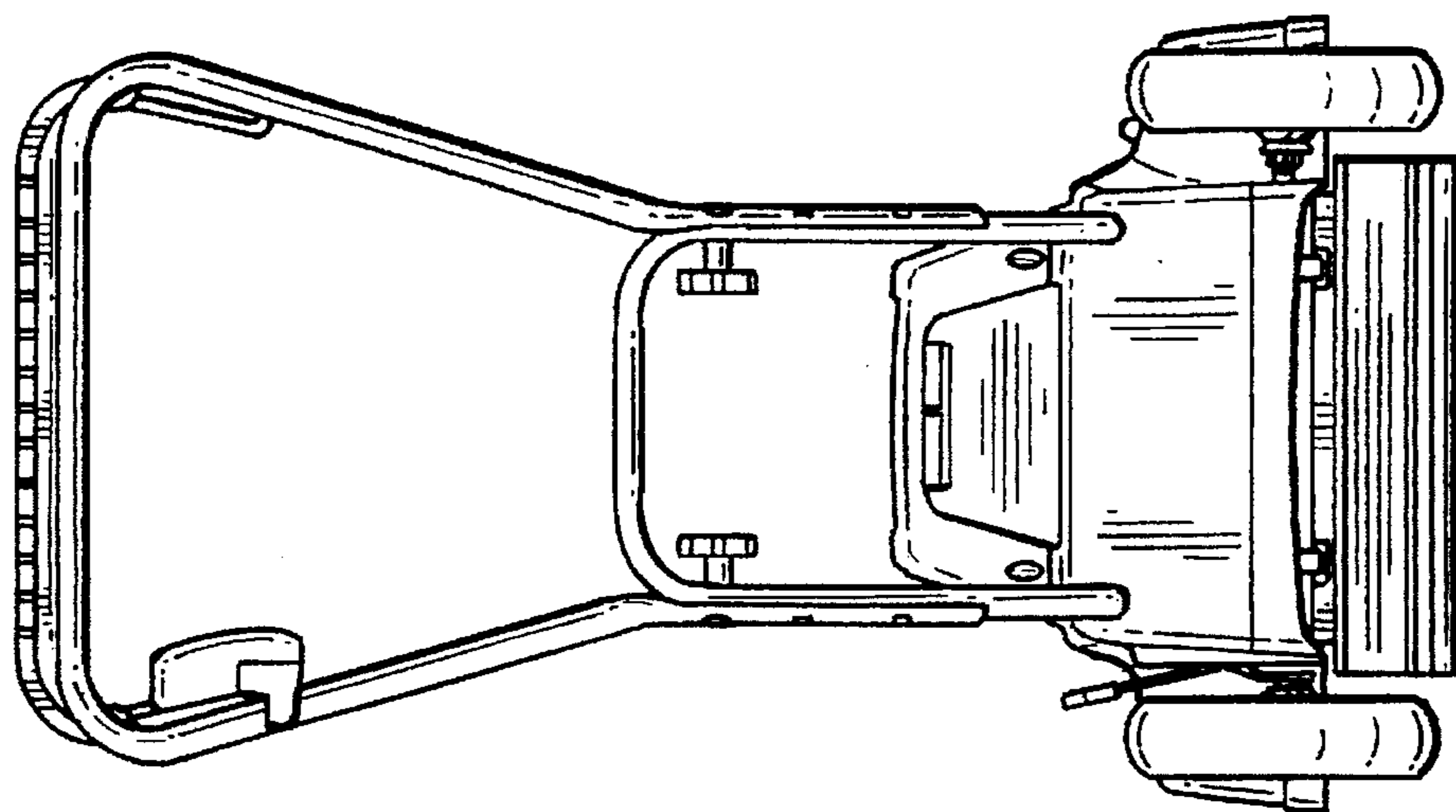


FIG. 11

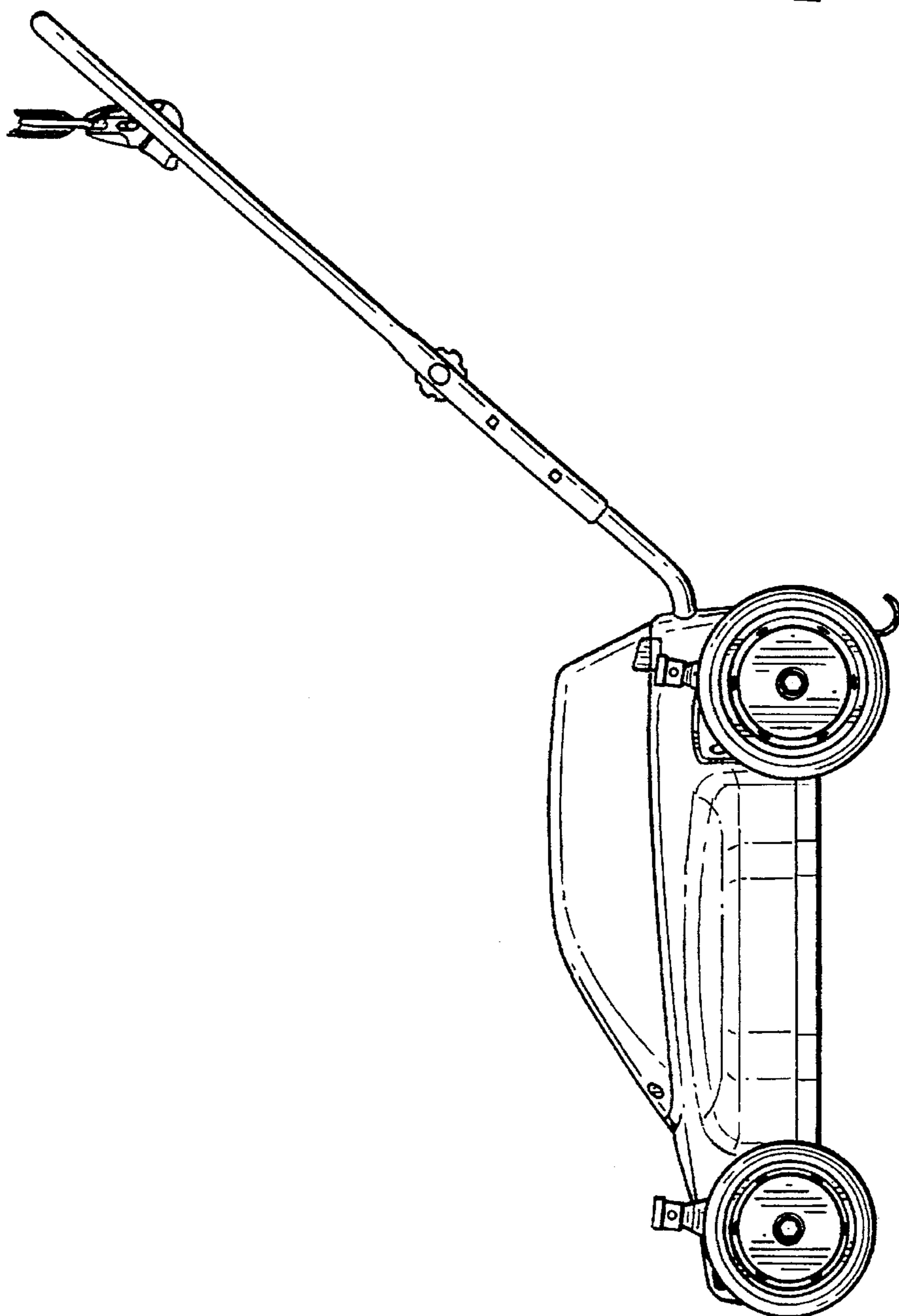


FIG. 10

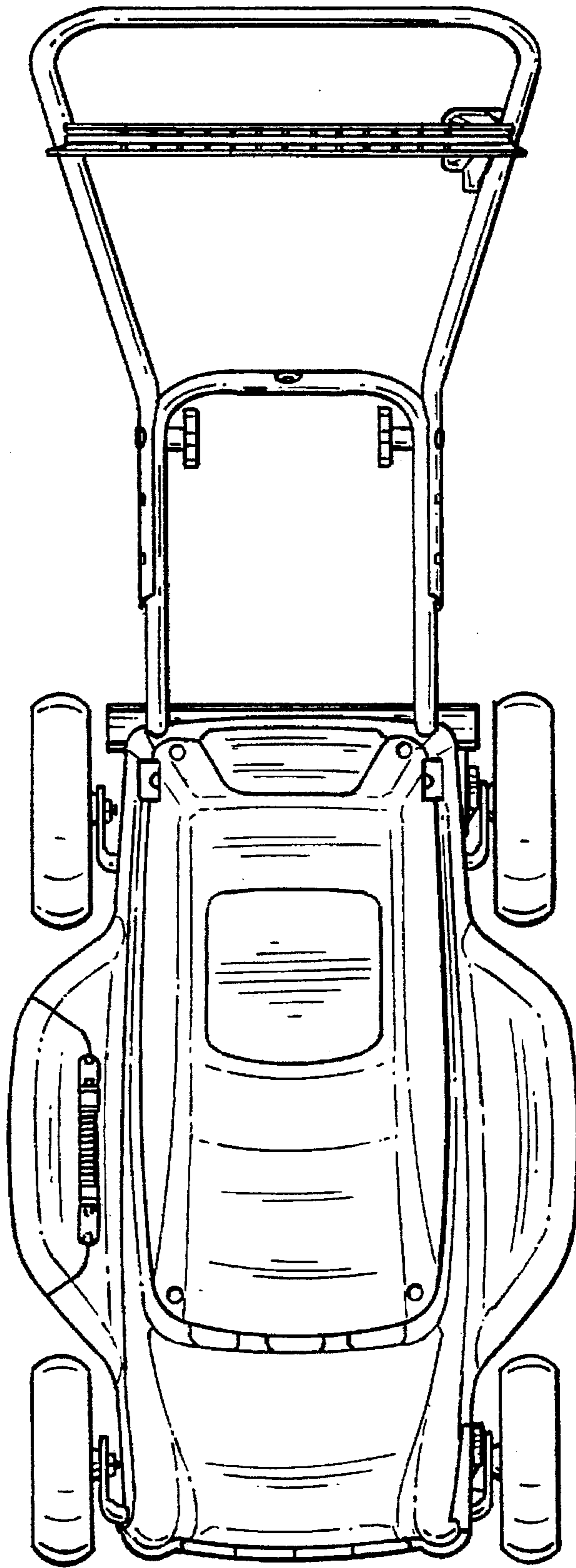


FIG. 12