



US00D381664S

# United States Patent [19]

Williams et al.

[11] Patent Number: **Des. 381,664**

[45] Date of Patent: **\*\*Jul. 29, 1997**

[54] **CASE FOR HOLDING TELEPHONE**

[75] Inventors: **Daniel L. Williams**, Vernon Hills;  
**Daryl Harris**, Evanston, both of Ill.;  
**Barry Sween**, Santa Monica, Calif.;  
**Shaun Flynn**, West Hollywood, Calif.;  
**Ed Cruz**, Newbury Park, Calif.

[73] Assignee: **Motorola, Inc.**, Schaumburg, Ill.

[\*\*] Term: **14 Years**

[21] Appl. No.: **34,302**

[22] Filed: **Feb. 1, 1995**

[51] LOC (6) Cl. .... **14-03**

[52] U.S. Cl. .... **D14/251; D3/218; D14/149**

[58] Field of Search ..... **D3/218; D14/137,**  
**D14/138, 140, 142, 147-149, 240, 250,**  
**251-253; 379/419, 420, 428, 440, 441,**  
**454, 455; D13/107, 108**

[56] **References Cited**

**U.S. PATENT DOCUMENTS**

D. 256,235	8/1980	Fukushima et al. ....	D14/138
D. 263,704	4/1982	Fukushima et al. ....	D14/138
D. 263,705	4/1982	Fukushima et al. ....	D14/138
D. 264,078	4/1982	Fukushima et al. ....	D14/138
D. 315,161	3/1991	Watanabe .....	D14/253

D. 343,291	1/1994	Langford .....	D3/218
D. 362,004	9/1995	Nakano et al. ....	D141/253
5,142,573	8/1992	Umezawa .....	379/454

*Primary Examiner*—Jeffrey Asch  
*Attorney, Agent, or Firm*—Randall S. Vaas

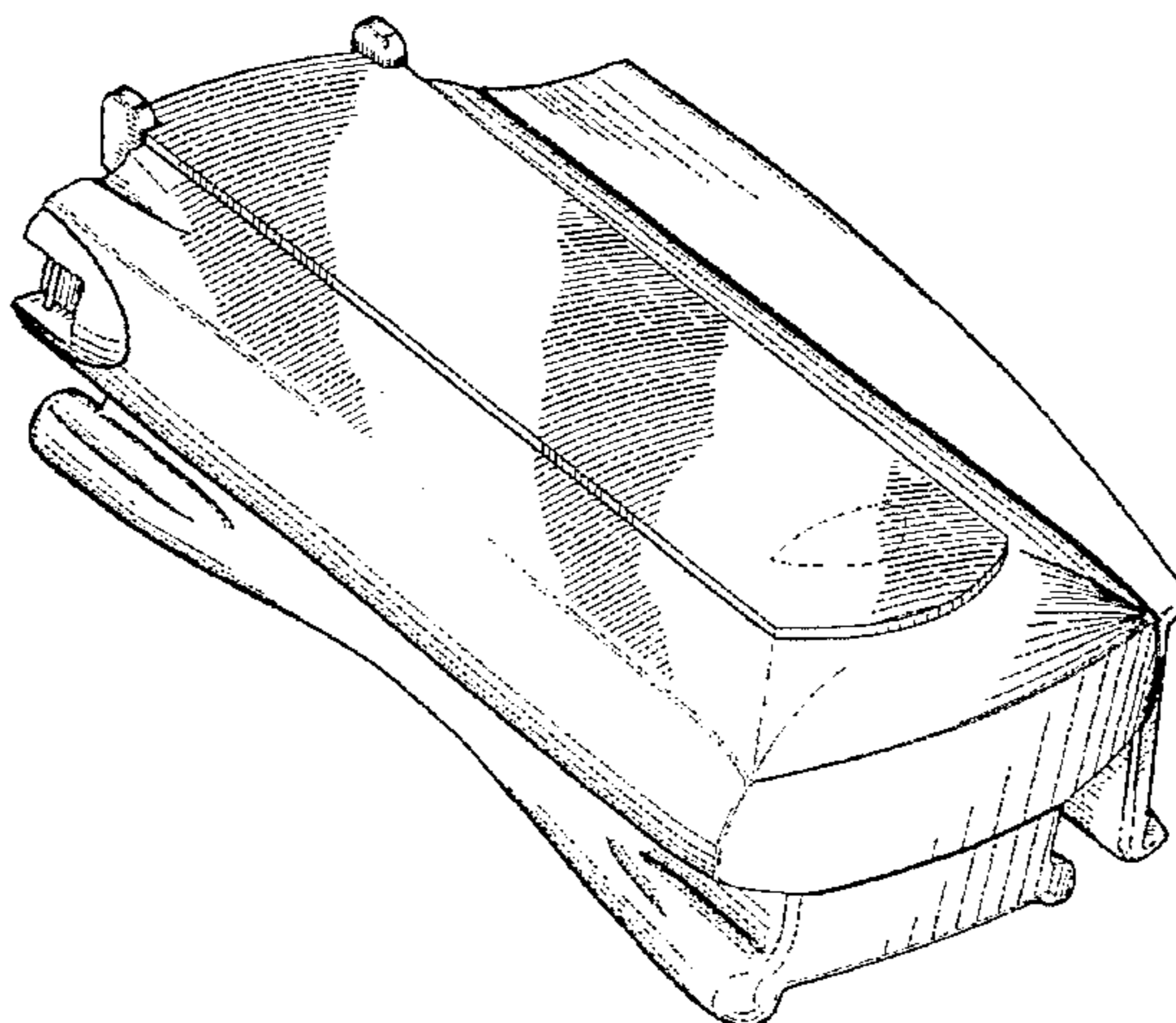
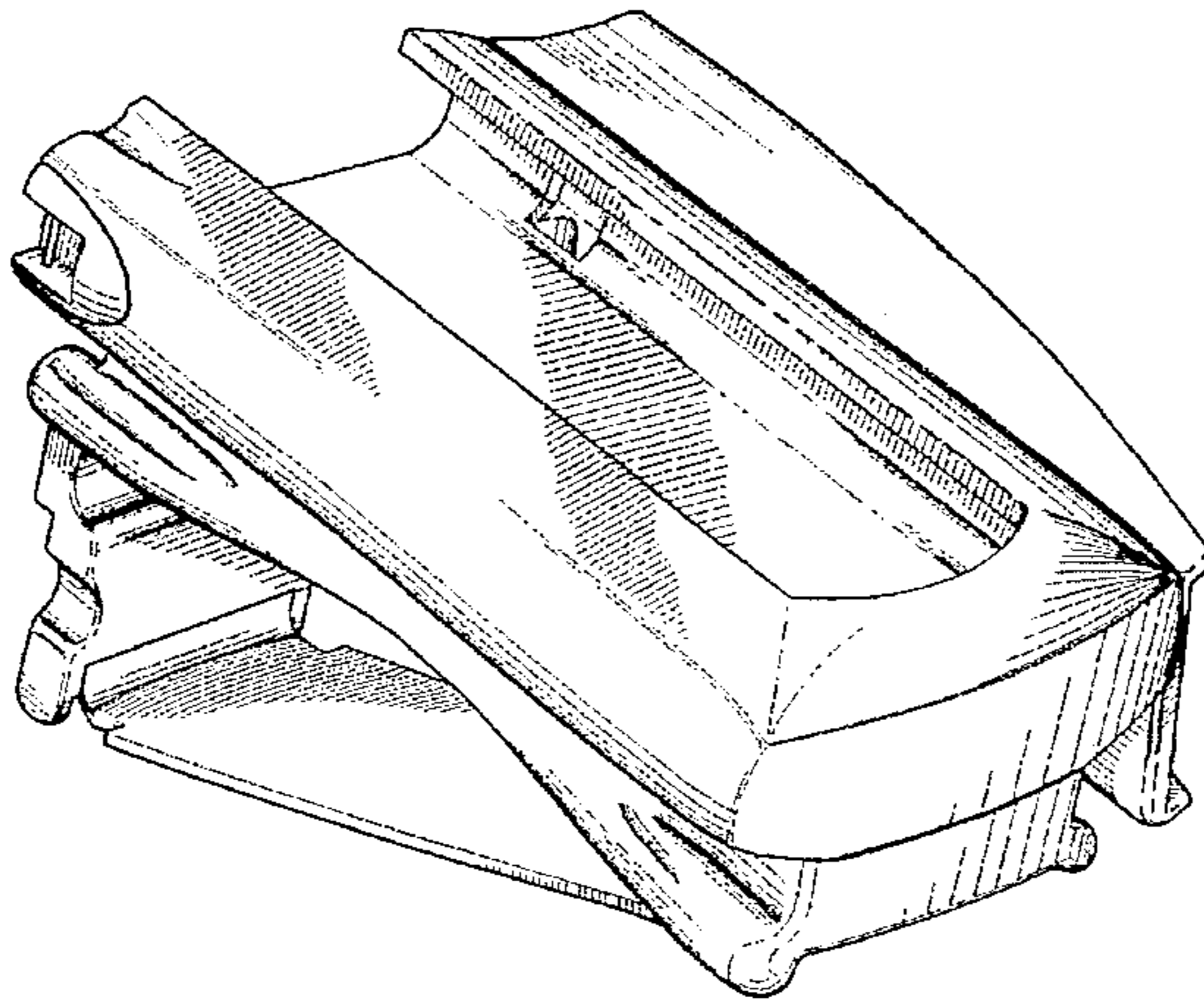
[57] **CLAIM**

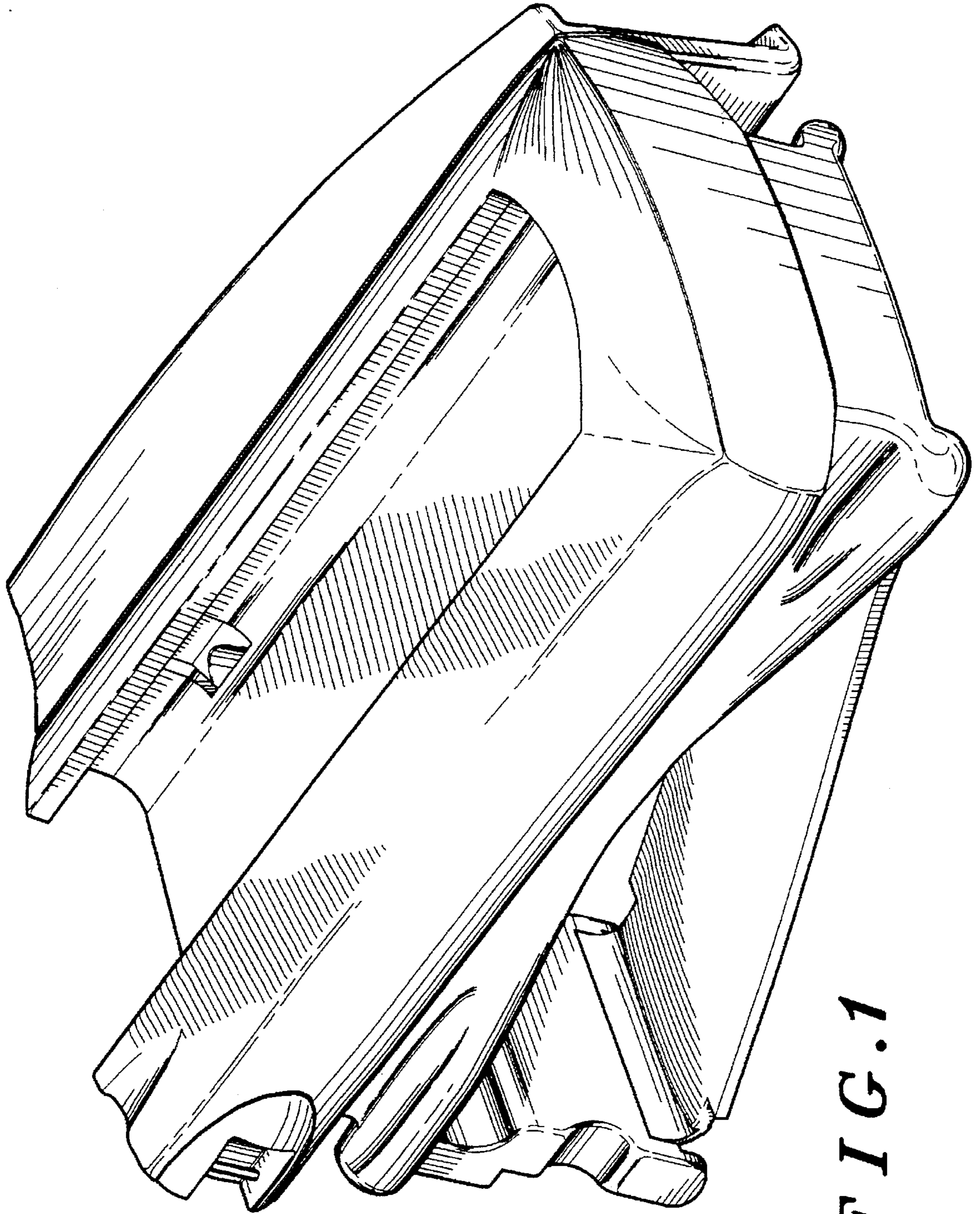
The ornamental design for a case for holding telephone, as shown and described.

**DESCRIPTION**

FIG. 1 is a front, left side and bottom perspective view showing our new design for a case for holding telephone with the cover open;  
FIG. 2 is a front, left side and bottom perspective view of the case for holding telephone according to FIG. 1 with the cover closed and broken line matter provided for illustrative purposes and forming non part of the claimed invention;  
FIG. 3 is a rear elevational view showing the design according to FIG. 2 with broken line matter provided for illustrative purposes and forming no part of the claimed invention;  
FIG. 4 is a top plan view showing the design according to FIG. 2 with broken line matter provided for illustrative purposes and forming no part of the claimed invention; and,  
FIG. 5 is a right side view showing the design according to FIG. 2 with broken line matter provided for illustrative purposes and forming no part of the claimed invention.

**1 Claim, 4 Drawing Sheets**





**FIG. 1**

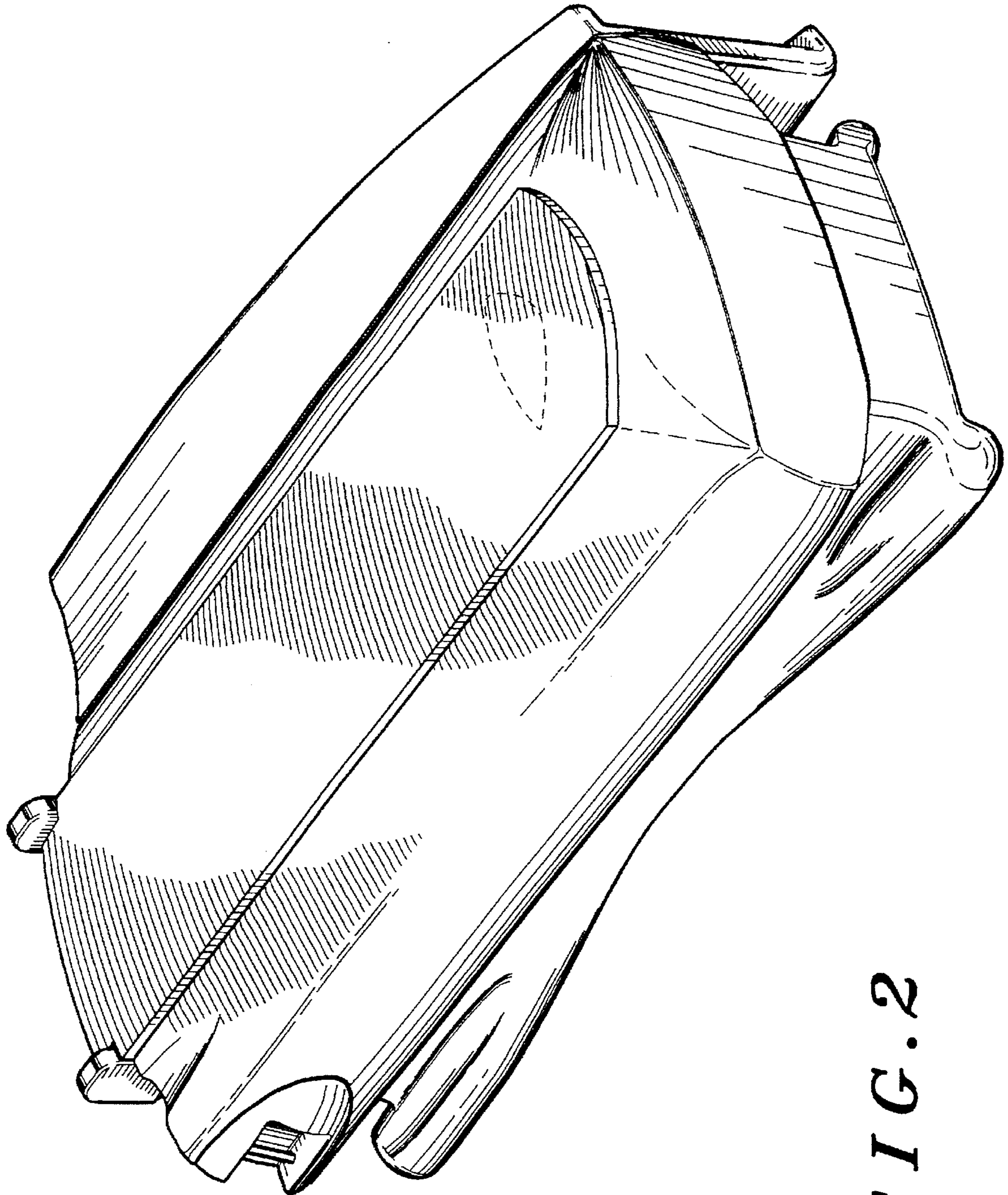
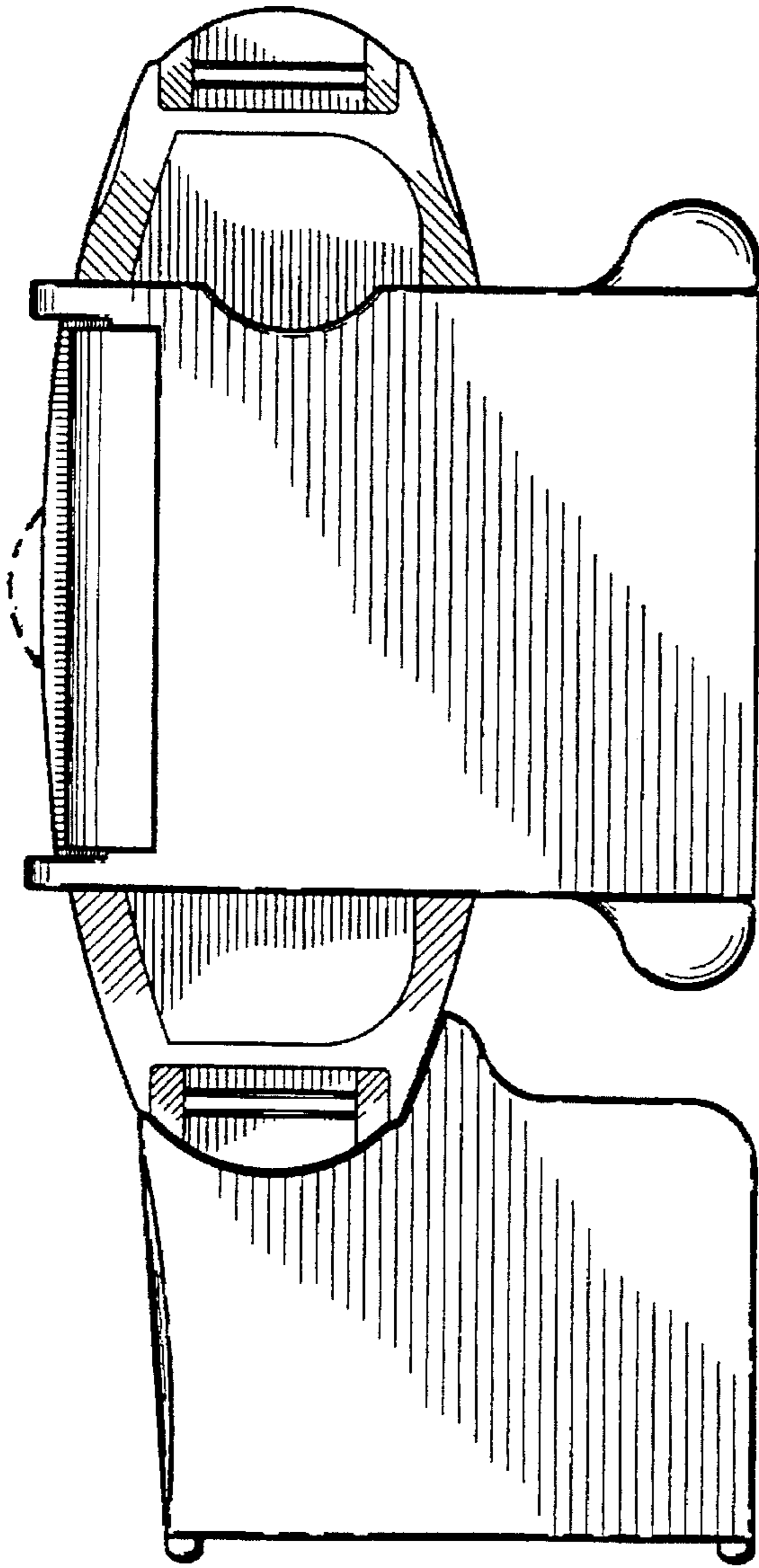


FIG. 2



*FIG. 3*

*FIG. 4*



*FIG. 5*

