

US00D381663S

United States Patent [19] Friis

[11] Patent Number: **Des. 381,663**

[45] Date of Patent: ****Jul. 29, 1997**

[54] **CALL MANAGEMENT DEVICE**

[75] Inventor: **Michael S. Friis**, Hojer, Denmark

[73] Assignee: **Datacom International, Inc.**, Telford, Pa.

[**] Term: **14 Years**

[21] Appl. No.: **48,582**

[22] Filed: **Jan. 4, 1996**

[51] LOC (6) Cl. **14-03**

[52] U.S. Cl. **D14/240; D10/15; D14/141; D14/245**

[58] Field of Search D14/137, 138, D14/140, 141, 142, 149, 240, 241, 242, 191, 218, 100, 243, 245; D10/2, 15; D21/13, 48; 379/419, 420, 428, 440, 433-436, 454, 455, 58-61, 441, 442; 455/89, 90

[56] **References Cited**

U.S. PATENT DOCUMENTS

D. 252,801	9/1979	Usuda	D10/15
D. 281,940	12/1985	Steventon et al.	D21/13 X
D. 299,922	2/1989	Scremmer	D14/218
D. 304,691	11/1989	Kubo	D10/2
D. 306,026	2/1990	Boykiw	D14/240
D. 318,018	7/1991	Van Lelyveld	D10/15
D. 332,833	1/1993	Lauks et al.	D14/138 X
D. 338,889	8/1993	Fuqua et al.	D14/240
D. 339,349	9/1993	Hayasaka et al.	D14/191
D. 342,260	12/1993	Sakata	D14/218
D. 348,674	7/1994	Lindeman et al.	D14/240
D. 355,916	2/1995	Wathen	D14/240
D. 358,816	5/1995	Schied	D14/191

OTHER PUBLICATIONS

Advertisement for Southwestern Bell digital tapeless answering machine (Model #FA990). Bradlees Advertising Circular taken from the Philadelphia Inquirer, Sep., 1996, Sunday Edition.

Primary Examiner—Jeffrey Asch
Attorney, Agent, or Firm—Ratner & Prestia

[57] **CLAIM**

The ornamental design for call management device, as shown and described.

DESCRIPTION

FIG. 1 is a perspective view showing the front of the call management device in accordance with the present invention;

FIG. 2 is a front elevational view thereof;

FIG. 3 is a rear elevational view thereof;

FIG. 4 is a right side elevational view thereof;

FIG. 5 is a left side elevational view thereof;

FIG. 6 is a bottom plan view thereof;

FIG. 7 is a top plan view thereof;

FIG. 8 is a perspective view of a second embodiment of the call management device of FIG. 1;

FIG. 9 is a front elevational view of the embodiment shown in FIG. 8;

FIG. 10 is a rear elevational view of the embodiment shown in FIG. 8;

FIG. 11 is a right side elevational view of the embodiment shown in FIG. 8;

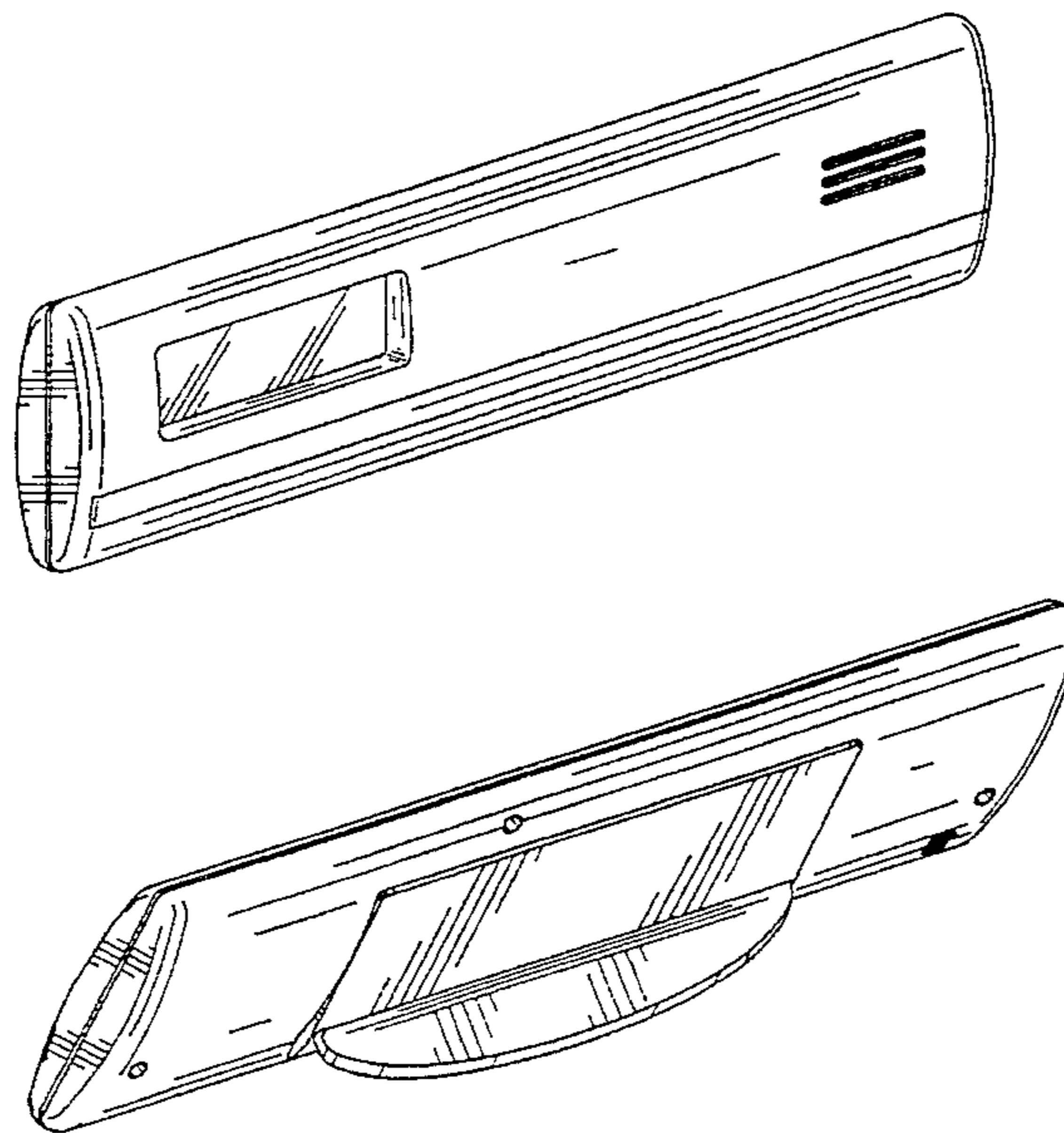
FIG. 12 is a left side elevational view of the embodiment shown in FIG. 8;

FIG. 13 is a top plan view of the embodiment shown in FIG. 8;

FIG. 14 is a bottom plan view of the embodiment shown in FIG. 8; and,

FIG. 15 is a perspective view of the call management device with the stand separated therefrom for convenience of illustration.

1 Claim, 7 Drawing Sheets



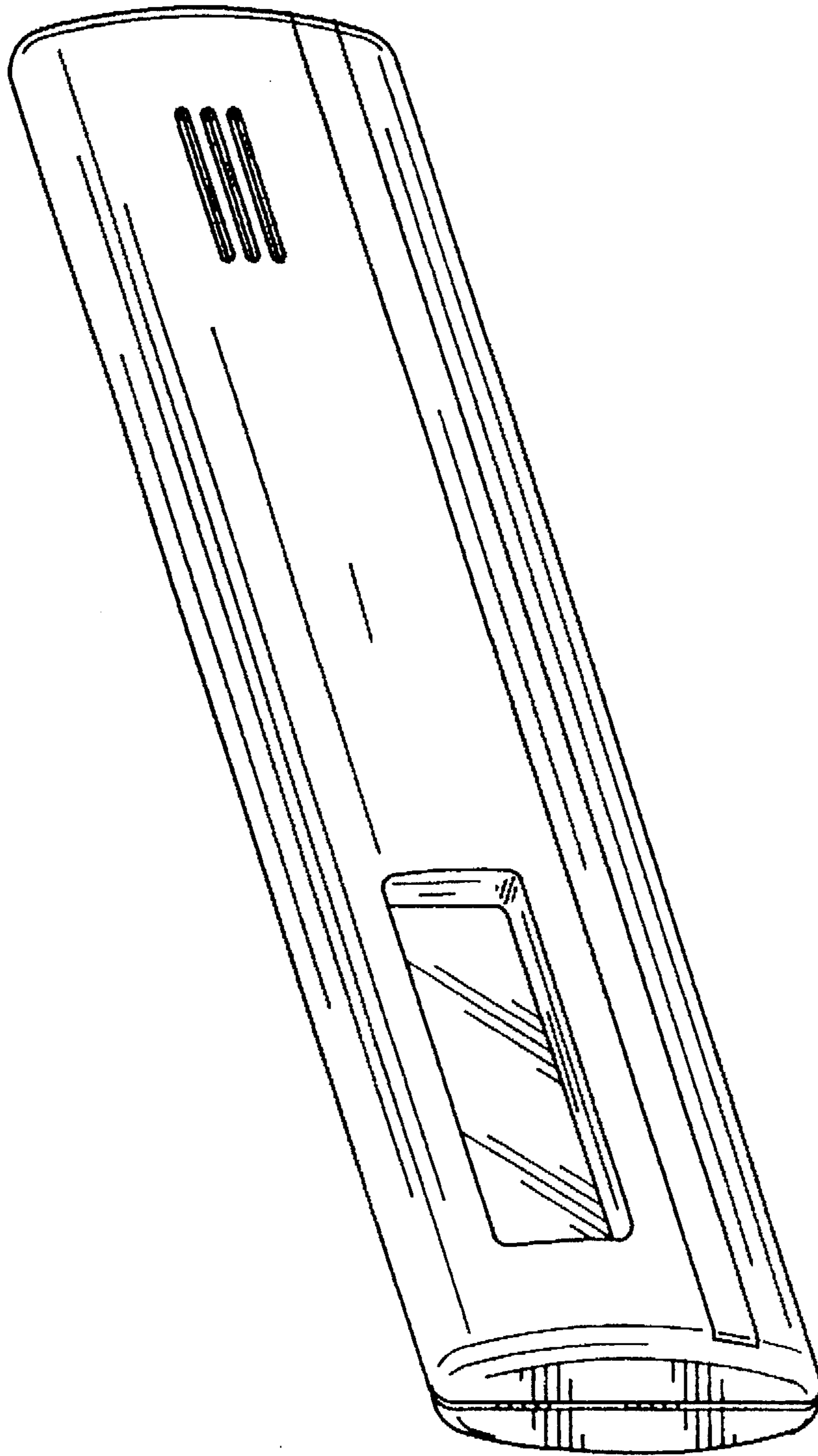


FIG. 1

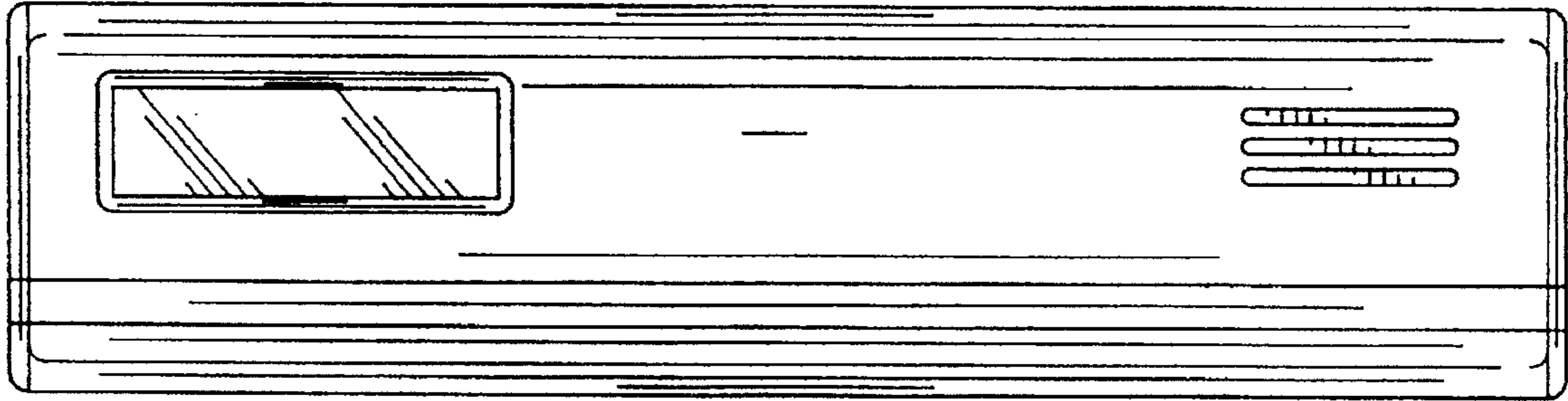


FIG. 2

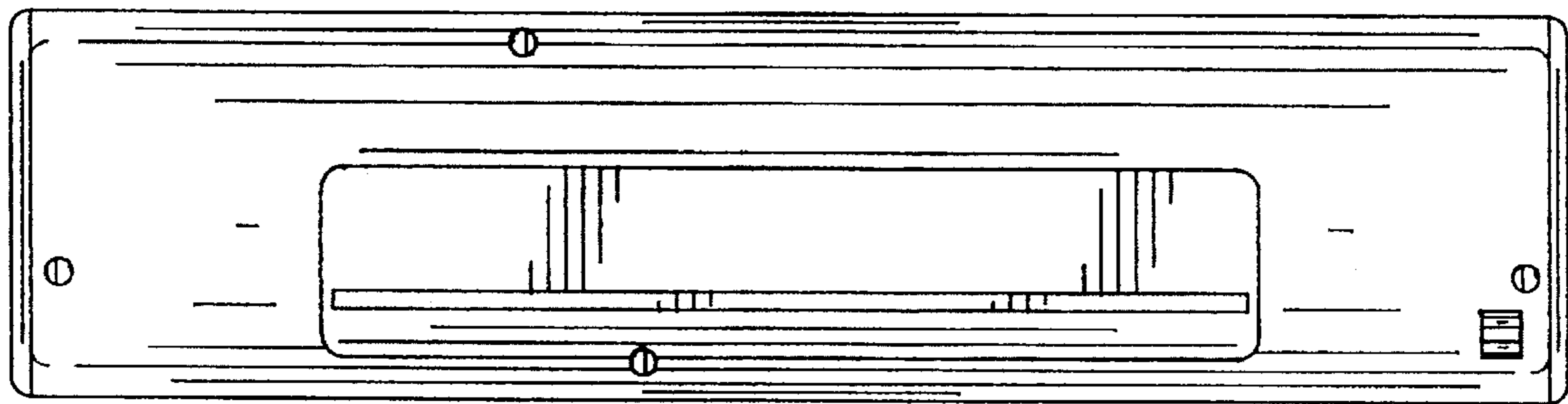


FIG. 3

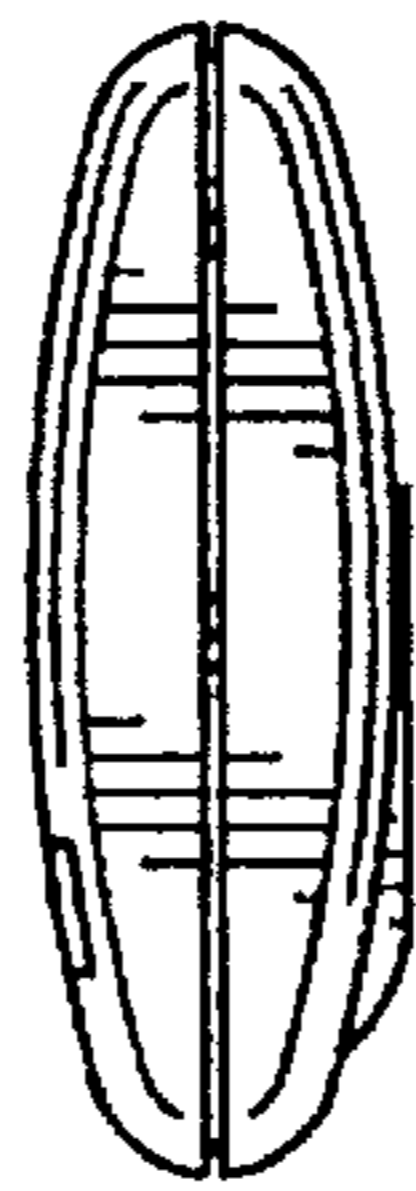


FIG. 4

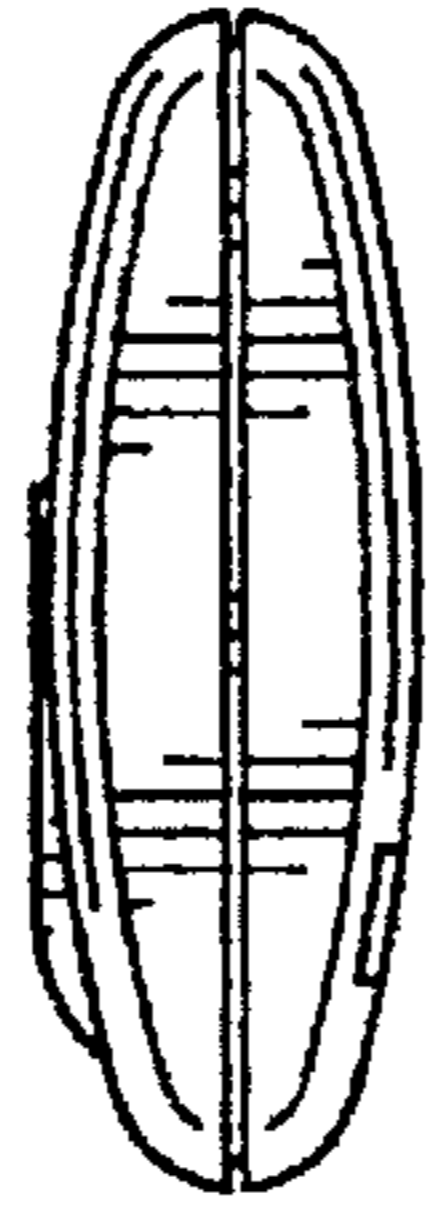


FIG. 5

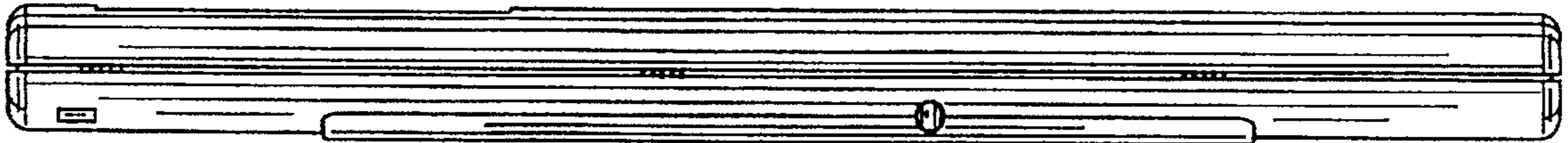


FIG. 6

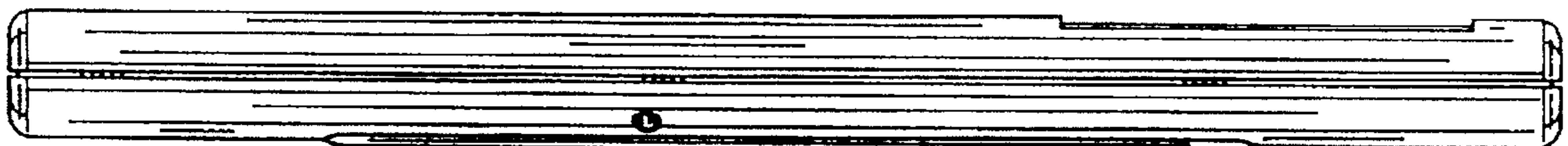


FIG. 7

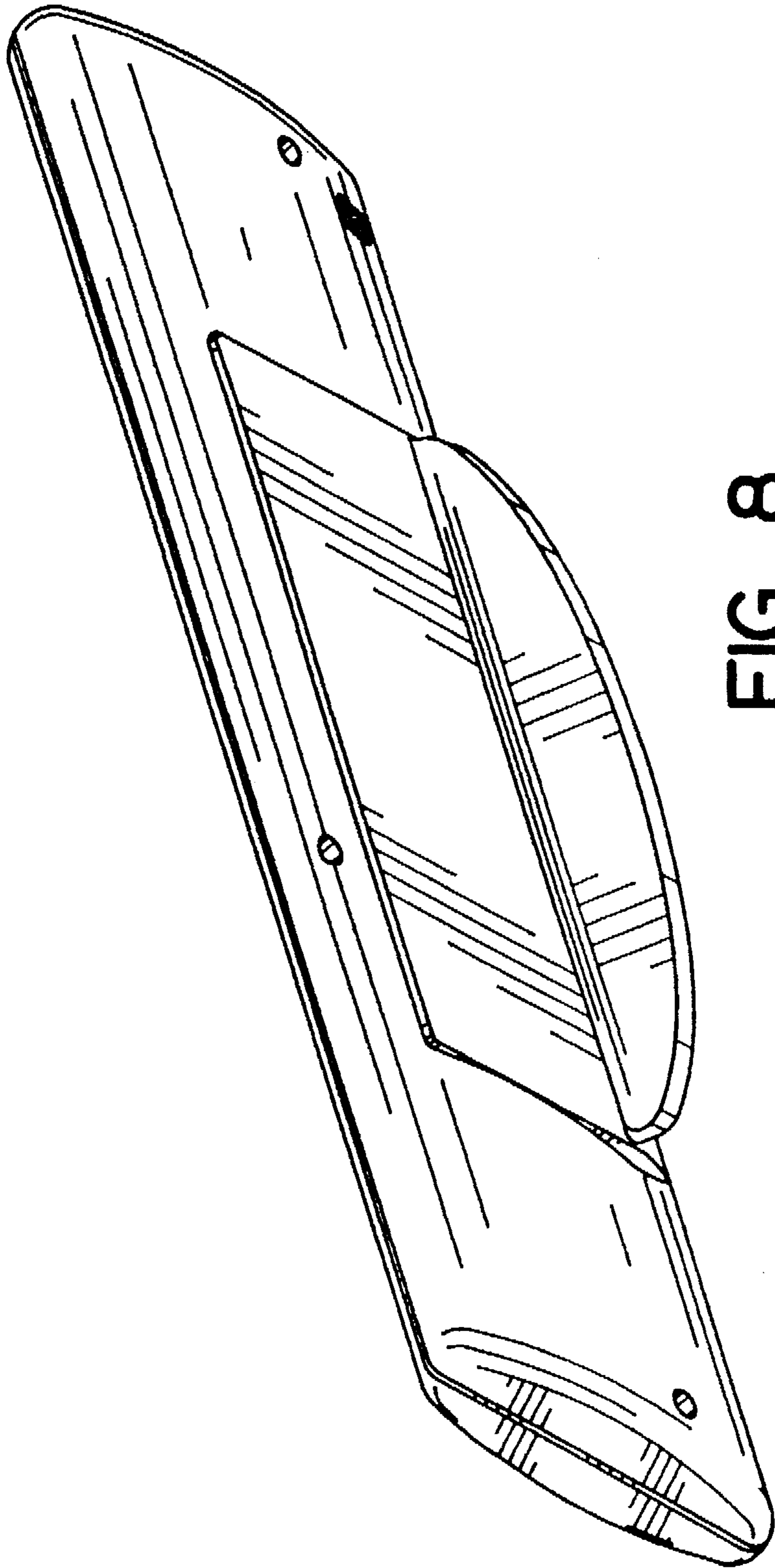


FIG. 8

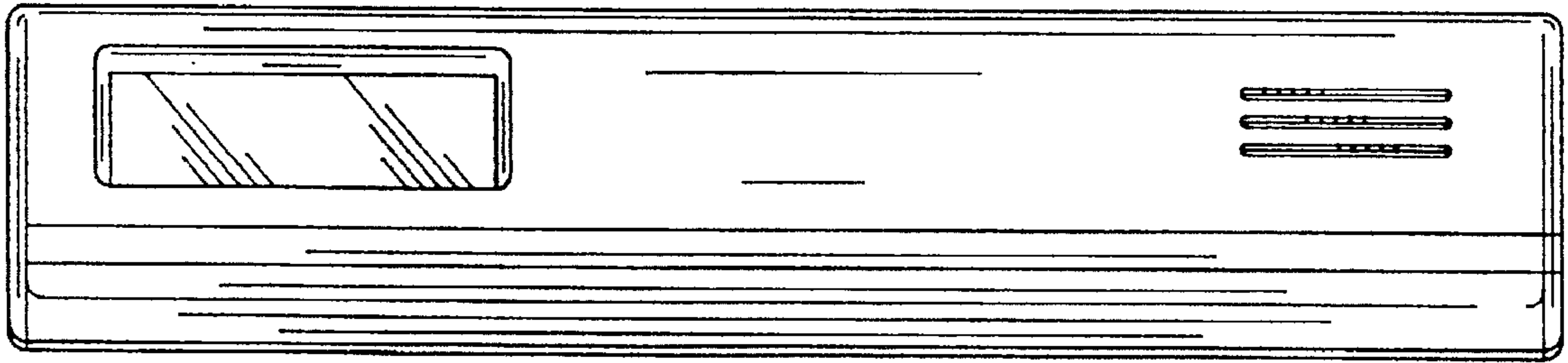


FIG. 9

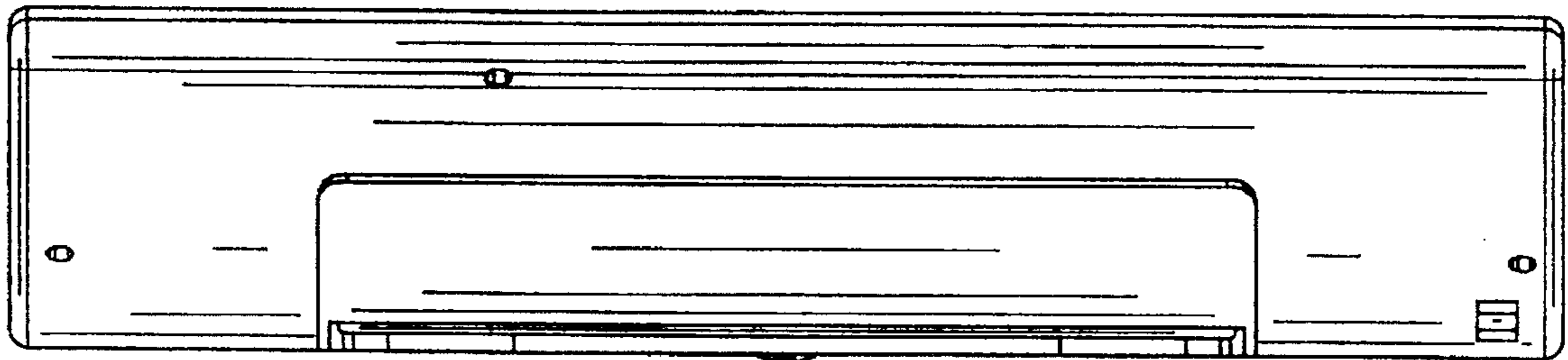


FIG. 10

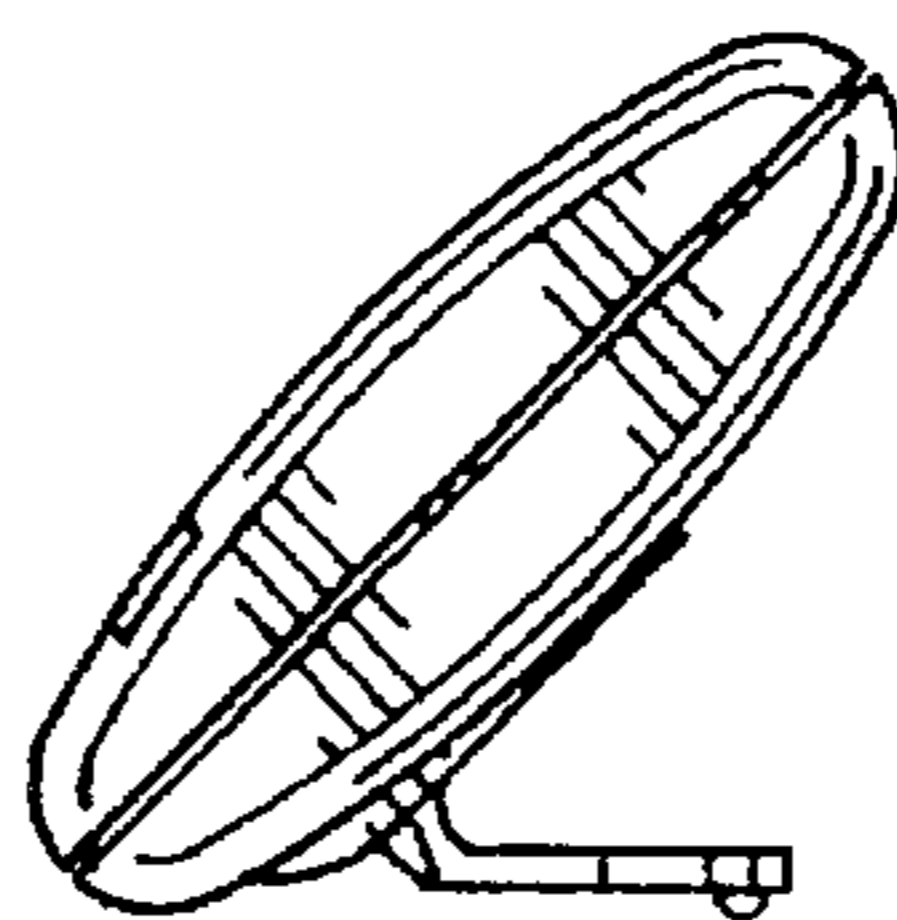


FIG. 11

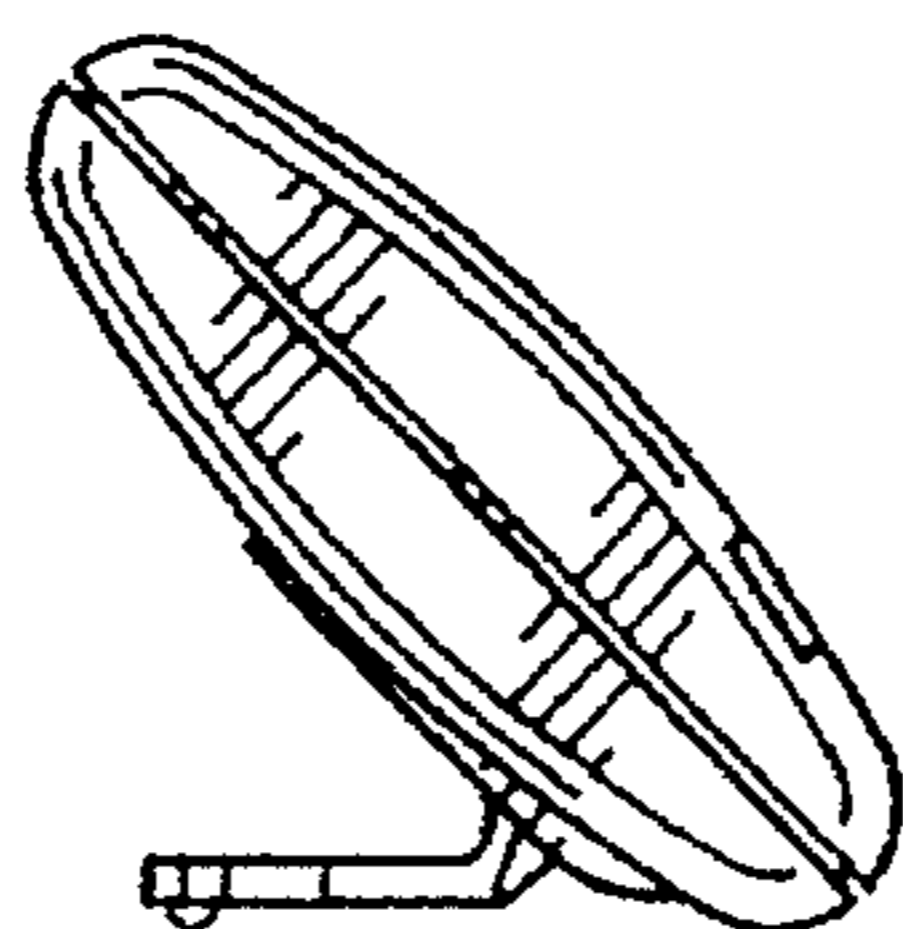


FIG. 12

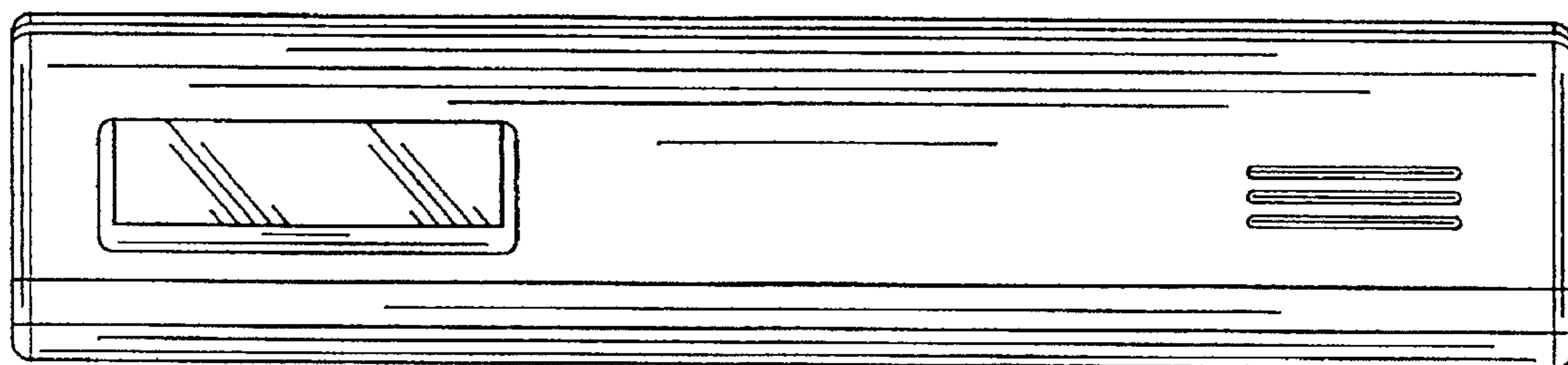


FIG. 13

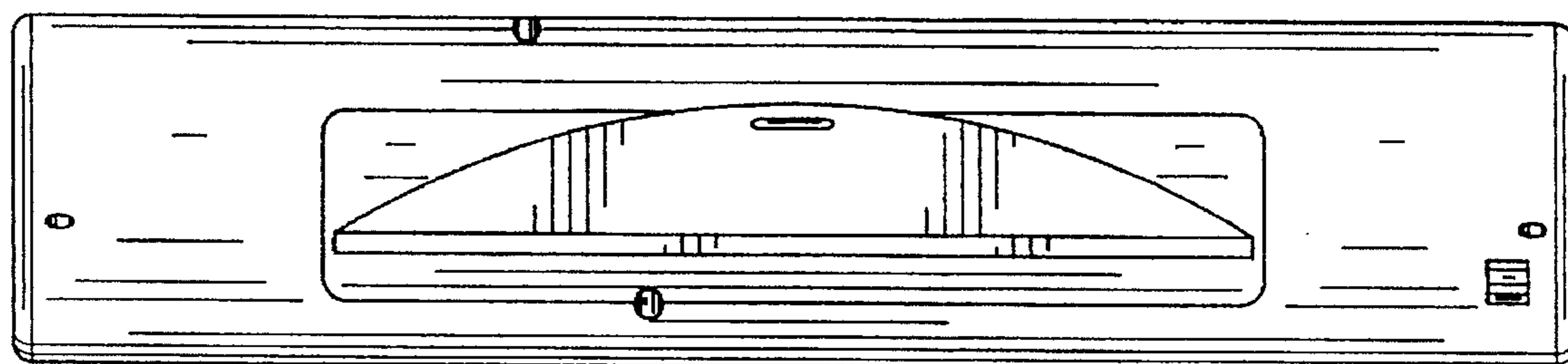


FIG. 14

FIG. 15

