



US00D381662S

United States Patent [19]

Weissberg et al.

[11] Patent Number: **Des. 381,662**

[45] Date of Patent: ****Jul. 29, 1997**

[54] **REMOTE CONTROL DEVICE**

[75] Inventors: **Gary Stephen Weissberg**, Owings Mills, Md.; **Milton Halstead**, San Juan Capistrano, Calif.

[73] Assignee: **Micro Multimedia Labs Inc.**, Reistertown, Md.

[**] Term: **14 Years**

[21] Appl. No.: **51,611**

[22] Filed: **Mar. 14, 1996**

[51] LOC (6) Cl. **14-03**

[52] U.S. Cl. **D14/218**

[58] Field of Search D14/218, 217; D10/104, 106; D13/168; 348/734; 455/151.1, 151.2, 151.3, 151.4, 352-355

[56] **References Cited**

U.S. PATENT DOCUMENTS

D. 219,028	10/1970	Miller	D14/218
D. 301,332	5/1989	Schwartz	D13/168
D. 325,582	4/1992	Emmons et al.	D14/218
D. 331,060	11/1992	Emmons et al.	D14/218
D. 331,389	12/1992	Bartlett	D13/168

D. 346,125	4/1994	Cote et al.	D10/104
D. 357,201	4/1995	Novack	D10/104
D. 368,074	3/1996	Lee et al.	D13/168
D. 371,793	7/1996	Patton	D14/218
5,243,430	9/1993	Emmons	455/151.1

OTHER PUBLICATIONS

Video Review, May/Jun. 1993, p. 26. "Go-Video's" Palm-Mate remote control.

Primary Examiner—Lucy Lieberman

Attorney, Agent, or Firm—Hughes Hubbard & Reed LLP

[57] **CLAIM**

The ornamental design for a remote control device, as shown and described.

DESCRIPTION

FIG. 1 is a top perspective view of a remote control device showing our new design;
 FIG. 2 is a top plan view thereof;
 FIG. 3 is a bottom plan view thereof;
 FIG. 4 is a left side elevation, the right side elevation is a mirror image thereto;
 FIG. 5 is a front elevation thereof; and,
 FIG. 6 is a rear elevation thereof.

1 Claim, 3 Drawing Sheets

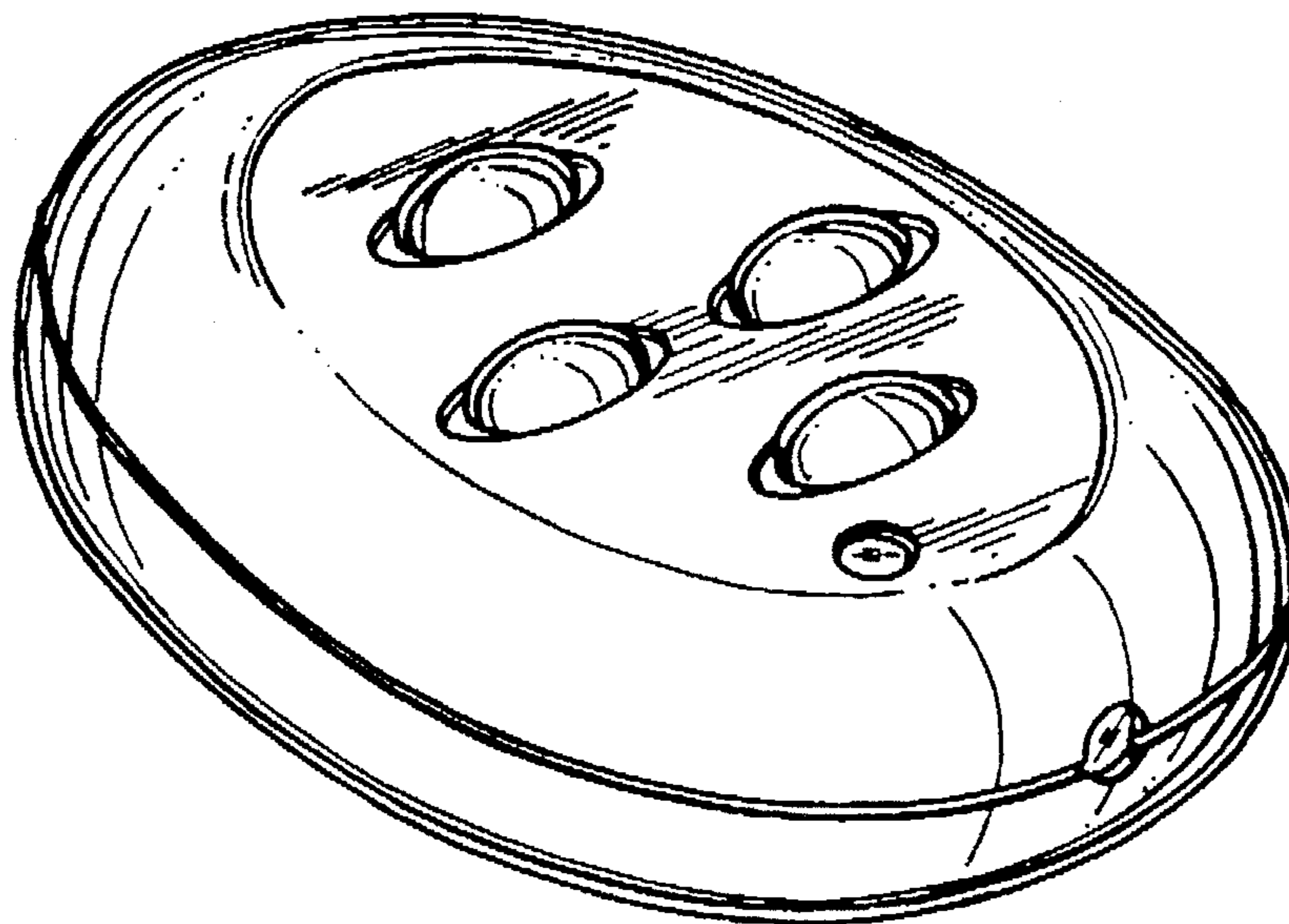


FIG. 1

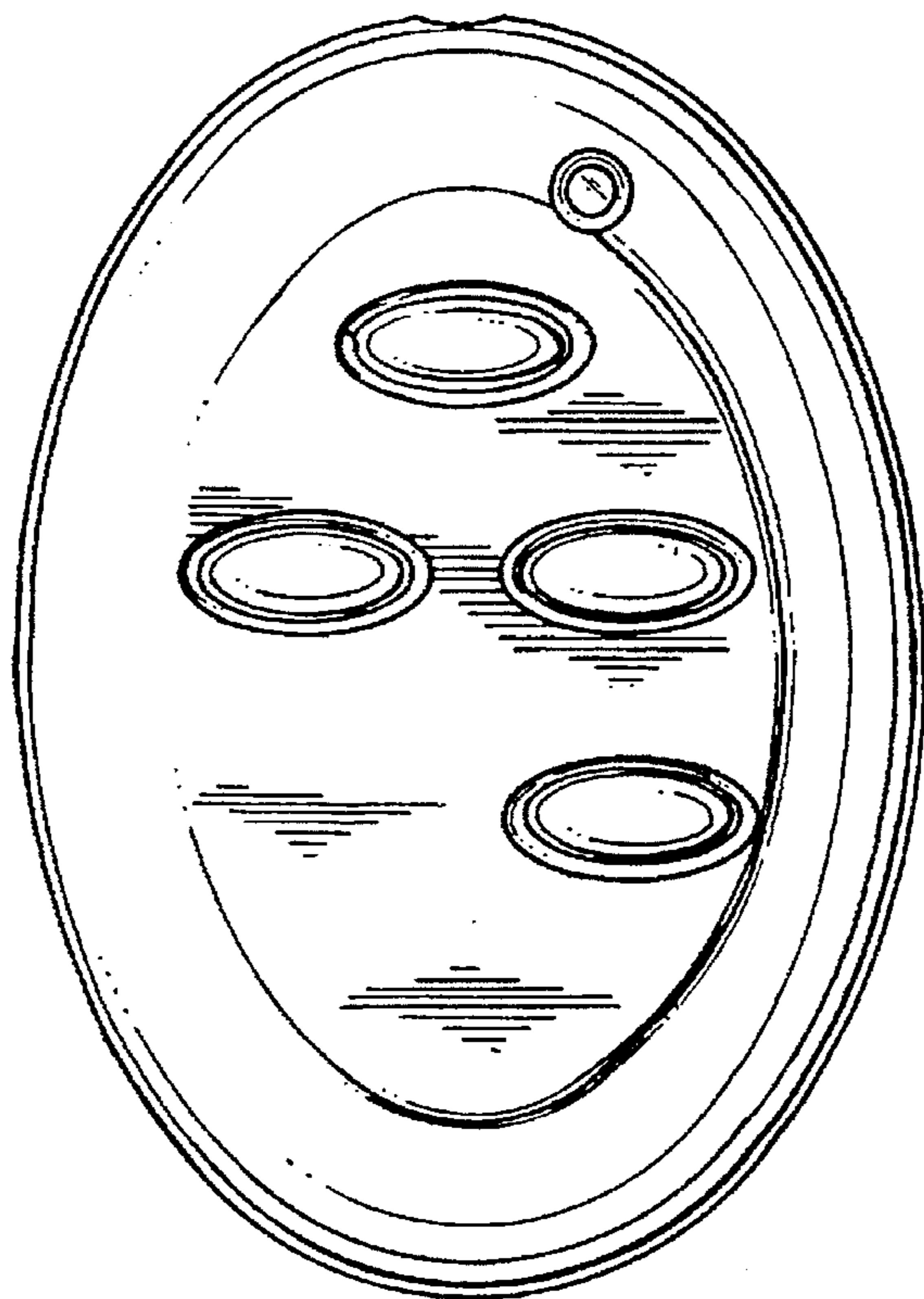
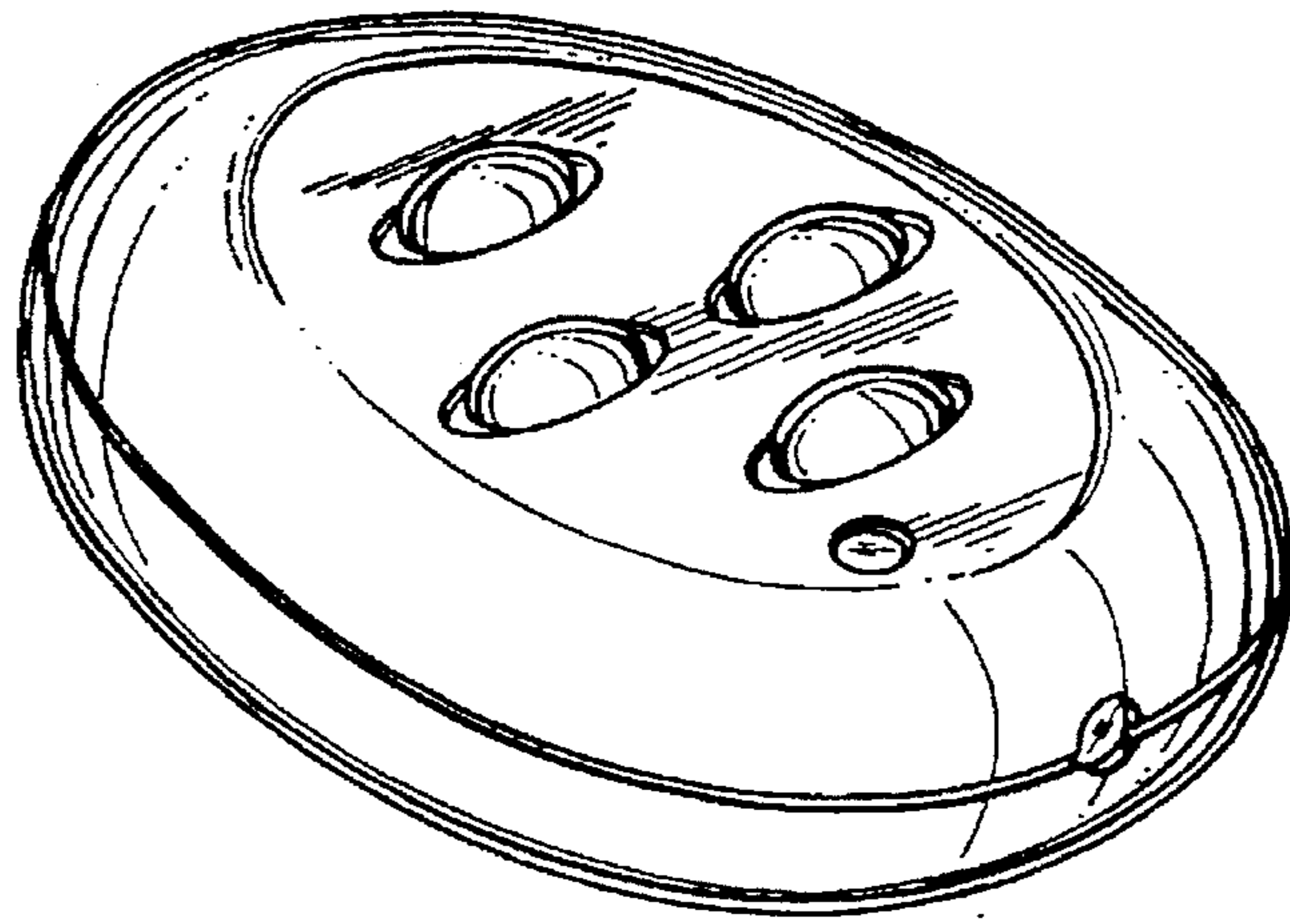


FIG. 2

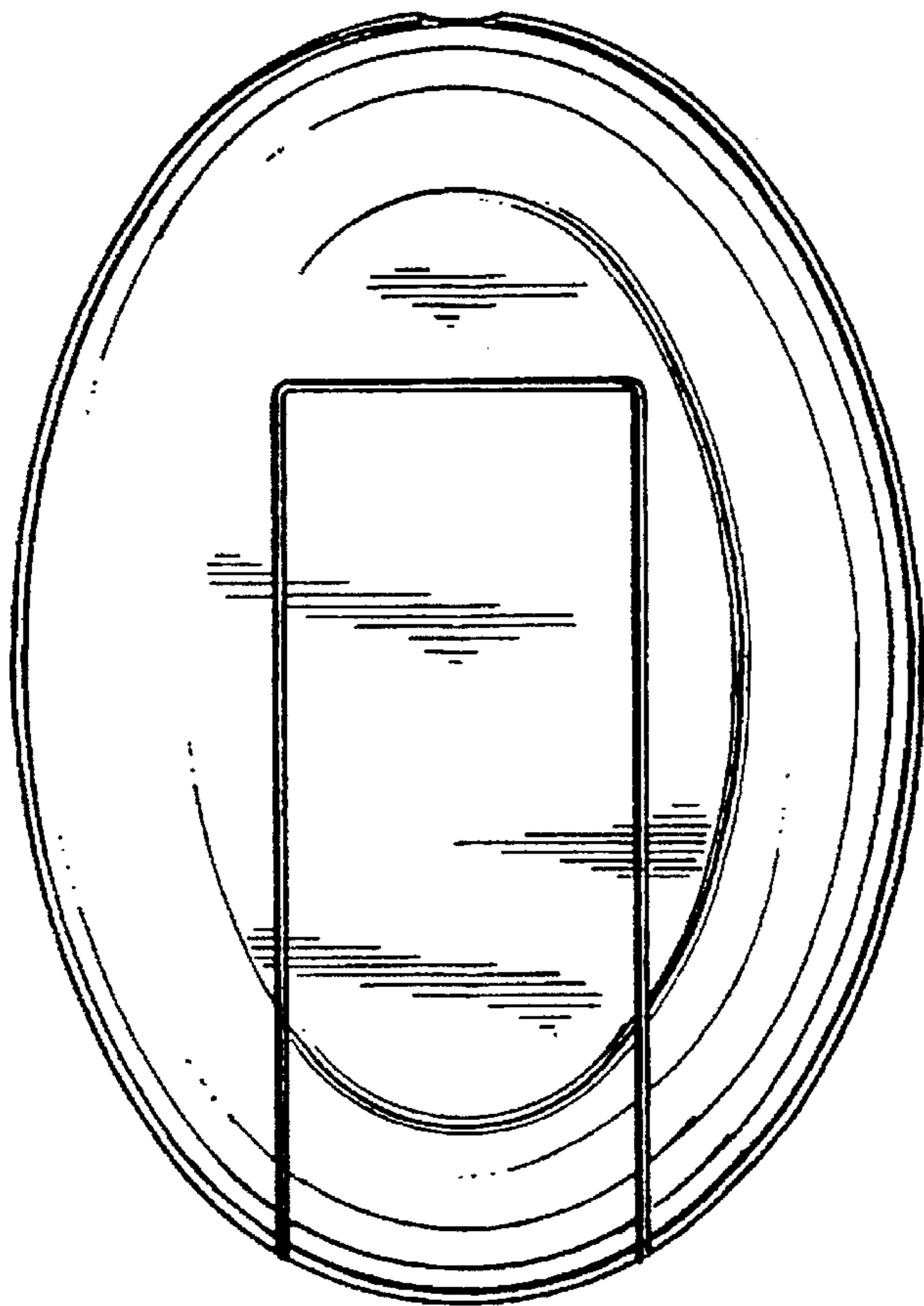


FIG. 3

FIG. 4

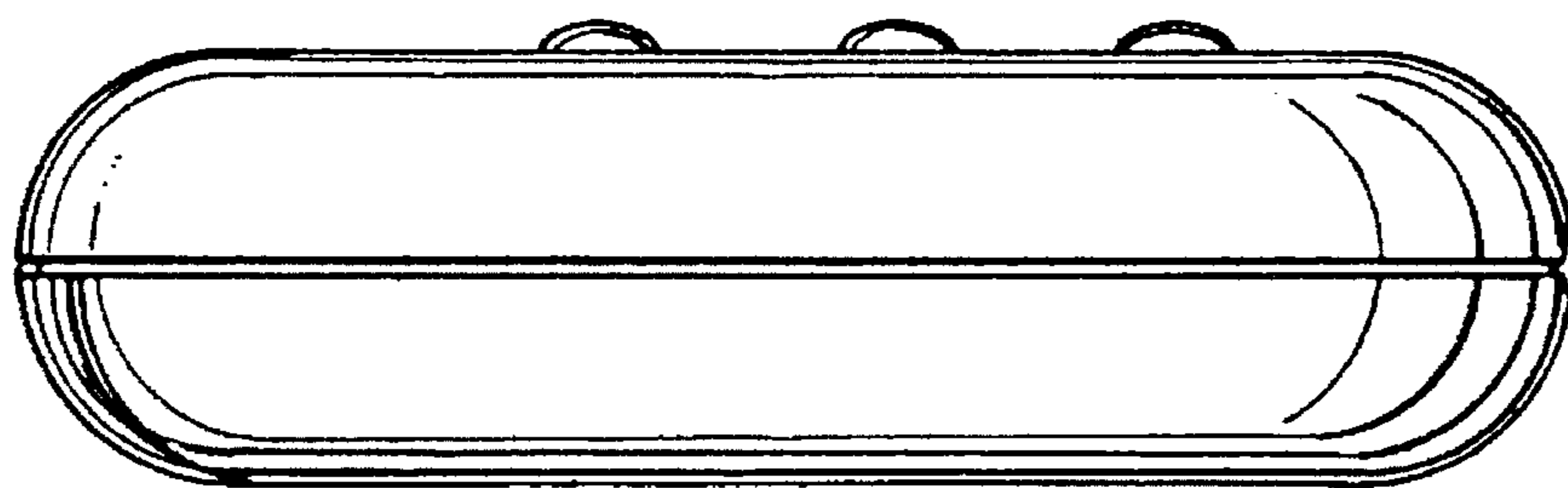


FIG. 5

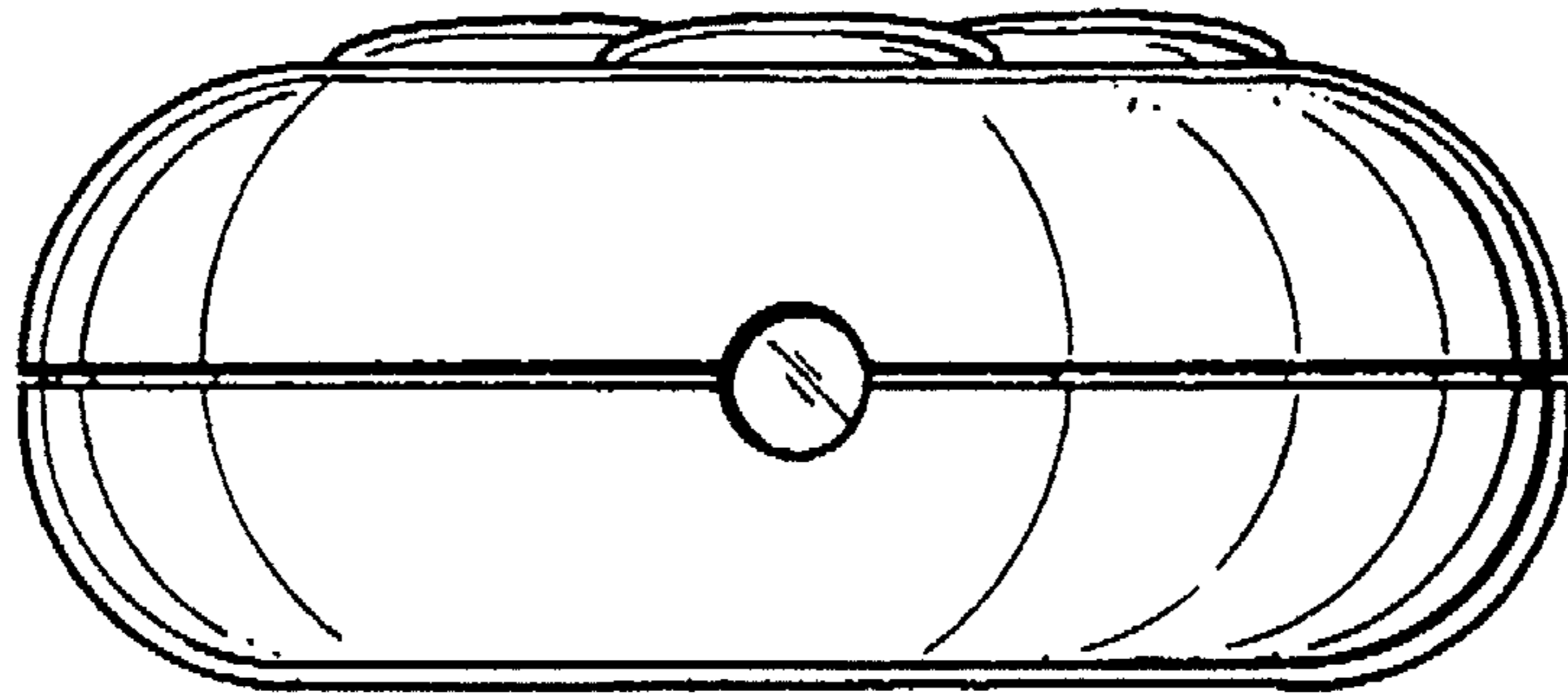


FIG. 6

