



US00D381656S

United States Patent [19]

[11] Patent Number: **Des. 381,656**

Biskup et al.

[45] Date of Patent: *****Jul. 29, 1997**

[54] **TELEPHONE SET**

[75] Inventors: **Daniel R. Biskup**, Somerset; **Pratod V. Kasbekar**, Manalapan, both of N.J.; **Michael John Nuttall**, Portola Valley, Calif.; **Heidi Anne Rajan**, Morganville, N.J.; **Christopher A. Robinette**, Woodside, Calif.; **John Henry Schaffeld**, New Vernon; **Chaonong Yoh**, Matawan, both of N.J.

[73] Assignee: **Lucent Technologies Inc.**, Murray Hill, N.J.

[*] Notice: The portion of the term of this patent subsequent to Jul. 1, 2011, has been disclaimed.

[**] Term: **14 Years**

[21] Appl. No.: **33,027**

[22] Filed: **Jan. 4, 1995**

[51] LOC (6) Cl. **14-03**

[52] U.S. Cl. **D14/149; D14/148**

[58] Field of Search D14/149-151, D14/100, 101, 140, 142, 141, 240, 241, 137, 138, 147, 148; 379/433-436, 419, 420, 428, 440

[56] **References Cited**

U.S. PATENT DOCUMENTS

D. 278,434 4/1985 Nestell D14/149

D. 289,520	4/1987	Pushelberg	D14/151
D. 319,829	9/1991	Wu	D14/151
D. 335,494	5/1993	Roegner	D14/138
D. 345,975	4/1994	Biskup et al.	D14/149
D. 347,222	5/1994	Hino et al.	D14/149
D. 349,899	8/1994	Siddoway et al.	D14/151
D. 350,541	9/1994	Chung et al.	D14/148 X
D. 351,164	10/1994	Siddoway et al.	D14/149
D. 352,032	11/1994	Cowan	D14/149 X
D. 355,189	2/1995	Folkes et al.	D14/149
D. 359,284	6/1995	Hung	D14/148 X
D. 360,398	7/1995	Nagele et al.	D14/149 X

OTHER PUBLICATIONS

The Sharper Image Phone Book, p. 28, Webcor Telephone.

Primary Examiner—Jeffrey Asch
Attorney, Agent, or Firm—Samuel R. Williamson

[57] **CLAIM**

The ornamental design of a telephone set, as shown and described.

DESCRIPTION

FIG. 1 is a top, front and right side perspective view of a telephone set showing our new design; FIG. 2 is a front elevation thereof; FIG. 3 is a left side elevation thereof; FIG. 4 is a right side elevation thereof; FIG. 5 is a rear elevation thereof; FIG. 6 is a top plan view thereof; and, FIG. 7 is a bottom plan view thereof.

1 Claim, 4 Drawing Sheets

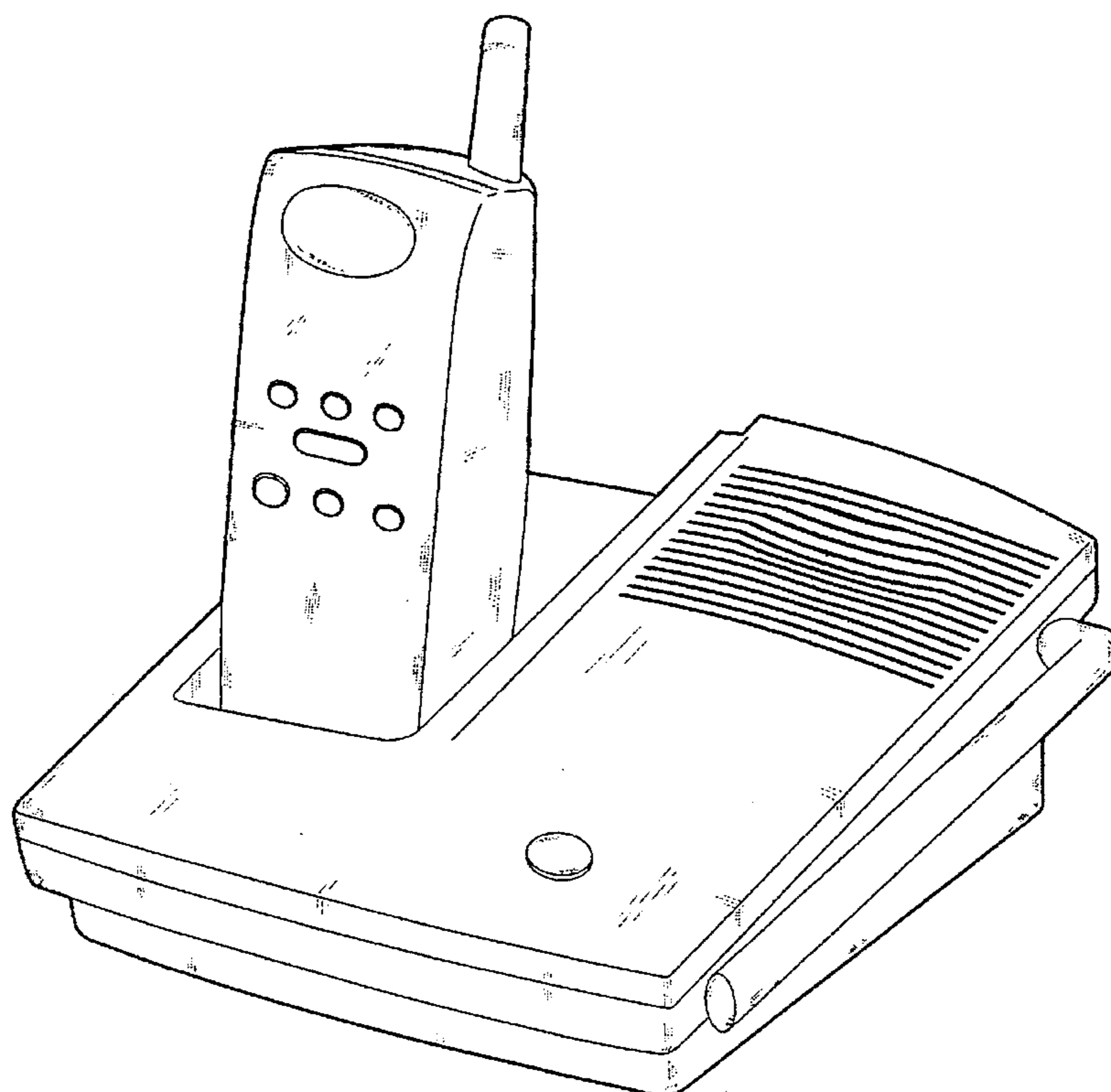


FIG. 1

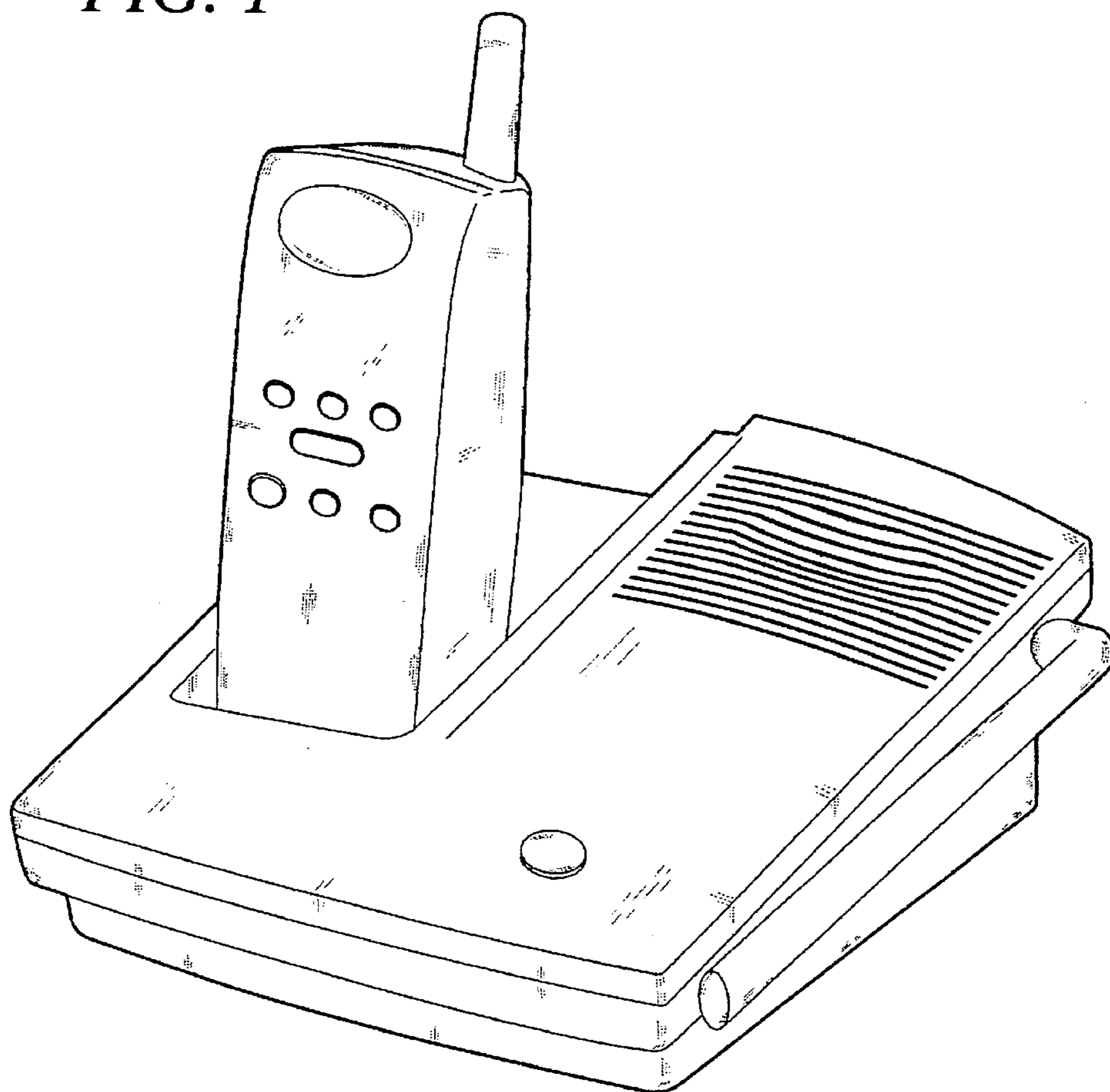


FIG. 2

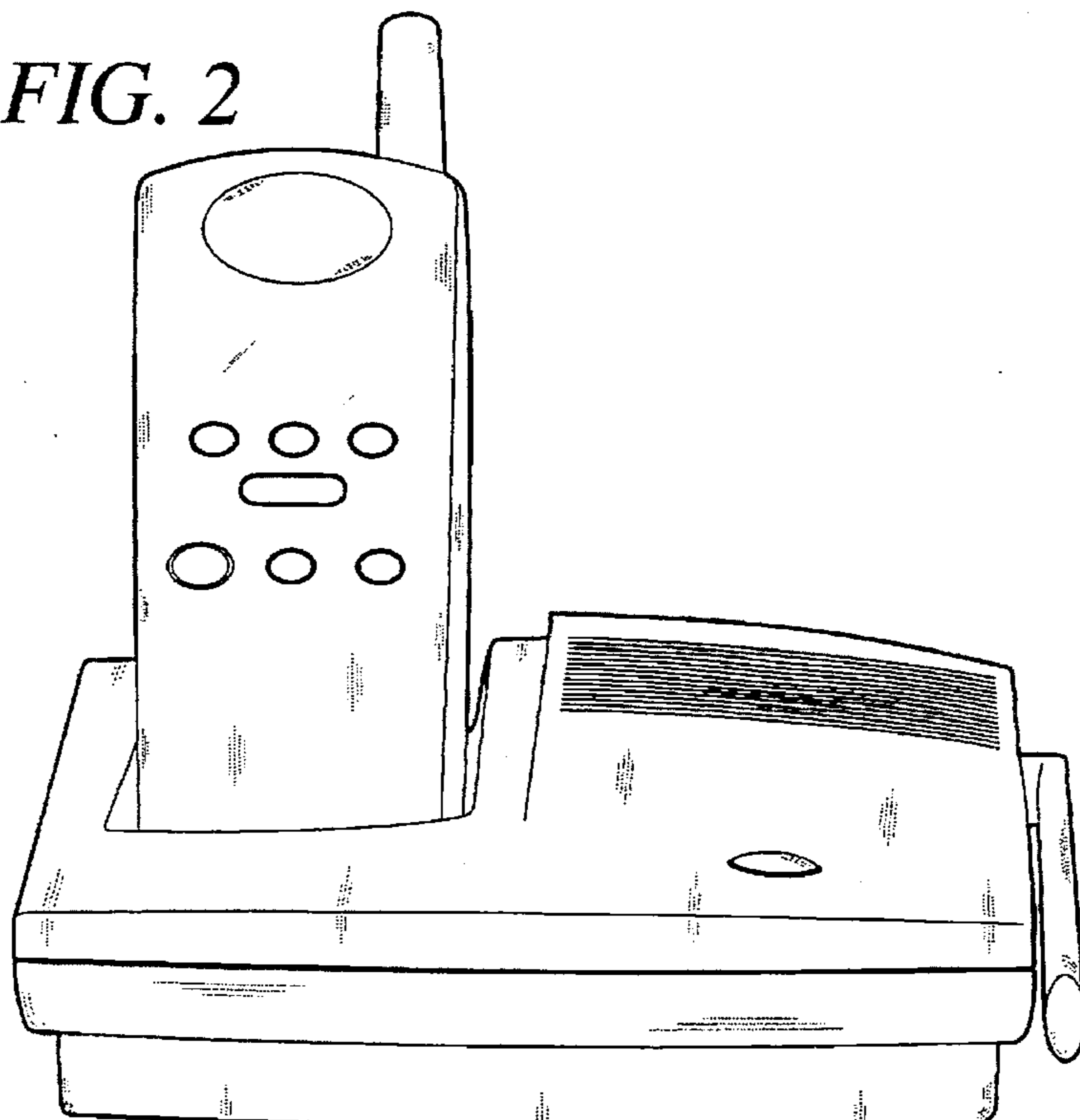


FIG. 3

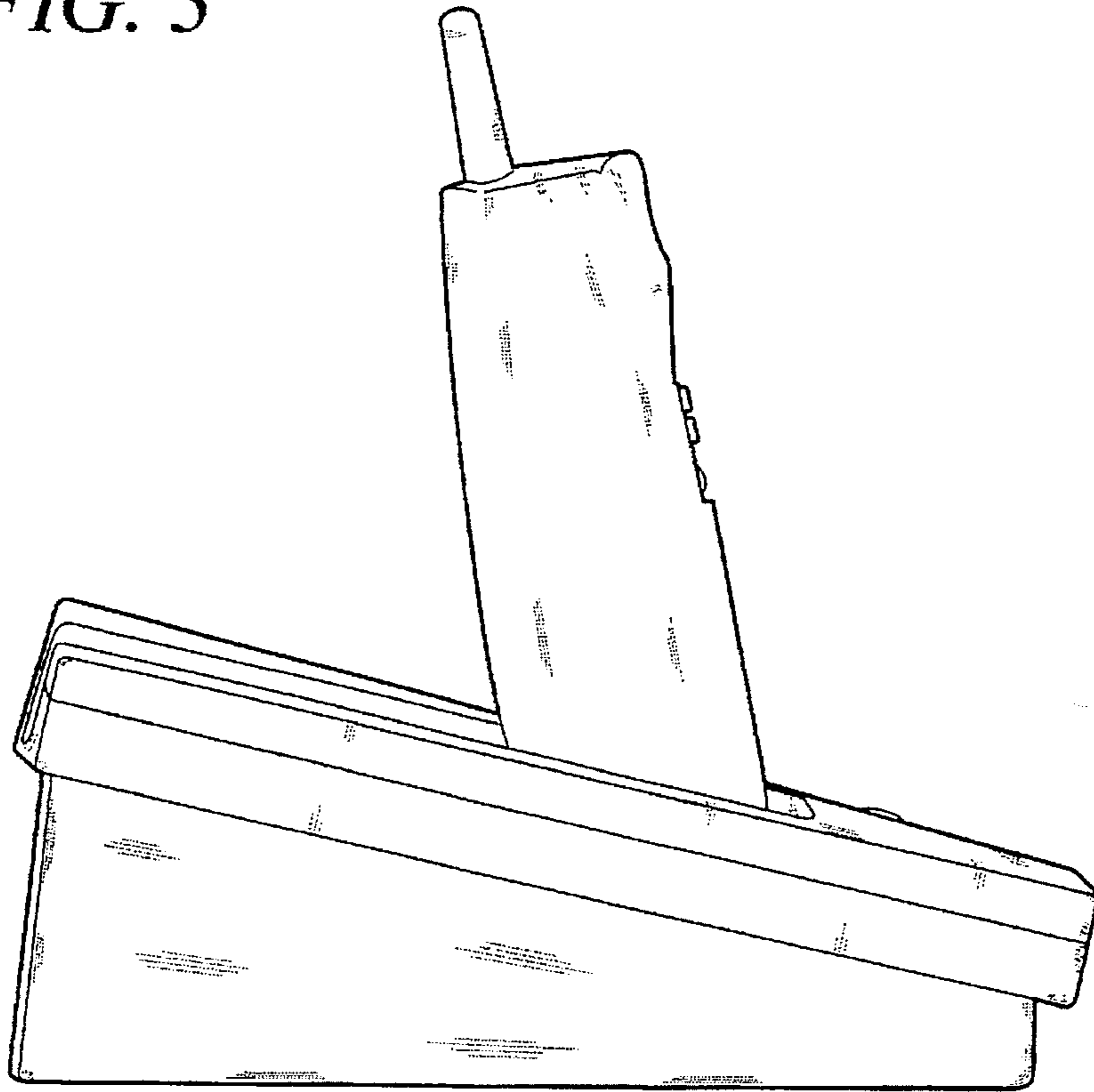


FIG. 4

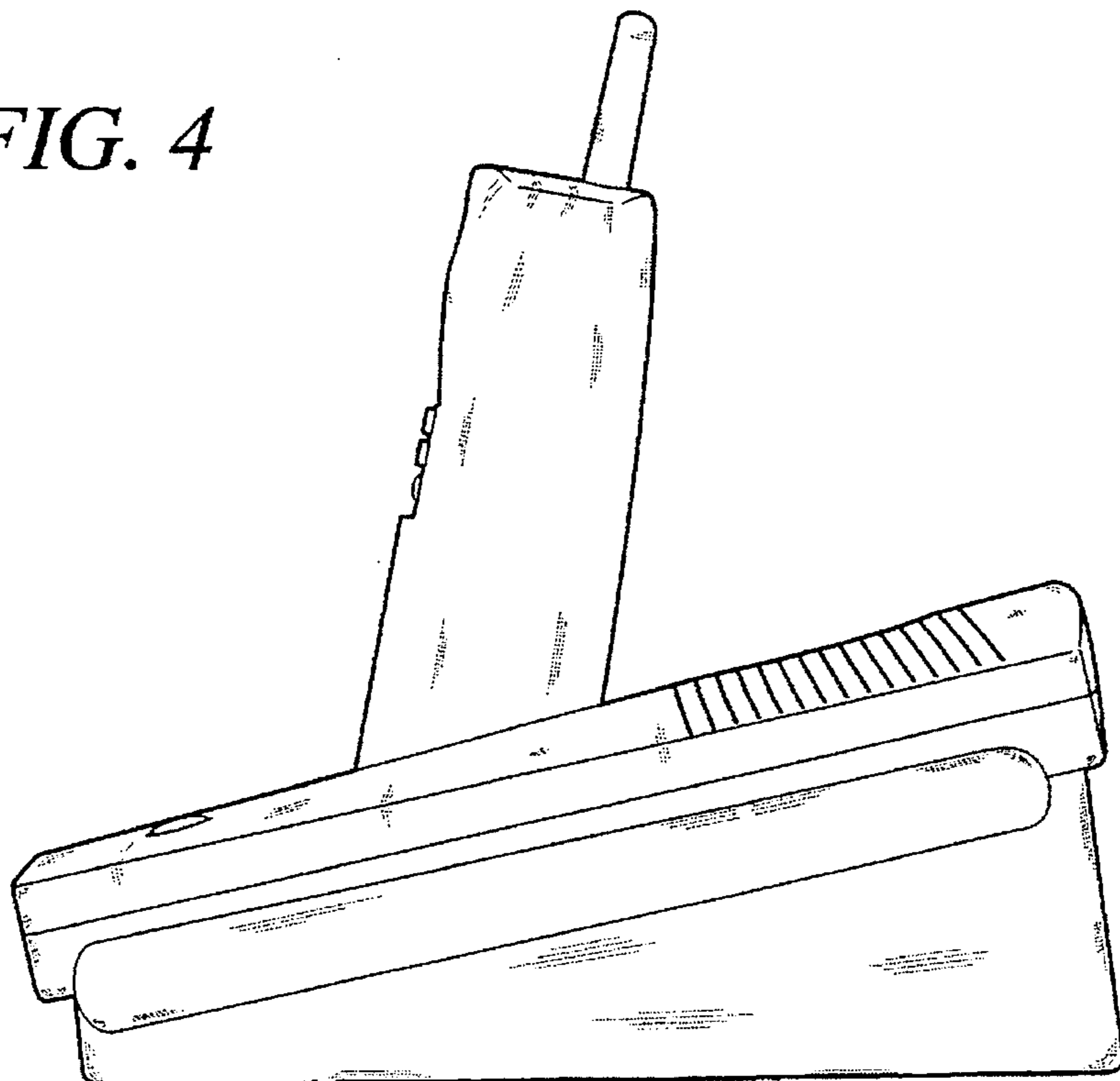


FIG. 5

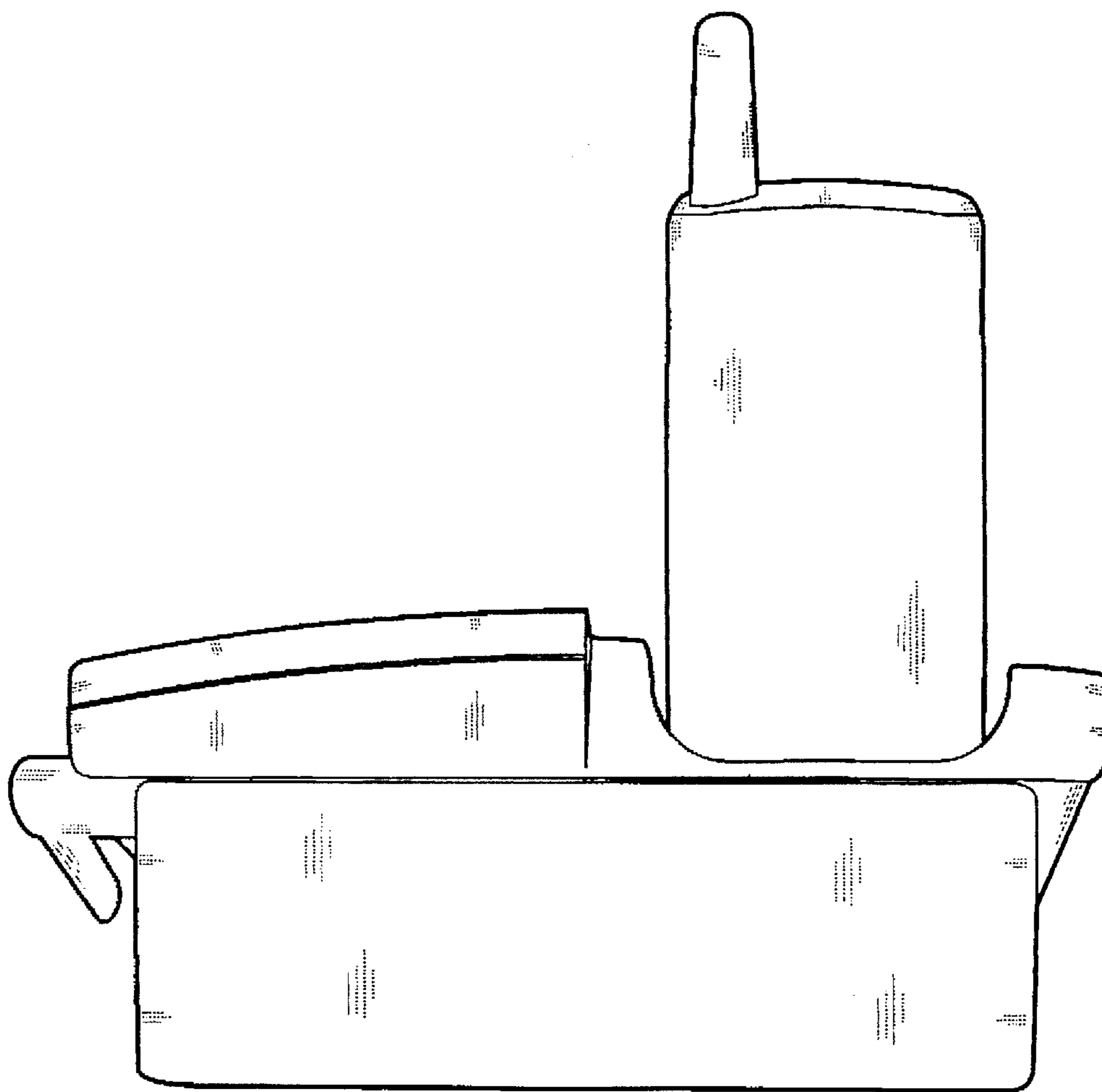


FIG. 6

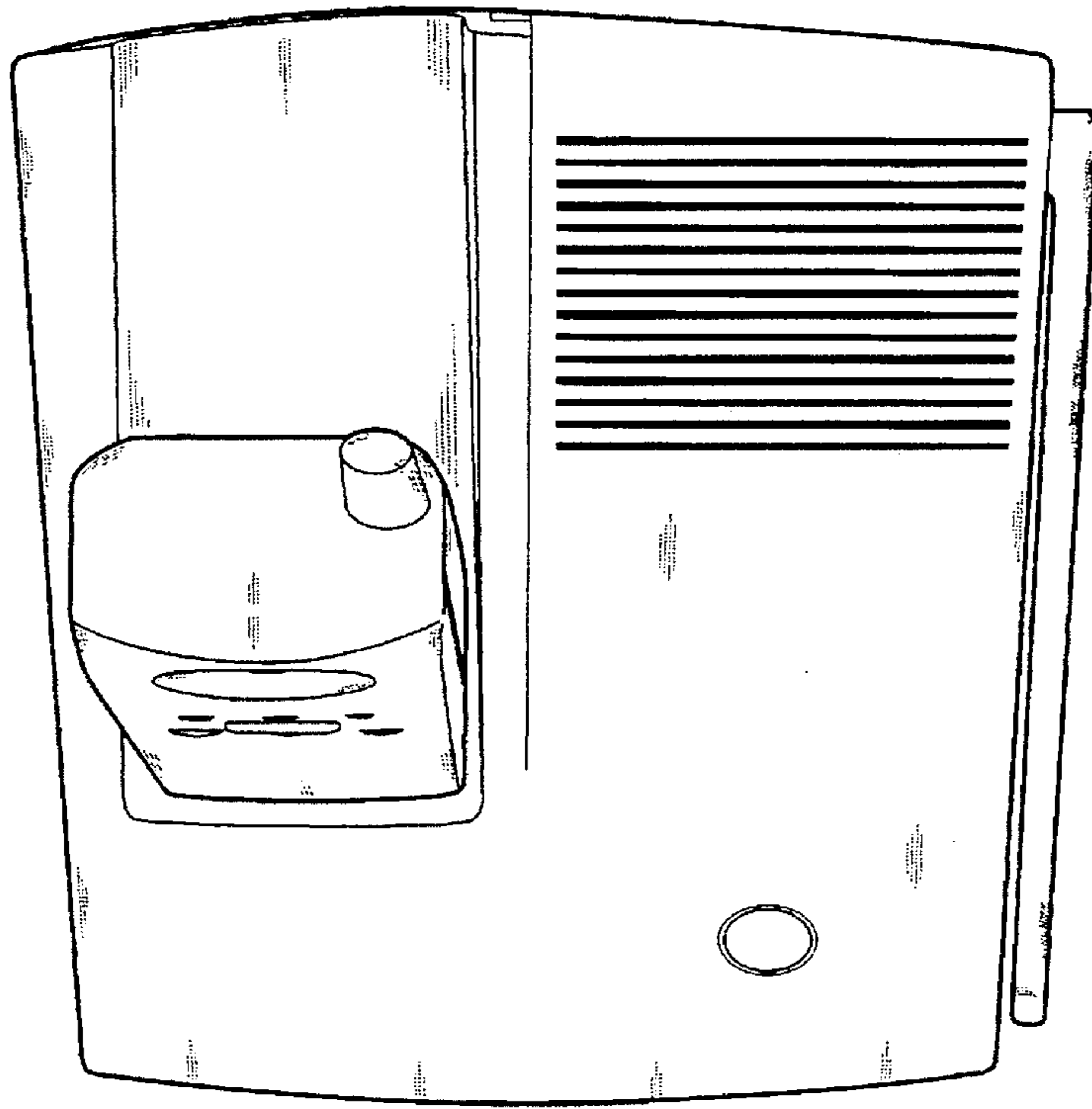


FIG. 7

