



US00D381653S

United States Patent [19]

Voroba et al.

[11] Patent Number: **Des. 381,653**

[45] Date of Patent: ****Jul. 29, 1997**

[54] **COMPACT WIRELESS TELEPHONE**

[75] Inventors: **Barry Voroba**, Minnetonka; **Daniel E. Kobylarz**, Bloomington; **Carrie L. Zochert**, Minnetonka, all of Minn.

[73] Assignee: **MicroTalk Technologies, Inc.**, Minnetonka, Minn.

[**] Term: **14 Years**

[21] Appl. No.: **24,656**

[22] Filed: **Jun. 20, 1994**

[51] **LOC (6) Cl.** **14-03**

[52] **U.S. Cl.** **D14/138**

[58] **Field of Search** D14/140, 142, D14/147-151, 240-242, 155, 247, 244, 248; D12/191; D10/2, 15; D18/7; 379/430, 433-436, 419, 420, 428, 440; 455/89, 90

4,754,285	6/1988	Robitaille .	
4,800,543	1/1989	Lyndon-James et al. .	
4,847,818	7/1989	Olsen .	
4,885,728	12/1989	Gosselin	368/10
4,930,148	5/1990	Lee .	
4,942,617	7/1990	Boylan	381/182
4,969,180	11/1990	Watterson et al. .	
5,008,864	4/1991	Yoshitake .	
5,048,092	9/1991	Yamaguchi et al.	381/187
5,054,051	10/1991	Hoff .	
5,113,428	5/1992	Fitzgerald .	
5,214,623	5/1993	Seager	379/430 X
5,218,577	6/1993	Seager	379/430 X
5,224,076	6/1993	Thorp	379/433 X
5,239,521	8/1993	Blonder .	
5,251,189	10/1993	Thorp	379/430 X
5,260,915	11/1993	Houlihan	368/10
5,274,613	12/1993	Seager	379/434 X

FOREIGN PATENT DOCUMENTS

1132201 6/1962 Germany .

OTHER PUBLICATIONS

Panasonic-Technics Show Update article, dated Jun. 1993. 2 pages.

AT&T—Have you ever installed a phone on your wrist? article, dated 1994. 1 page.

Primary Examiner—Jeffrey Asch
Attorney, Agent, or Firm—Muetting, Raasch, Gebhardt & Schwappach, P.A.

[56] **References Cited**

U.S. PATENT DOCUMENTS

D. 210,462	3/1968	Roberts	D14/155
D. 249,508	9/1978	Coughlin et al.	D14/37
D. 279,671	7/1985	Beaumont	D14/241
D. 293,097	12/1987	Alligood et al.	D13/8
D. 297,946	10/1988	Kuo	D18/7
D. 309,306	7/1990	Weiser et al.	D14/249
D. 310,523	9/1990	Hino et al. .	
D. 313,243	12/1990	Chimalamarri	D18/7
D. 318,865	8/1991	Ichikawa	D14/205
D. 326,450	5/1992	Watanabe	D12/191
D. 333,560	3/1993	Miyashita et al.	D3/30.1
D. 334,043	3/1993	Taniguchi	D21/205
D. 340,932	11/1993	Yan	D14/249
D. 352,706	11/1994	Hong	D14/137
D. 353,379	12/1994	Nakamura et al.	D14/223
2,478,887	8/1949	Nelson	136/173
3,032,651	5/1962	Gisiger-Stahli et al. .	
4,342,105	7/1982	Dorfman .	
4,435,088	3/1984	Dorfman .	
4,471,493	9/1984	Schober .	
4,586,827	5/1986	Hirsch et al. .	
4,646,872	3/1987	Kamon et al.	181/129

[57] **CLAIM**

The ornamental design for compact wireless telephone, as shown and described.

DESCRIPTION

FIG. 1 is a front perspective view of the compact wireless telephone with an outboard battery pod, an earpiece, and a wrist band in phantom showing our new design; FIG. 2 is a rear perspective view of the compact wireless telephone with an outboard battery pod, an earpiece, and a wrist band in phantom; FIG. 3 is a top plan view; FIG. 4 is a front elevation view;

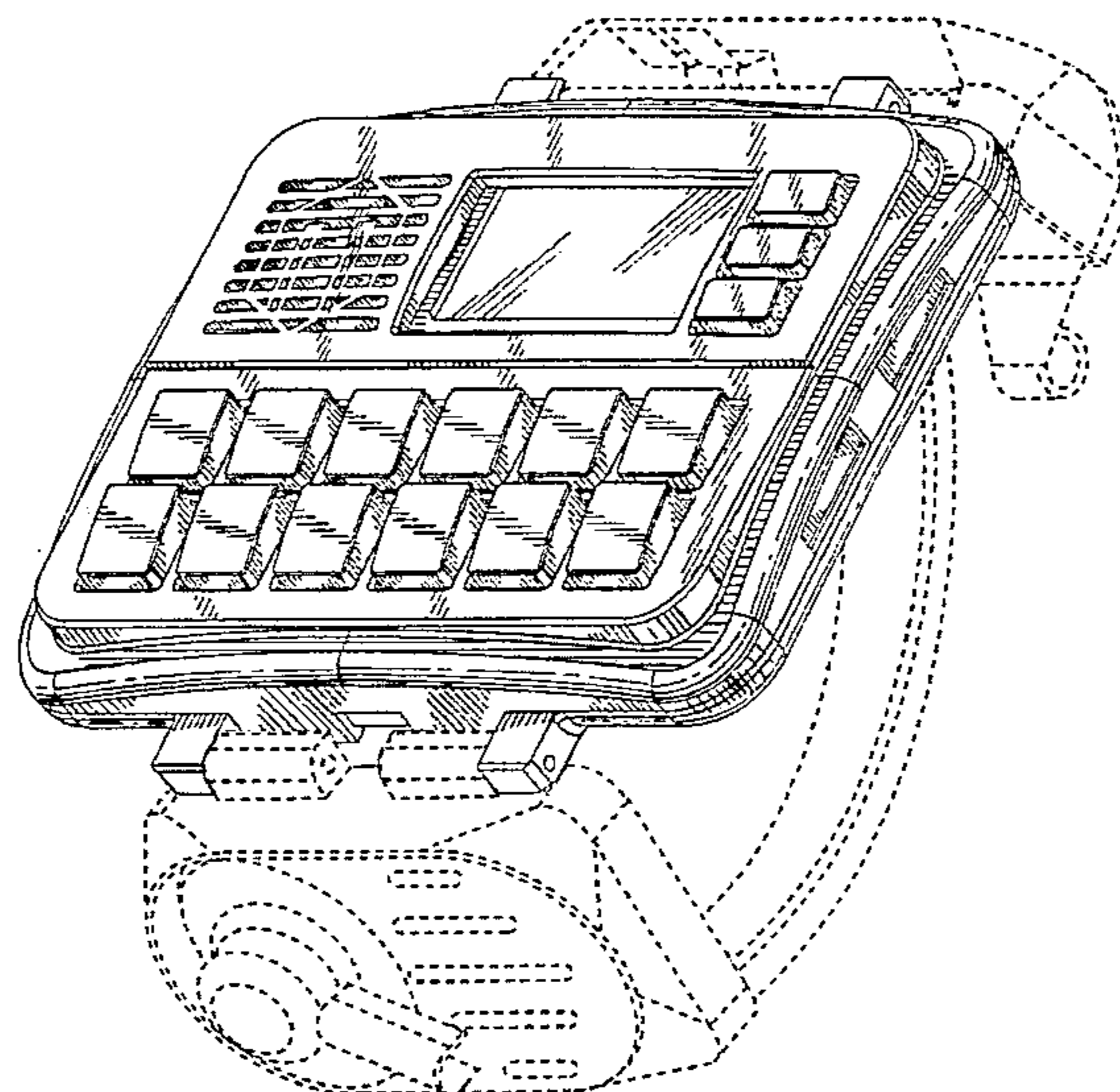


FIG. 5 is a side elevation view showing the right side;
FIG. 6 is a rear elevation view;
FIG. 7 is a side elevation view showing the left side; and,
FIG. 8 is a bottom plan view.

The broken line showings of FIGS. 1 and 2 are for illustrative purposes only and form no part of the claimed design.

1 Claim, 8 Drawing Sheets

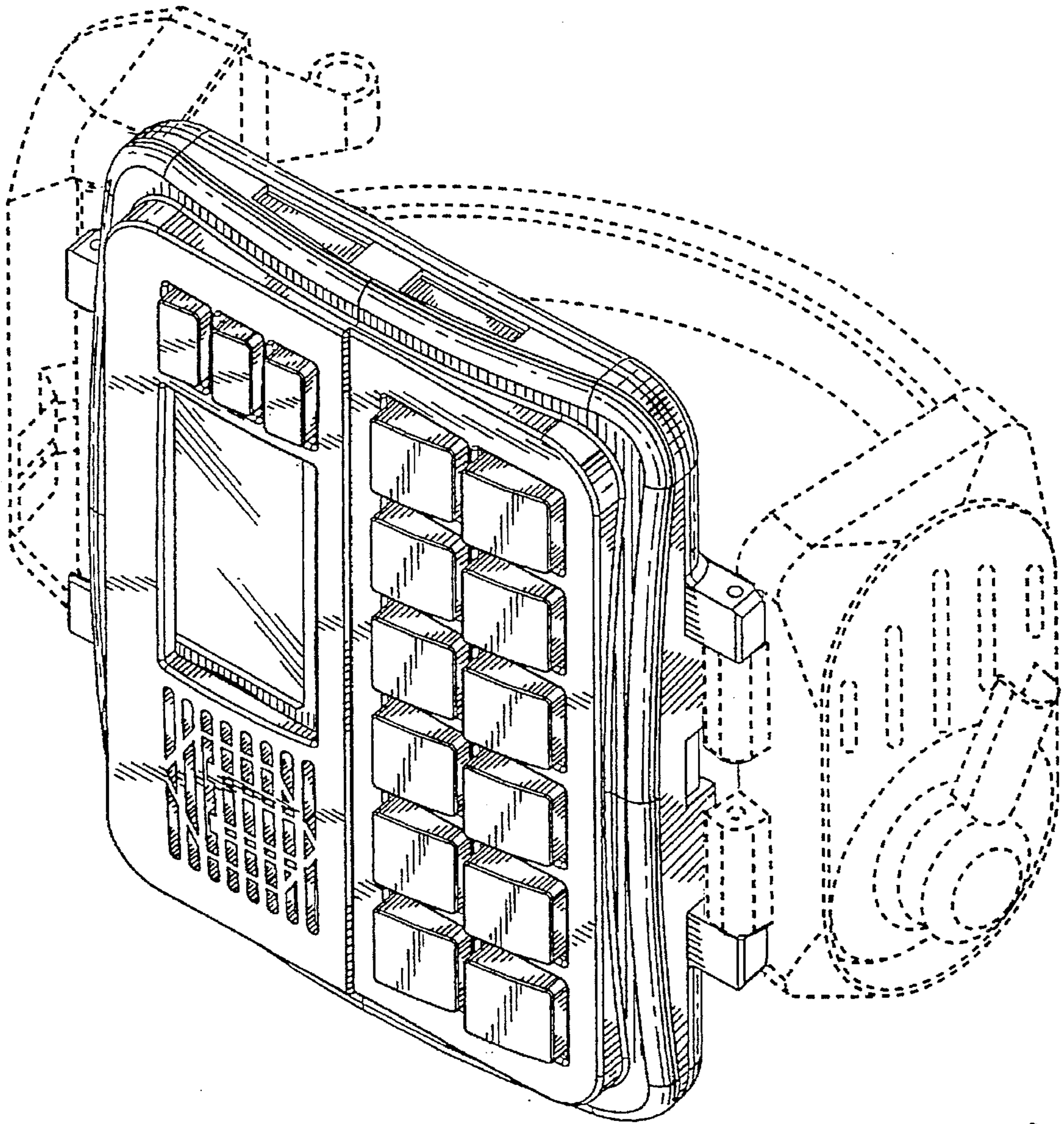


FIG. 1

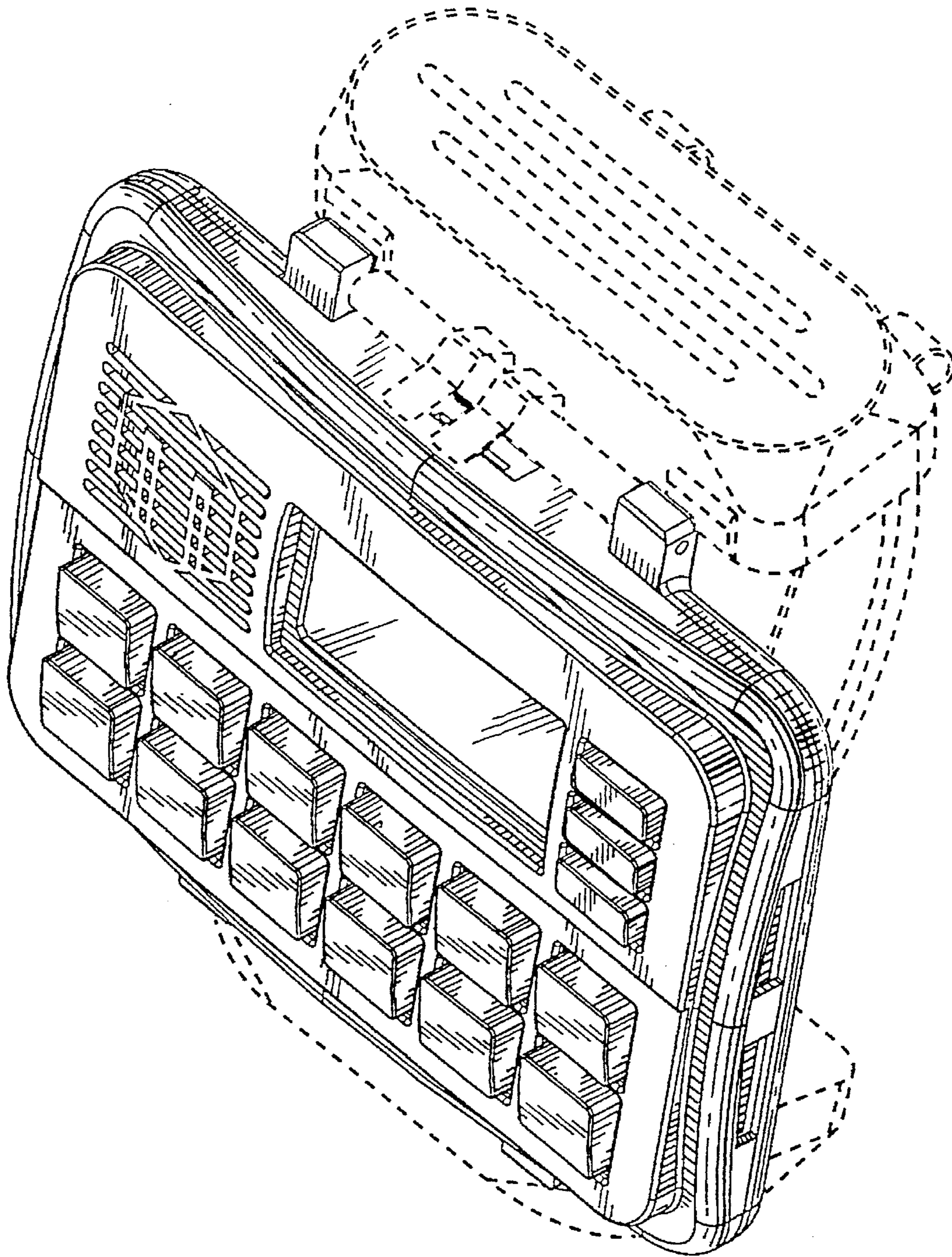


FIG. 2

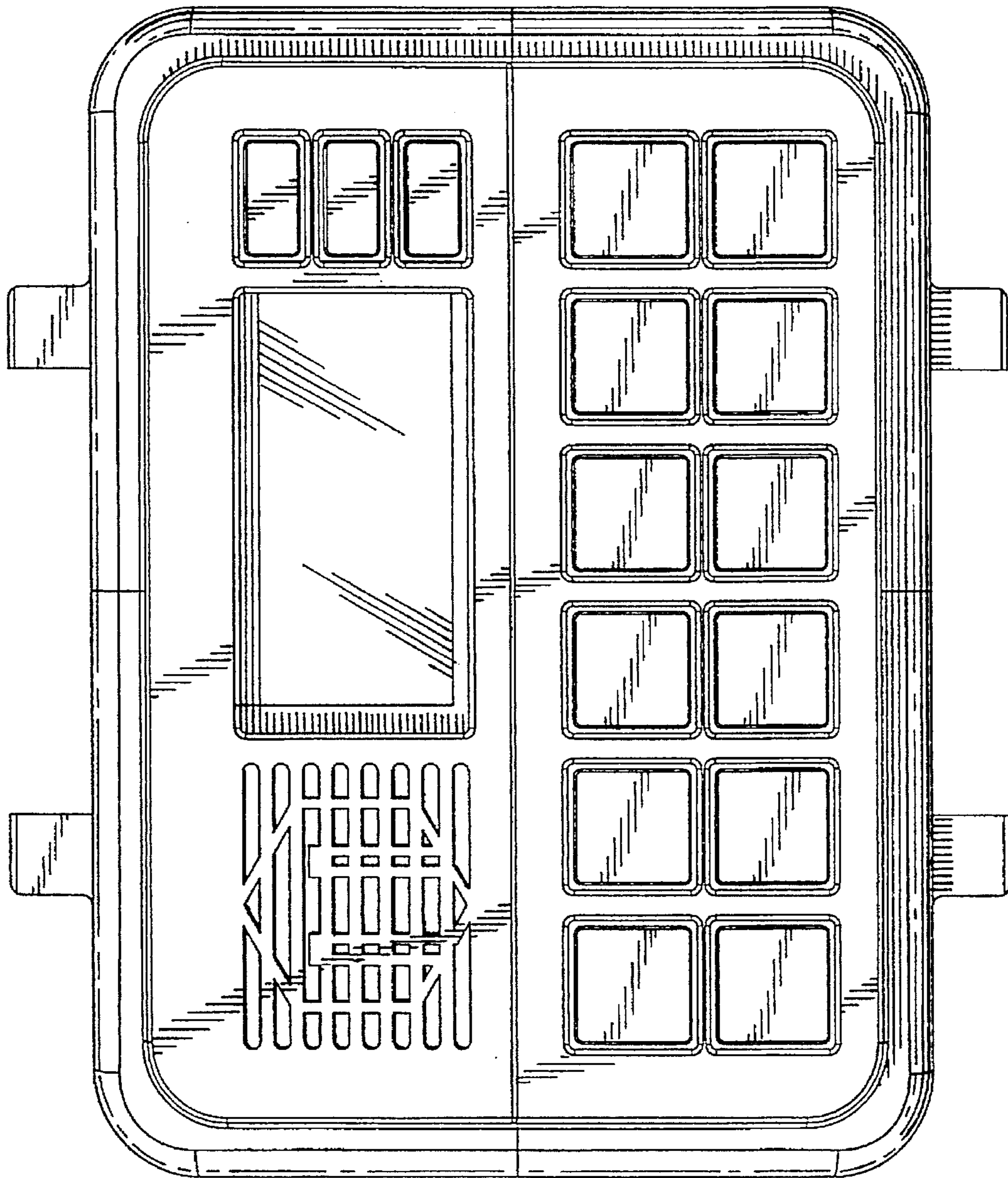


FIG. 3

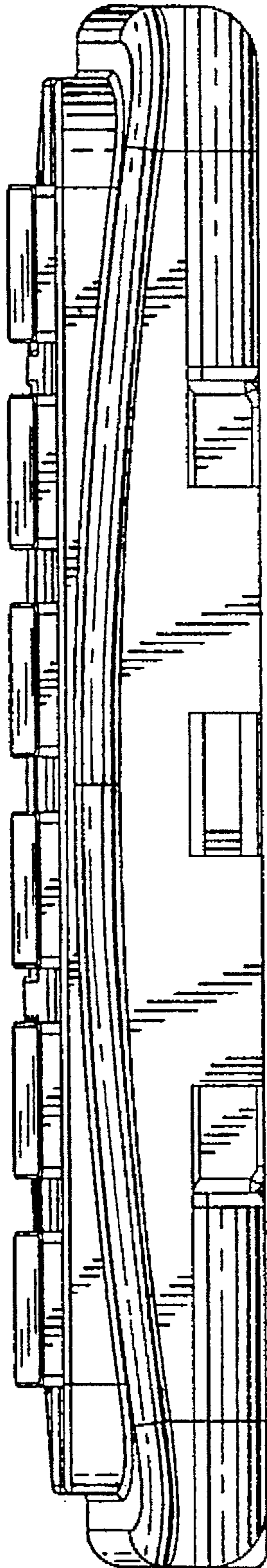


FIG. 4

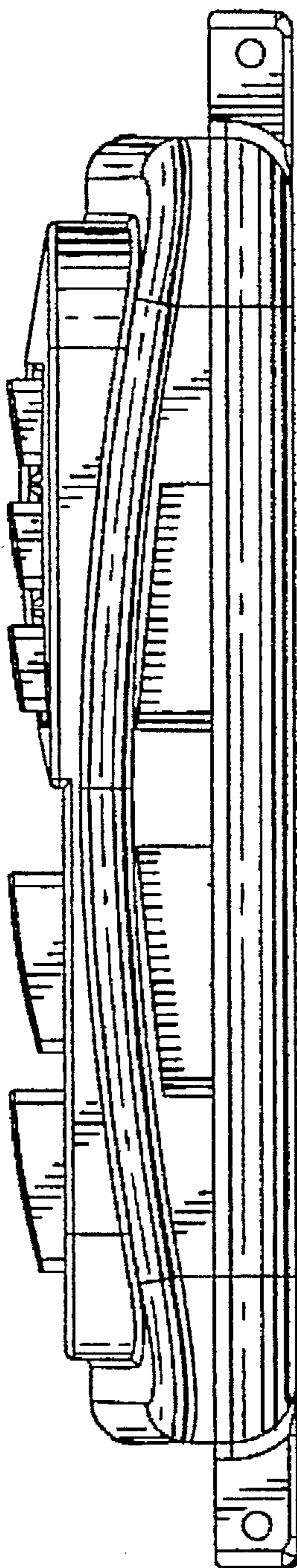


FIG. 5

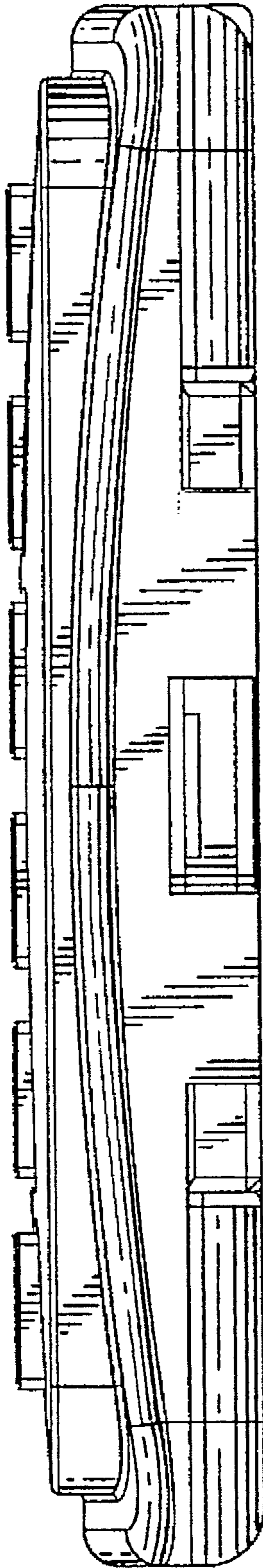


FIG. 6

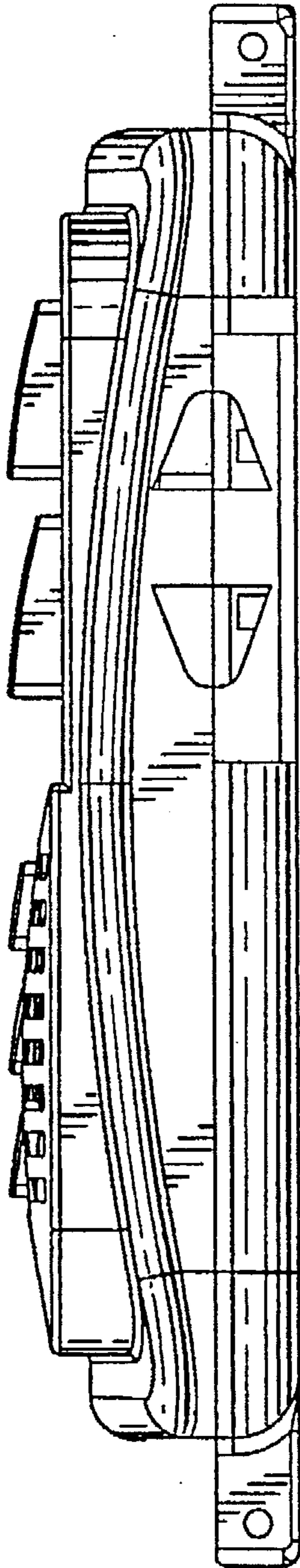


FIG. 7

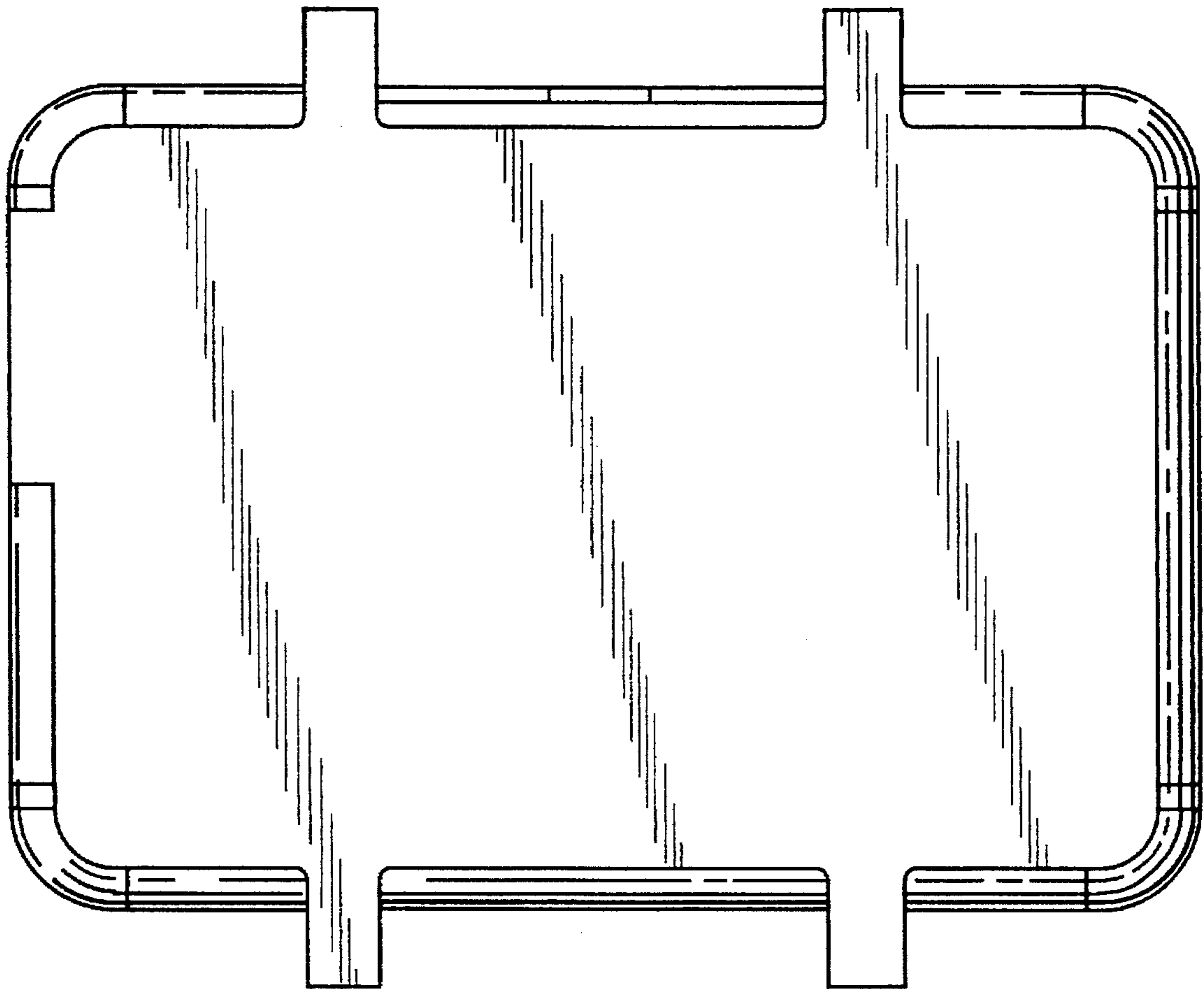


FIG. 8