



US00D381644S

# United States Patent [19]

Carlson et al.

[11] Patent Number: **Des. 381,644**

[45] Date of Patent: **\*\*Jul. 29, 1997**

[54] **TRIANGLE-SHAPED MOVABLE SHUTTER FOR A DATA STORAGE DISKETTE CARTRIDGE**

[75] Inventors: **Bruce W. Carlson; Jon R. Clark**, both of Minneapolis; **John W. Swanson**, Maplewood, all of Minn.

[73] Assignee: **Imation Corp.**, St. Paul, Minn.

[\*\*] Term: **14 Years**

[21] Appl. No.: **43,858**

[22] Filed: **Sep. 13, 1995**

[51] LOC (6) Cl. .... **14-02**

[52] U.S. Cl. .... **D14/114**

[58] Field of Search ..... **D14/114; 360/99.12, 360/133; 369/291**

4,943,880	7/1990	Muehlhausen et al. .	
5,021,913	6/1991	Overland et al. .	
5,046,170	9/1991	Oshima et al. ....	360/133
5,051,857	9/1991	Akiyama .....	360/133
5,081,557	1/1992	Takeuchi et al. ....	369/291 X
5,084,862	1/1992	Fujita et al. .	
5,140,490	8/1992	Fujita et al. ....	360/133
5,255,145	10/1993	Ambur et al. .	

### FOREIGN PATENT DOCUMENTS

0 411 670 A2	2/1991	European Pat. Off. .
5-13352	2/1993	Japan .
2 124 012	2/1984	United Kingdom .

Primary Examiner—Freda Nunn  
Attorney, Agent, or Firm—Eric D. Levinson

### [57] CLAIM

The ornamental design for a triangle-shaped movable shutter for a data storage diskette cartridge, as shown and described.

### [56] References Cited

#### U.S. PATENT DOCUMENTS

D. 298,251	10/1988	Kato et al. ....	D14/114
4,488,191	12/1984	Oishi et al. .	
4,581,670	4/1986	Nemoto et al. .	
4,644,435	2/1987	Nemoto et al. .	
4,648,001	3/1987	Komatsu et al. .	
4,698,714	10/1987	Sugawara et al. .	
4,743,994	5/1988	Kato et al. ....	360/133
4,799,123	1/1989	Kanazawa et al. .	
4,839,953	6/1989	Mizuta .	

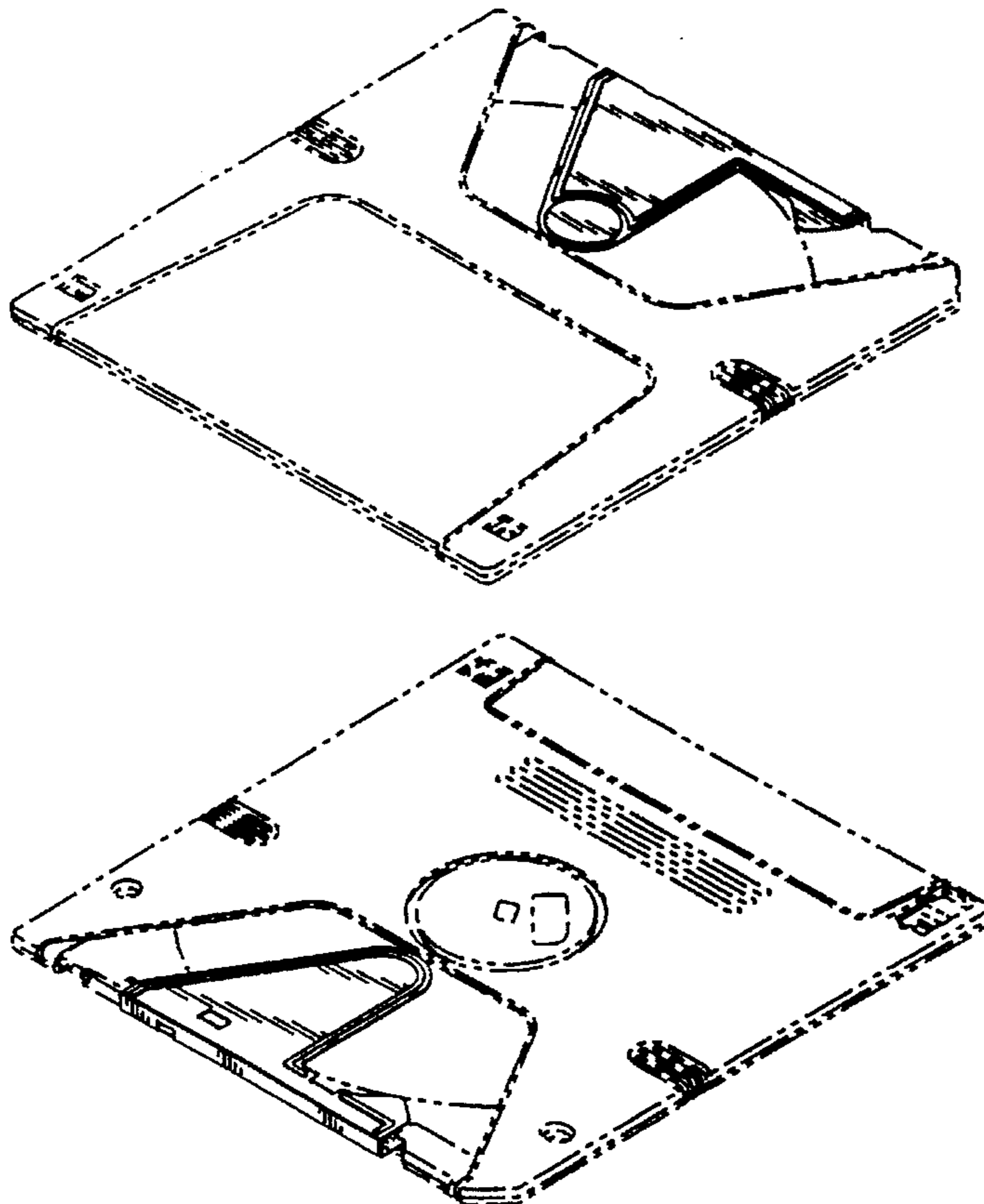
### DESCRIPTION

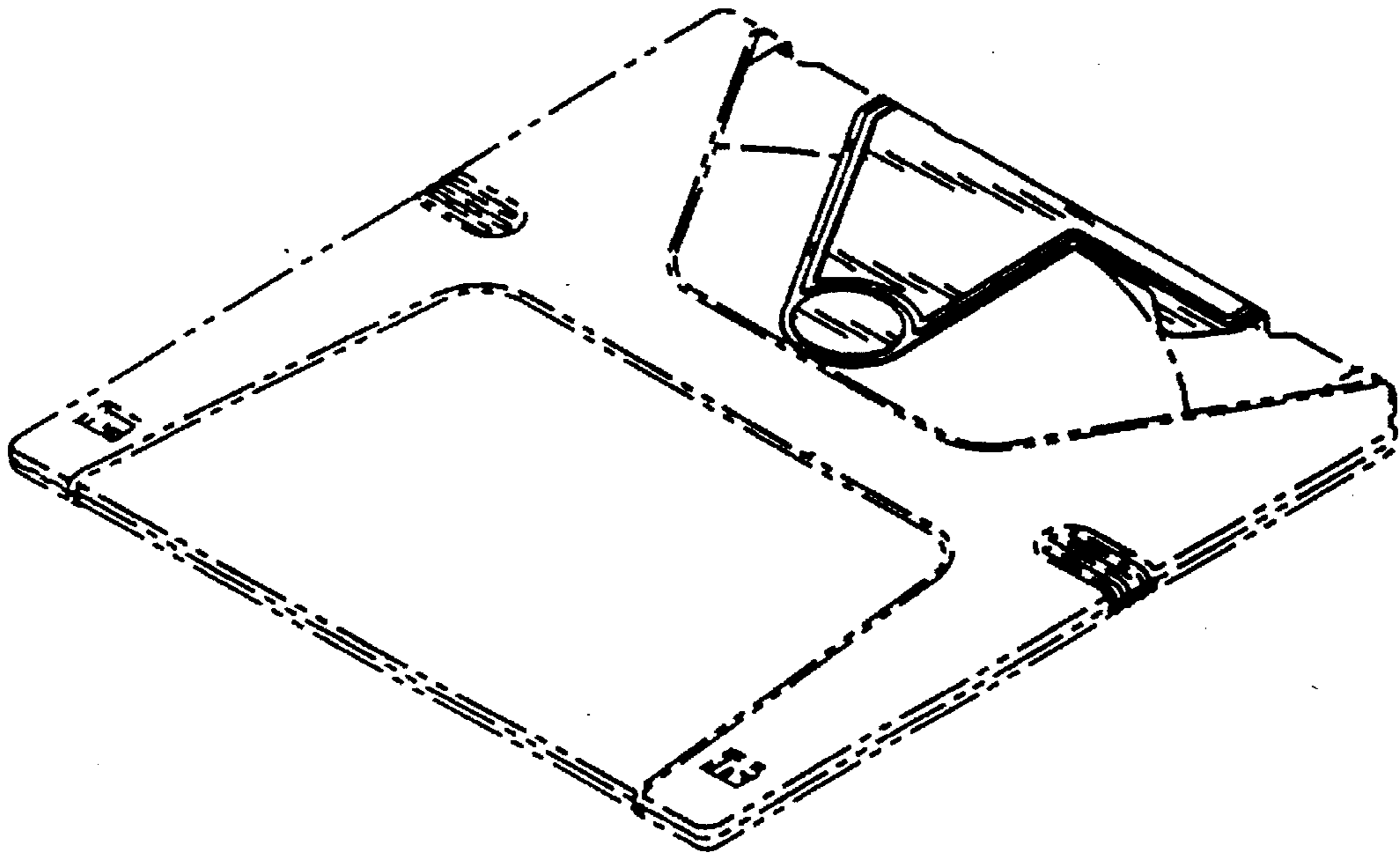
FIG. 1 is a top perspective view of a triangle-shaped movable shutter for a data storage diskette cartridge according to the present invention; and,

FIG. 2 is a bottom perspective view thereof.

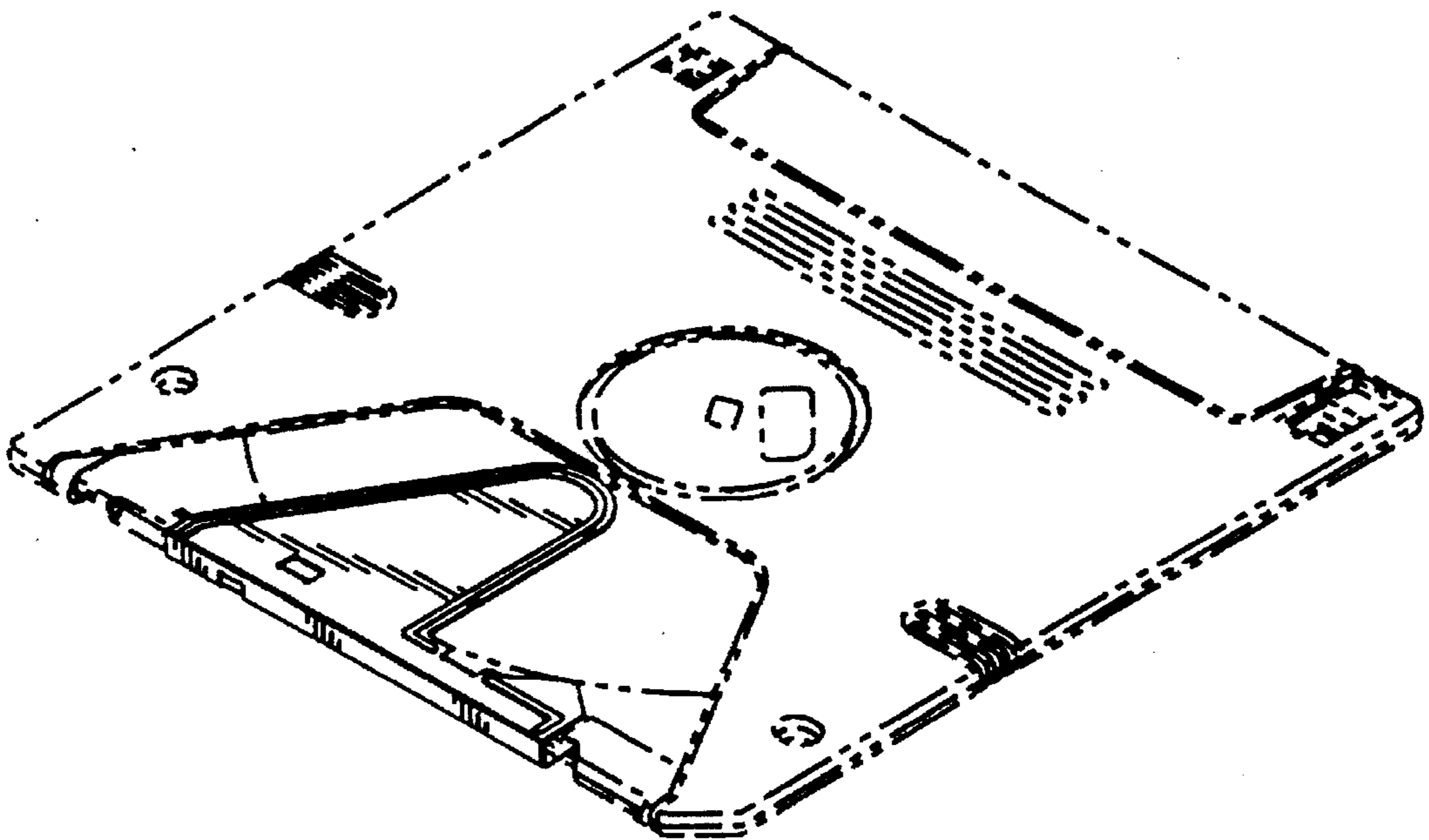
Those portions of the diskette cartridge shown in broken lines are included for illustrative purposes only and form no part of the claimed design.

**1 Claim, 1 Drawing Sheet**





**Fig. 1**



**Fig. 2**