



US00D381642S

United States Patent [19]

Kiger et al.

[11] Patent Number: Des. 381,642

[45] Date of Patent: **Jul. 29, 1997

[54] TRIM PIECE FOR VIDEO DISPLAY

5,104,087 4/1992 Wentzloff et al. 248/442.2
5,398,905 3/1995 Hinson 248/442.2

[76] Inventors: **Mary Kiger; Glenn Kiger**, both of 2
Scythe Ct., Durham, N.C. 27705

Primary Examiner—Freda Nunn
Attorney, Agent, or Firm—Harold H. Dutton, Jr.; W. Charles
L. Jamison; Diane F. Liebman

[**] Term: 14 Years

[21] Appl. No.: 43,597

[57] CLAIM

[22] Filed: Sep. 7, 1995

The ornamental design for a trim piece for a video display,
as shown and described.

[51] LOC (6) Cl. 14-02

DESCRIPTION

[52] U.S. Cl. D14/114; D14/115

[58] Field of Search D14/100, 101,
D14/102, 115, 257, 258; D13/162, 164,
177; D10/103; 312/223.2; 361/679-686;
D19/75; 248/442.2, 918-924

FIG. 1 is a perspective view of a trim piece for a video display showing my new design;
FIG. 2 is a rear view thereof;
FIG. 3 is a bottom view thereof; and,
FIG. 4 is a left side view thereof.

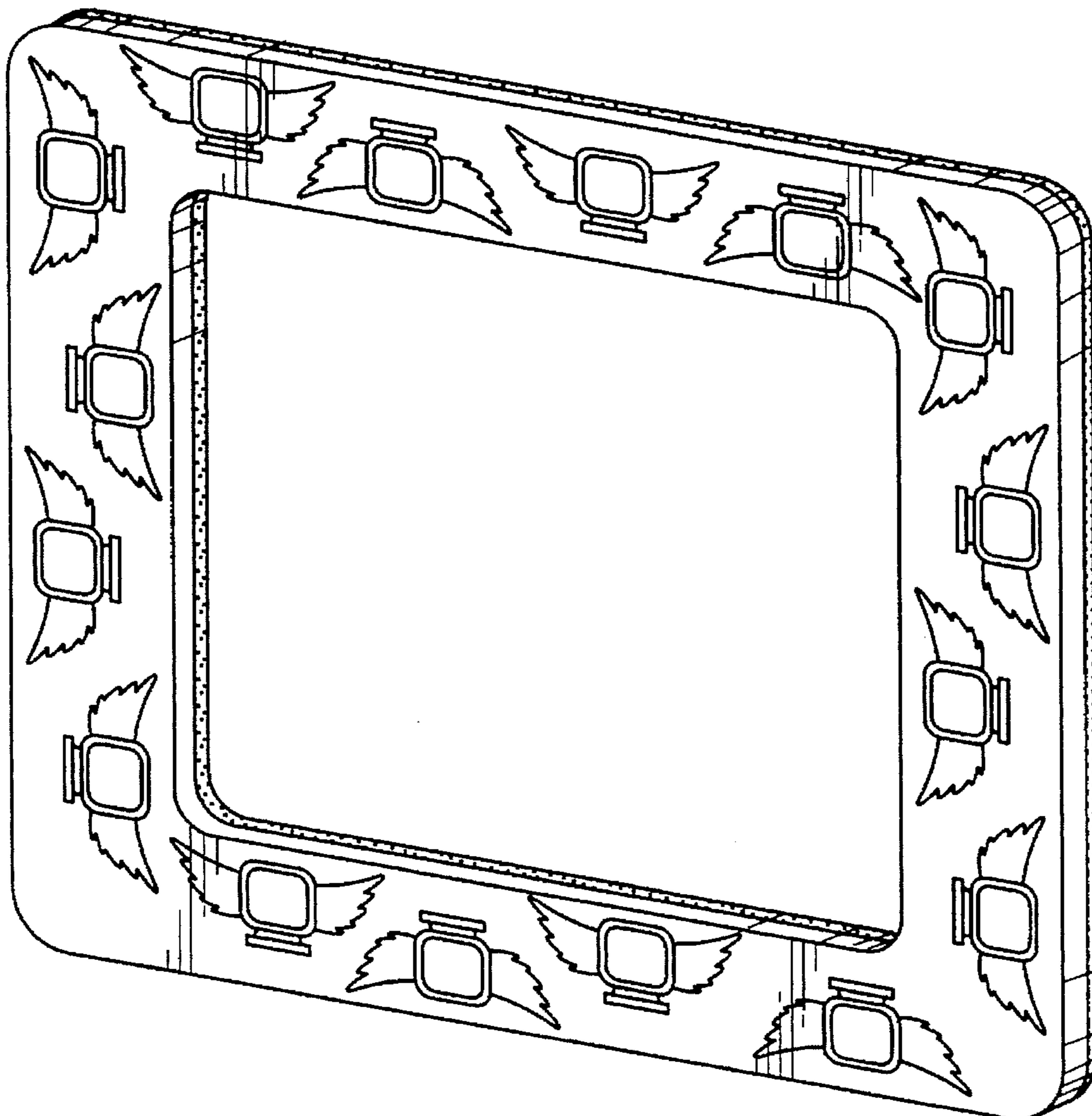
[56] References Cited

The top view is a mirror image of FIG. 3 and the right side
is a mirror image of FIG. 4.

U.S. PATENT DOCUMENTS

D. 257,991 1/1981 Bestler et al. D19/75
D. 358,177 5/1995 Imai et al. D14/115 X

1 Claim, 2 Drawing Sheets



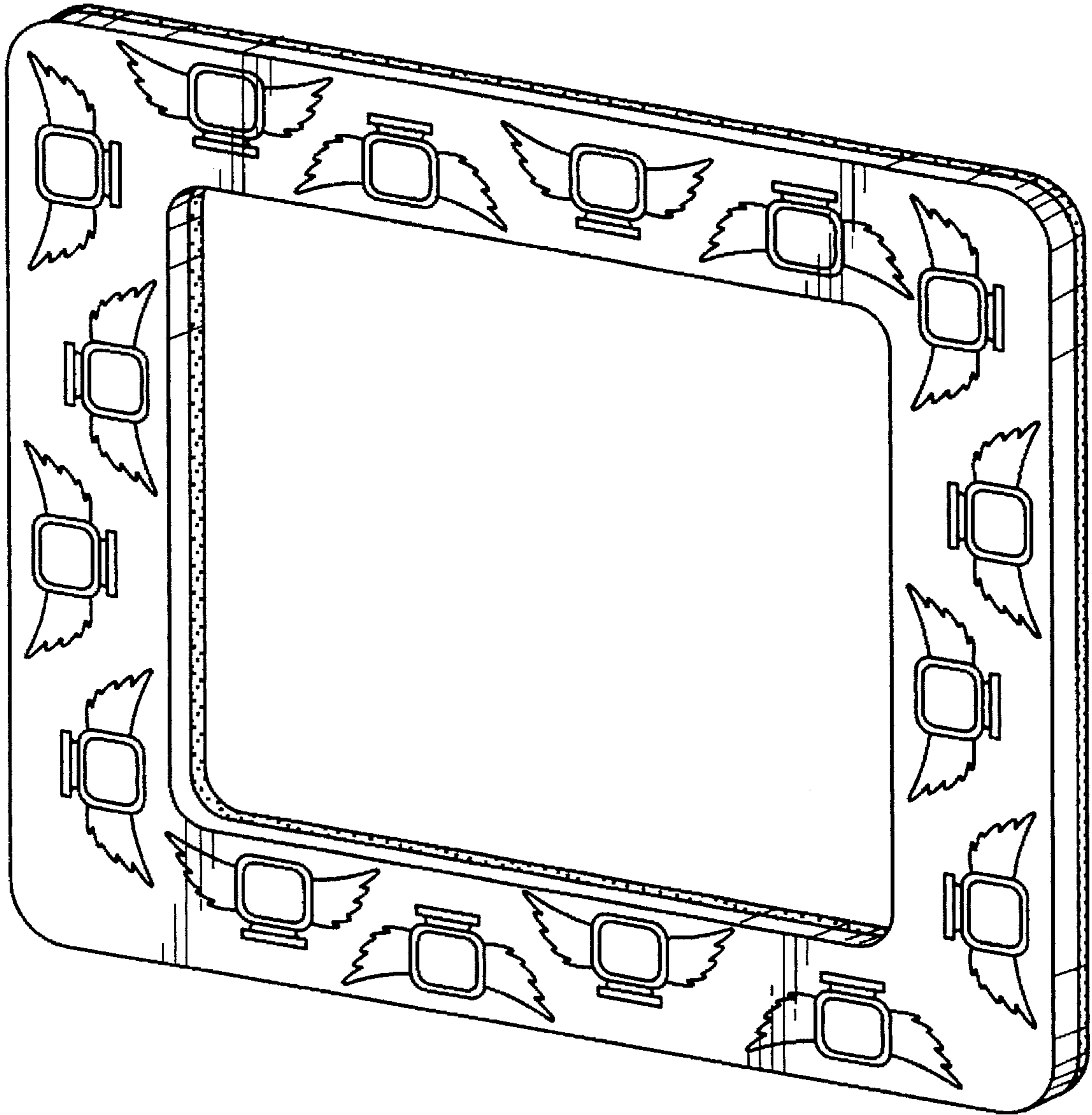


FIG. 1

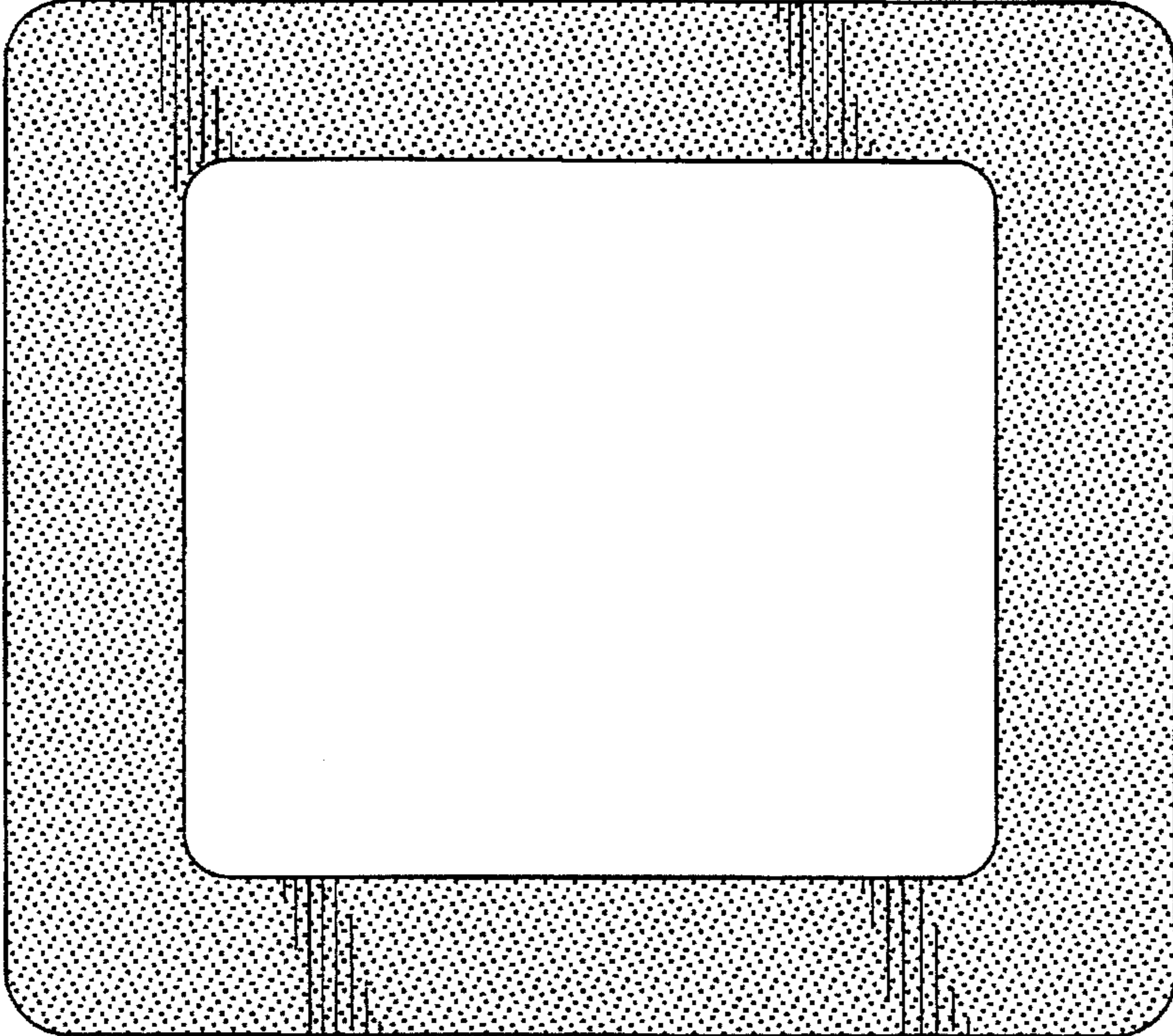


FIG. 2



FIG. 4



FIG. 3