



US00D381639S

United States Patent [19]

[11] Patent Number: **Des. 381,639**

Fraquelli et al.

[45] Date of Patent: ****Jul. 29, 1997**

[54] **DESKTOP PERSONAL COMPUTER**

Primary Examiner—Freda Nunn
Attorney, Agent, or Firm—Anthony N. Magistrale

[75] Inventors: **Roberto Fraquelli**, London, England;
Susan Sommers Moffatt, Chapel Hill, N.C.;
John Alan Wiseman, Winchester, England

[57] **CLAIM**

The ornamental design for a desktop personal computer, as shown and described.

[73] Assignee: **International Business Machines Corporation**, Armonk, N.Y.

DESCRIPTION

[**] Term: **14 Years**

FIG. 1 is a front, top and right side view of a desktop personal computer according to the present invention; FIG. 2 is a front elevational view thereof; FIG. 3 is a rear elevational view thereof; FIG. 4 is a left side elevational view thereof; FIG. 5 is a right side elevational view thereof; FIG. 6 is a top plan view thereof; FIG. 7 is a bottom plan view thereof; FIG. 8 is a front top and right side perspective view thereof wherein the front cover is shown opened and exposing the disk drive slot; FIG. 9 is a front elevational view of the desktop personal computer of FIG. 8; FIG. 10 is a top plan view of the desktop personal computer of FIG. 8; and, FIG. 11 is a bottom plan view of the desktop personal computer of FIG. 8.

[21] Appl. No.: **50,792**

[22] Filed: **Feb. 26, 1996**

[51] LOC (6) Cl. **14-02**

[52] U.S. Cl. **D14/100**

[58] **Field of Search** D14/100, 102, D14/107-109; D13/162, 184, 199; D6/432, 436, 445, 448; 312/208.1, 254, 292; 361/680-695

[56] **References Cited**

U.S. PATENT DOCUMENTS

- D. 315,899 4/1991 Kim D14/109
- D. 338,875 8/1993 Neal et al. D14/109 X
- D. 344,717 3/1994 Cruz et al. D14/109 X

1 Claim, 11 Drawing Sheets

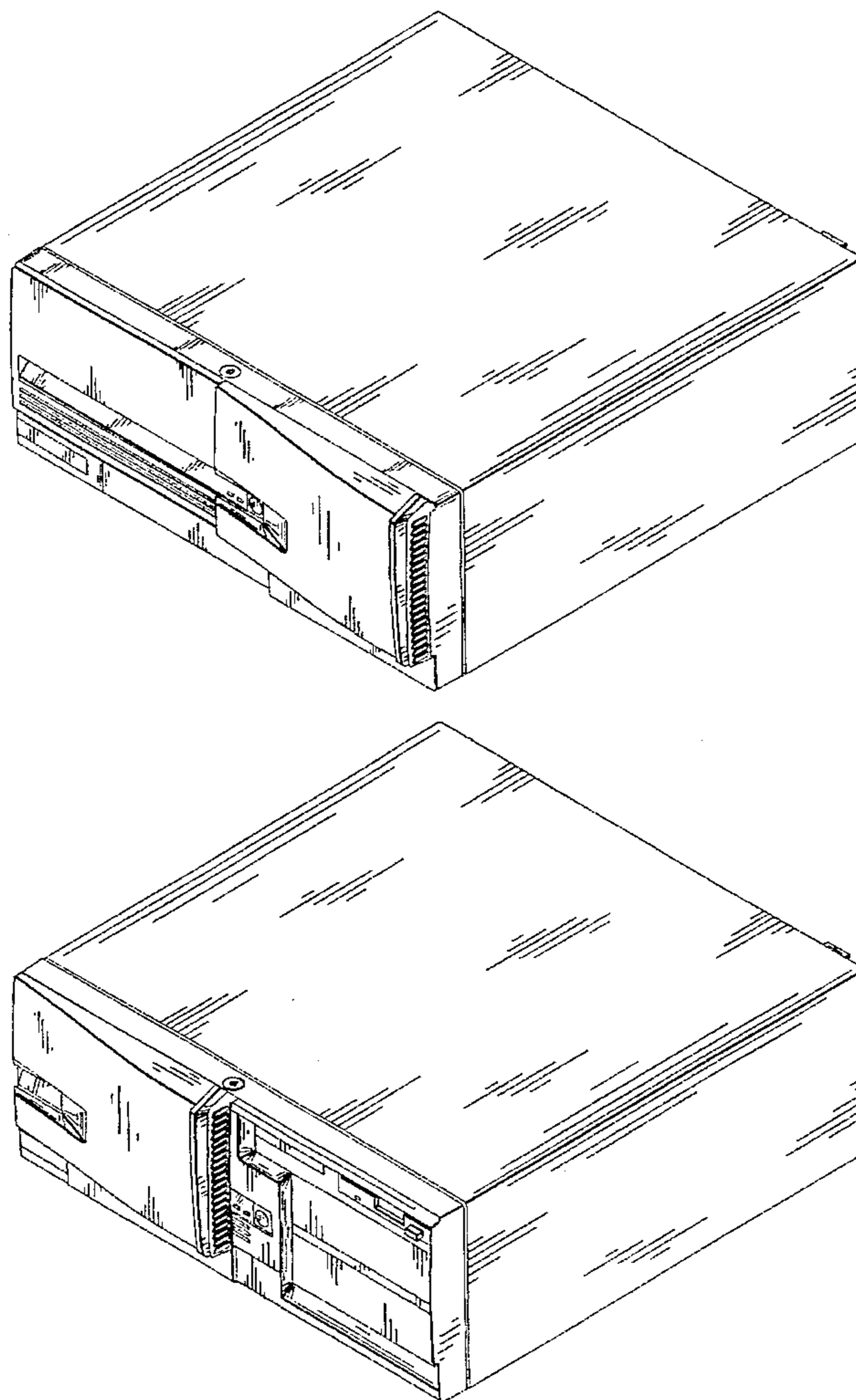


FIG. 1

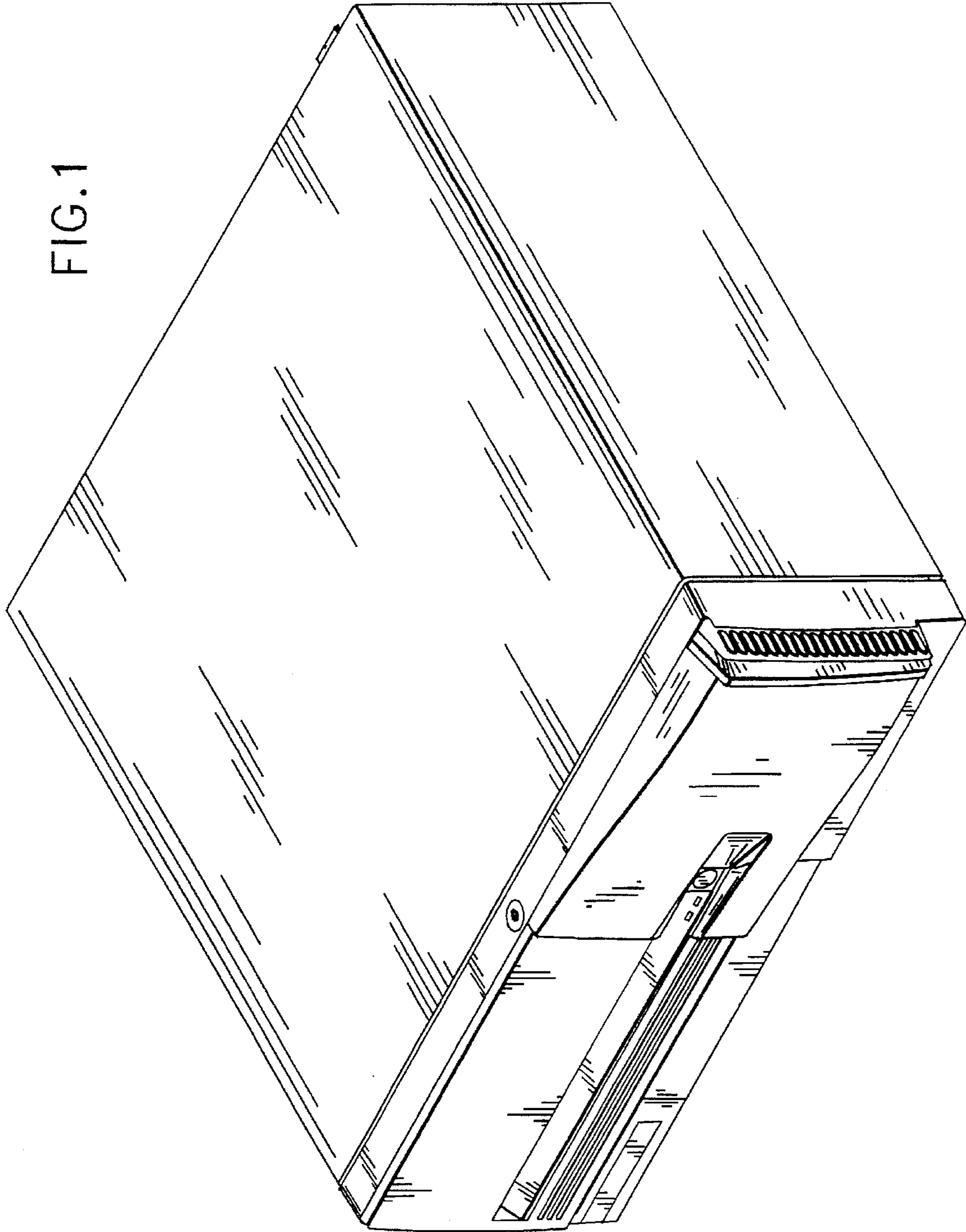


FIG. 2

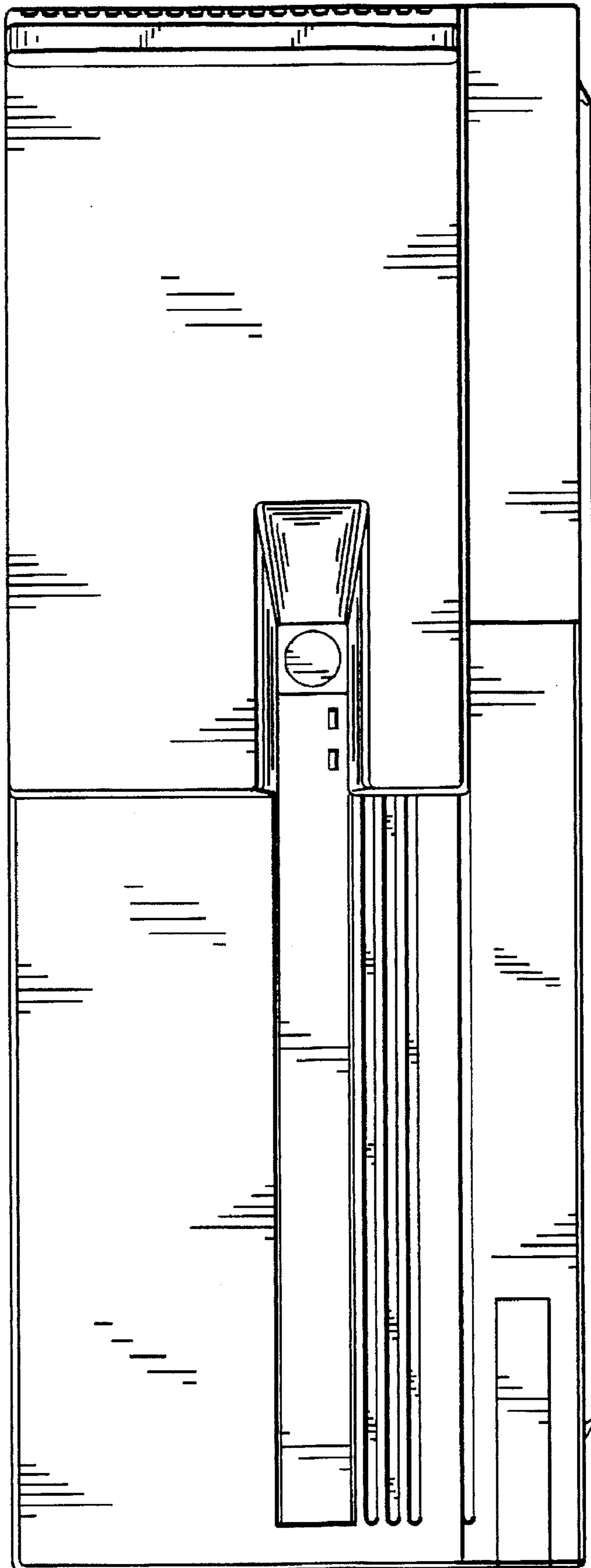


FIG. 3

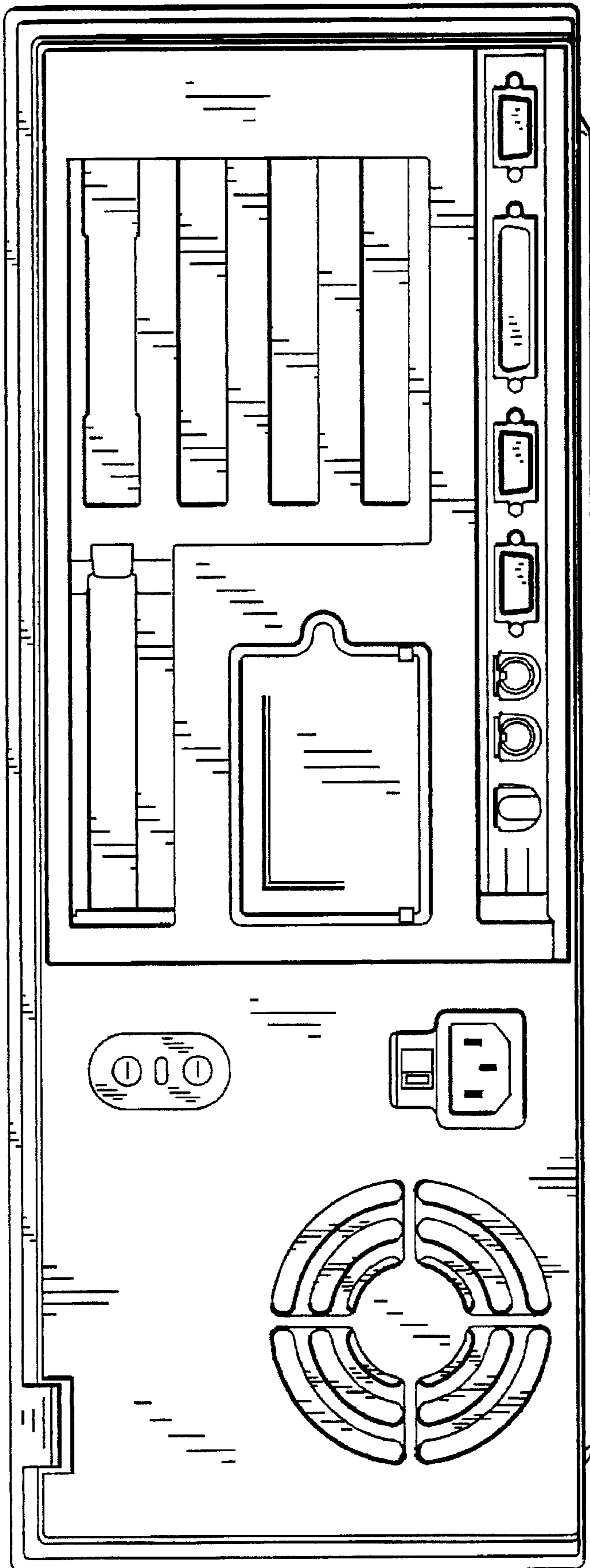


FIG. 4

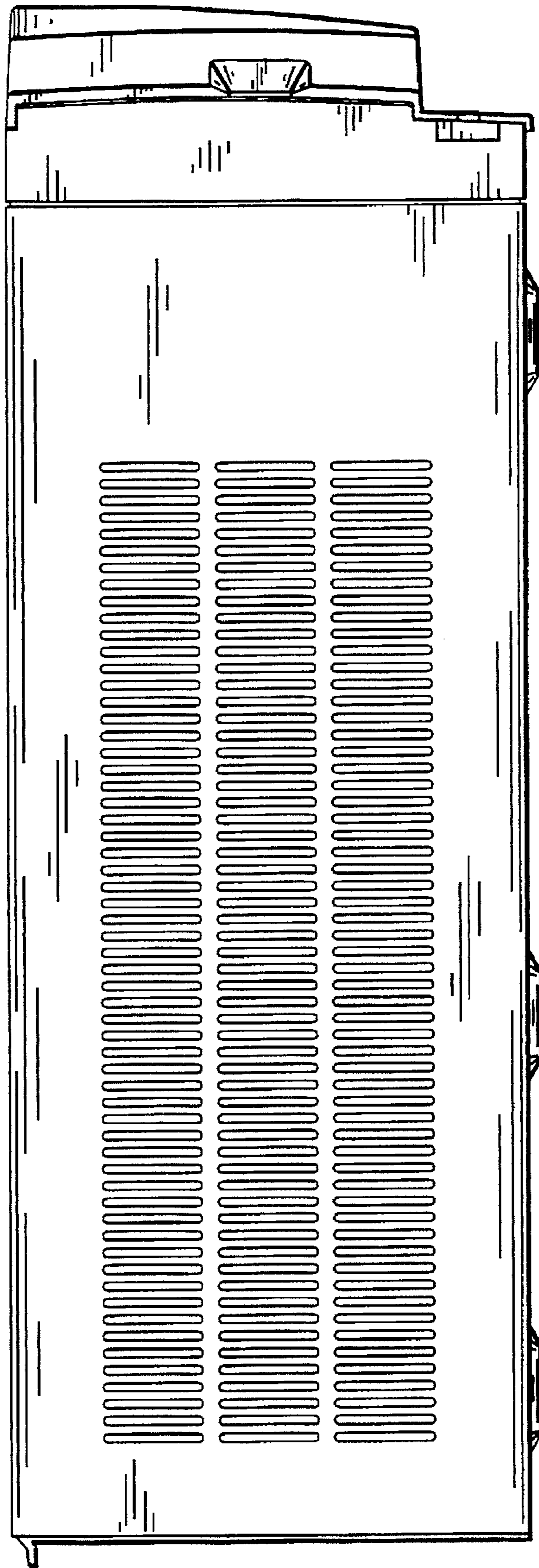


FIG. 5

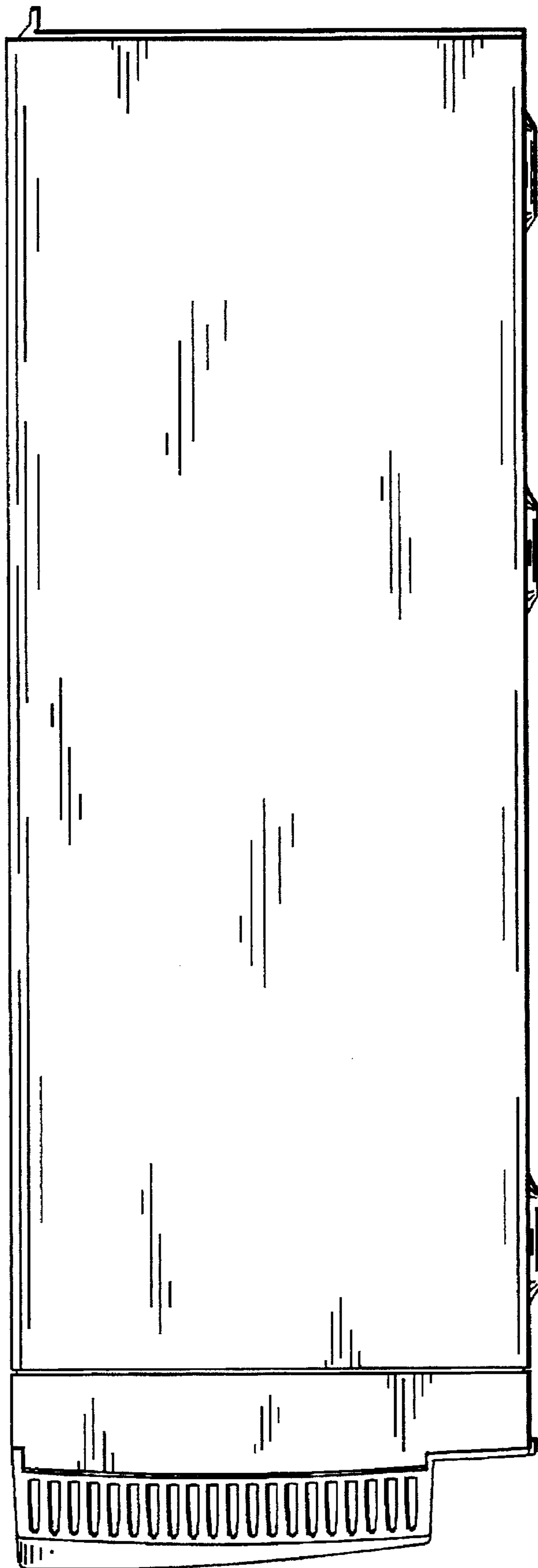


FIG. 6

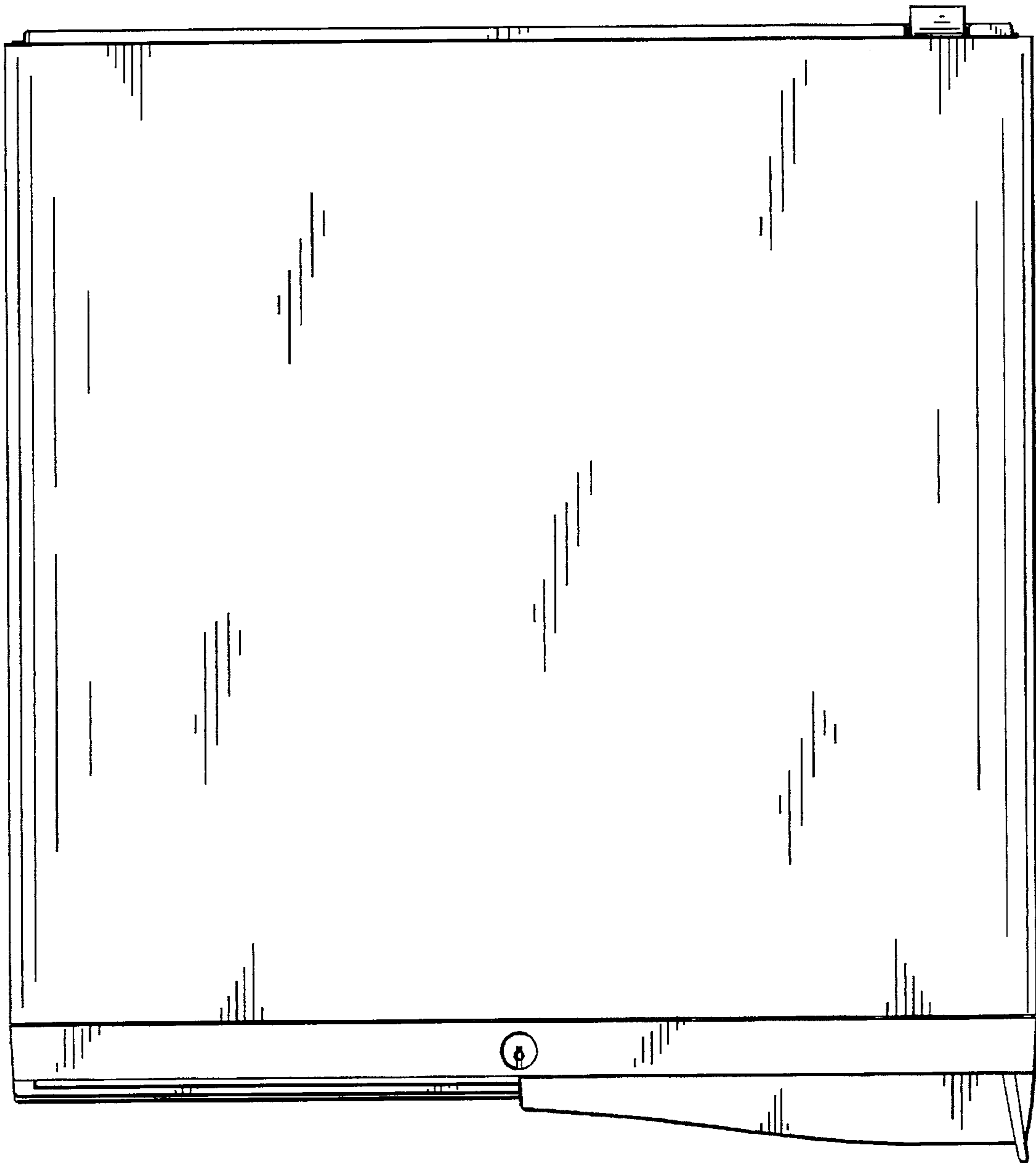


FIG. 7

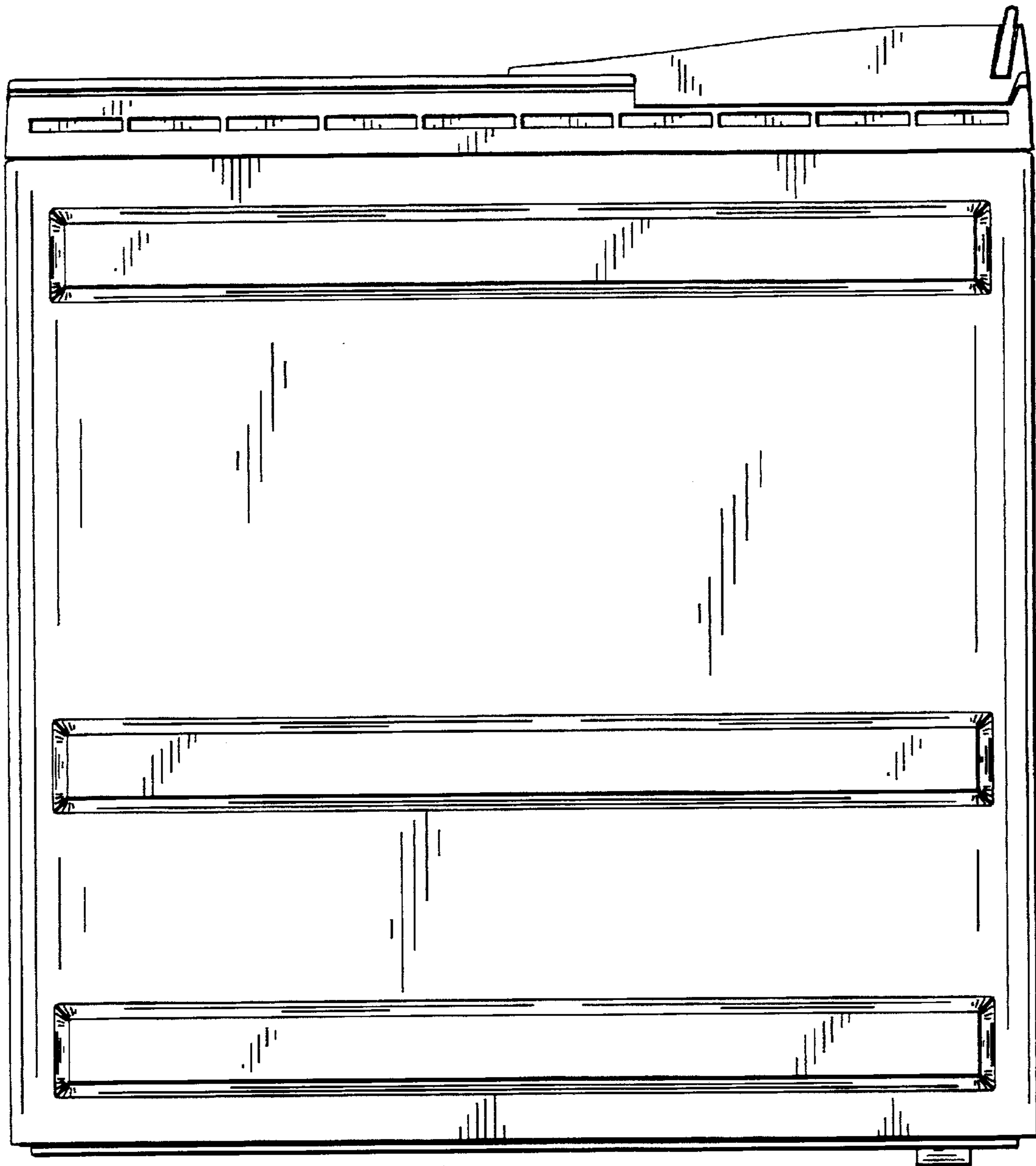


FIG. 8

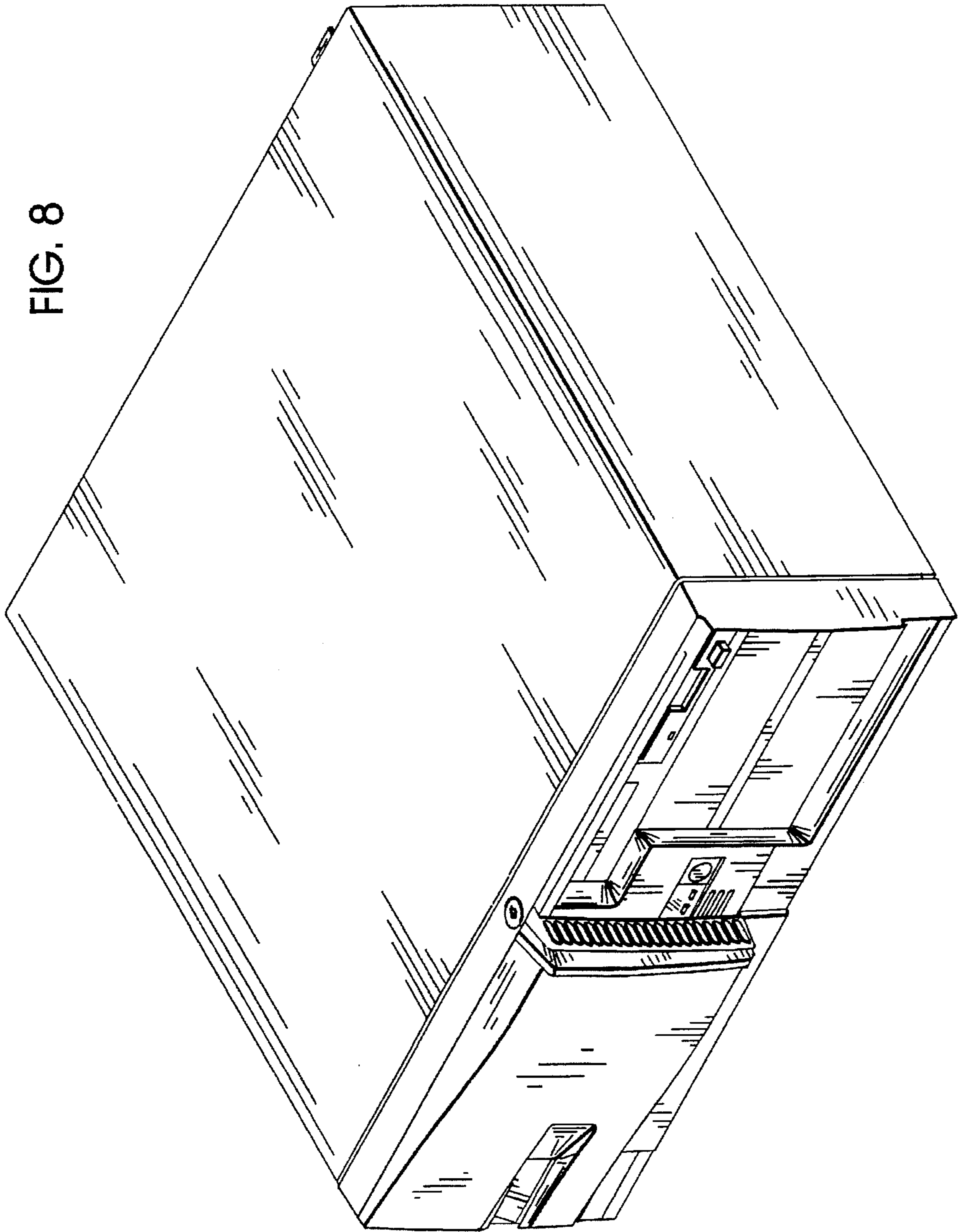


FIG. 9

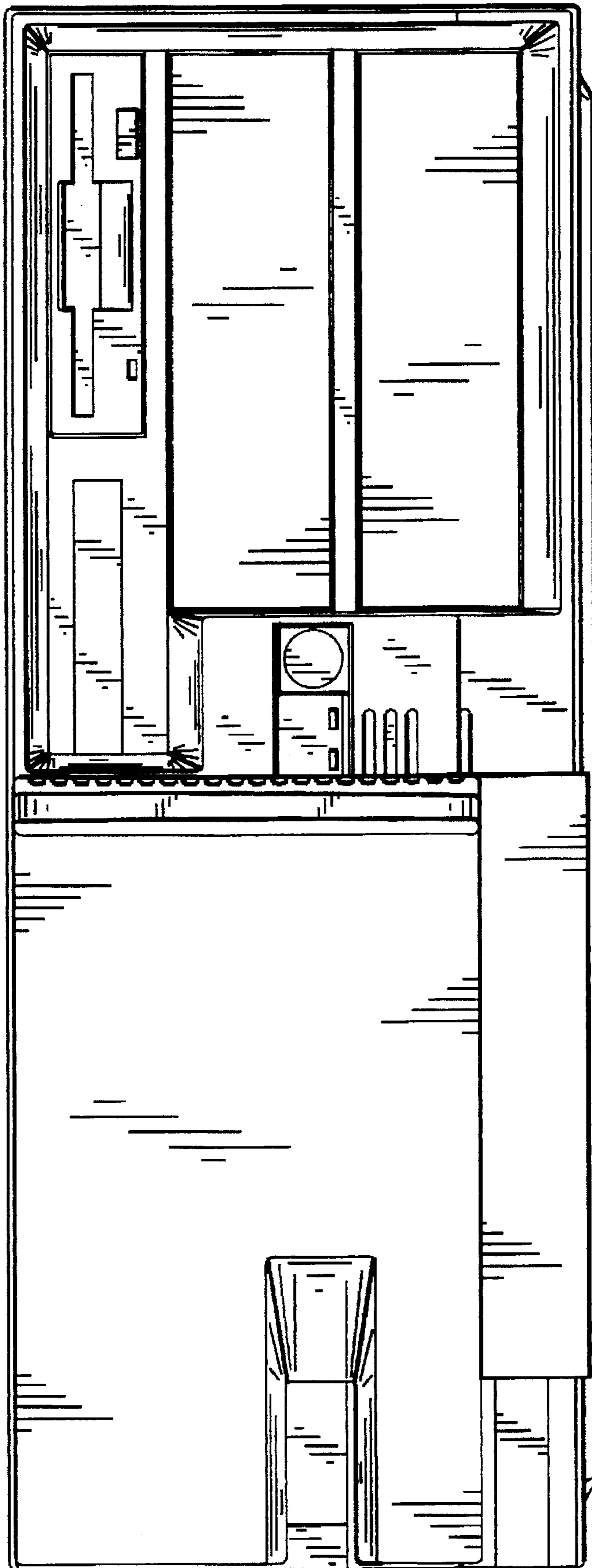


FIG. 10

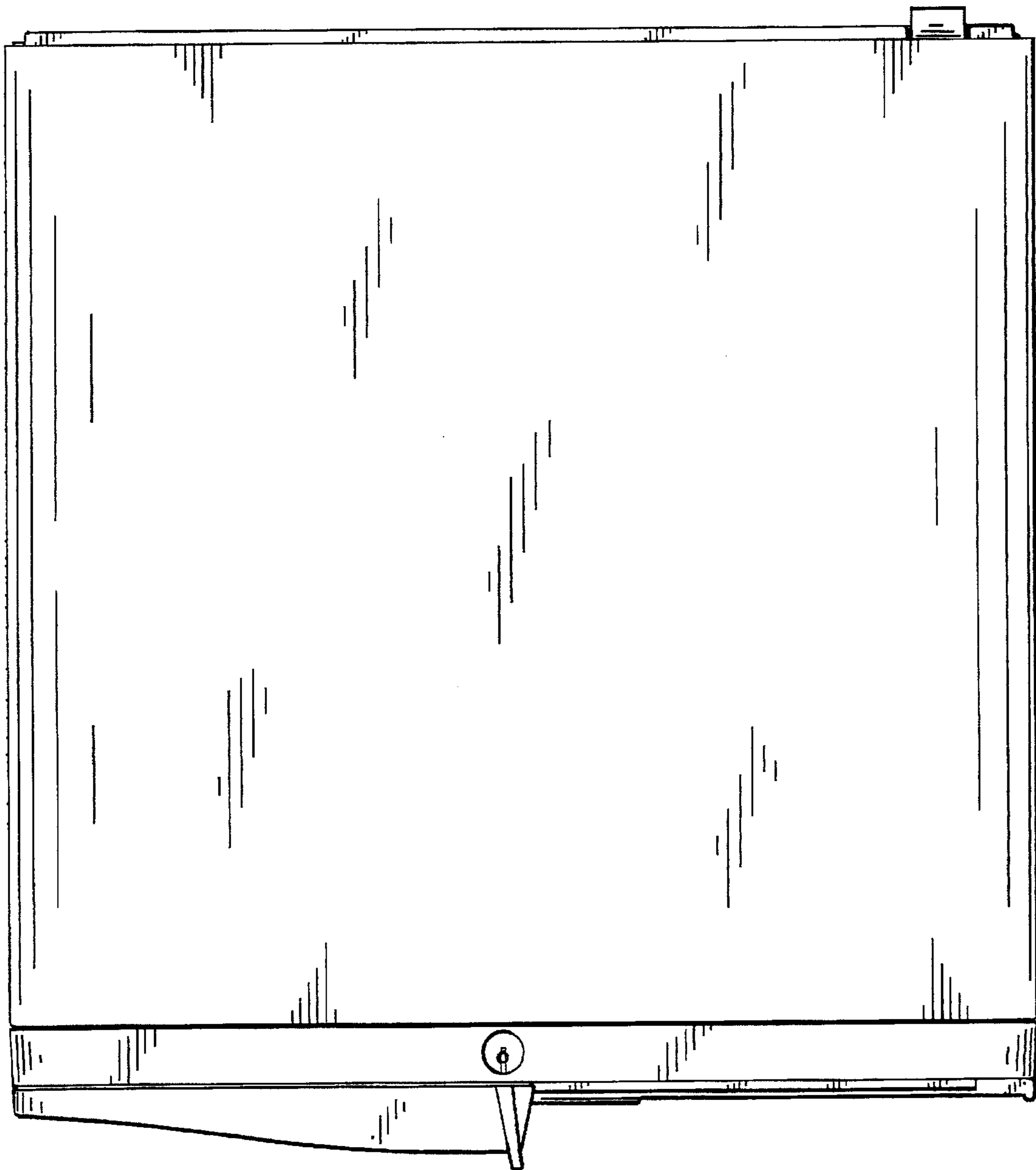


FIG. 11

