



US00D381631S

United States Patent [19]

Hallett et al.

[11] Patent Number: Des. 381,631

[45] Date of Patent: **Jul. 29, 1997

[54] ELECTRICAL OUTLET PROTECTOR

[76] Inventors: **Richard Percy Hallett**, P.O. Box 232, Mars Hill, Me. 04758; **Gregory Scott Hallett**, P.O. Box 1509, Presque Isle, Me. 04769

[**] Term: 14 Years

[21] Appl. No.: 41,322

[22] Filed: Jul. 11, 1995

[51] LOC (6) Cl. 13-03

[52] U.S. Cl. D13/156

[58] Field of Search D13/156; 174/66, 174/67; 220/242, 337, 339; 439/133, 134, 137, 142, 149

[56] References Cited

U.S. PATENT DOCUMENTS

- D. 185,725 7/1959 Wieland .
- D. 354,736 1/1995 Hallett et al. D13/156
- 2,439,708 4/1948 Abraham .
- 2,761,112 8/1956 Torcivia .
- 2,880,264 3/1959 Ruskin .
- 2,916,733 12/1959 Hirsch .
- 2,987,690 6/1961 Marbais .
- 4,070,078 1/1978 Chrones .
- 4,593,541 6/1986 Hollis .
- 4,605,817 8/1986 Lopez .
- 4,652,696 3/1987 Winnick 174/67

- 4,851,612 7/1989 Peckham .
- 4,993,963 2/1991 Pedigo .
- 5,045,640 9/1991 Riceman .
- 5,174,773 12/1992 Jones .

FOREIGN PATENT DOCUMENTS

- 2 192 315 1/1988 United Kingdom .
- 2 241 389 8/1991 United Kingdom .

Primary Examiner—Antoine Duval Davis
Attorney, Agent, or Firm—Richard C. Litman

[57] CLAIM

The ornamental design for an electrical outlet protector, as shown and described.

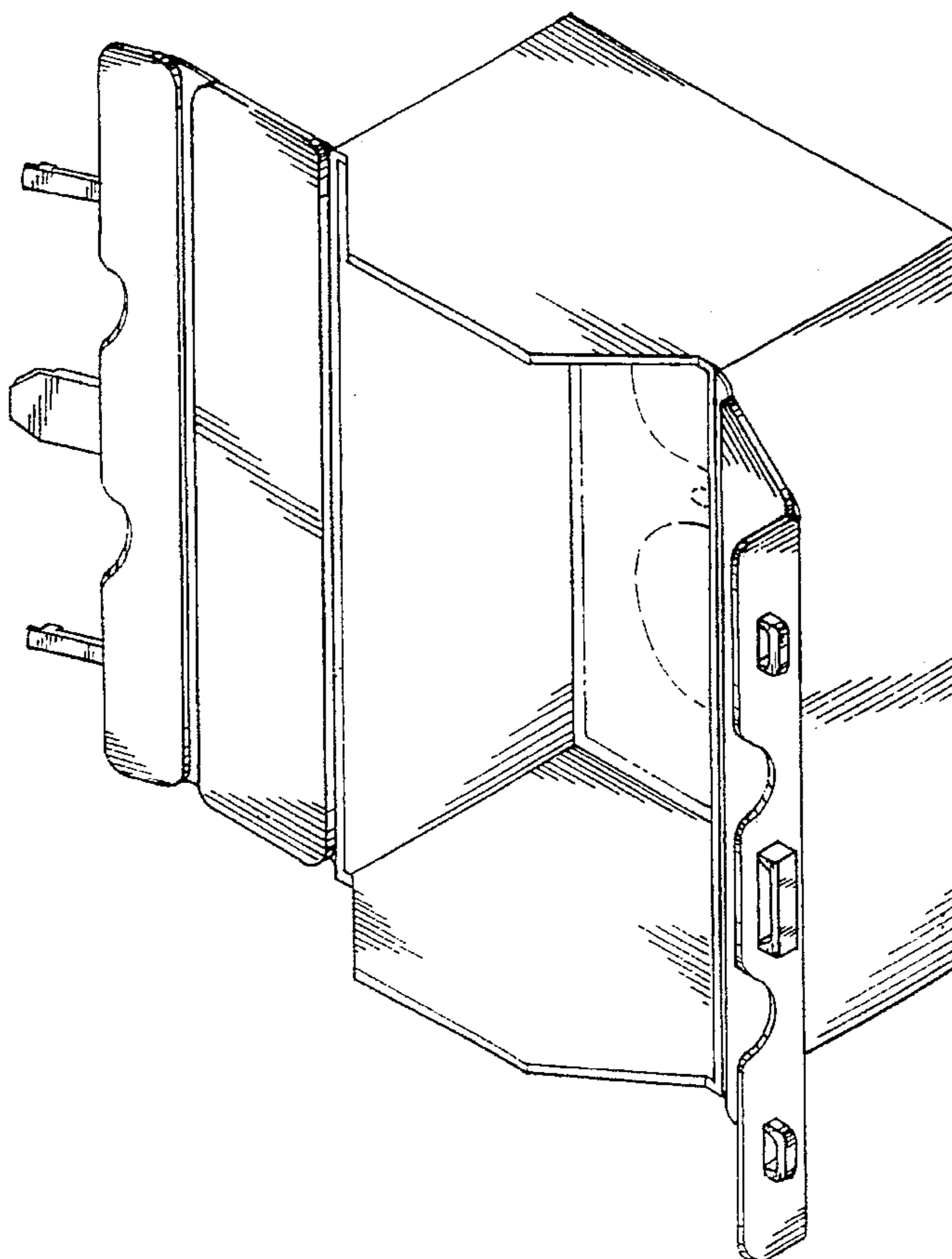
DESCRIPTION

FIG. 1 is an environmental perspective view of an open electrical outlet protector showing my new design; FIG. 2 is an environmental perspective view of a closed electrical outlet protector thereof; FIG. 3 is a front elevational view thereof; FIG. 4 is a left side elevational view thereof; FIG. 5 is a right side elevation view thereof; and, FIG. 6 is a top view, the bottom view being a mirror image thereof.

The undisclosed rear is plain and unornamented.

The broken line showing of an electrical receptacle in FIG. 1 is for illustrative purposes only and forms no part of the claimed design.

1 Claim, 4 Drawing Sheets



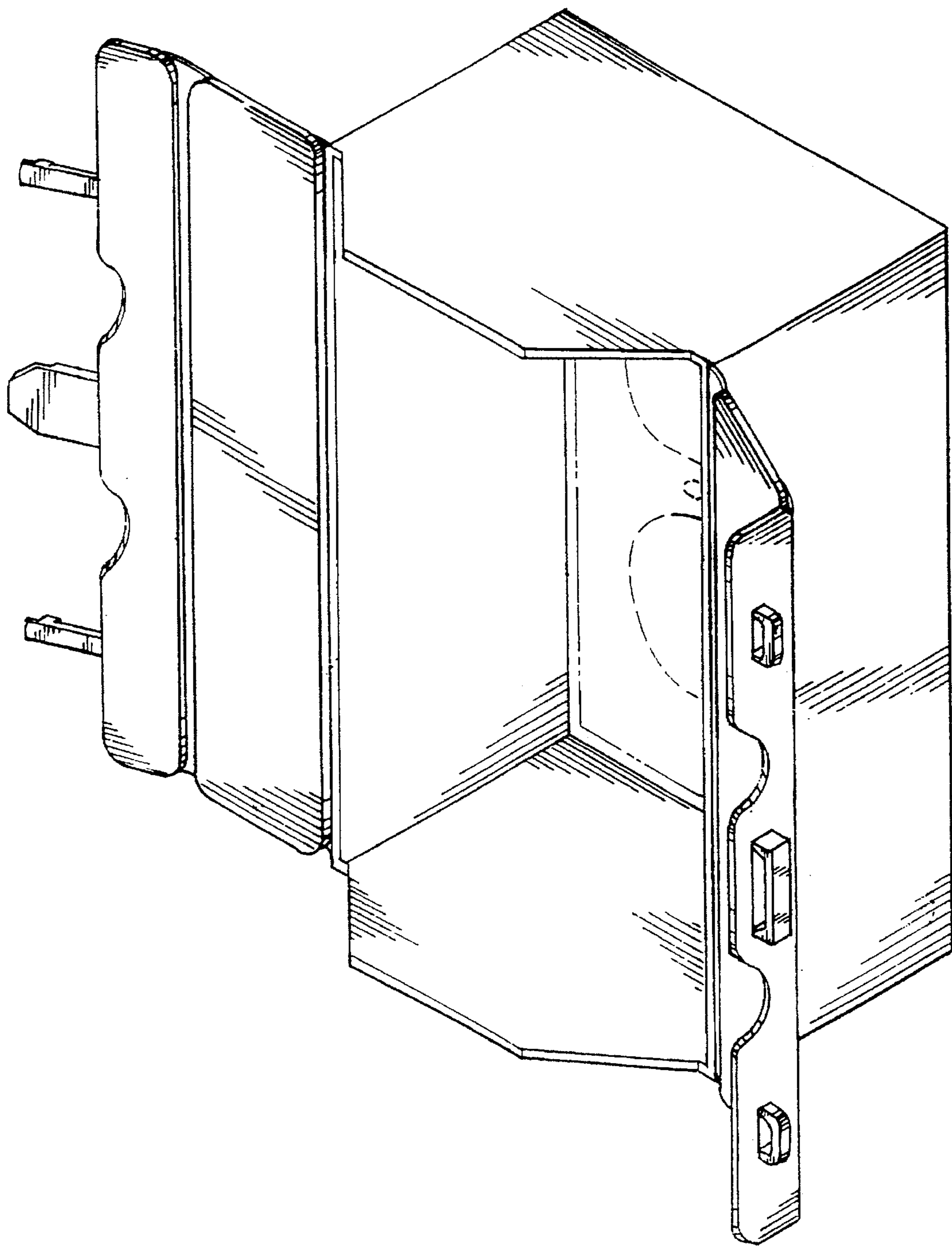


FIG. 1

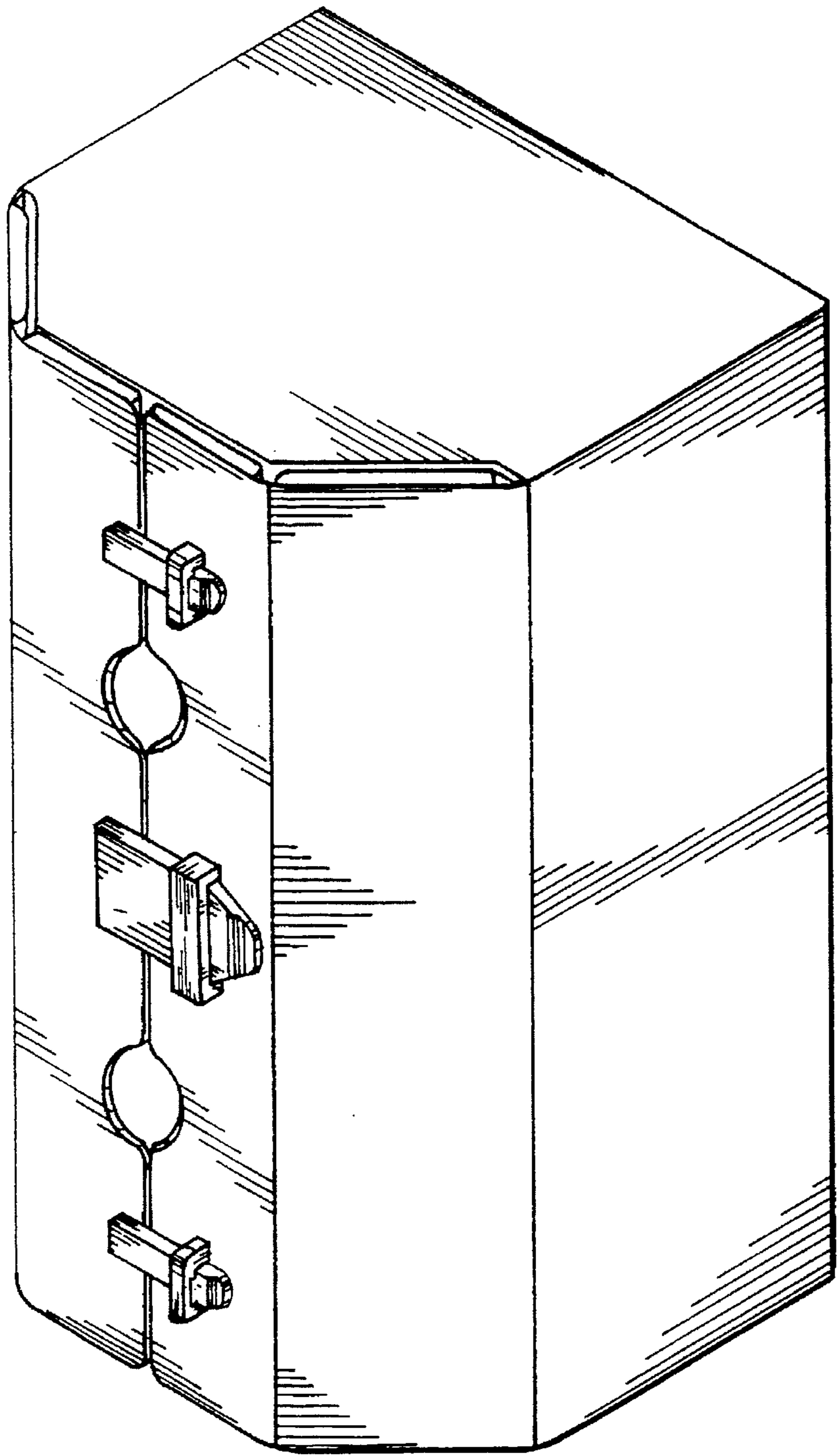


FIG. 2

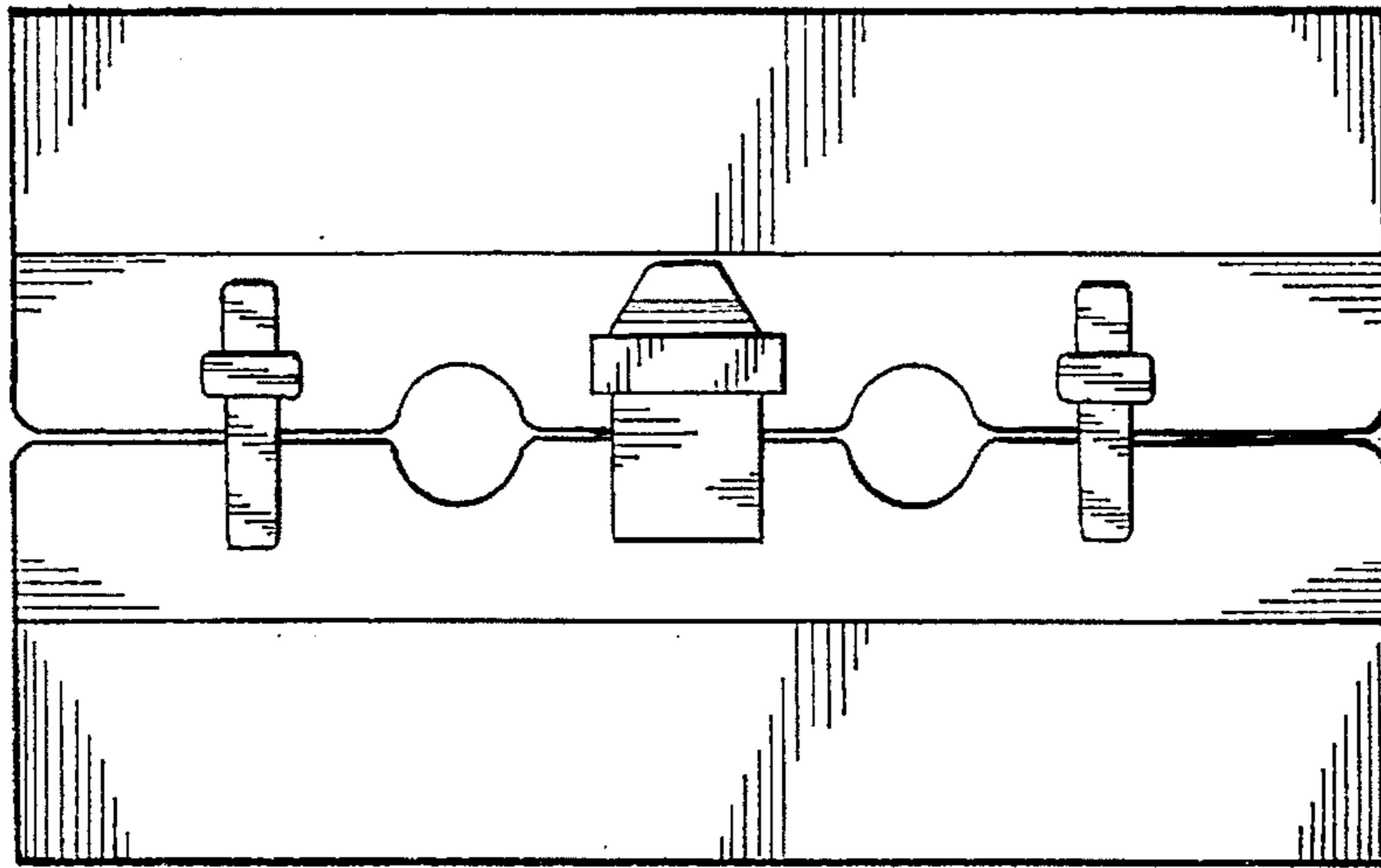


FIG. 3

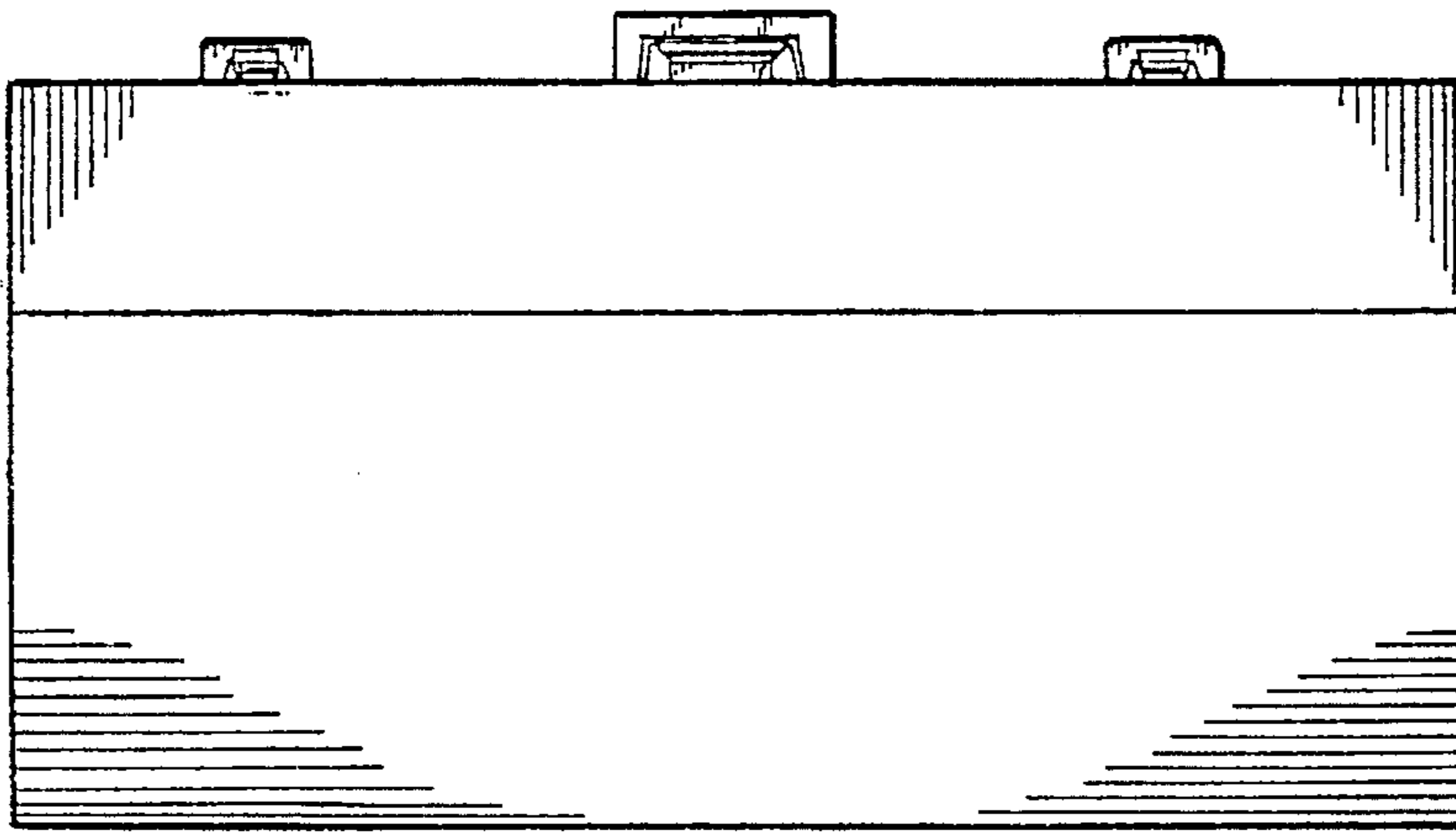


FIG. 4

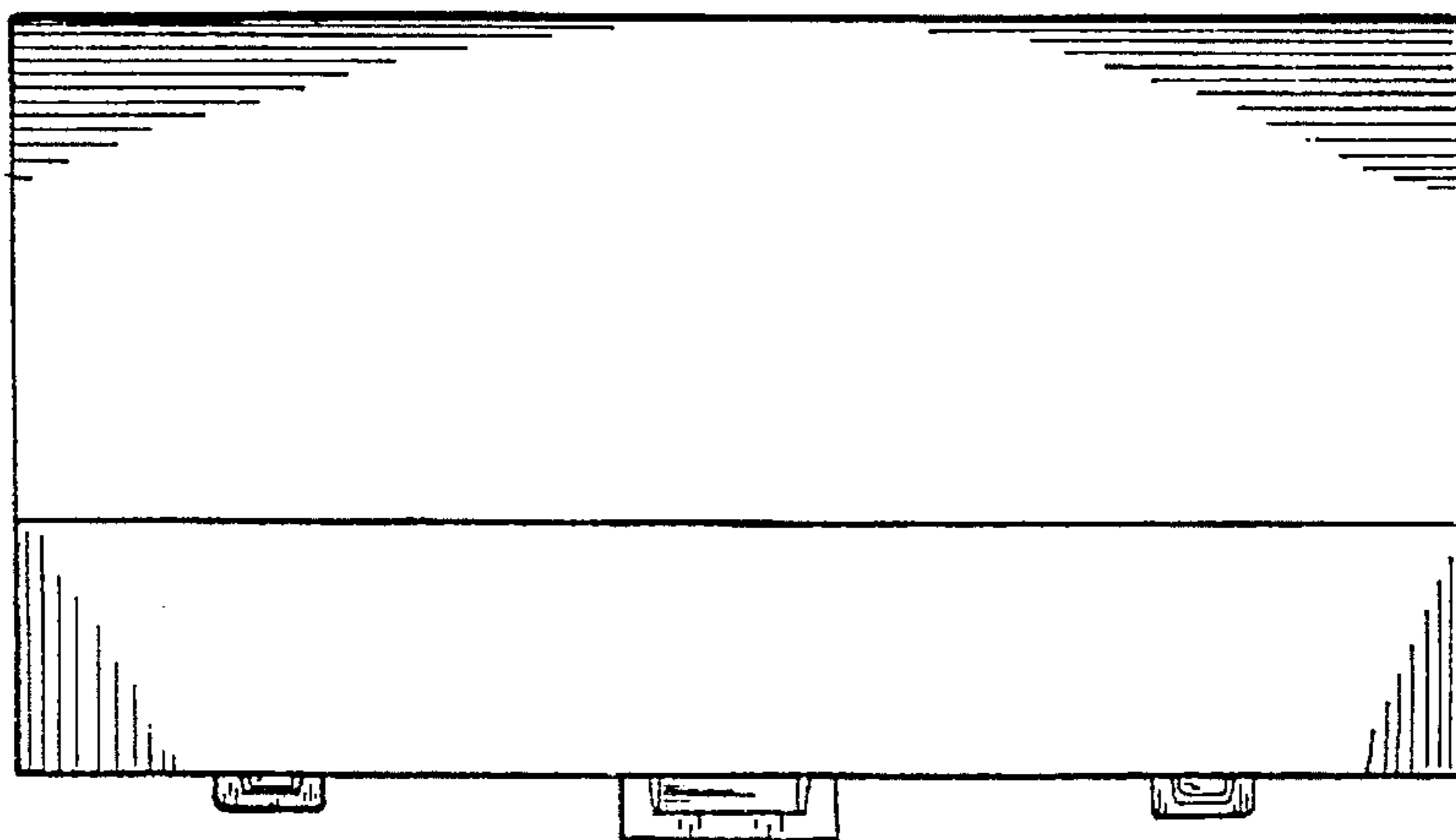


FIG. 5

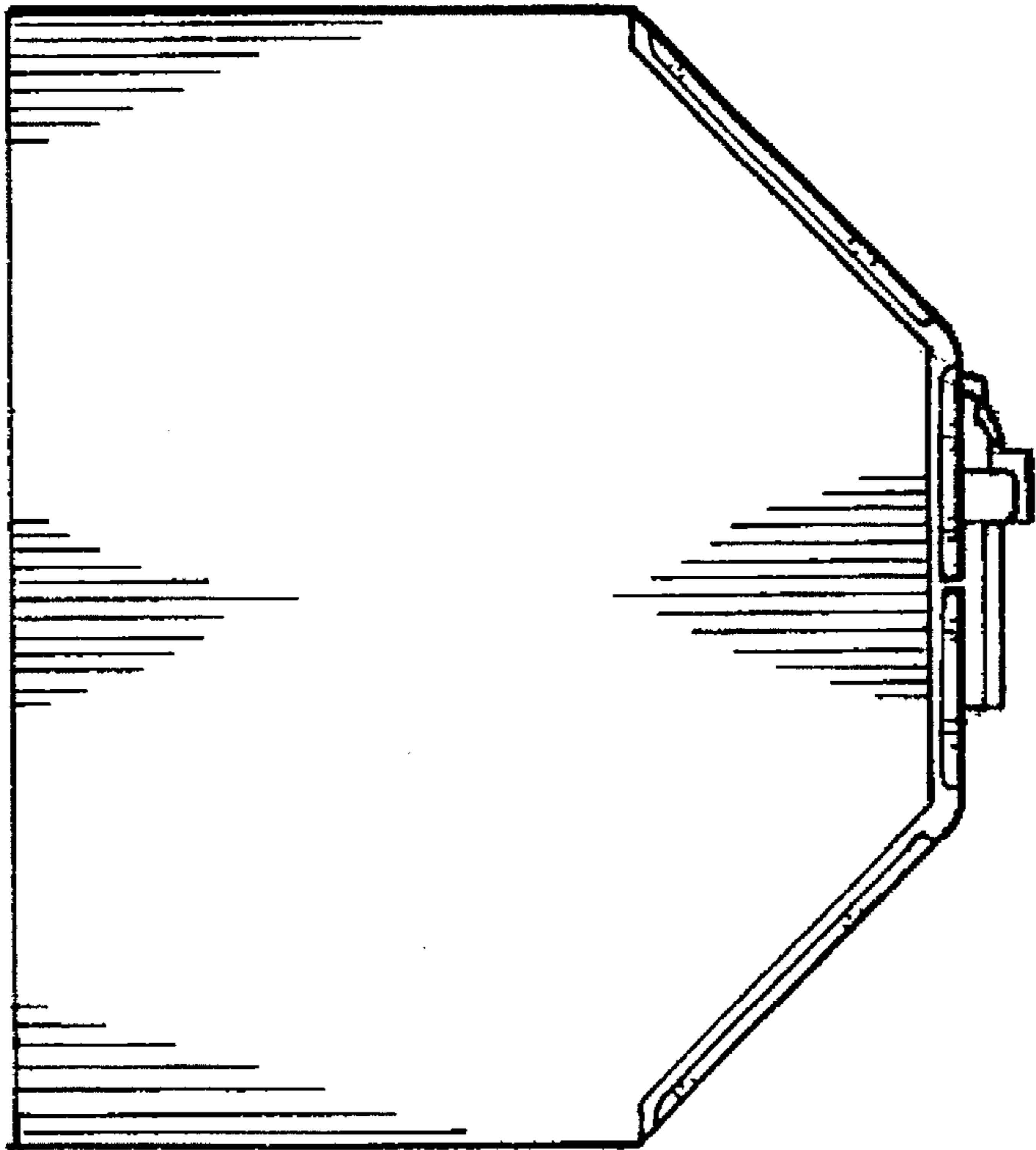


FIG. 6