



US00D381623S

United States Patent [19]

Sugino et al.

[11] Patent Number: Des. 381,623

[45] Date of Patent: **Jul. 29, 1997

[54] CONVERTER

[75] Inventors: Kenichi Sugino; Tomoyoshi Tanaka,
both of Kyoto, Japan

[73] Assignee: Nintendo Co., Ltd., Japan

[**] Term: 14 Years

[21] Appl. No.: 43,153

[22] Filed: Aug. 28, 1995

[30] Foreign Application Priority Data

Mar. 3, 1995 [JP] Japan 7-9034

[51] LOC (6) Cl. 13-02

[52] U.S. Cl. D13/110

[58] Field of Search D13/110; 307/150;
363/15, 34, 140, 144, 141, 146; 361/622,
709, 714, 717, 722, 724-727

[56] References Cited

U.S. PATENT DOCUMENTS

D. 337,984 8/1993 Lindahl D13/103

Primary Examiner—Antoine Duval Davis
Attorney, Agent, or Firm—Nixon & Vanderhye P.C.

[57] CLAIM

The ornamental design for a “converter”, as shown and described.

DESCRIPTION

FIG. 1 is a right front perspective view of the converter in accordance with my new design;
FIG. 2 is a rear elevation view thereof;
FIG. 3 is a top plan view thereof;
FIG. 4 is a right side elevation view of the converter as viewed in FIG. 3;
FIG. 5 is a bottom plan view thereof;
FIG. 6 is a front elevation view thereof;
FIG. 7 is a rear elevation view of the converter shown in FIG. 1 but with the top half of the converter rotated 180° to an open position;
FIG. 8 is a top plan view of the converter in an open position;
FIG. 9 is a right side elevation view of the converter as shown in FIG. 8;
FIG. 10 is a bottom plan view of the converter in an open position; and,
FIG. 11 is a front elevation of the converter in an open position.

1 Claim, 7 Drawing Sheets

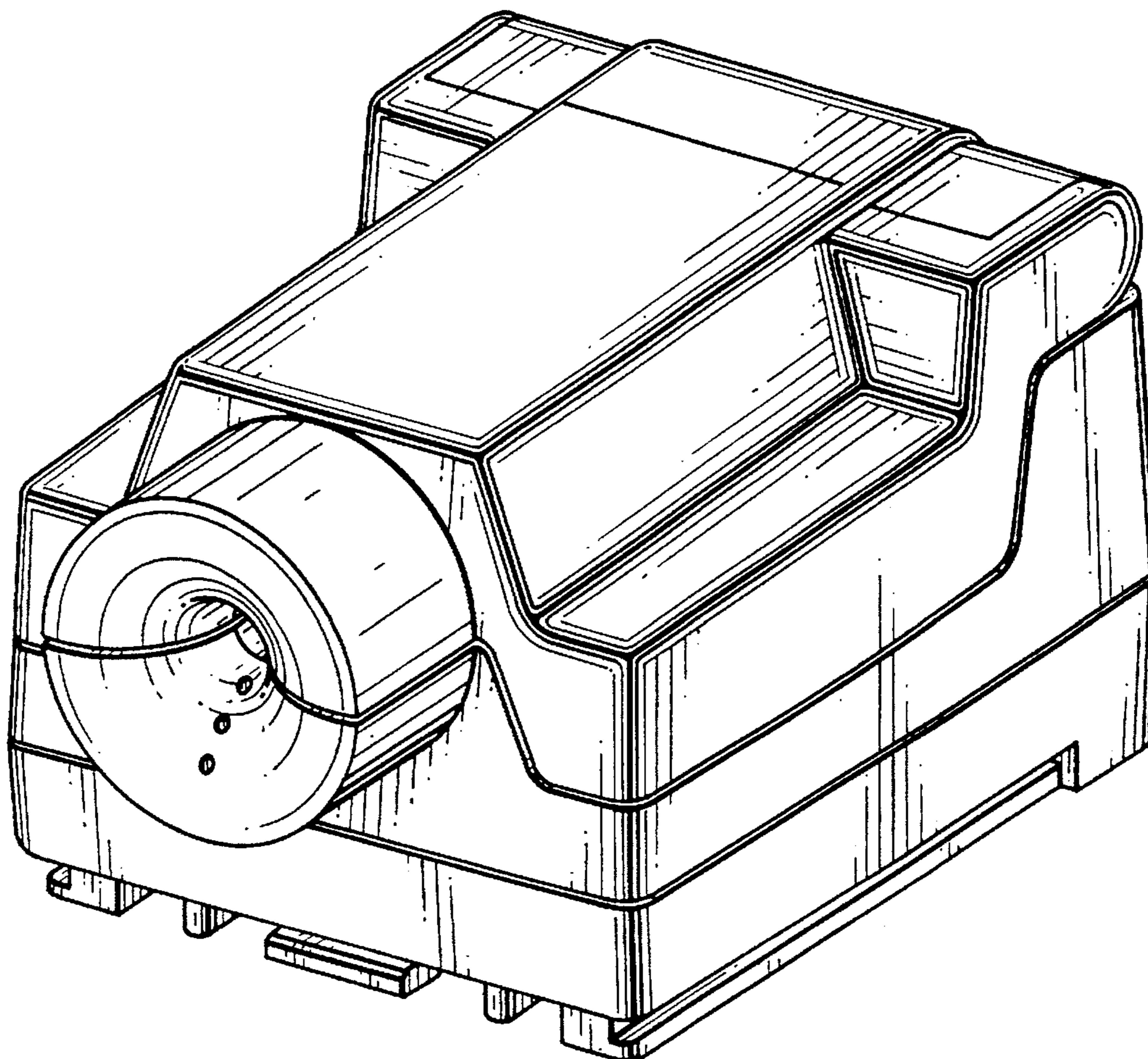


FIG. 1

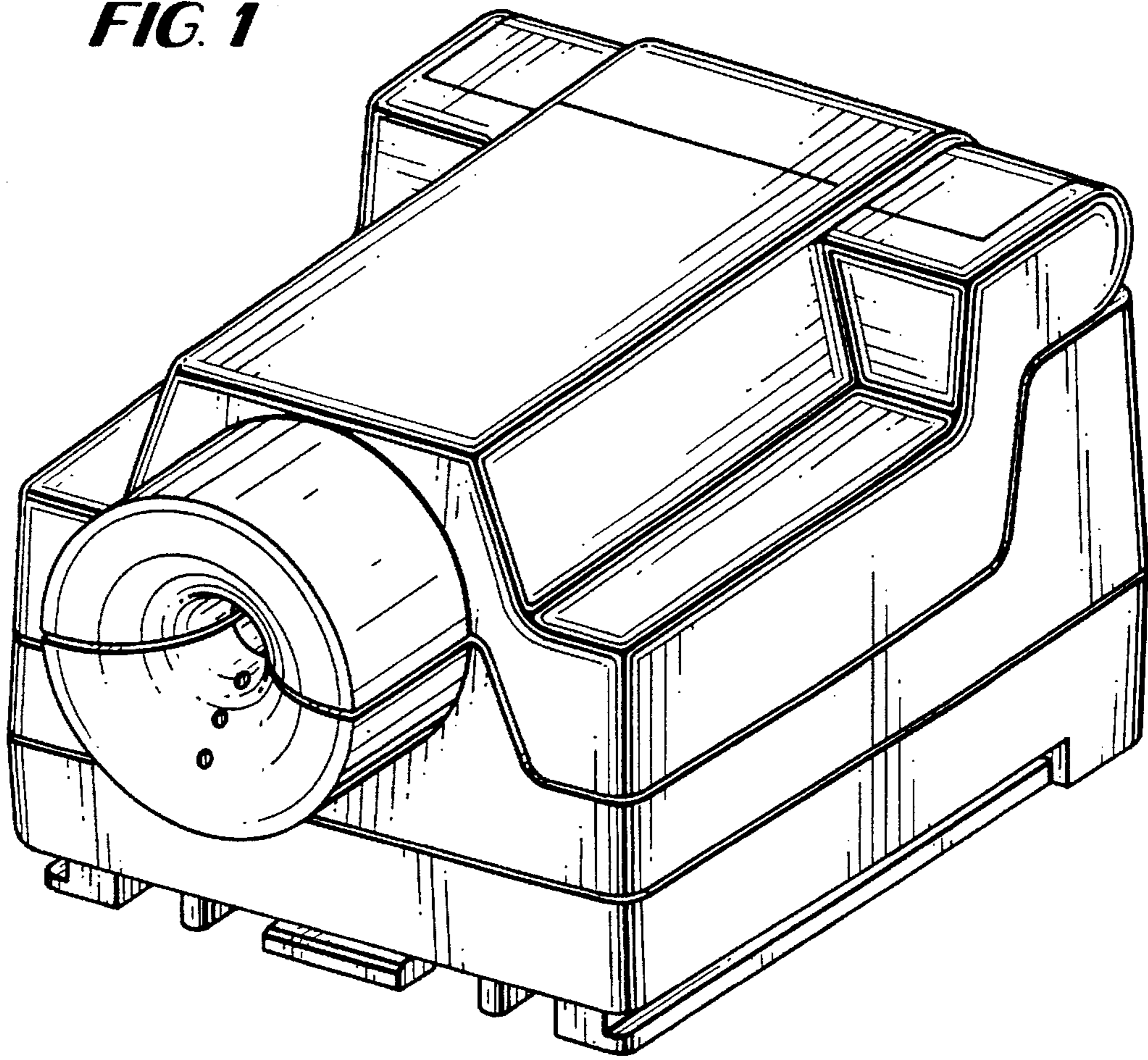


FIG. 6

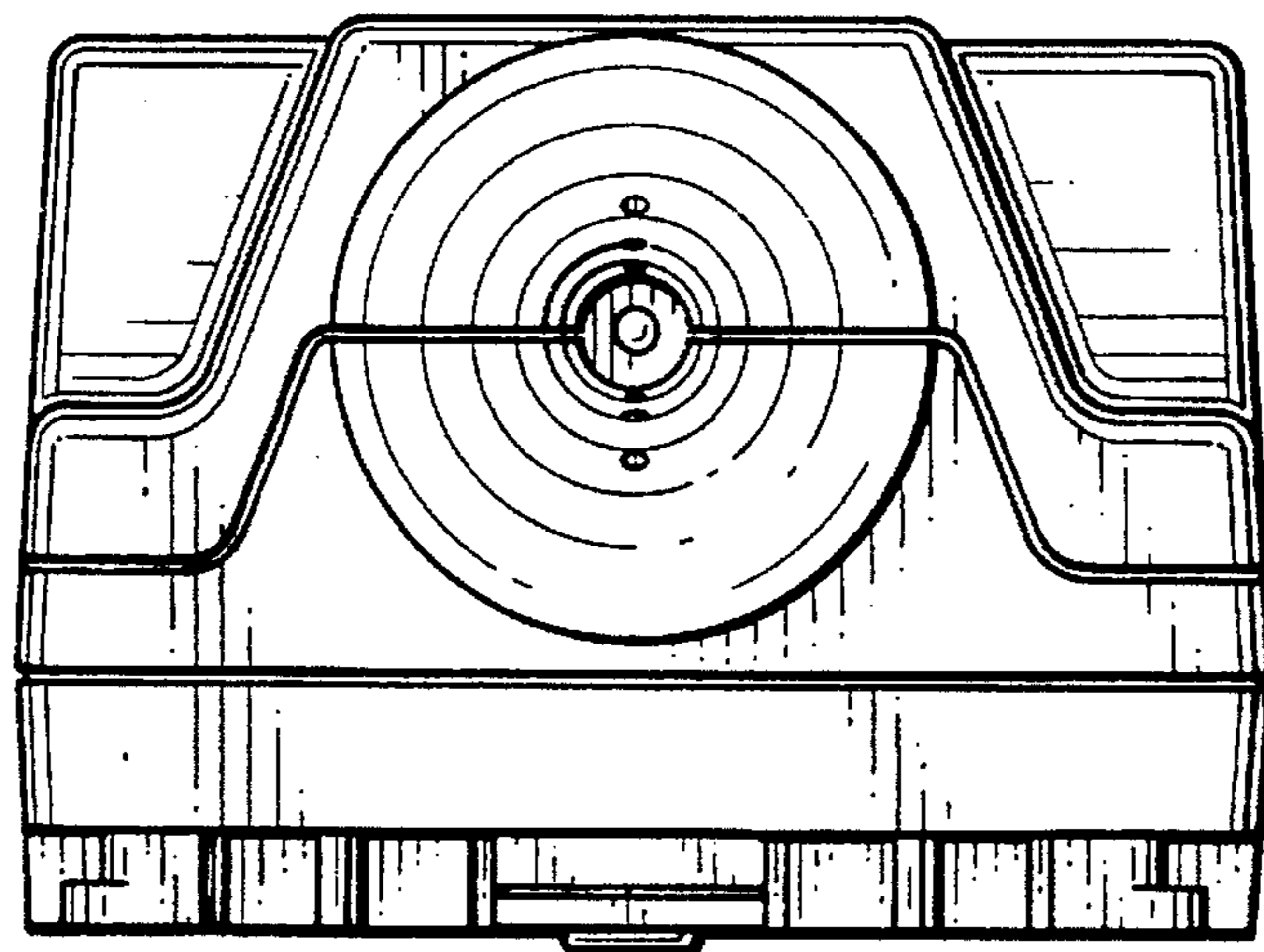


FIG. 2

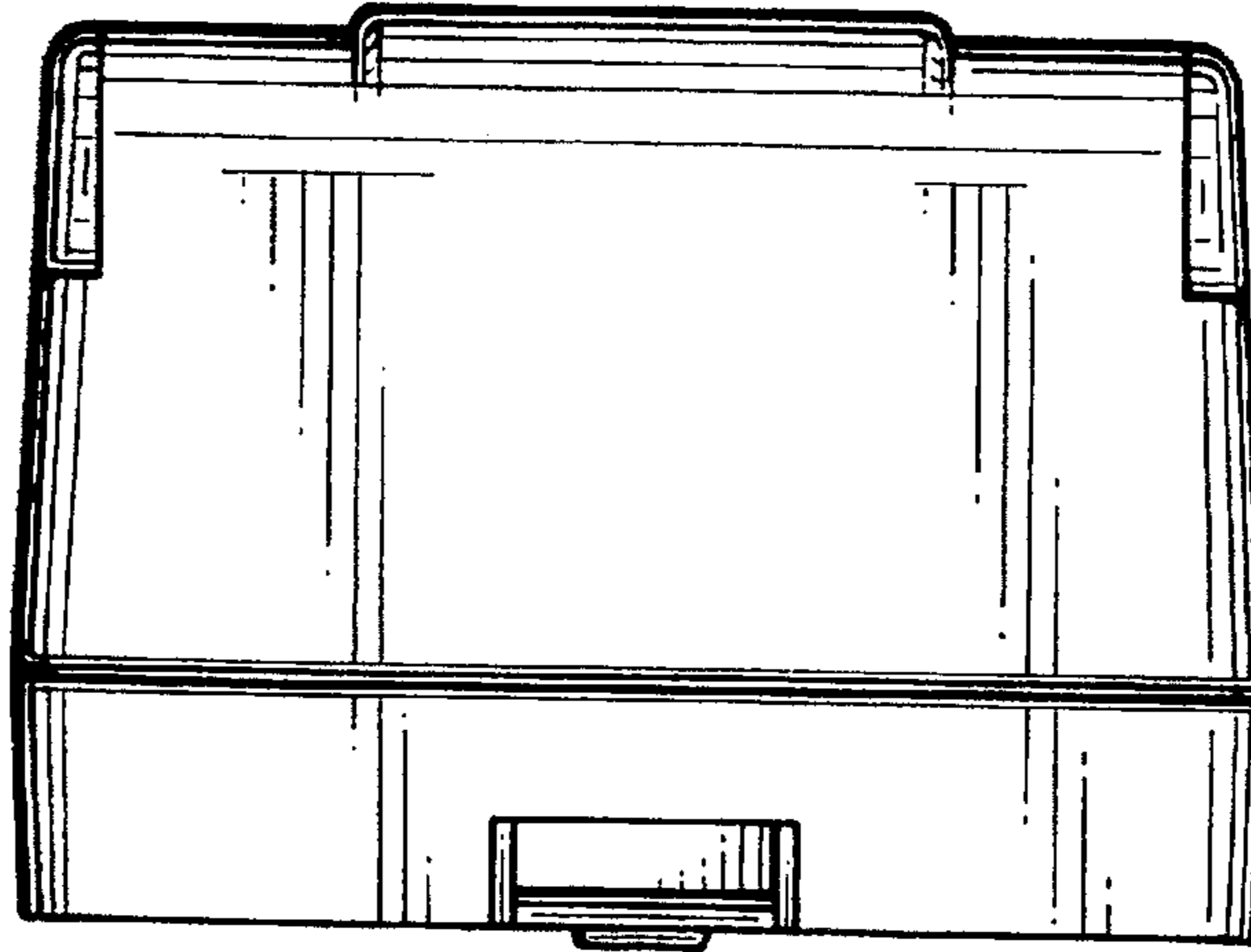


FIG. 3

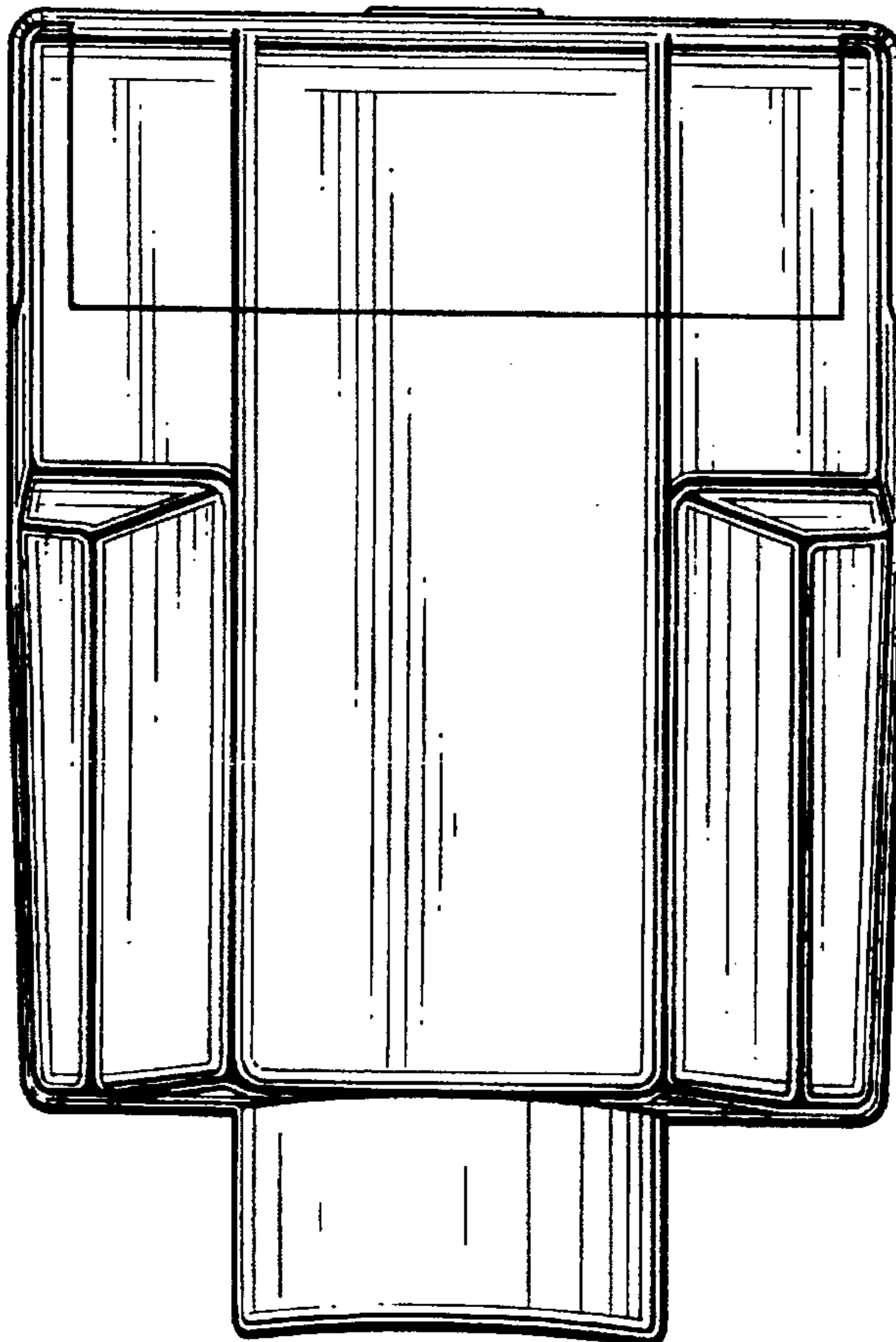


FIG. 5

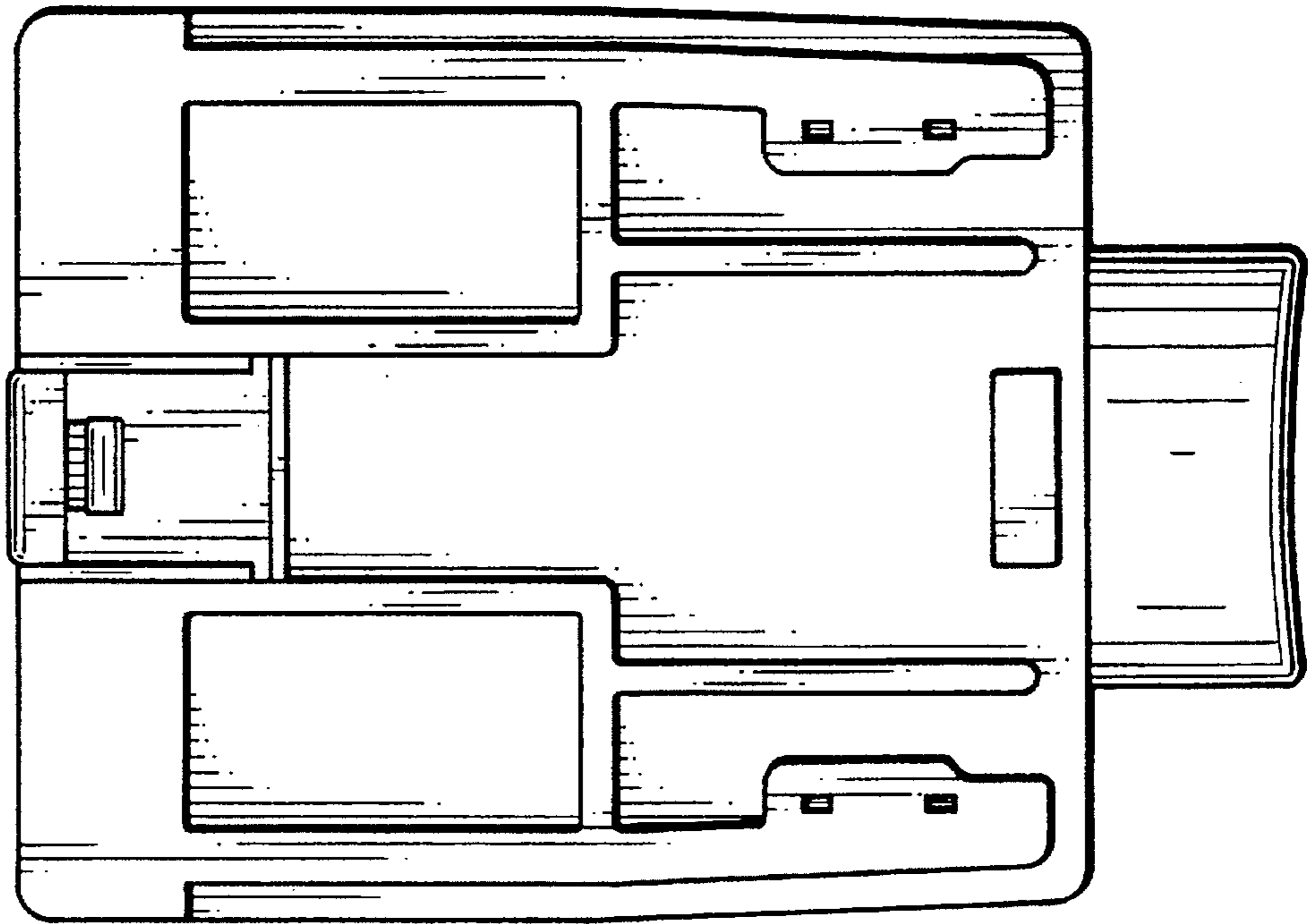


FIG. 4

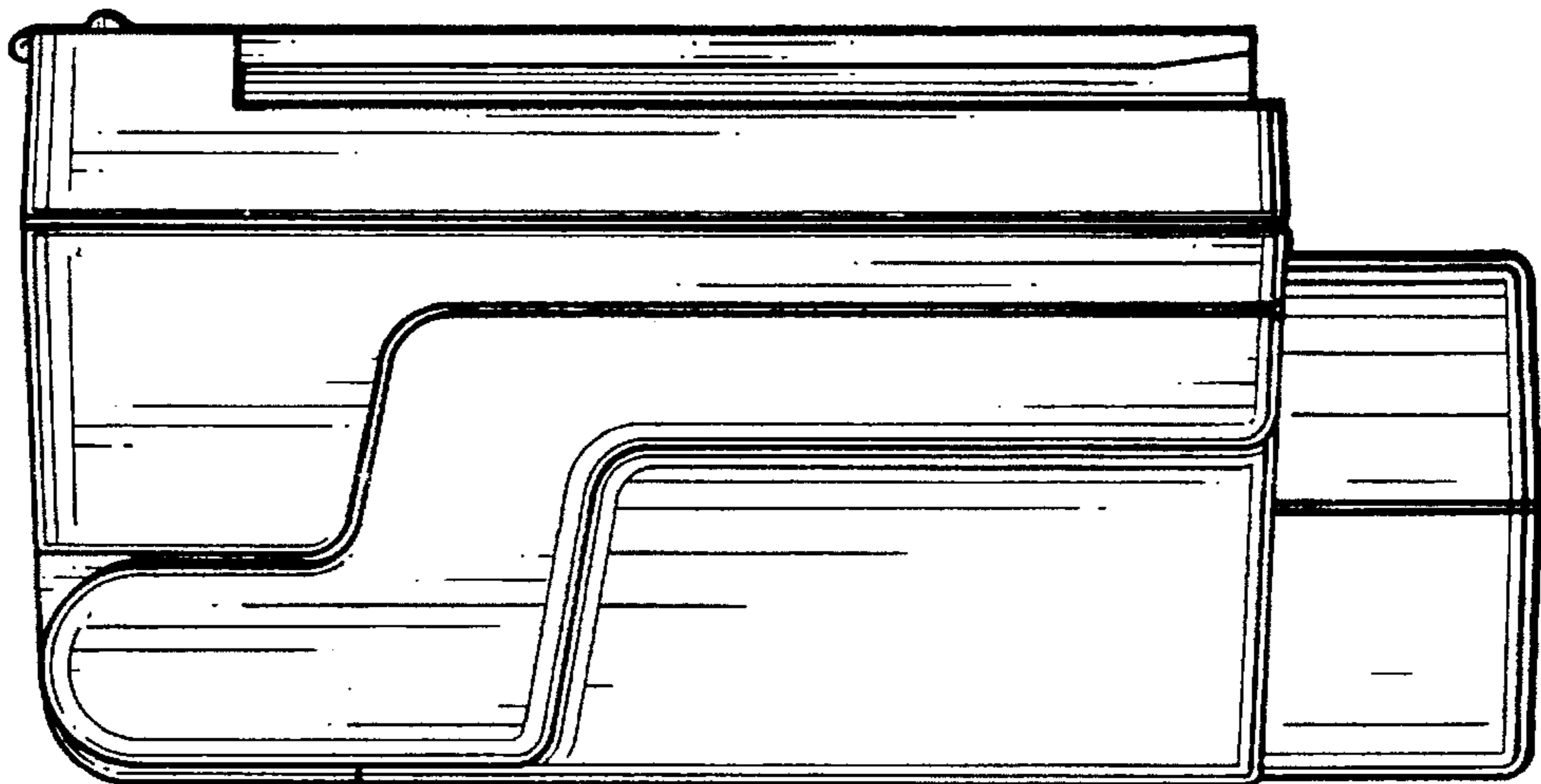


FIG. 7

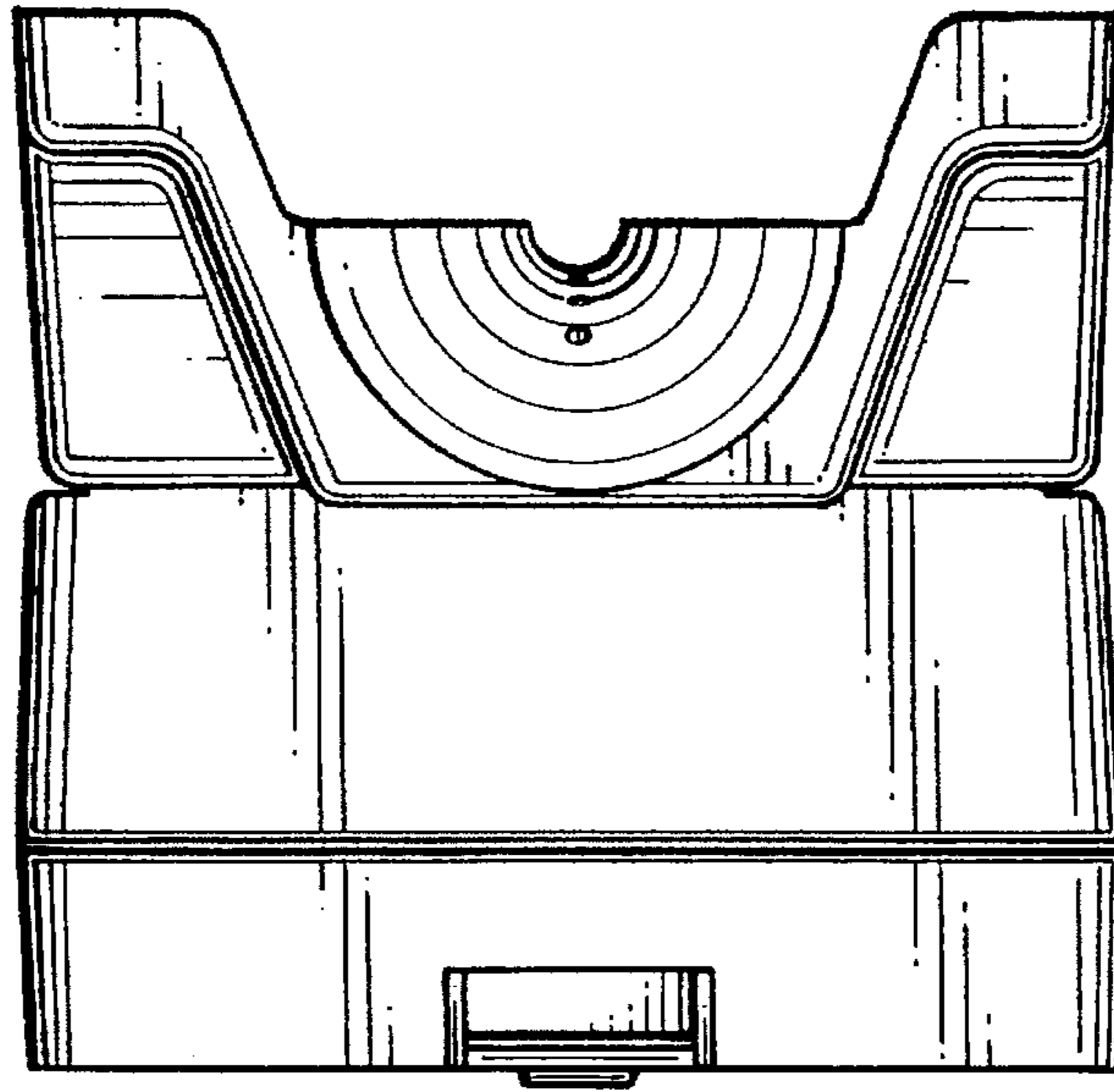


FIG. 11

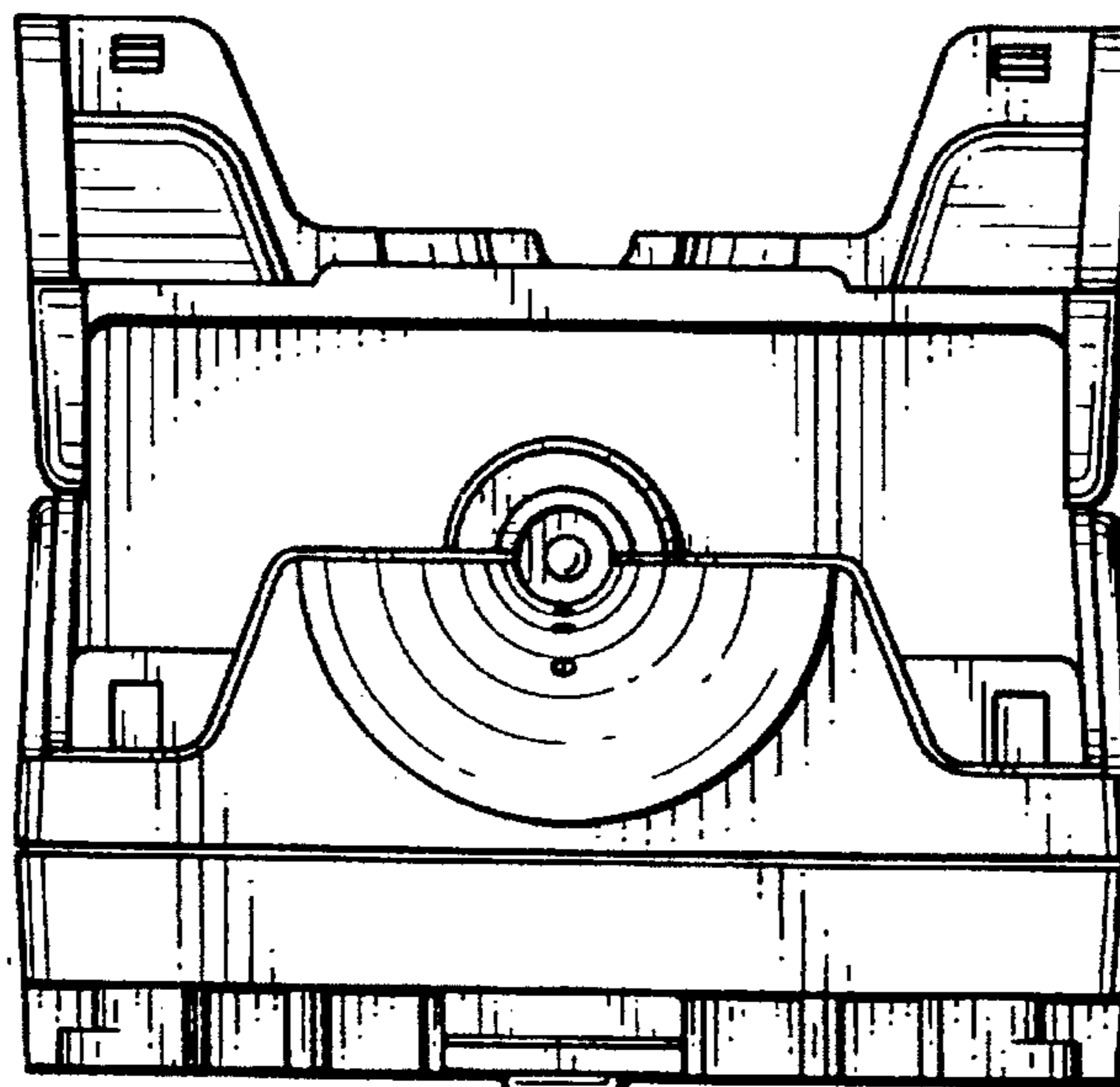
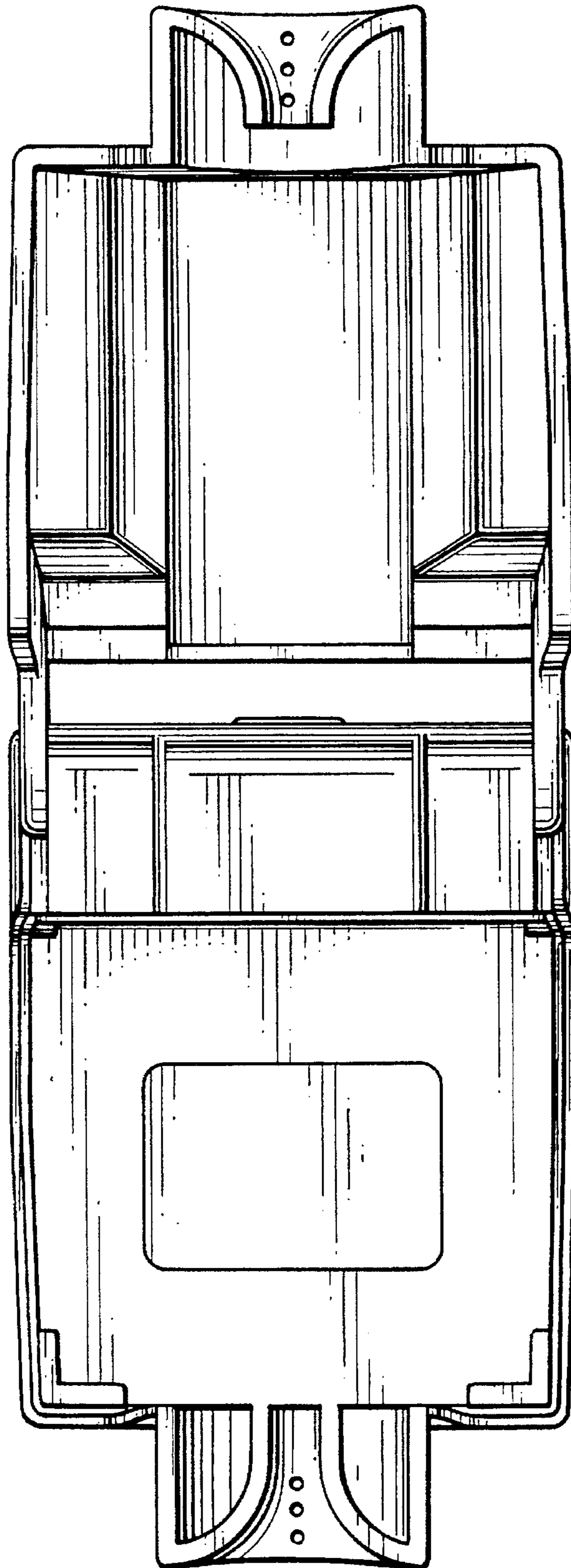


FIG. 8



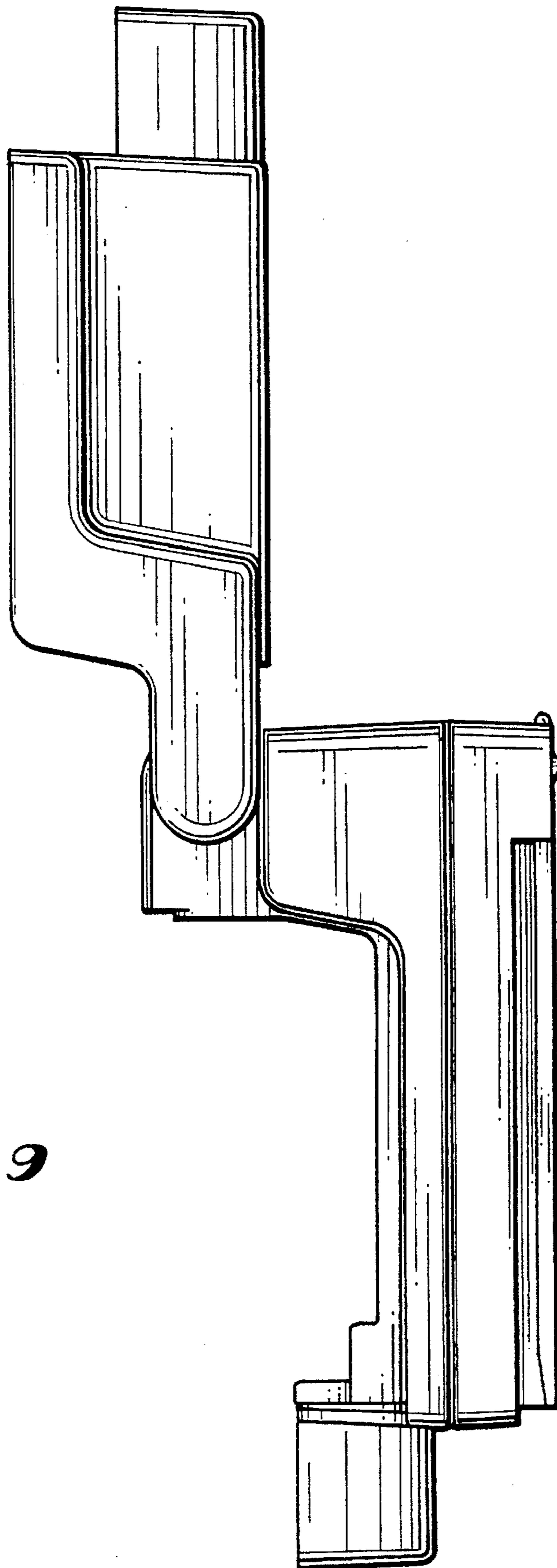


FIG. 9

FIG. 10

