



US00D381602S

United States Patent [19] Edwards

[11] Patent Number: **Des. 381,602**

[45] Date of Patent: ****Jul. 29, 1997**

[54] **PLANT WATERER**

[76] Inventor: **Terry Edwards**, Rte. 2 Box 32-C,
Amarillo, Tex. 79101

[**] Term: **14 Years**

[21] Appl. No.: **17,962**

[22] Filed: **Jan. 27, 1994**

[51] LOC (6) Cl. **11-02**

[52] U.S. Cl. **D11/164; D23/213; D23/200**

[58] Field of Search D7/509, 523, 547,
D7/590, 591; D9/452, 453, 454, 455, 456,
417, 431, 433; D11/143, 145, 146, 148,
152, 153, 154, 155, 156, 164; 47/41.14,
41.11, 41.12, 41.13, 41.15, 66 A, 66 B,
66 C, 66 D, 66 I, 66 MD, 69 T, 79, 80,
81, 67, 68, 69, 70, 71, 72, 73, 74, 75, 76,
77, 78; 362/161, 162, 163; 431/288, 289,
291; 187/862; 251/144

[56] **References Cited**

U.S. PATENT DOCUMENTS

| | | | | |
|-----------|---------|--------------|-------|-----------|
| 857,626 | 6/1907 | Horton | | 251/144 X |
| 1,453,401 | 5/1923 | Mattson | | 137/862 |
| 1,566,015 | 12/1925 | Johnson | | 220/506 X |
| 4,270,696 | 6/1981 | Pointer, Jr. | | 239/38 |

| | | | | |
|-----------|--------|--------------|-------|--------|
| 4,562,959 | 1/1986 | Pointer, Jr. | | 239/38 |
| 4,829,709 | 5/1989 | Centafanti | | 47/79 |
| 4,934,096 | 6/1990 | Bentvelsen | | 42/62 |
| 5,097,626 | 3/1992 | Mordoch | | 47/79 |

FOREIGN PATENT DOCUMENTS

239887 11/1945 Switzerland 47/79

Primary Examiner—Louis S. Zarfes

Assistant Examiner—Monica A. Hannon

[57] CLAIM

The ornamental design for a plant waterer, as shown and described.

DESCRIPTION

FIG. 1 is a front elevational view of the plant waterer showing my new design;

FIG. 2 is a rear elevational view thereof;

FIG. 3 is a left side elevational view thereof;

FIG. 4 is a right side elevational view thereof;

FIG. 5 is a top plan view thereof; and,

FIG. 6 is a bottom plan view thereof; and,

FIG. 7 is an isometric view thereof.

The broken lines showing increments is for illustrative purposes only and forms no part of the claimed design.

1 Claim, 4 Drawing Sheets

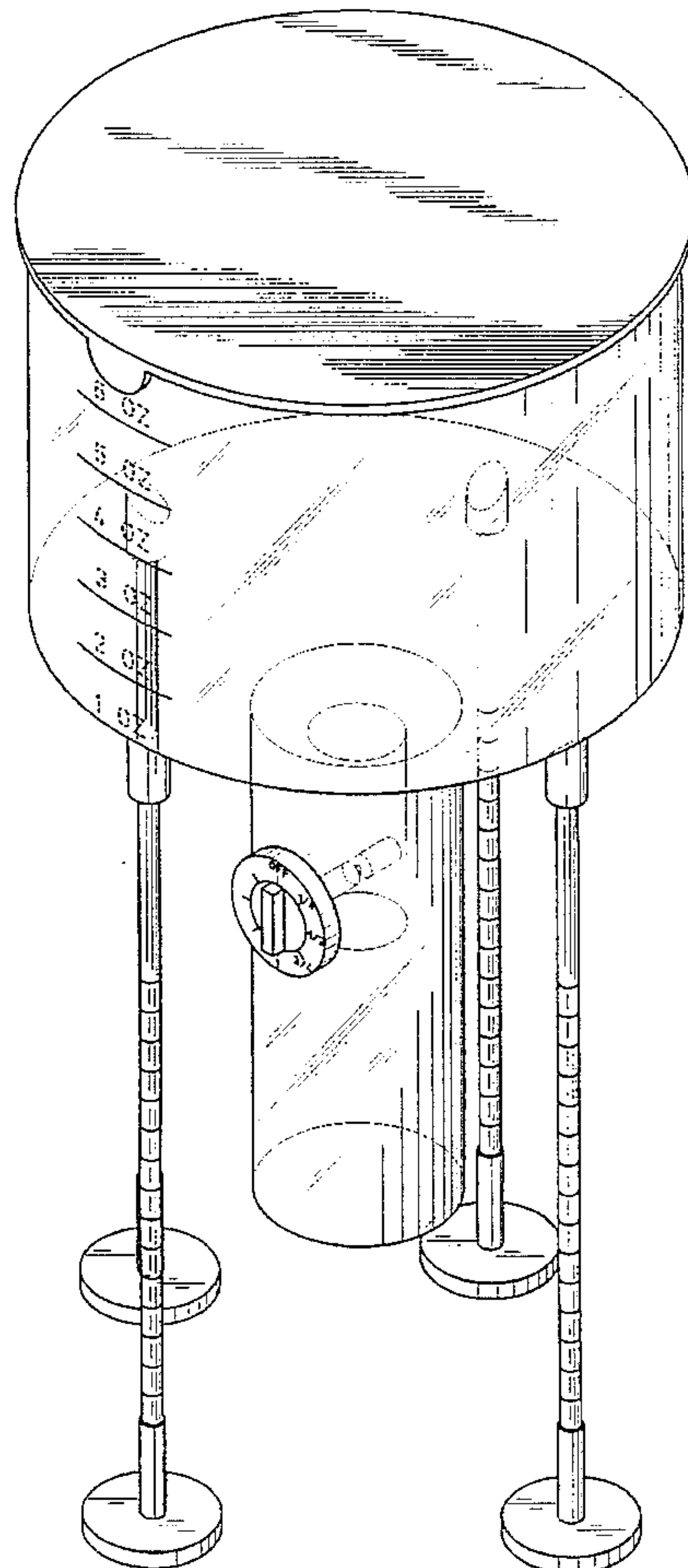


FIG. 1

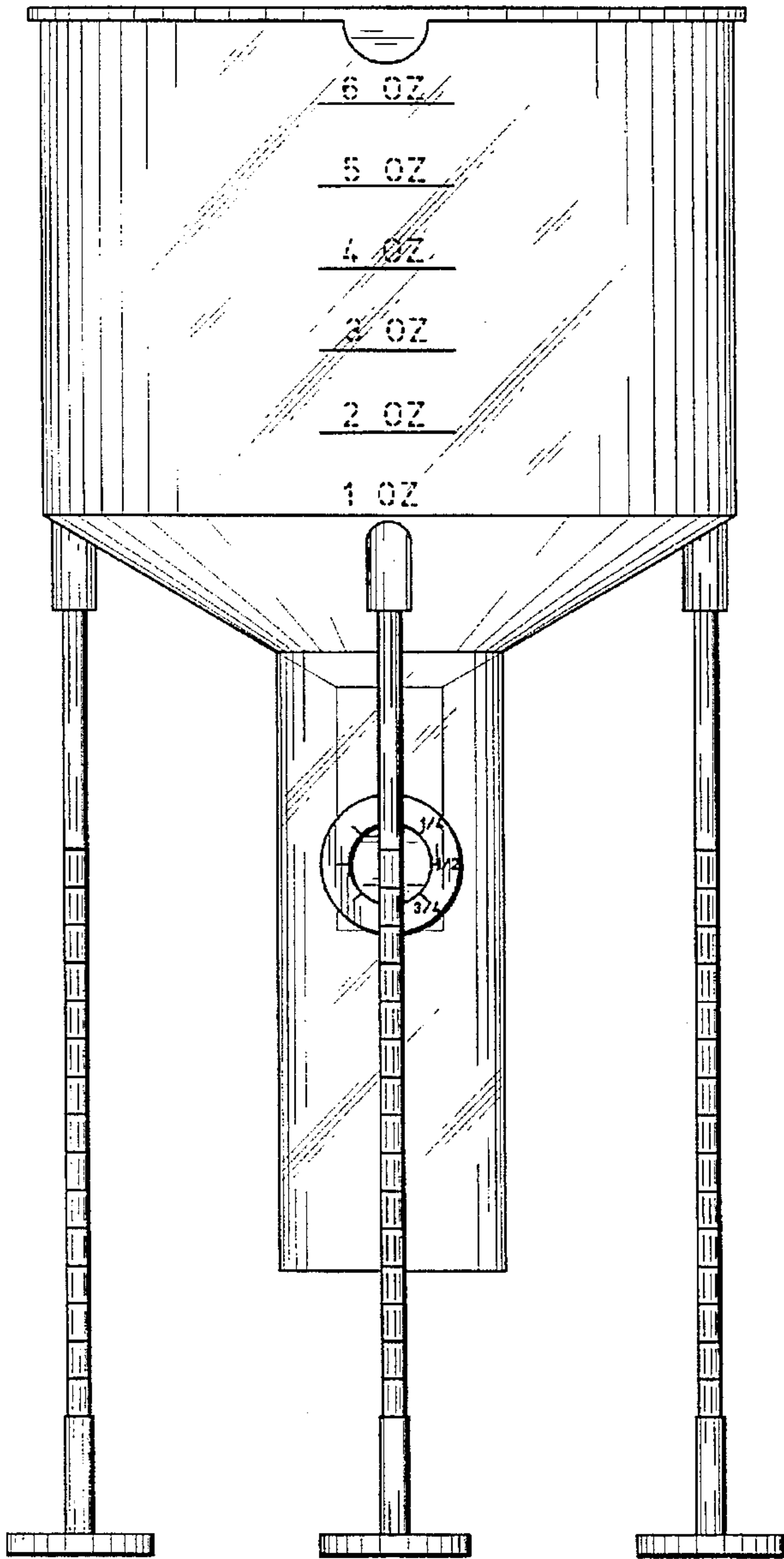


FIG. 2

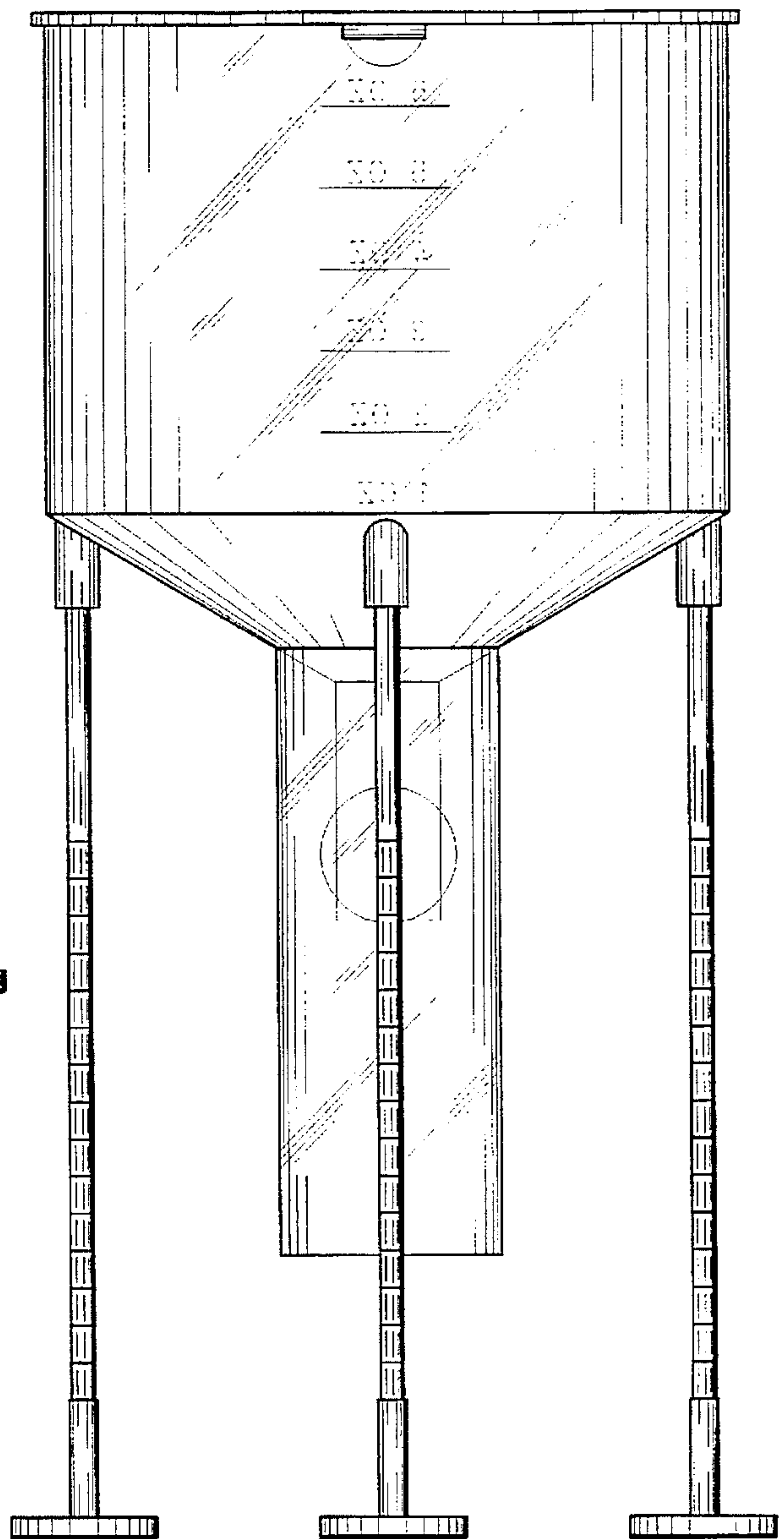


FIG. 3

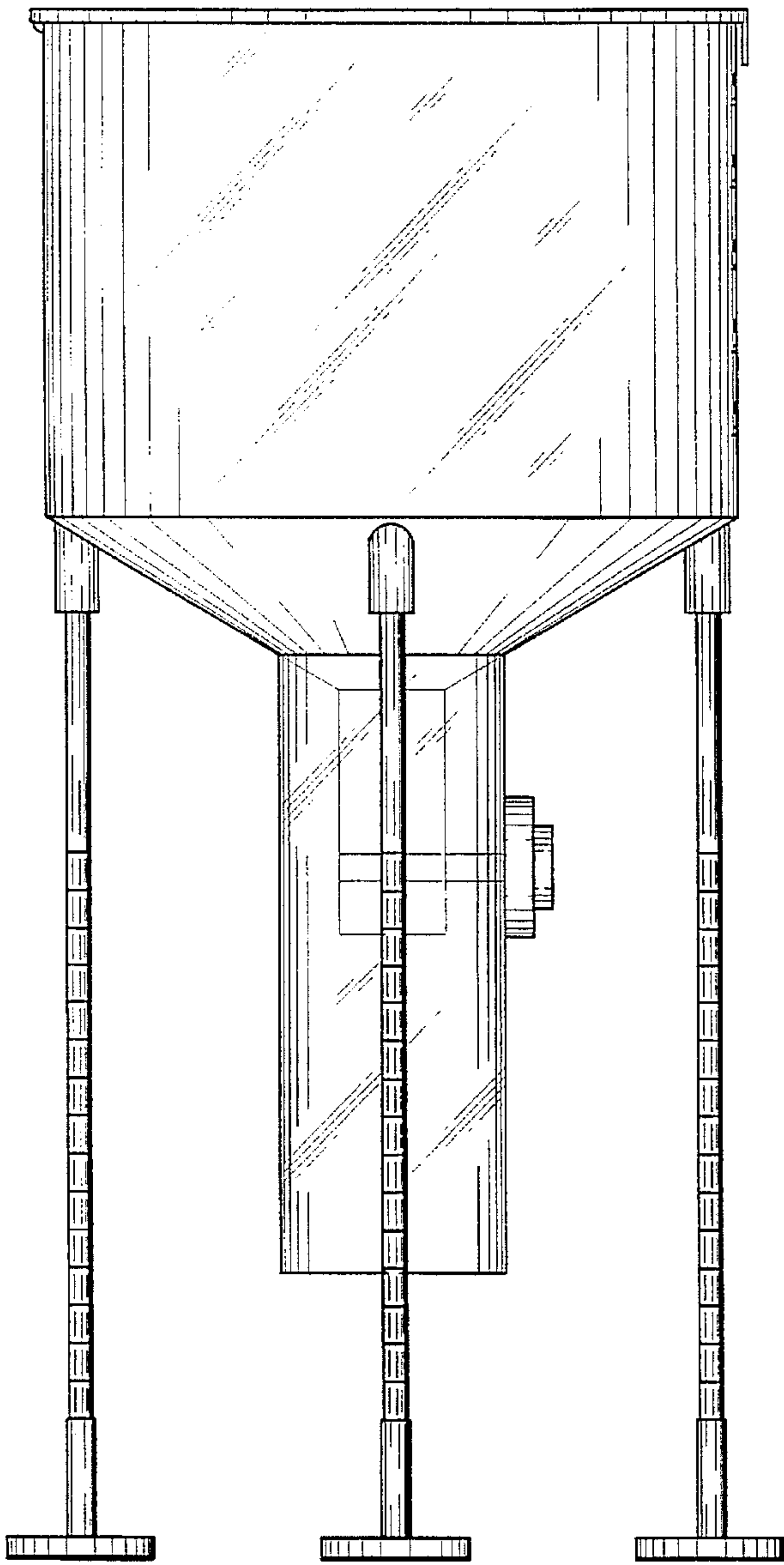


FIG. 4

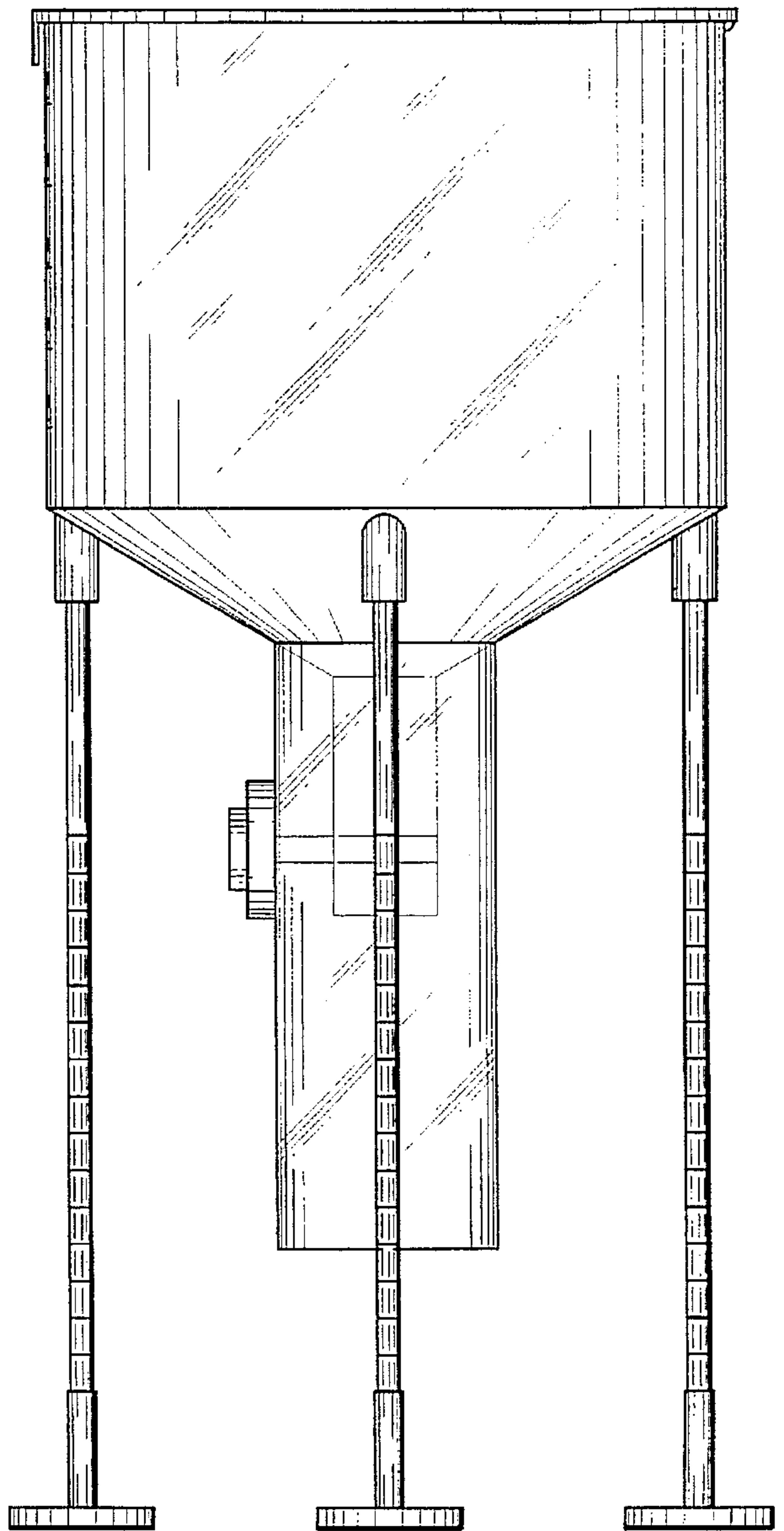


FIG. 5

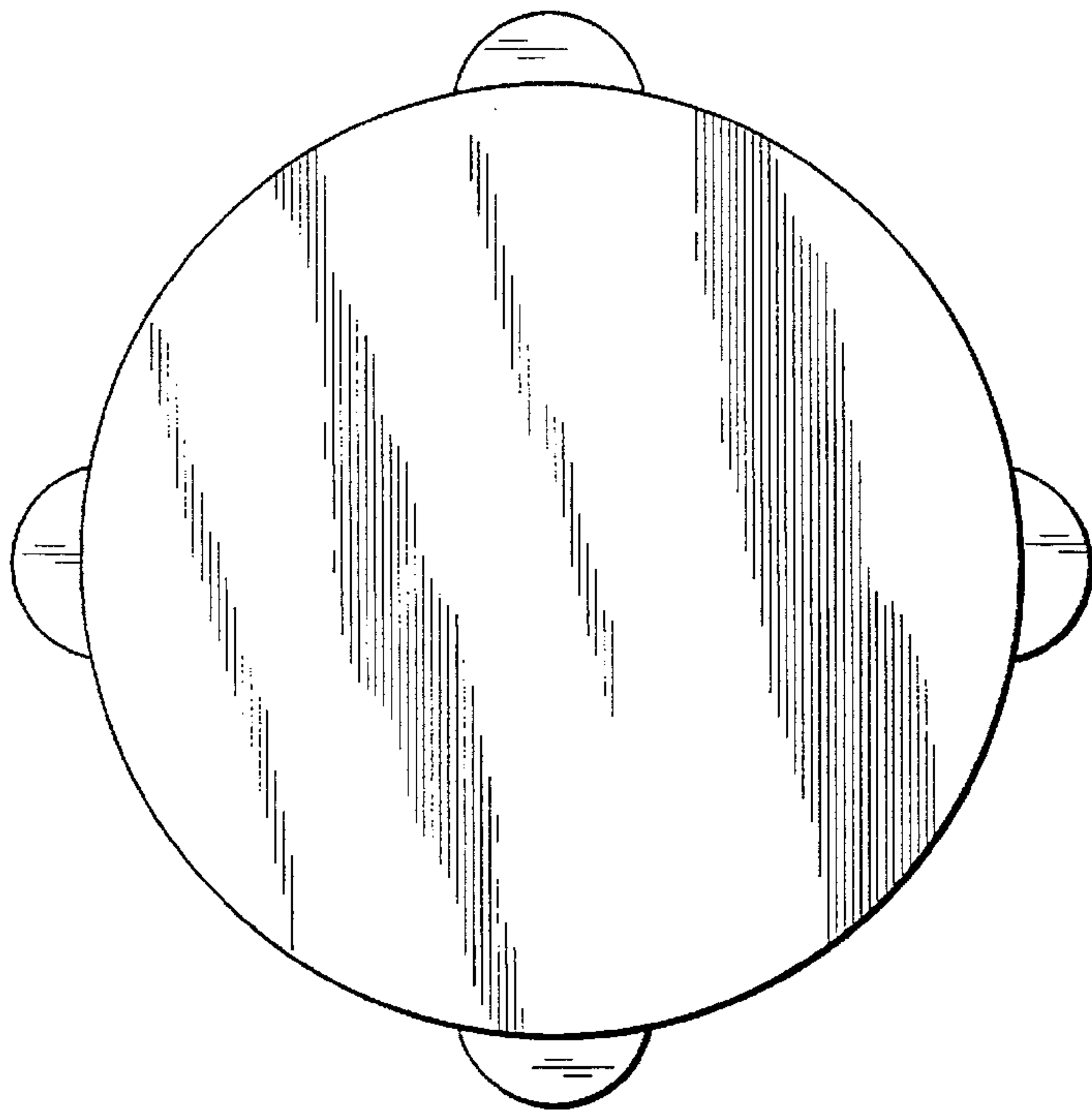


FIG. 6

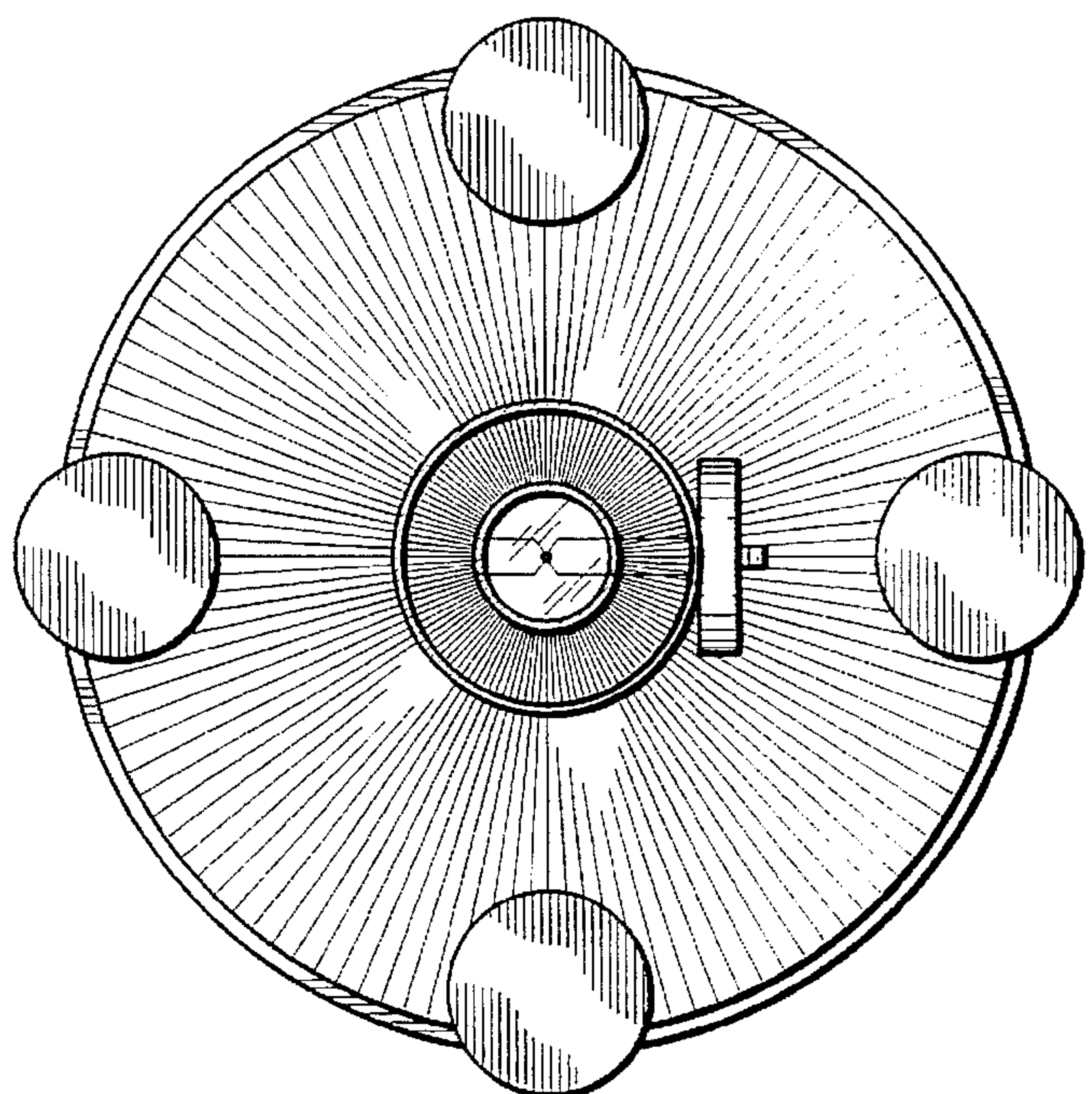


FIG. 7

