



US00D381598S

United States Patent [19]

Roberts et al.

[11] Patent Number: Des. 381,598

[45] Date of Patent: **Jul. 29, 1997

[54] CHRISTMAS TREE STAND

[76] Inventors: **John M. Roberts; James L. Pellegrini,**
both of P.O. Box 324, Buchanan, Mich.
49107

[**] Term: **14 Years**

[21] Appl. No.: **11,307**

[22] Filed: **Jul. 30, 1993**

[51] LOC (6) Cl. **06-99**

[52] U.S. Cl. **D11/130.1**

[58] Field of Search D11/130.1; 47/40.5;
248/519, 527

[56] References Cited

U.S. PATENT DOCUMENTS

D. 178,974	10/1956	Schuly	D11/130.1
D. 232,791	9/1974	Schuly	D11/130.1
649,785	5/1900	Weinert .	
1,915,466	6/1933	Lilly .	
2,628,049	2/1953	Hansson .	
2,746,700	5/1956	Barbera .	
2,812,916	11/1957	Jonasson et al. .	
2,893,668	7/1959	Applegate .	
2,933,274	4/1960	Mausolf .	
2,997,264	8/1961	Zelenitz .	
3,142,464	7/1964	Zelenitz .	
3,231,227	1/1966	Weining .	
3,298,642	1/1967	Taylor .	
4,076,205	2/1978	Almér et al. .	
4,156,323	5/1979	Scheffler .	
4,408,415	10/1983	Davis et al. .	
4,541,601	9/1985	Corbisello .	
4,571,882	2/1986	Capen .	
4,913,395	4/1990	Juhas .	
5,178,352	1/1993	Johnson .	

FOREIGN PATENT DOCUMENTS

11227 of 1891 United Kingdom .

OTHER PUBLICATIONS

Tree Stand advertisement, #87-623322, Hold Everything, p. 38.

Heavyweight Tree Stand advertisement #47860W.

Best Christmas Tree Stand advertisement, #55210W.

The sturdiest Christmas Tree Stand with extra large water pot, #D182149 EasiTree Stand, advertisement, p. 36.

Exclusive! Heavy Cast Iron Tree Stand Is A Decoration By Itself, #60174 Snowflake Tree Stand, advertisement.

Primary Examiner—Dominic Simone

Attorney, Agent, or Firm—Barnes & Thornburg

[57] CLAIM

The ornamental design for a Christmas tree stand, as shown and described in FIGS. 1-6.

DESCRIPTION

FIG. 1 is a perspective view of a Christmas tree stand showing our new design;

FIG. 2 is a front elevational view of the Christmas tree stand shown in FIG. 1;

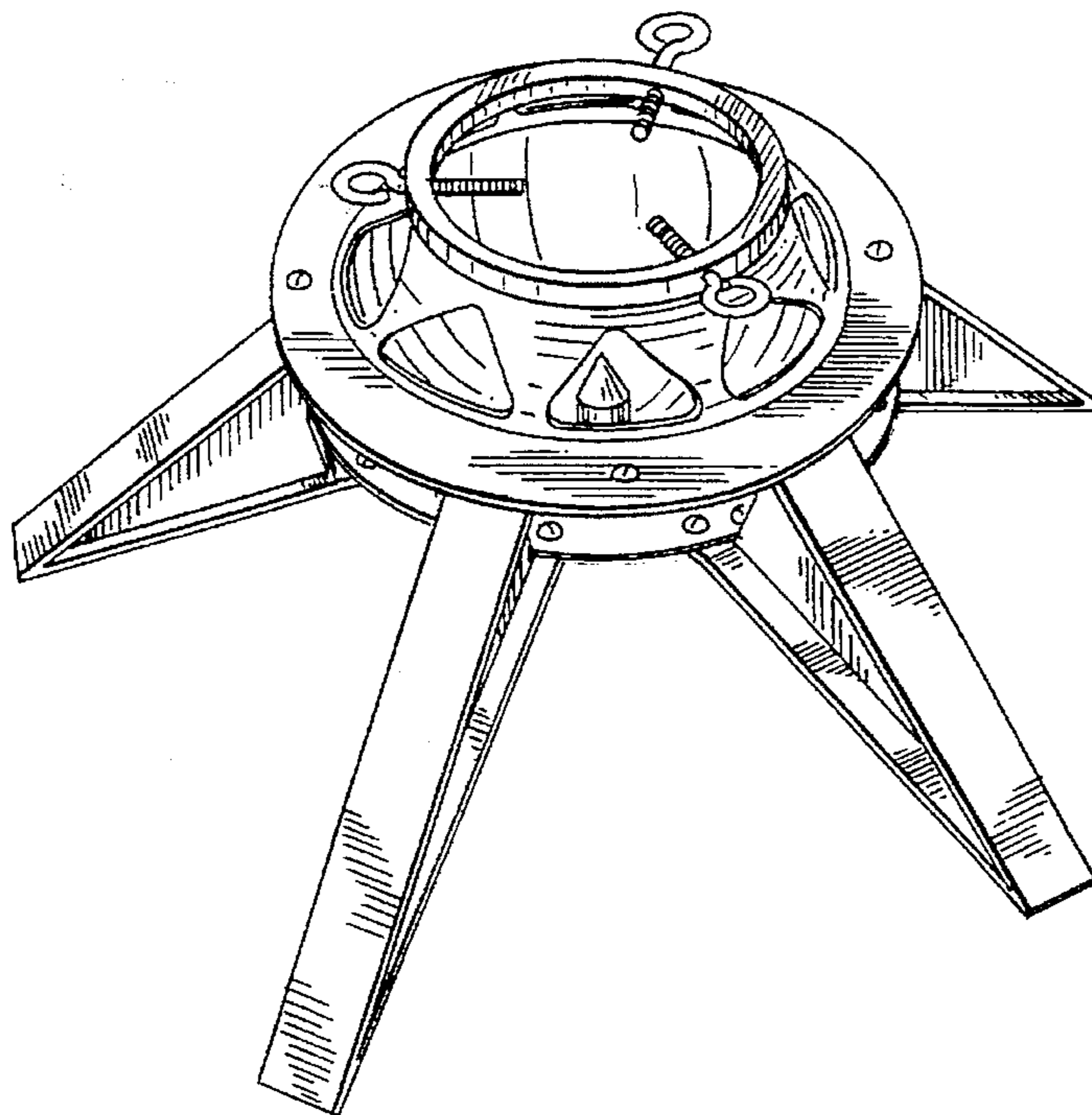
FIG. 3 is a top view of the Christmas tree stand shown in FIG. 1;

FIG. 4 is a rear elevational view of the Christmas tree stand shown in FIG. 1;

FIG. 5 is a left side elevational view of the Christmas tree stand shown in FIG. 1, with the right side being a mirror image thereof; and,

FIG. 6 is a bottom view of the Christmas tree stand shown in FIG. 1.

1 Claim, 2 Drawing Sheets



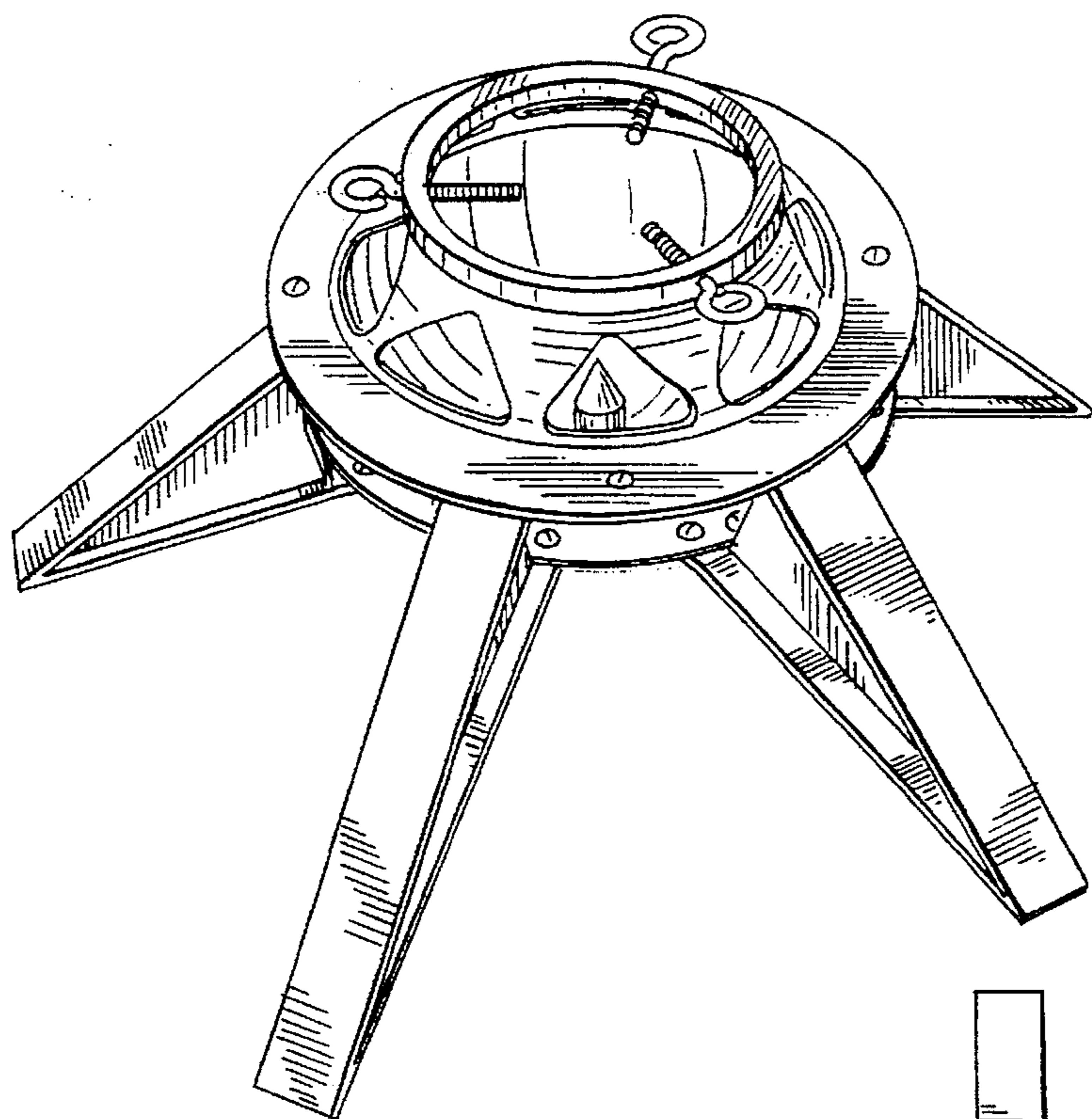


FIG. 1

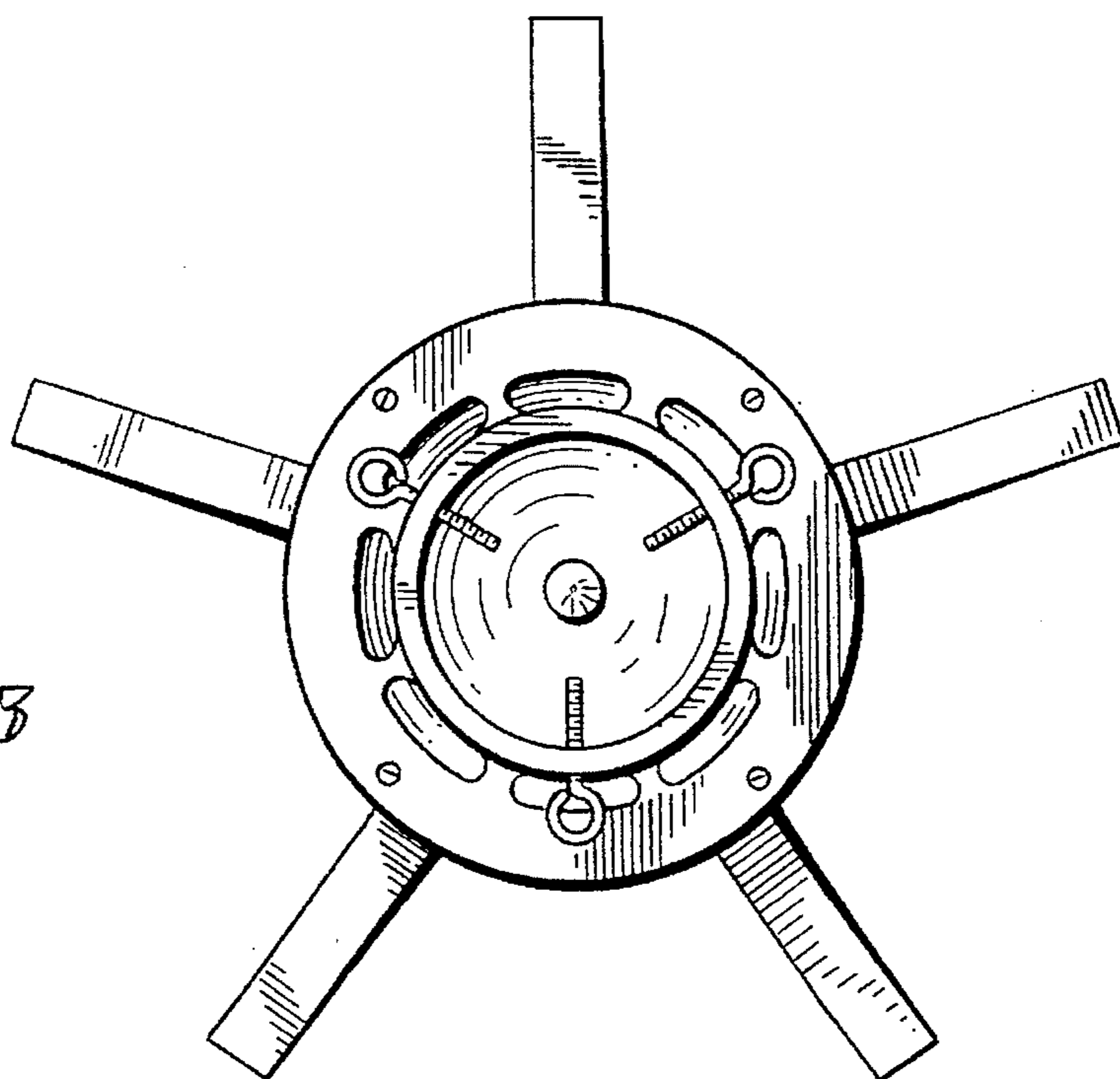
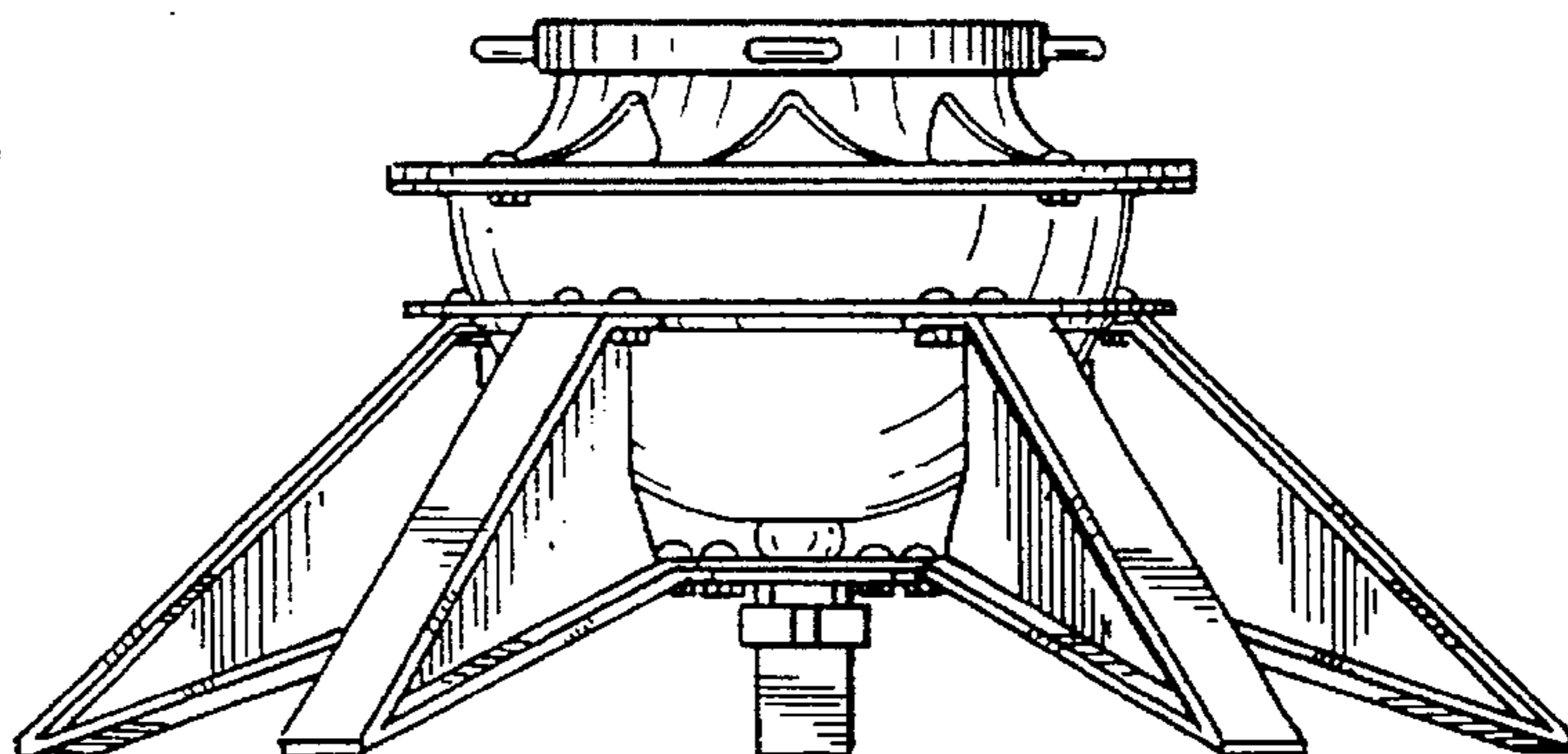


FIG. 3

FIG. 2



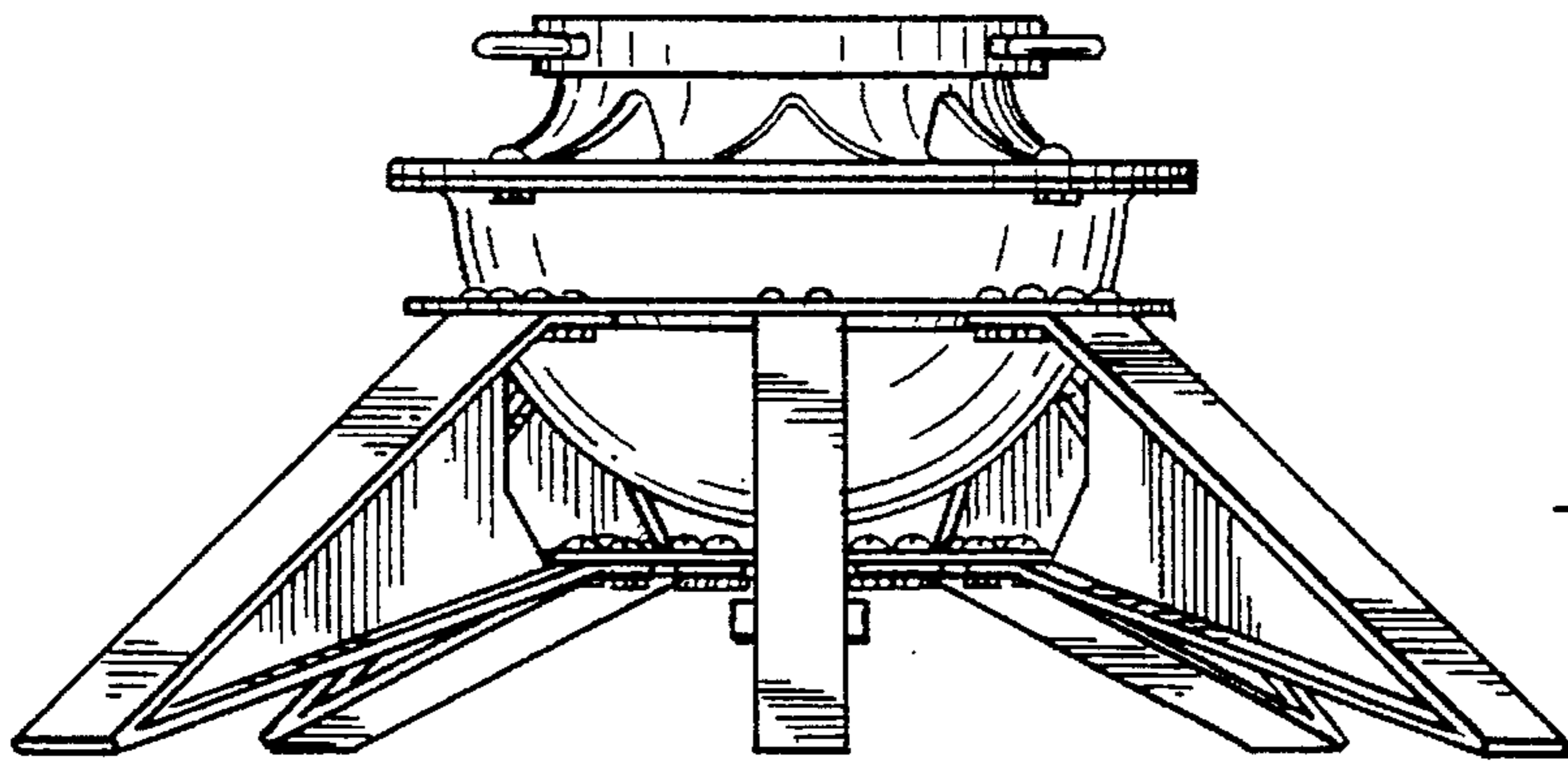


FIG. 4

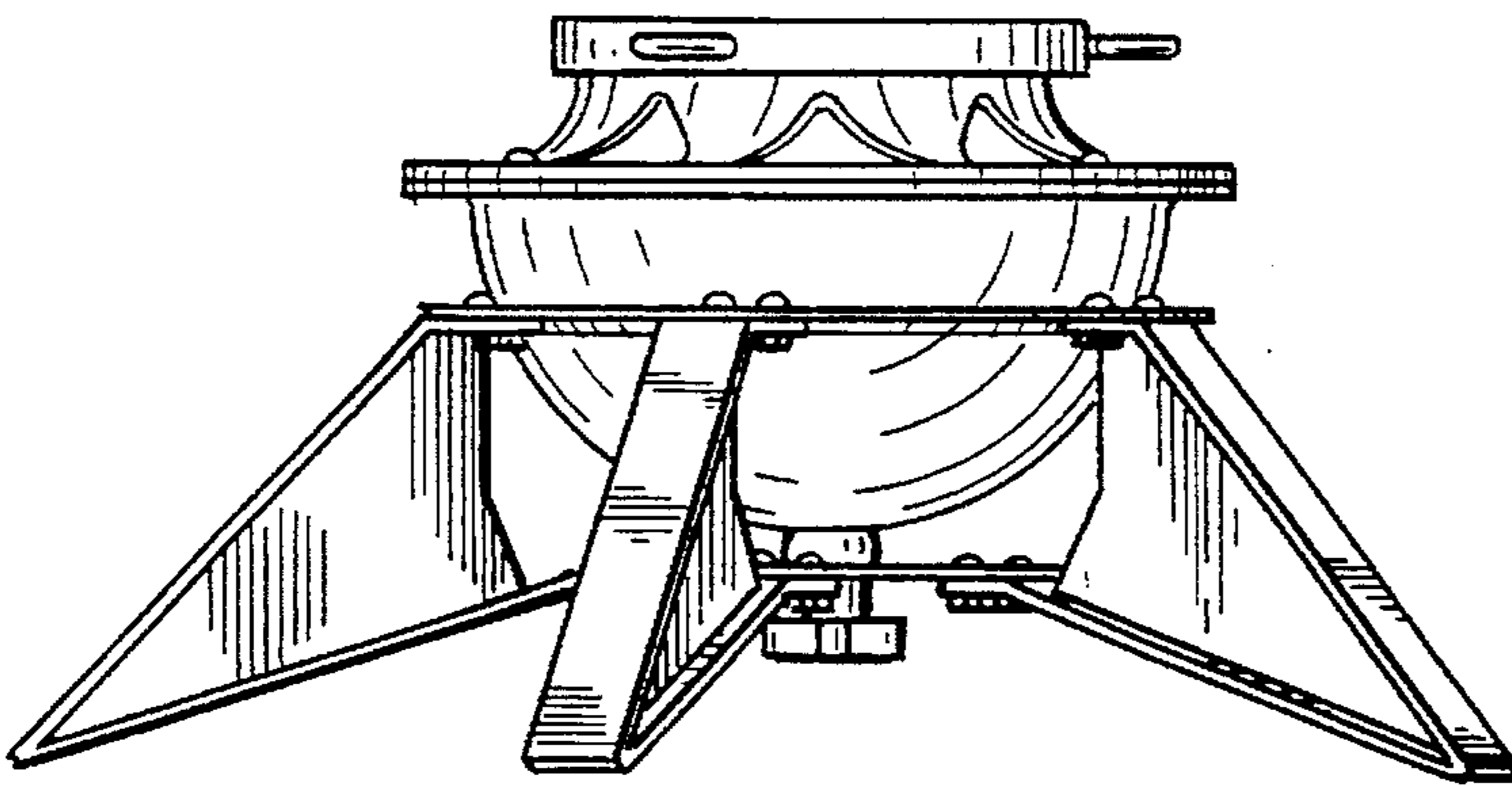


FIG. 5

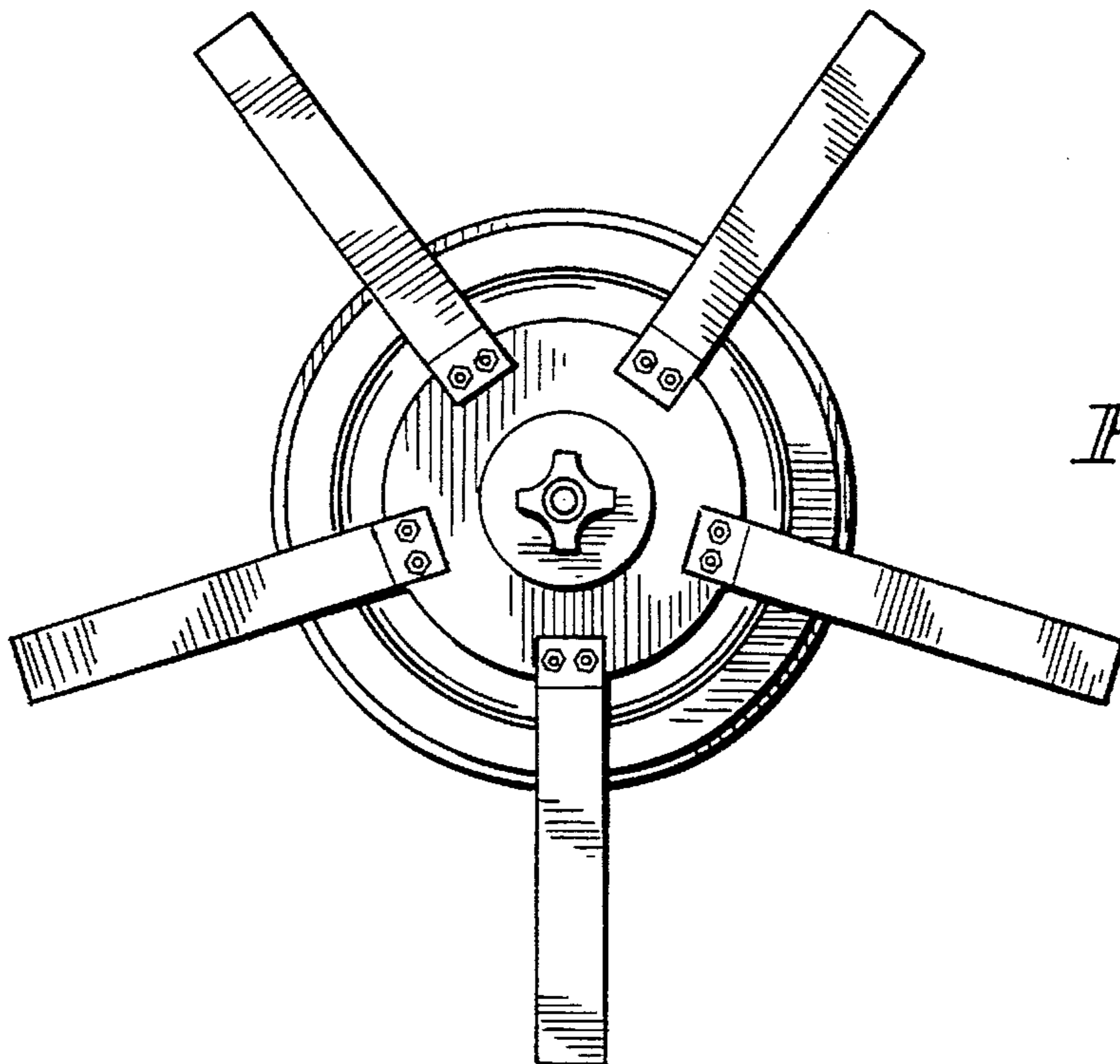


FIG. 6