



US00D381592S

United States Patent [19]
Gould

[11] **Patent Number: Des. 381,592**

[45] **Date of Patent: **Jul. 29, 1997**

[54] **COMBINED SENSOR AND ALARM UNIT FOR A WOOD STOVE PIPE SYSTEM**

[76] Inventor: **William Gould**, P.O. Box 133,
Henderson, N.Y. 13650

[**] Term: **14 Years**

[21] Appl. No.: **44,857**

[22] Filed: **Oct. 2, 1995**

[51] LOC (6) Cl. **10-04**

[52] U.S. Cl. **D10/106**

[58] **Field of Search** D10/104, 106,
D10/116, 121; 340/540, 541, 545, 571,
572, 573, 628, 629, 630, 693

[56] **References Cited**

U.S. PATENT DOCUMENTS

| | | | | |
|------------|--------|--------------|-------|---------|
| D. 333,796 | 3/1993 | Bannon | | D10/106 |
| D. 339,757 | 9/1993 | Feeney | | D10/106 |
| D. 347,595 | 6/1994 | Flaherty | | D10/106 |
| D. 348,410 | 7/1994 | Adams et al. | | D10/104 |

Primary Examiner—Marcus A. Jackson
Attorney, Agent, or Firm—Harold H. Dutton, Jr.; W. Charles L. Jamison; Diane F. Liebman

[57] **CLAIM**

The ornamental design for a support for a combined sensor and alarm unit for a wood stove pipe system, as shown.

DESCRIPTION

FIG. 1 is a perspective view of a combined sensor and alarm unit for a wood stove pipe system showing my new design, with the wire broken away in the center portion to indicate indeterminate length;

FIG. 2 is a rear view of the alarm housing portion thereof;

FIG. 3 is a top view thereof;

FIG. 4 is a bottom view thereof;

FIG. 5 is a left side view thereof;

FIG. 6 is a right side view thereof;

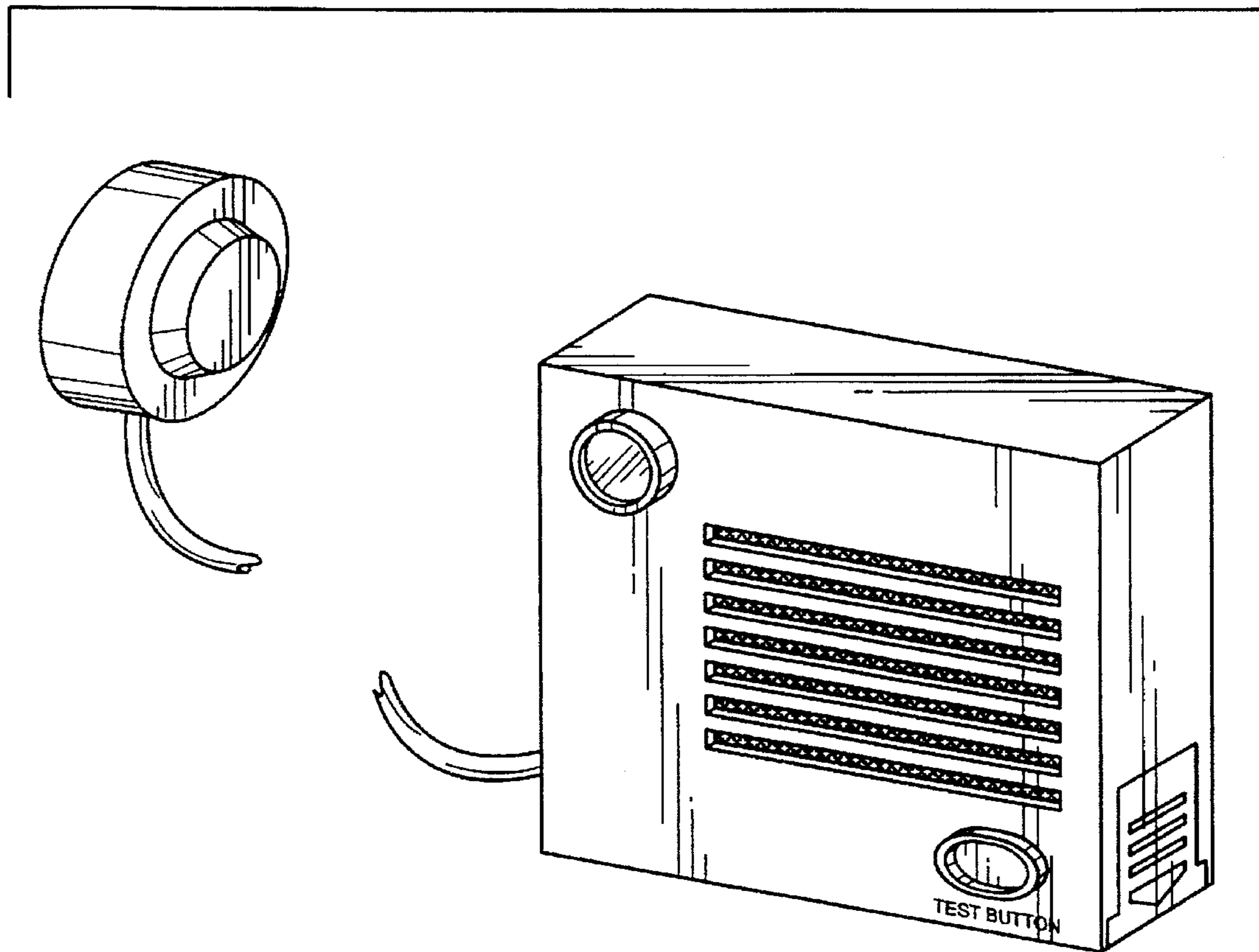
FIG. 7 is a front view of the sensor portion thereof;

FIG. 8 is a rear view thereof;

FIG. 9 is a top view thereof; and,

FIG. 10 is a bottom view thereof.

1 Claim, 4 Drawing Sheets



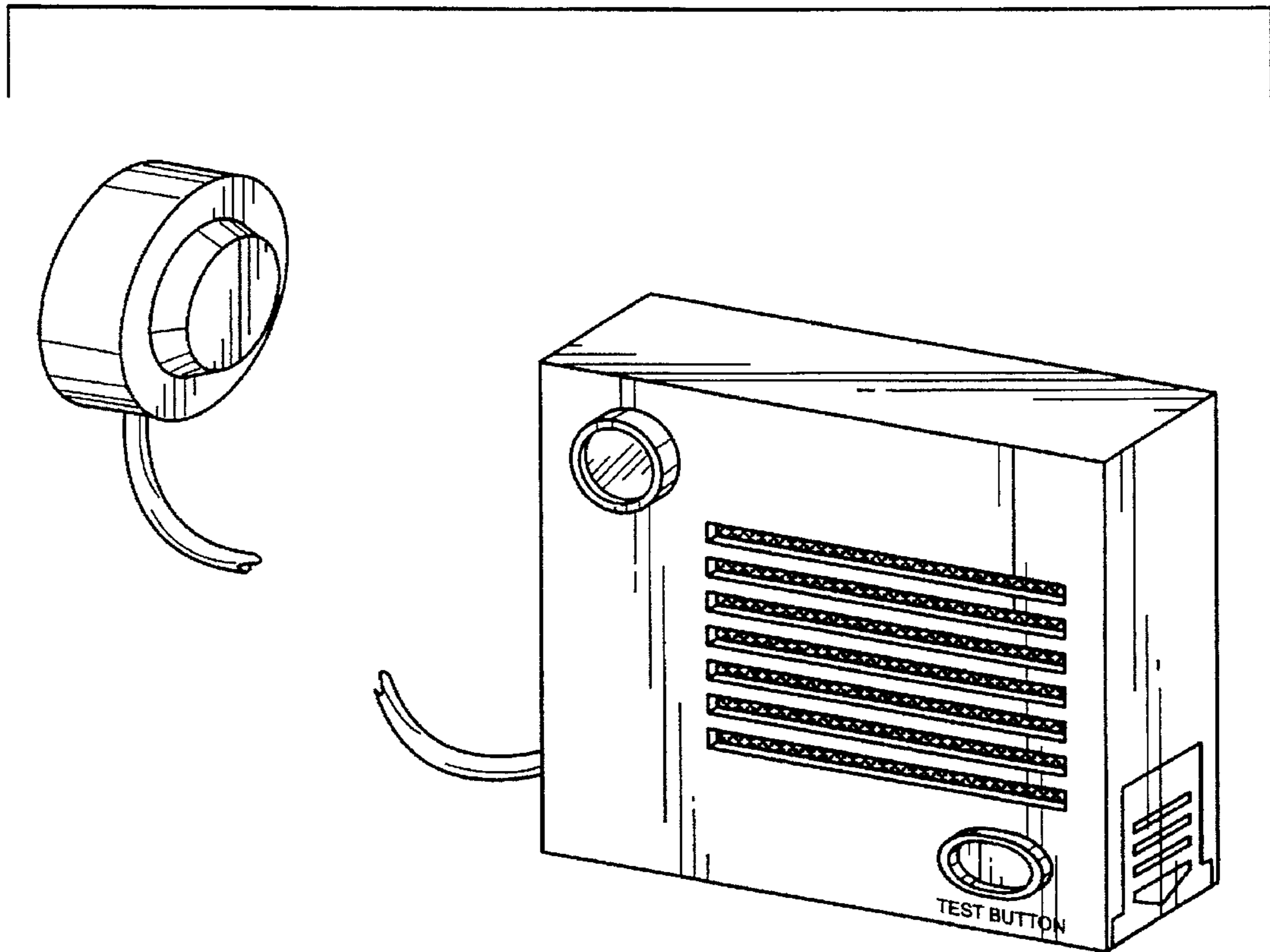


FIG. 1

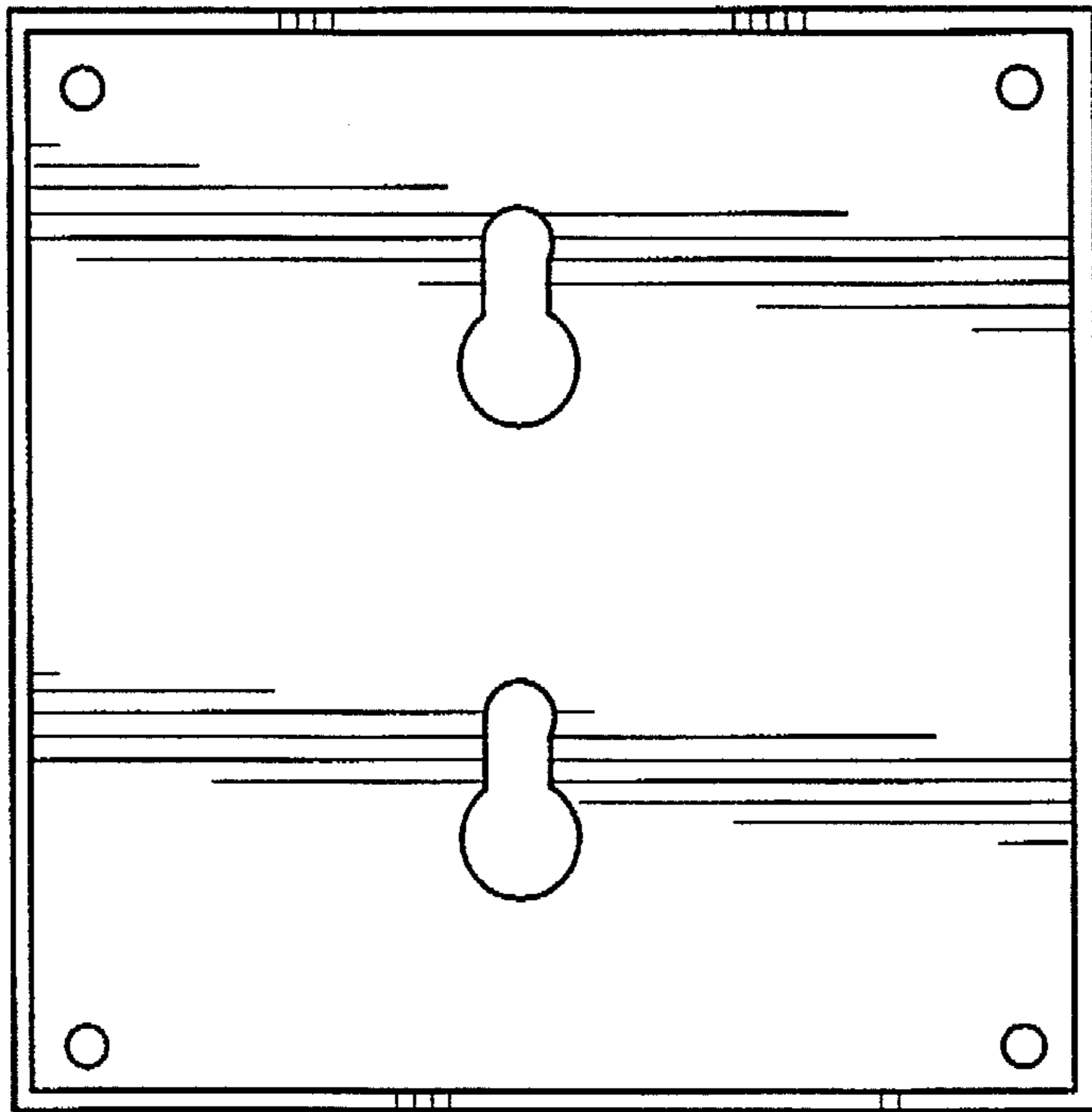


FIG. 2

FIG. 3

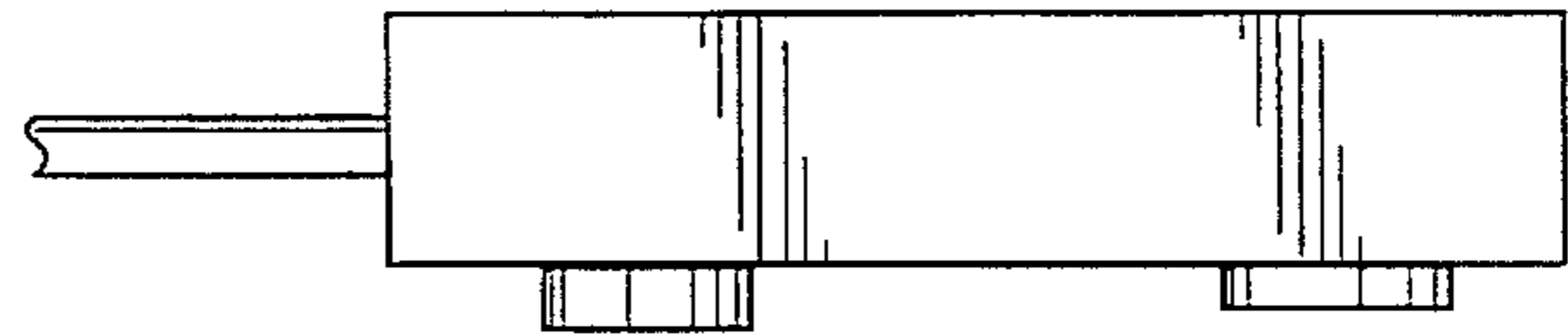
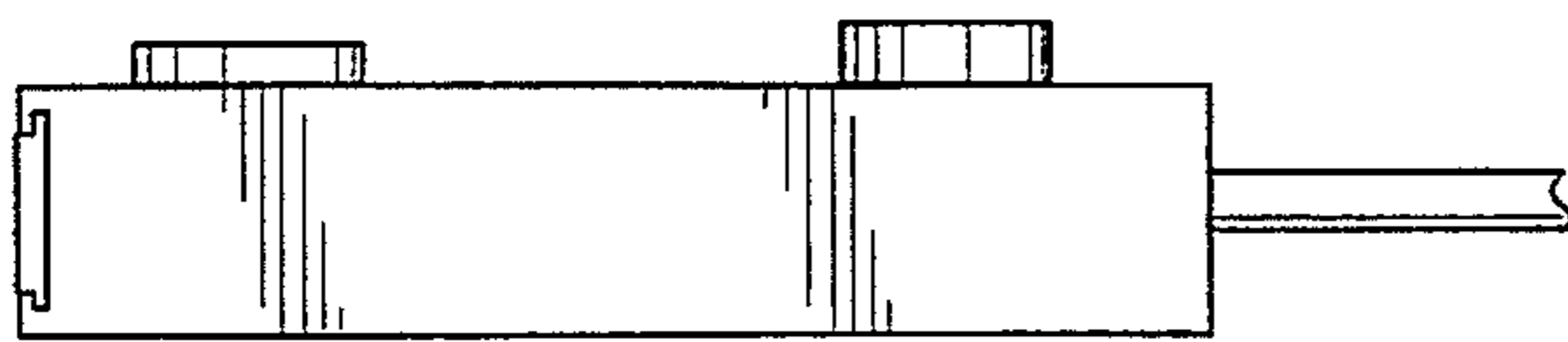


FIG. 4

FIG. 5

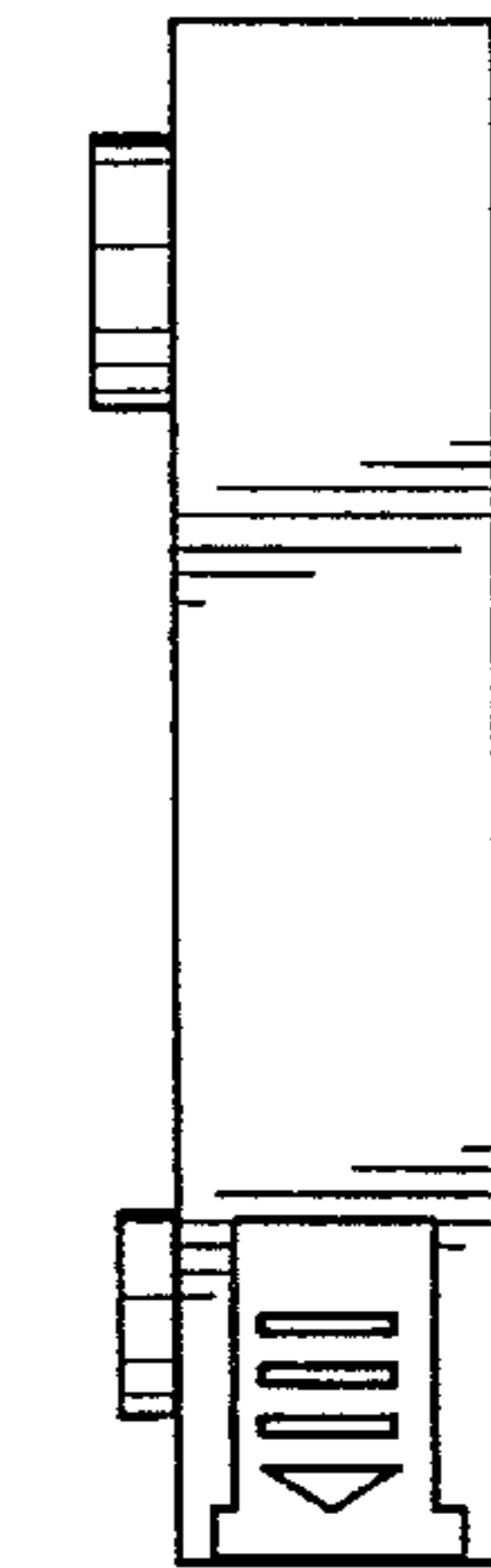
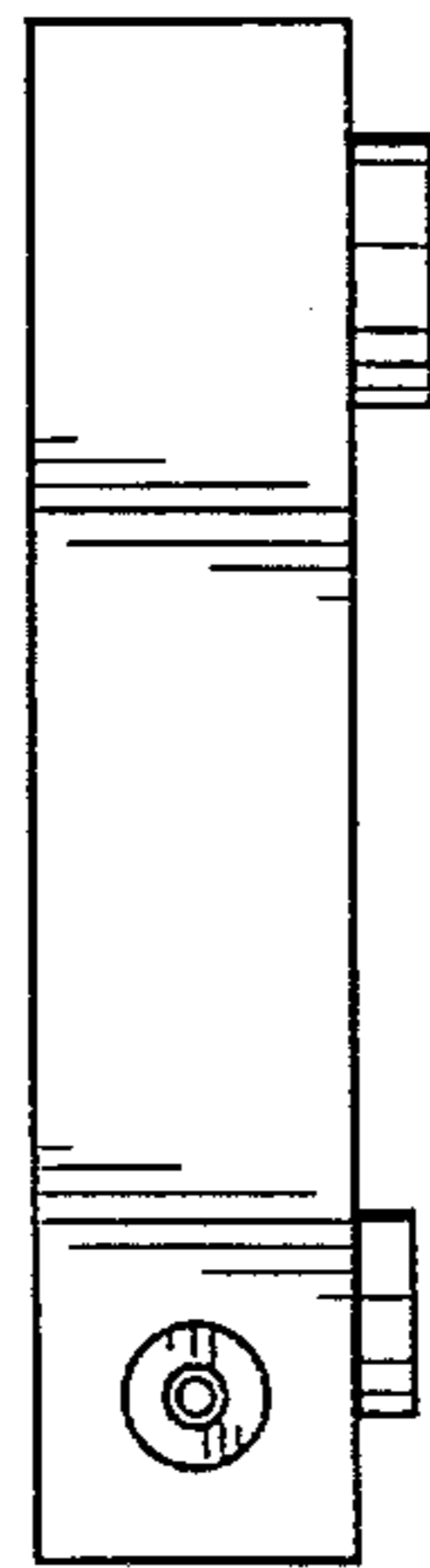


FIG. 6

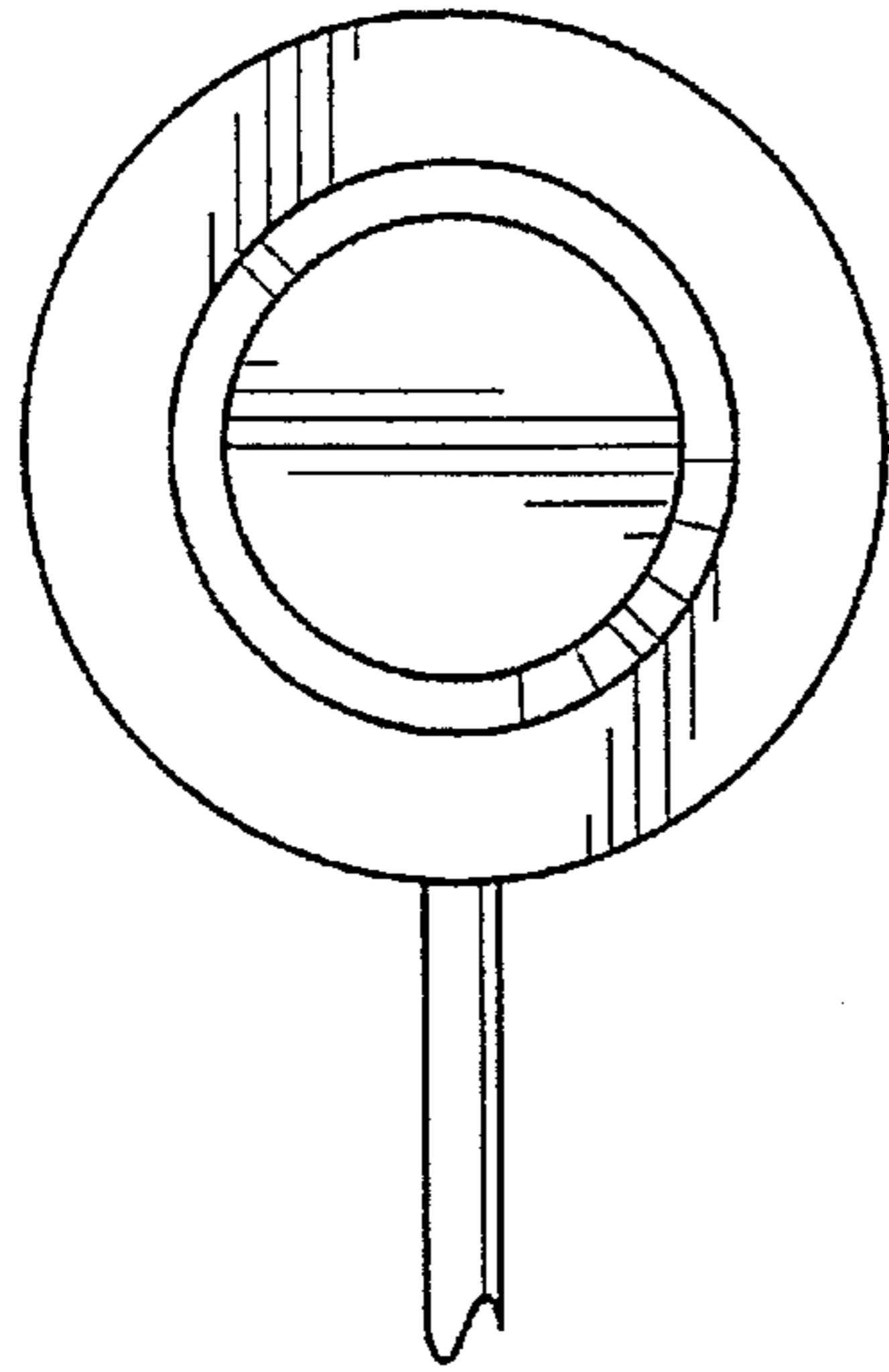


FIG. 7

FIG. 8

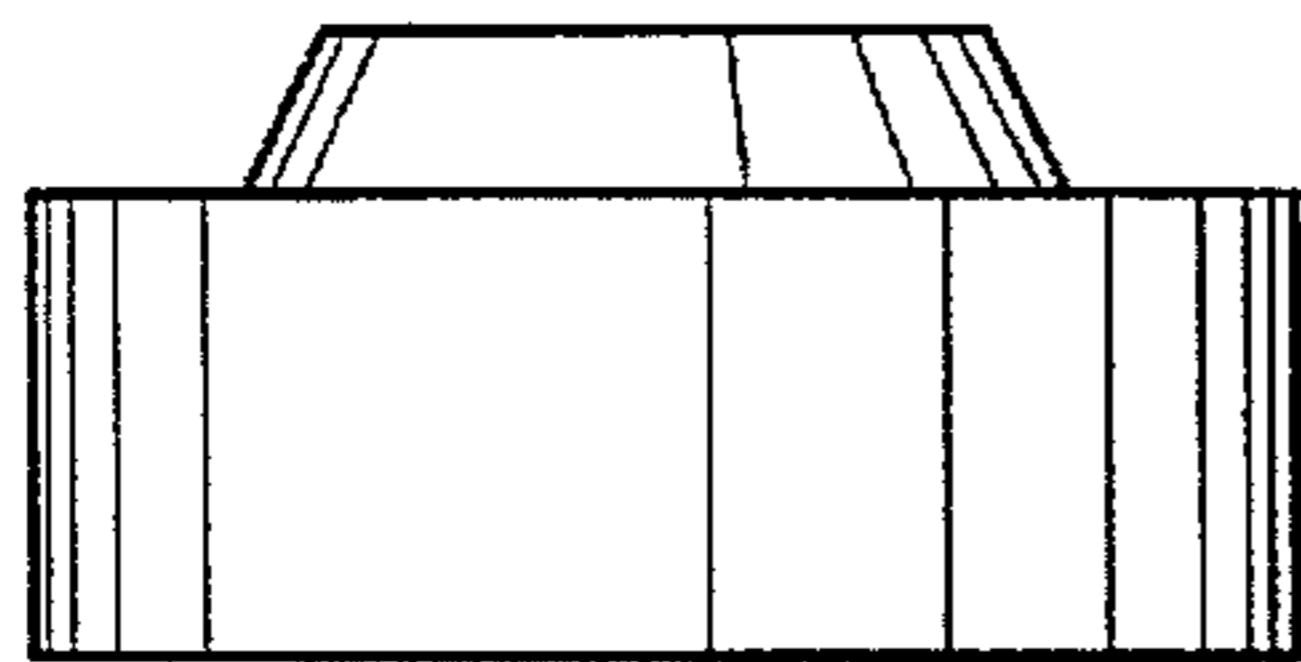
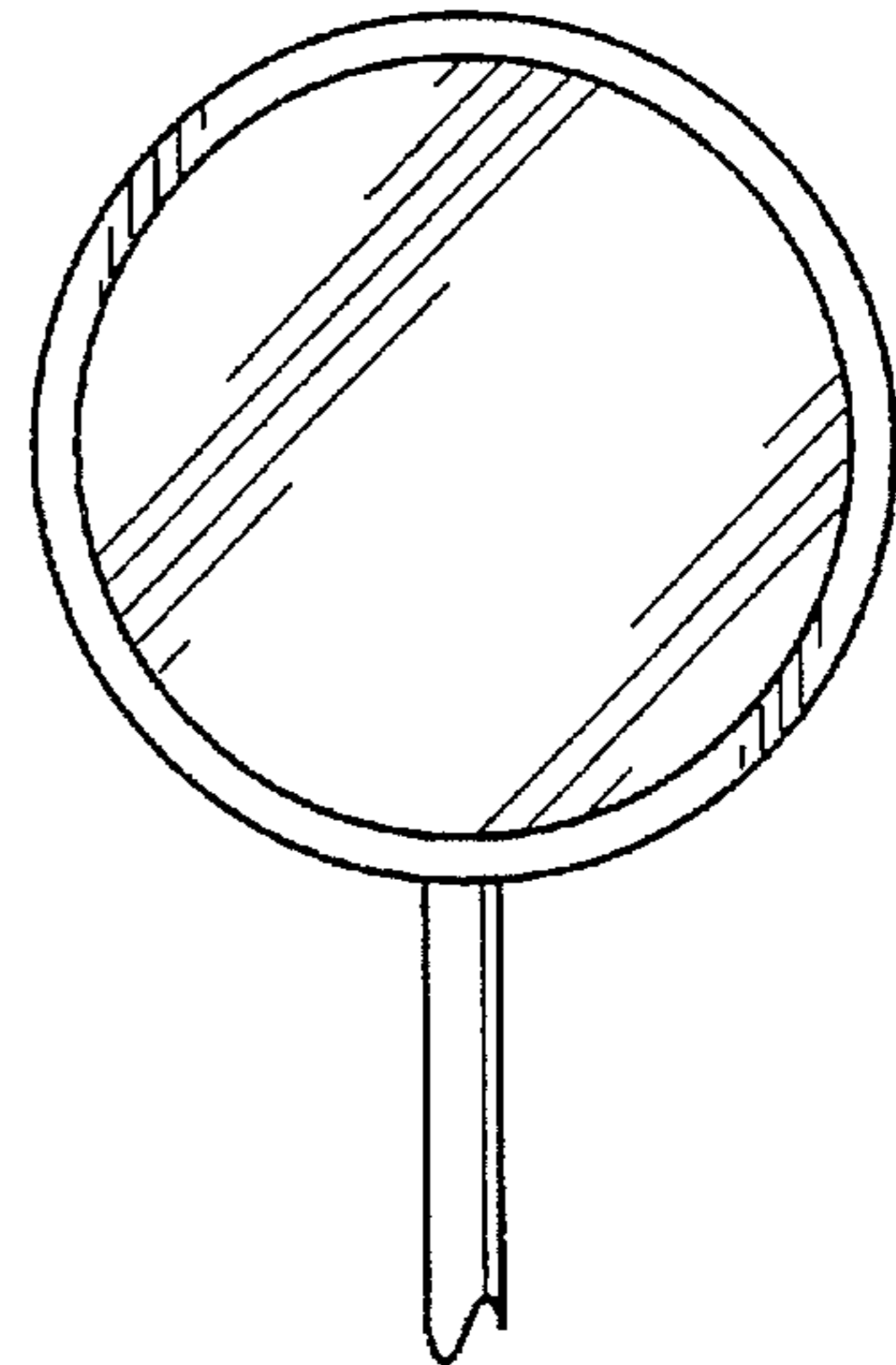


FIG. 9

FIG. 10

