



US00D381589S

# United States Patent [19] Chan

[11] Patent Number: **Des. 381,589**

[45] Date of Patent: **\*\*Jul. 29, 1997**

[54] **TIMER**

[75] Inventor: **Raymond Chan, Hong Kong, Hong Kong**

[73] Assignee: **IDT International Limited, Hamilton, Bermuda**

[\*\*] Term: **14 Years**

[21] Appl. No.: **54,171**

[22] Filed: **May 7, 1996**

### [30] Foreign Application Priority Data

Nov. 17, 1995 [GB] United Kingdom ..... 2052046

[51] LOC (6) Cl. .... **10-03**

[52] U.S. Cl. .... **D10/40; D10/104**

[58] Field of Search ..... D10/40, 15, 18,  
D10/26, 30; 368/10, 107-121, 100, 285;  
D20/10, 18; 116/223, 316, 318

### [56] References Cited

#### U.S. PATENT DOCUMENTS

D. 333,632 3/1993 Oh et al. .... D10/104

D. 351,861	10/1994	Andersson et al. ....	D20/18
D. 359,003	6/1995	Davis et al. ....	D10/40
D. 365,600	12/1995	Martin ....	D20/18
D. 366,837	2/1996	Cooney ....	D10/40
D. 368,230	3/1996	Cohen et al. ....	D10/40

*Primary Examiner*—Marcus A. Jackson  
*Attorney, Agent, or Firm*—Leydig, Voit & Mayer

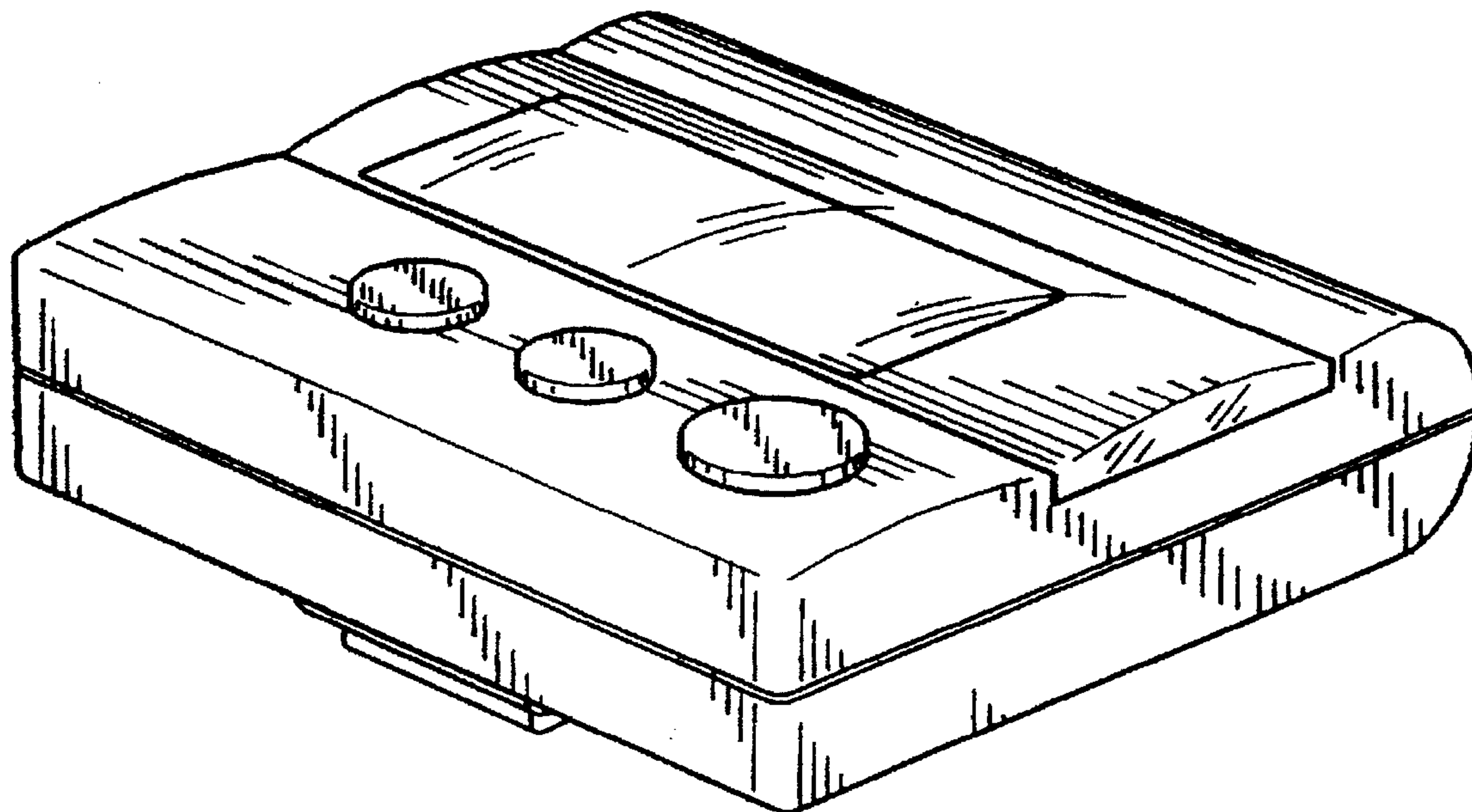
### [57] CLAIM

The ornamental design for a timer, as shown and described.

### DESCRIPTION

FIG. 1 is a front, bottom and right side perspective view of a timer showing my new design;  
FIG. 2 is a front elevational view thereof;  
FIG. 3 is a rear elevational view thereof;  
FIG. 4 is a top plan view thereof;  
FIG. 5 is a bottom plan view thereof;  
FIG. 6 is a right side elevational view thereof; and,  
FIG. 7 is a left side elevational view thereof.

**1 Claim, 4 Drawing Sheets**



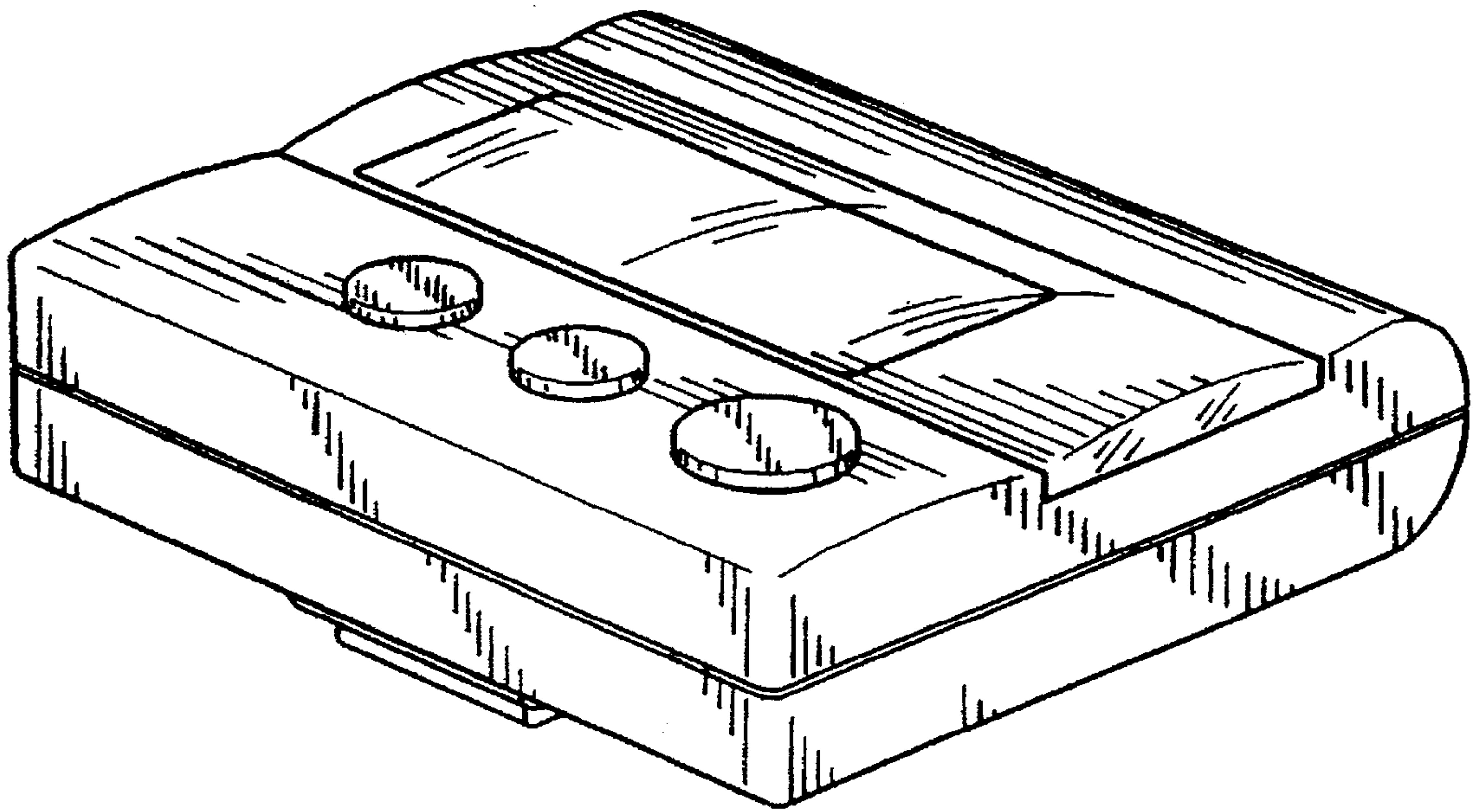


FIG. 1

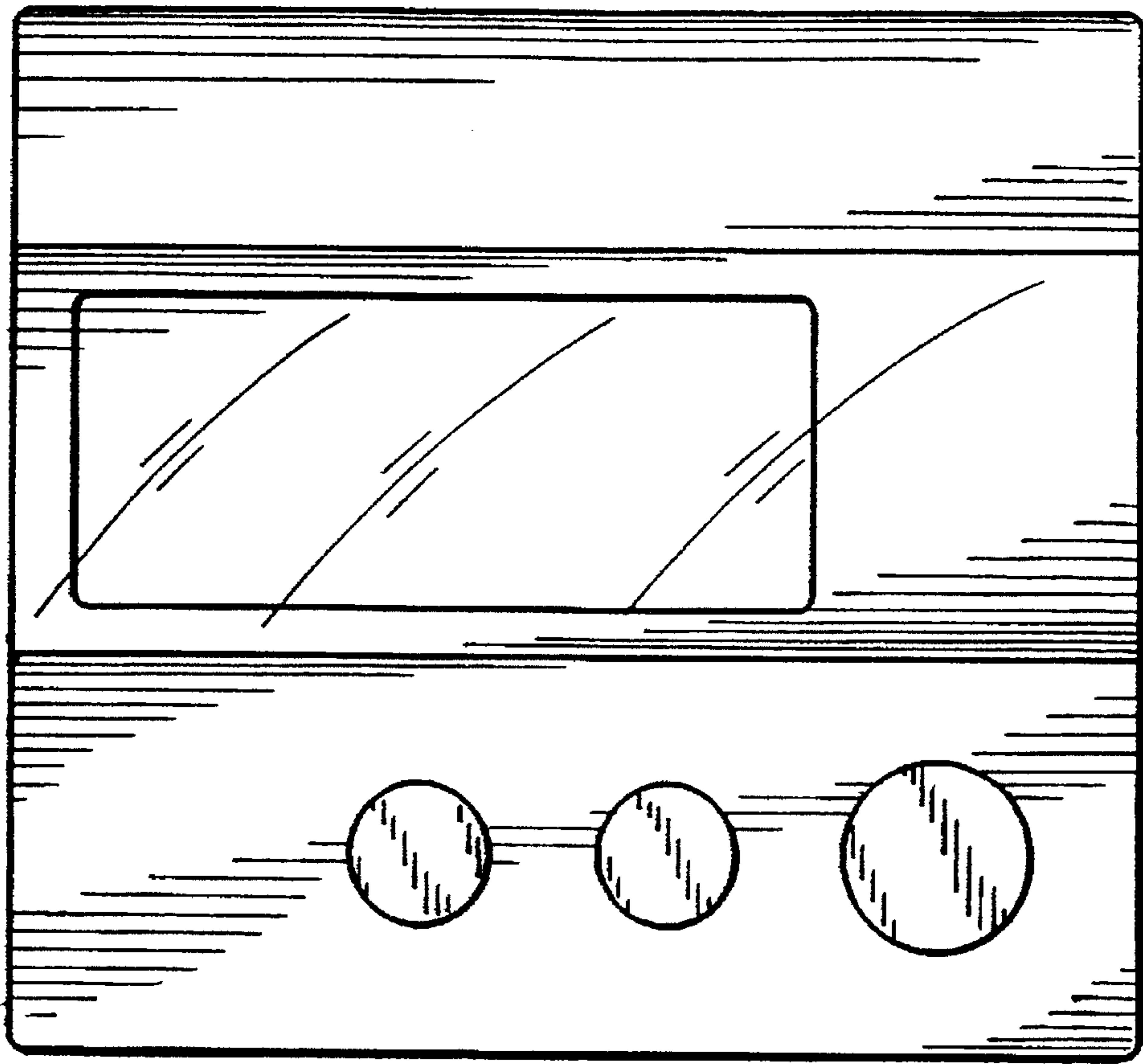


FIG. 2

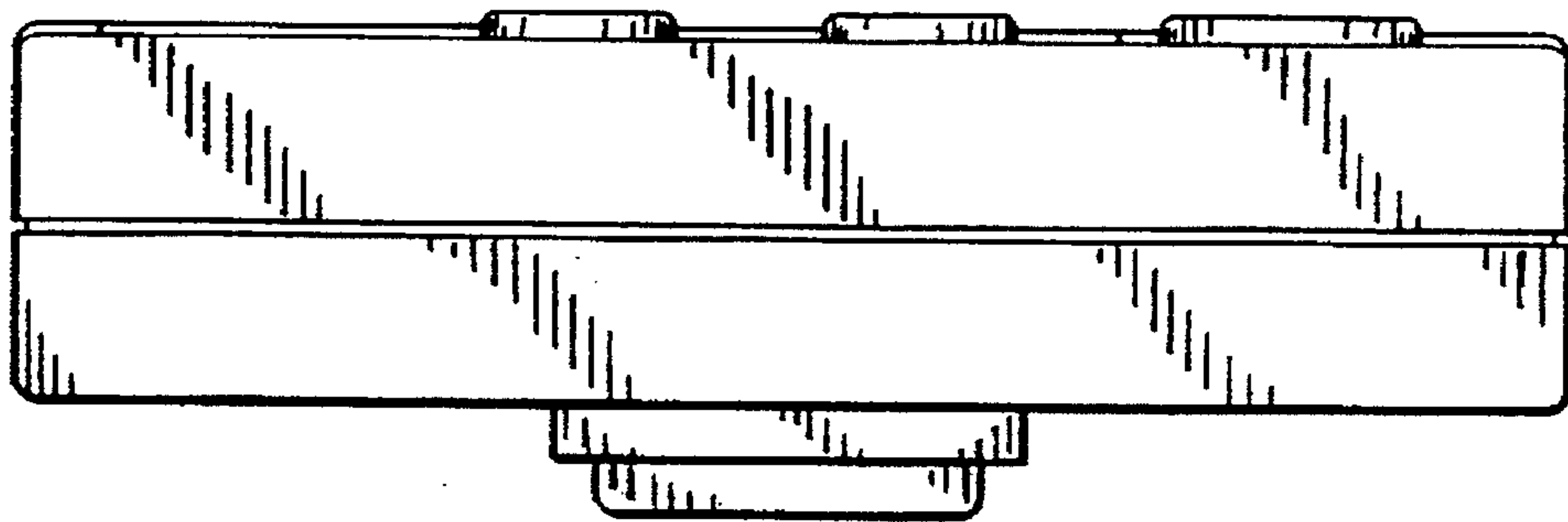


FIG. 5

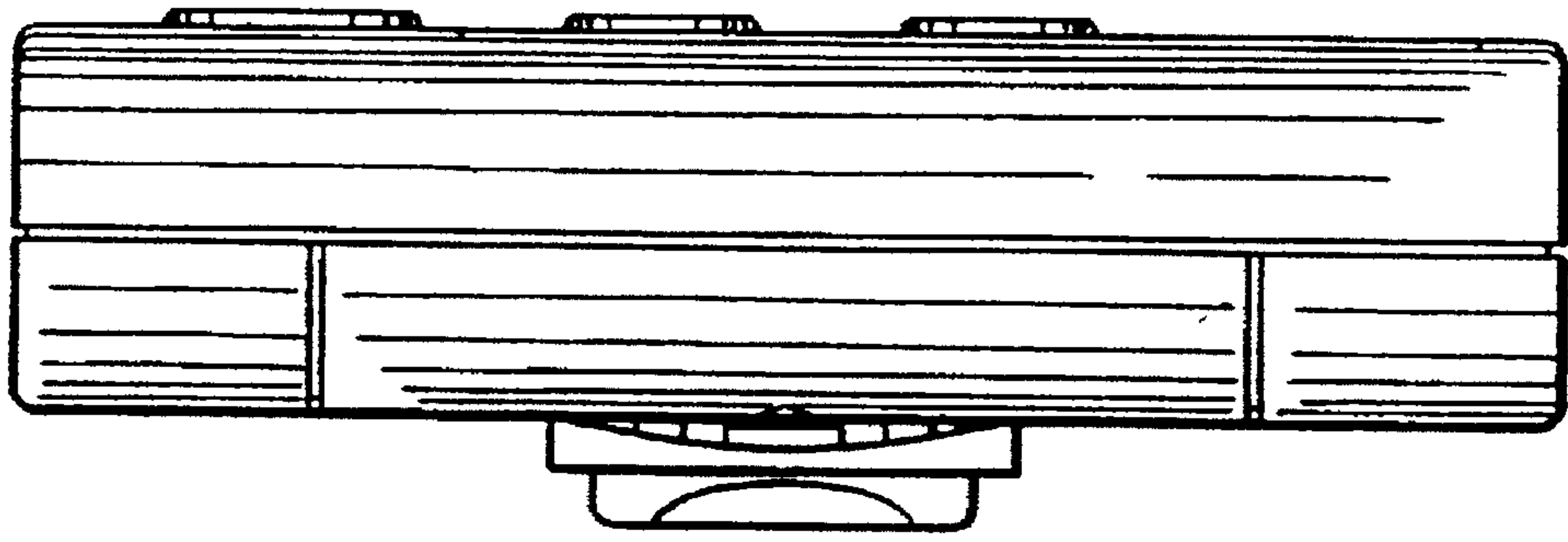


FIG. 4

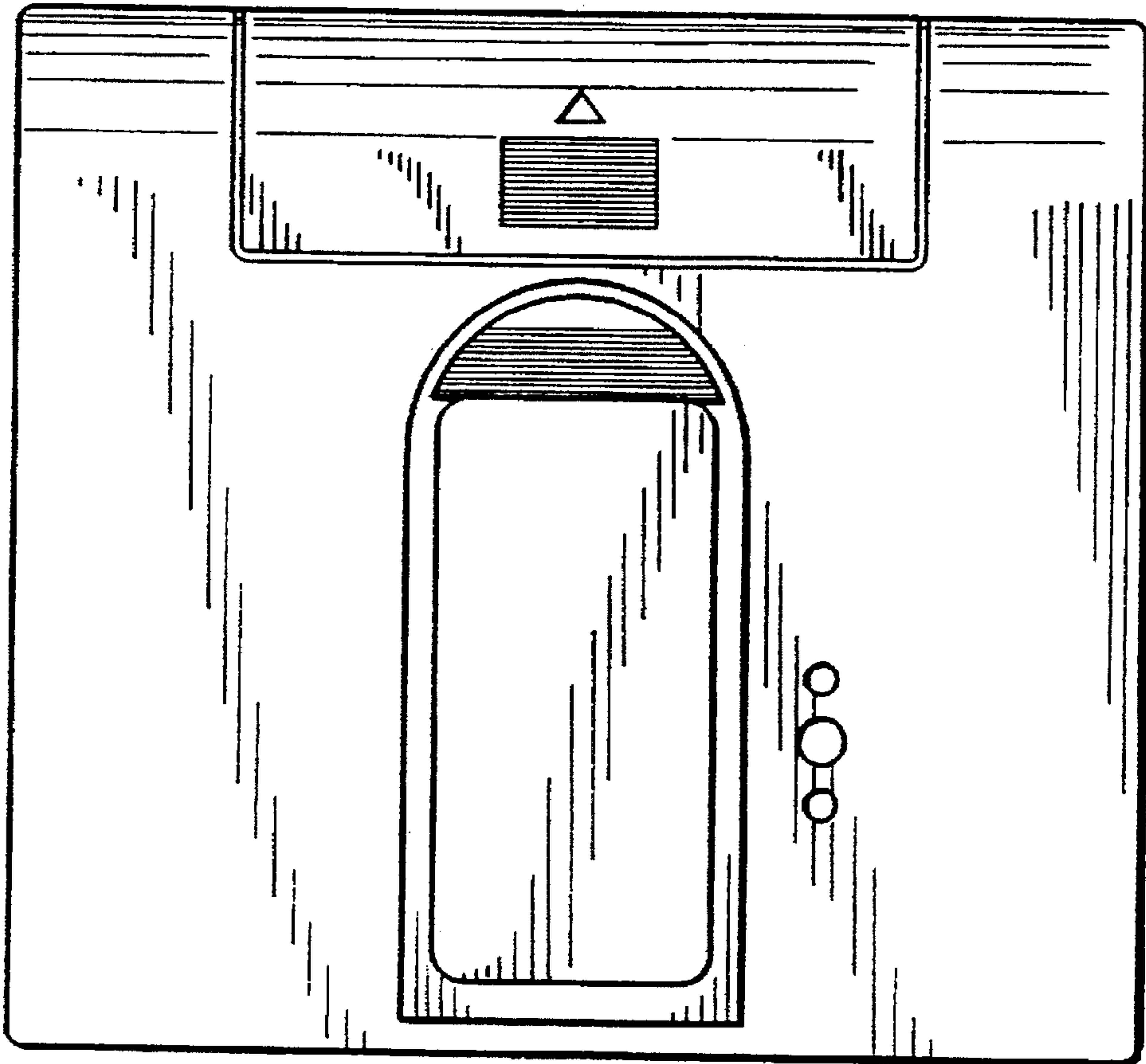


FIG. 3

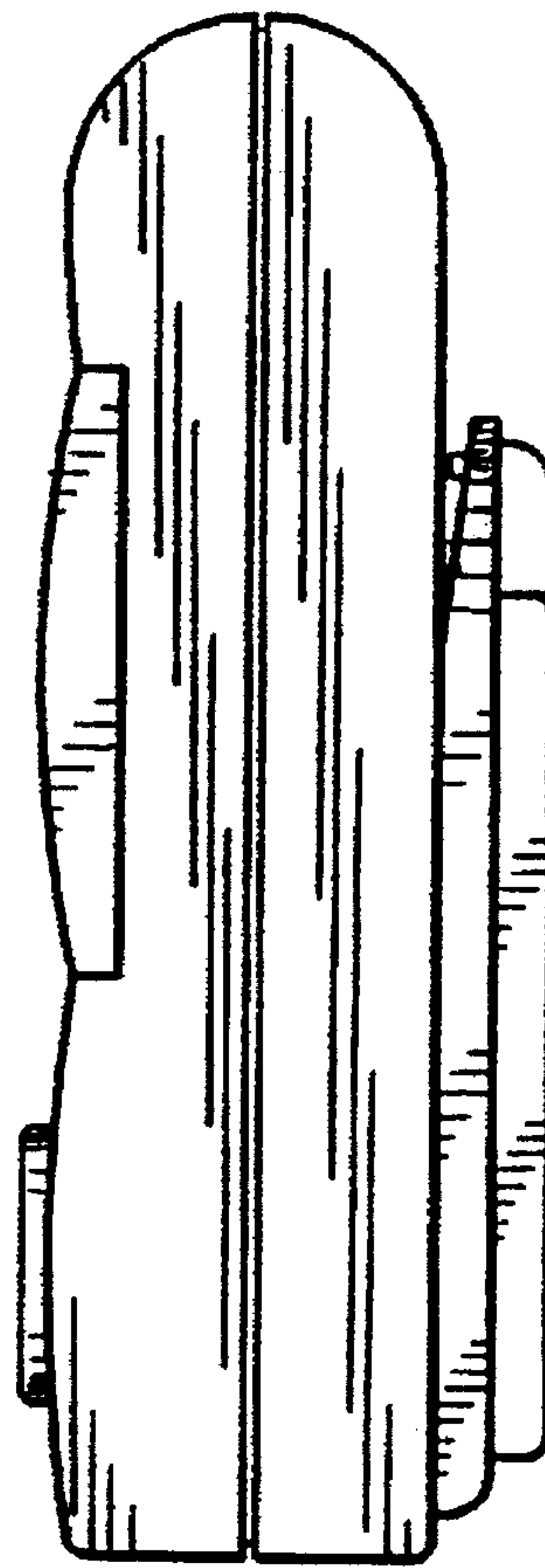


FIG. 6

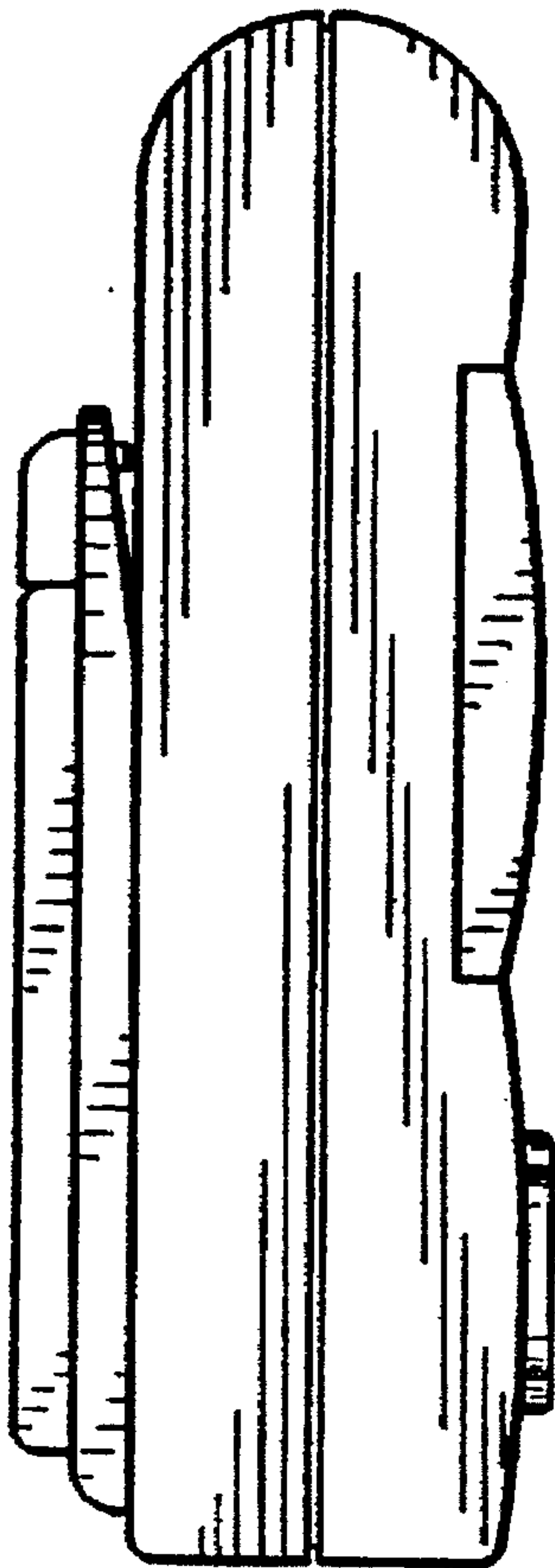


FIG. 7