



US00D381583S

United States Patent [19]

[11] Patent Number: **Des. 381,583**

Schugart et al.

[45] Date of Patent: ****Jul. 29, 1997**

[54] **DESKTOP CLOCK MAP AND DATA BASE**

[75] Inventors: **Gene Schugart**, Pasadena; **Kimberlee Muenzer**, La Canada; **Spencer L. Mackay**, Agoura Hills, all of Calif.

[73] Assignee: **Educational Insights, Inc.**, Carson, Calif.

[**] Term: **14 Years**

[21] Appl. No.: **55,673**

[22] Filed: **Jun. 10, 1996**

[51] LOC (6) Cl. **10-01**

[52] U.S. Cl. **D10/2; D10/10; D14/106**

[58] Field of Search **D10/1, 2, 3, 10, D10/15; D14/100, 106, 115; D18/2, 7; 368/10, 11, 278**

[56] **References Cited**

U.S. PATENT DOCUMENTS

D. 276,232	11/1984	Dix et al.	D14/106
D. 312,971	12/1990	Takashima	D10/10
D. 322,405	12/1991	Ozawa	D10/10 X
D. 328,254	7/1992	Peersman	D10/2
D. 328,713	8/1992	Tsukuda	D10/15
3,822,545	7/1974	Catto et al.	D10/15 X

Primary Examiner—James Gandy
Assistant Examiner—Cathron B Matta
Attorney, Agent, or Firm—Price, Gess & Ubell

[57] **CLAIM**

The ornamental design for a desktop clock, map, and data base, as shown and described.

DESCRIPTION

FIG. 1 is a front perspective view of the desktop clock, map, and data base showing the new design in a closed storage configuration;

FIG. 2 is a front elevational view of FIG. 1;

FIG. 3 is a left side elevational view of FIG. 1;

FIG. 4 is a right side elevational view of FIG. 1;

FIG. 5 is a rear elevational view of FIG. 1;

FIG. 6 is a top plan view of FIG. 1;

FIG. 7 is a bottom plan view of FIG. 1;

FIG. 8 is a front perspective view of the desktop clock, map, and data base in an open configuration;

FIG. 9 is a left side elevational view of FIG. 8;

FIG. 10 is a right side elevational view of FIG. 8;

FIG. 11 is a top plan view of FIG. 8; and,

FIG. 12 is a bottom plan view of FIG. 8.

The broken line showing of a map and coordinates in FIGS. 1 and 8 is for illustrative purposes only and forms no part of the claimed design.

1 Claim, 8 Drawing Sheets

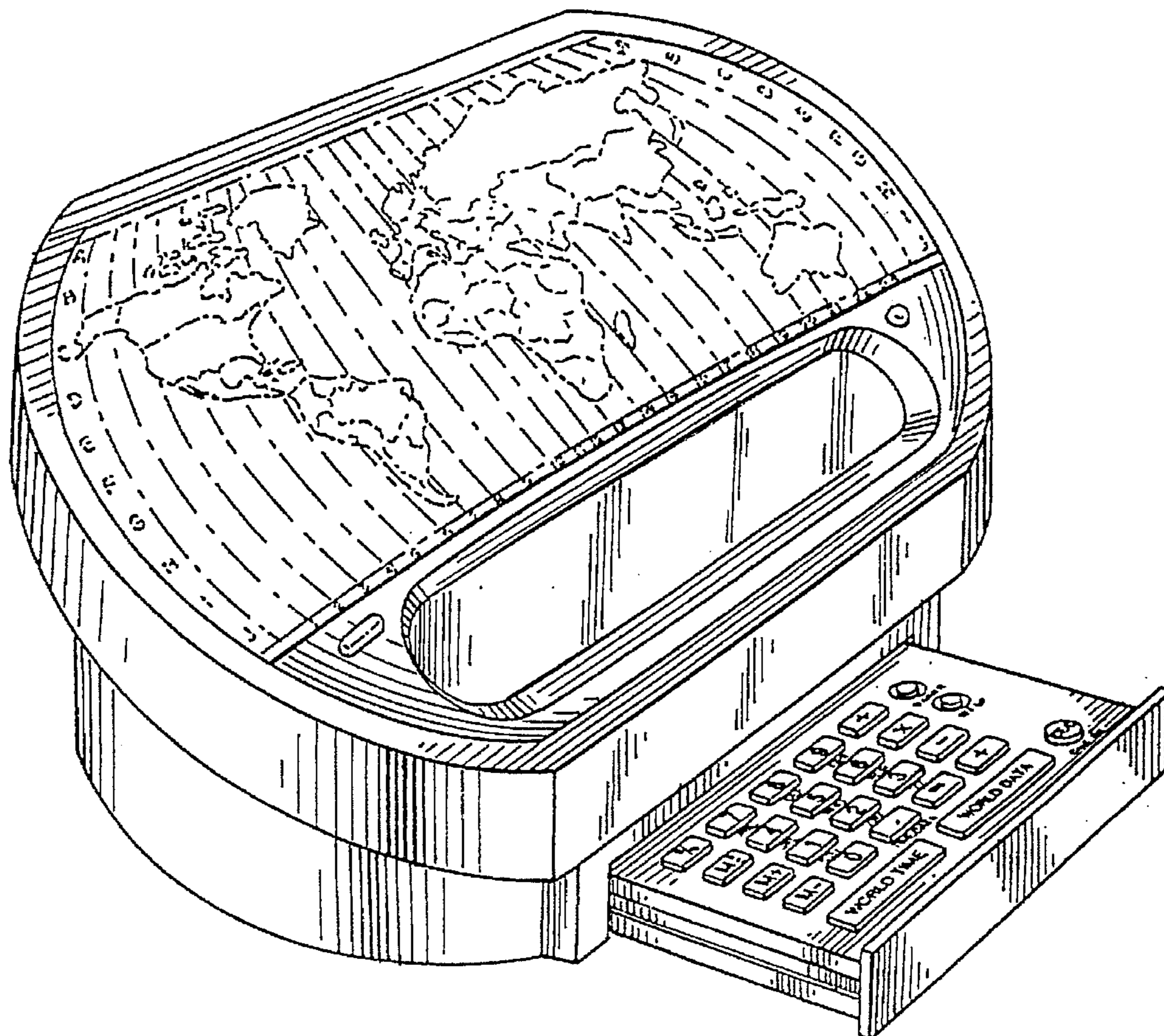


FIG. 1

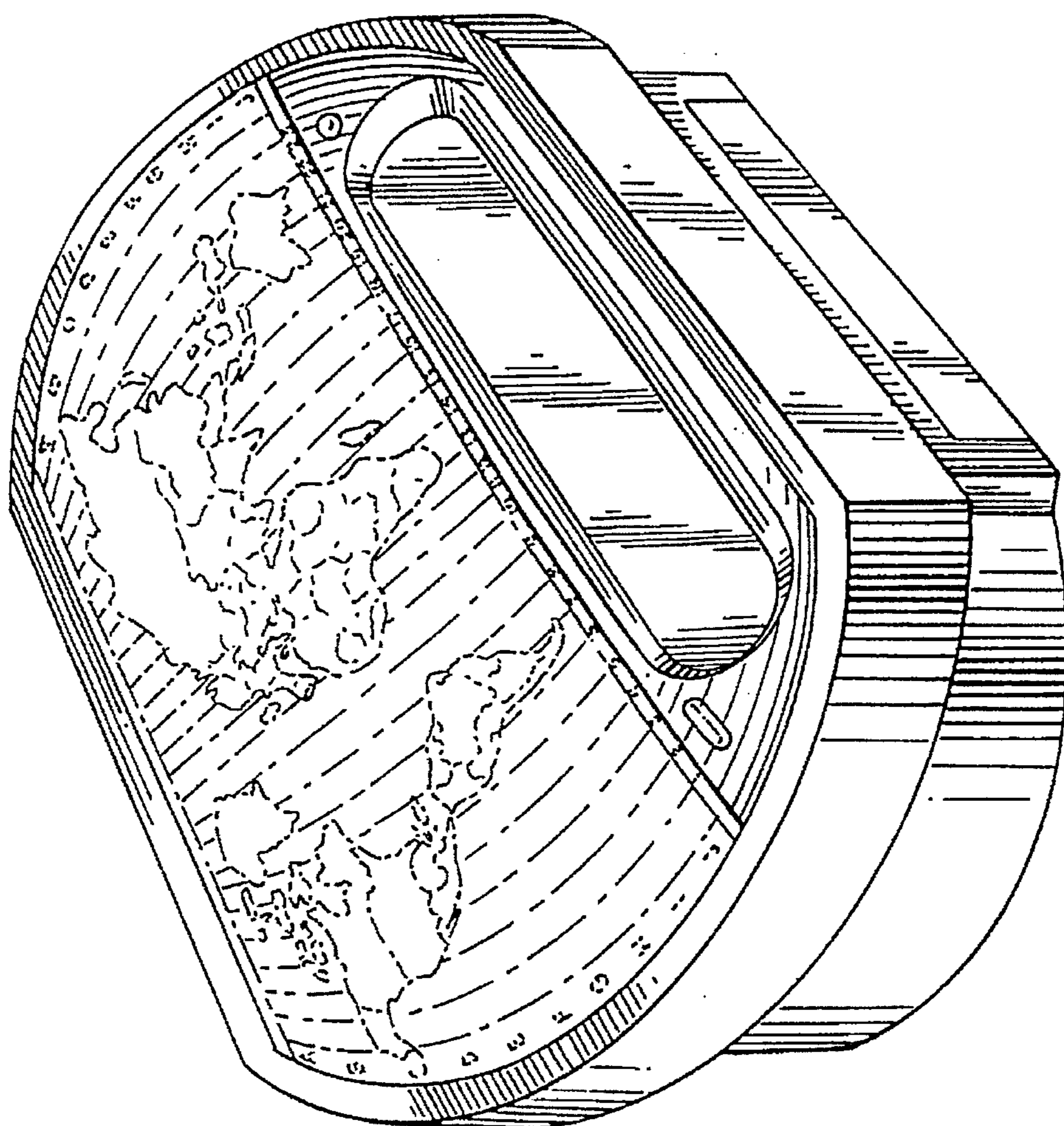


FIG. 2

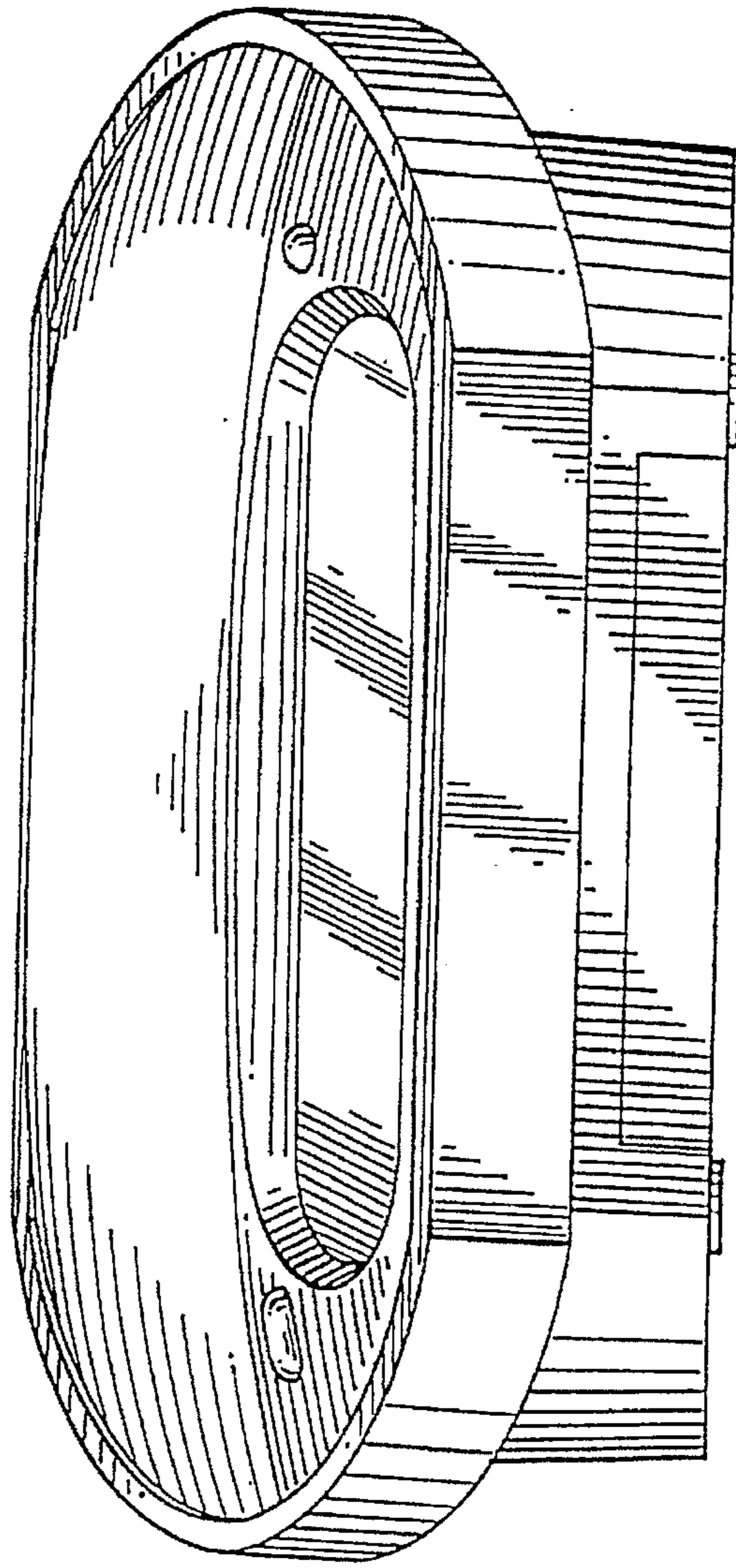
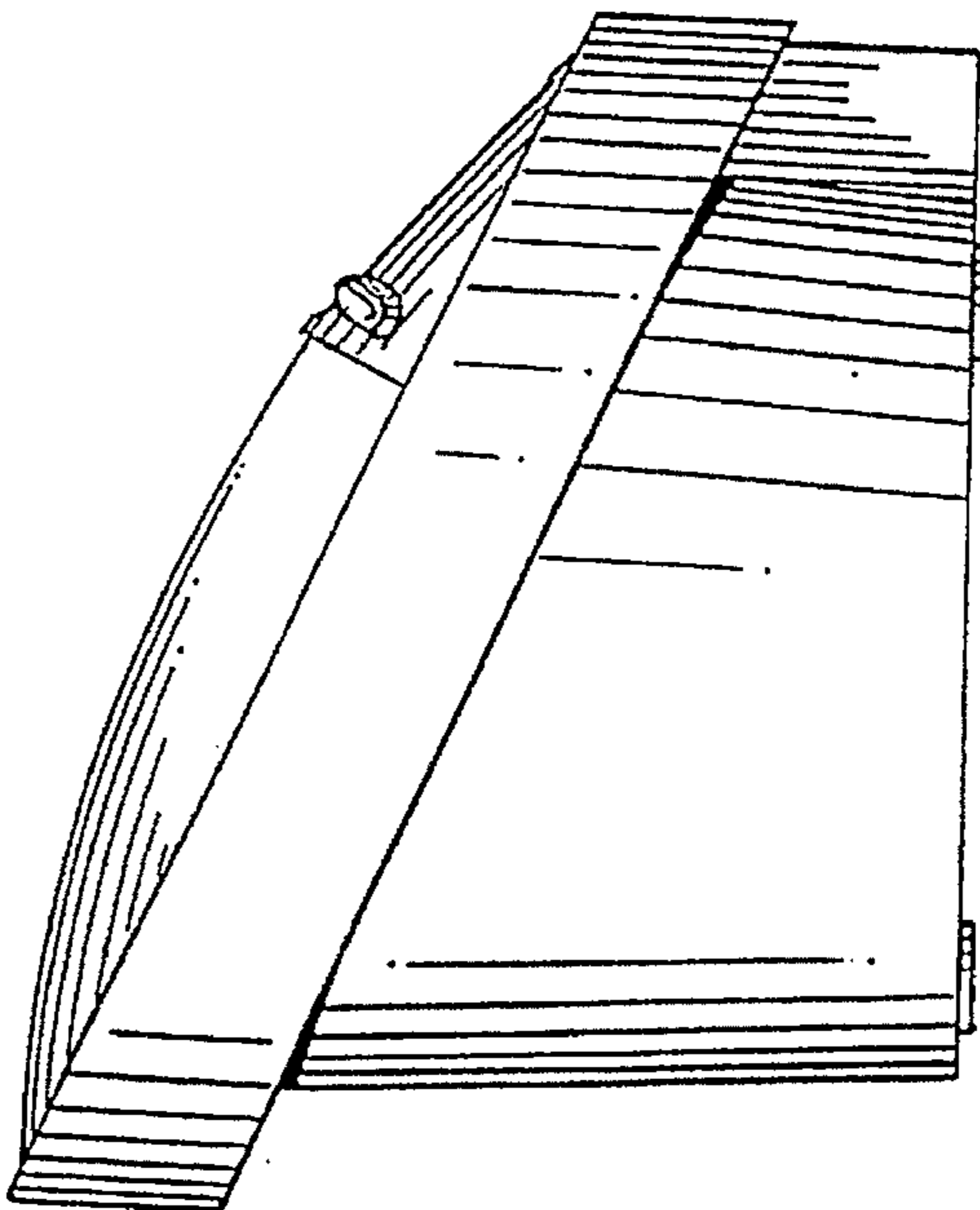


FIG. 3



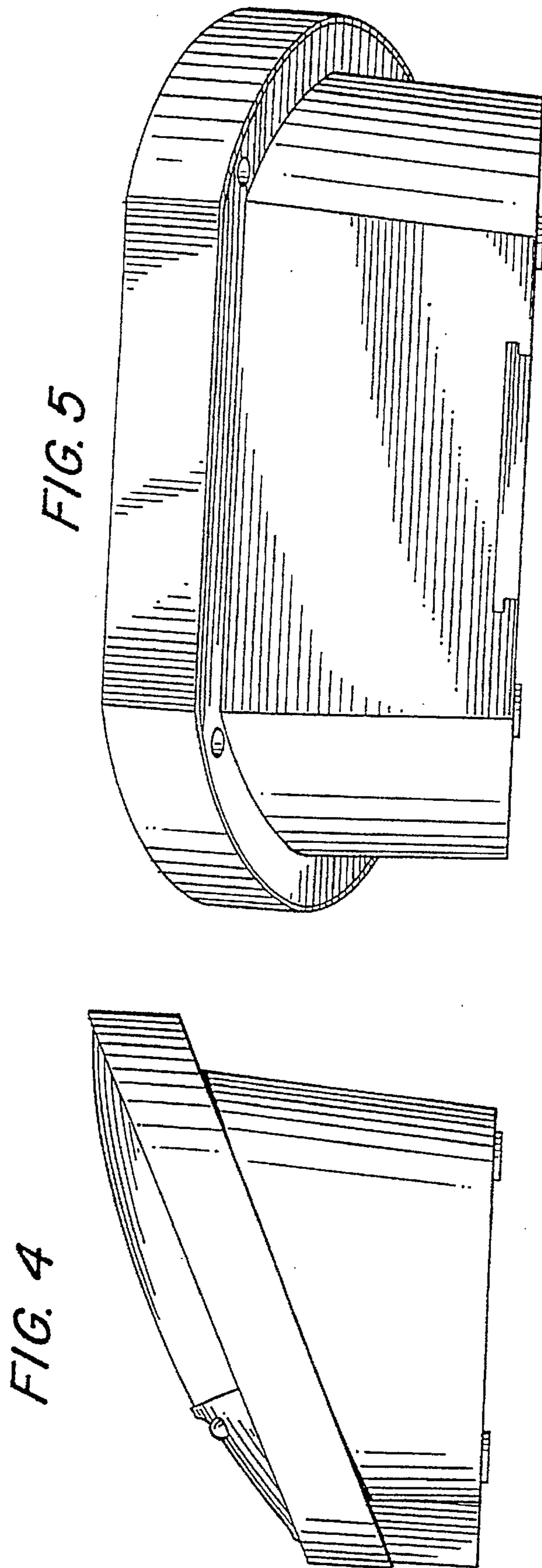


FIG. 6

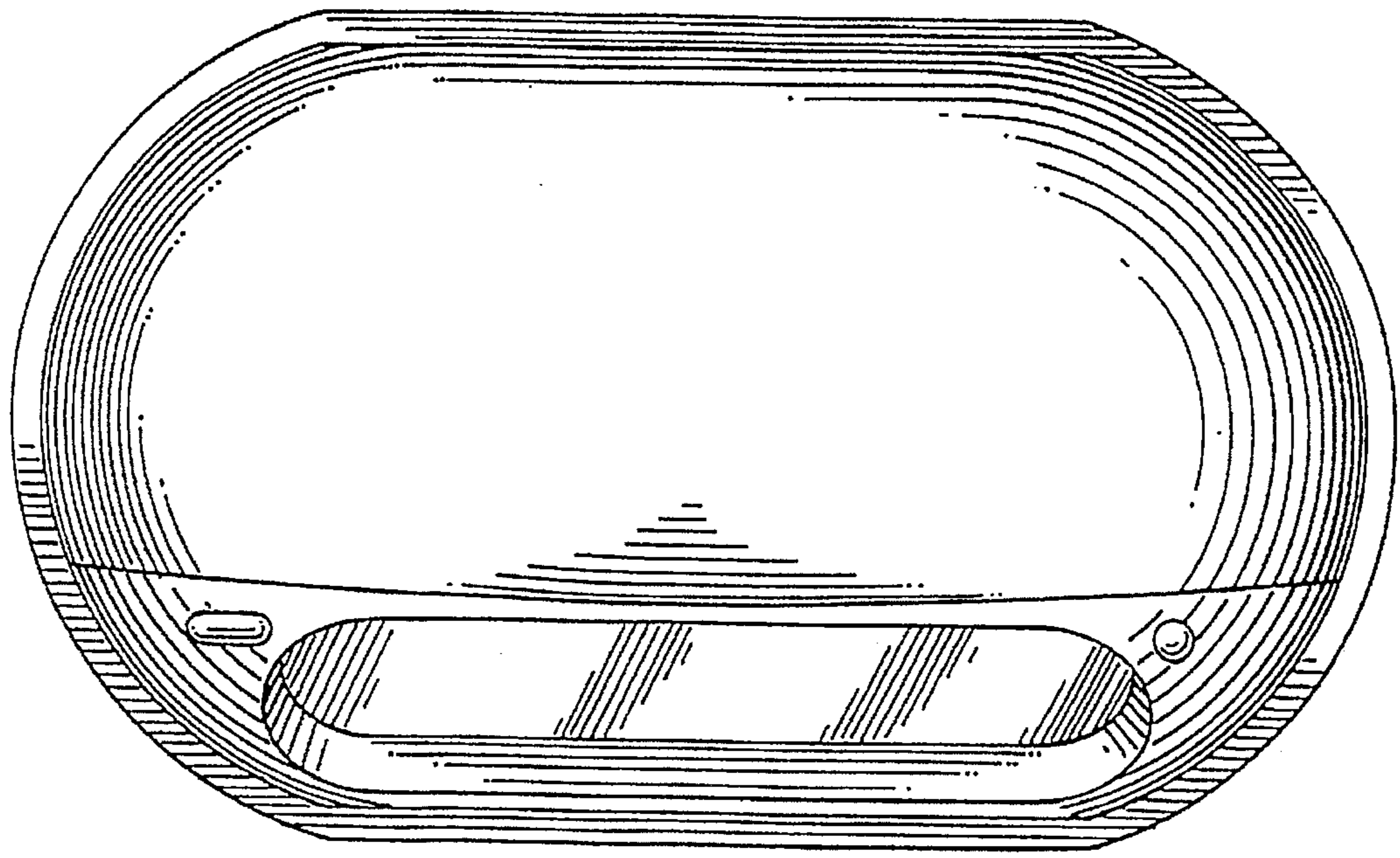


FIG. 7

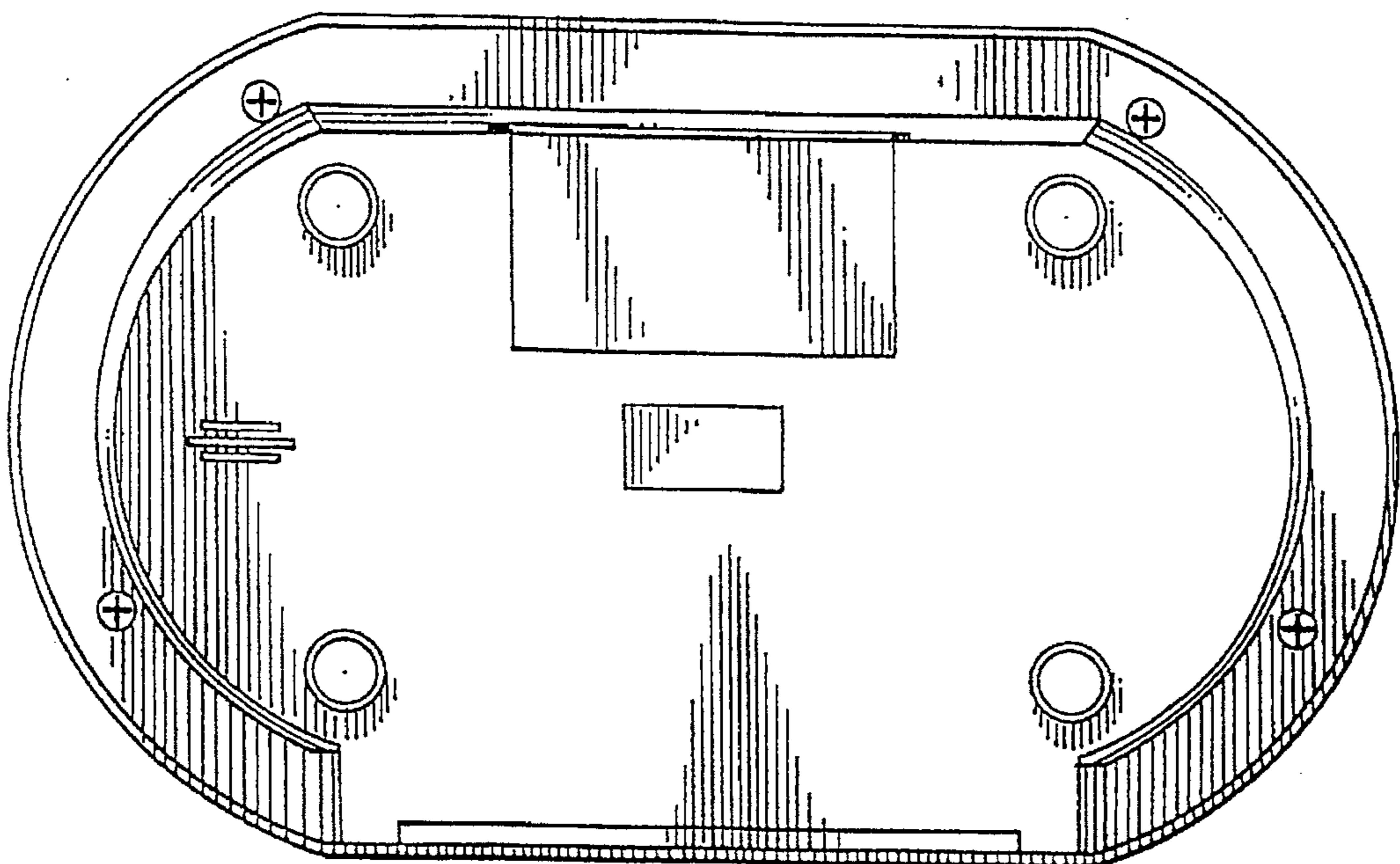


FIG. 8

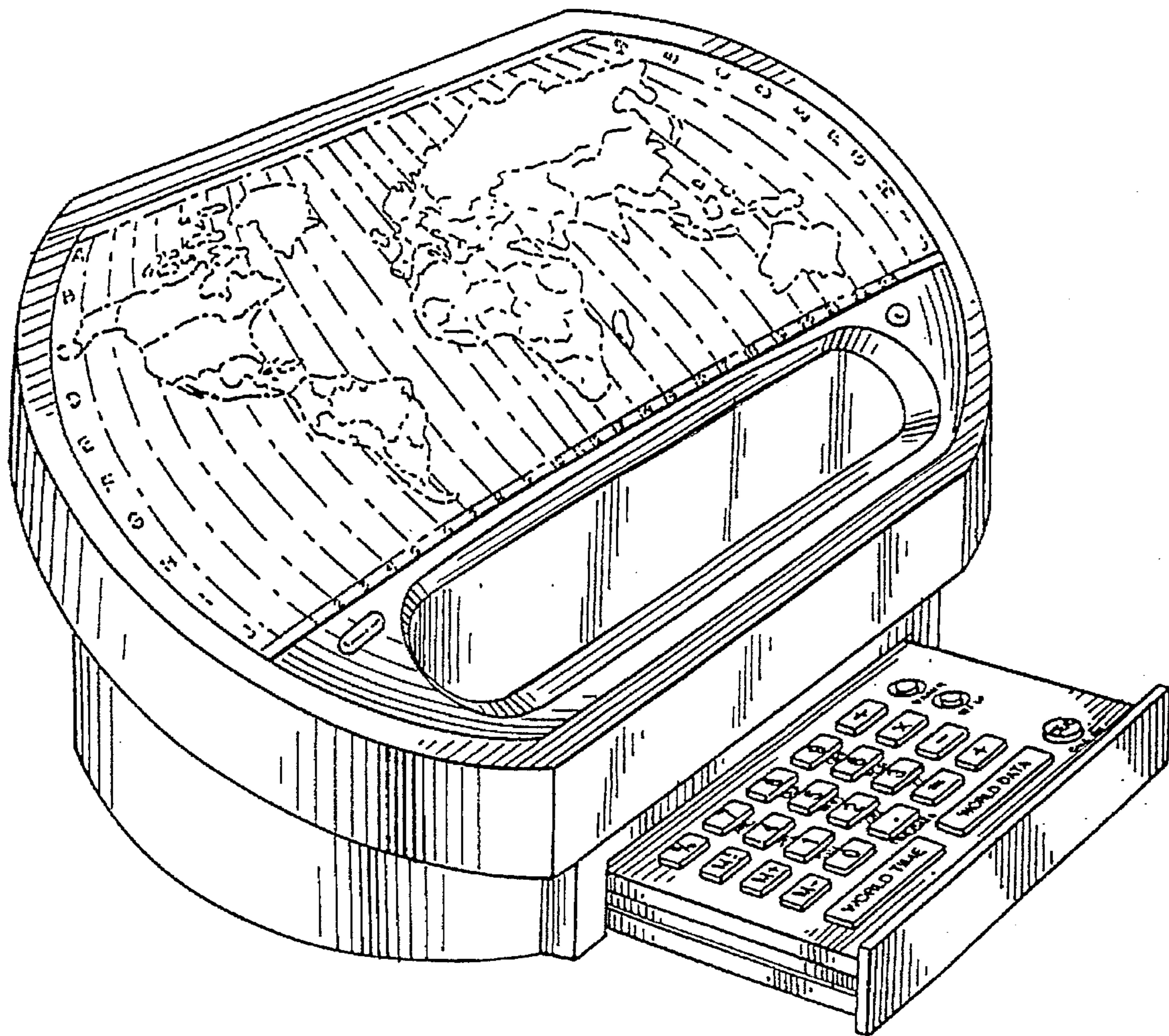


FIG. 9

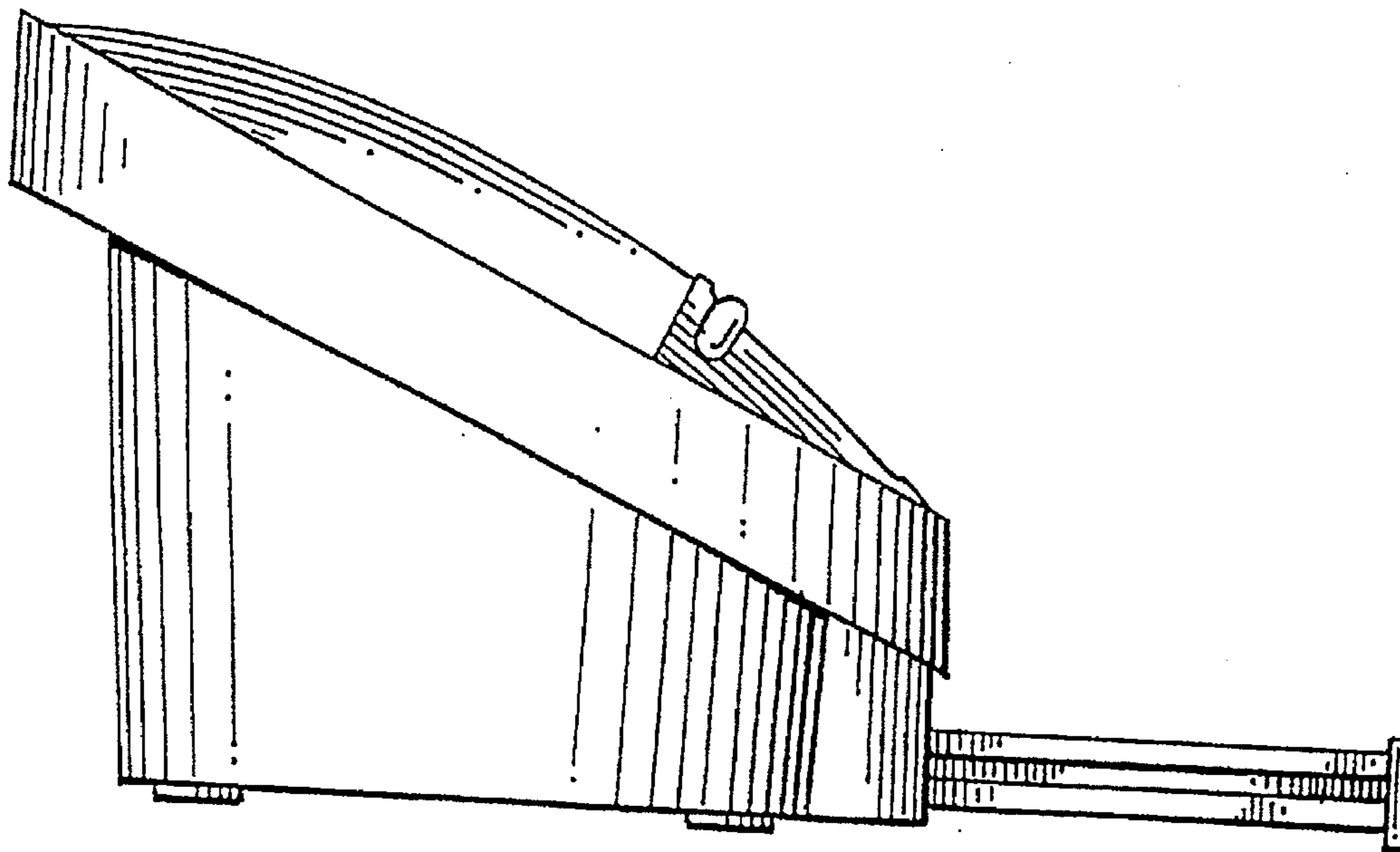


FIG. 10

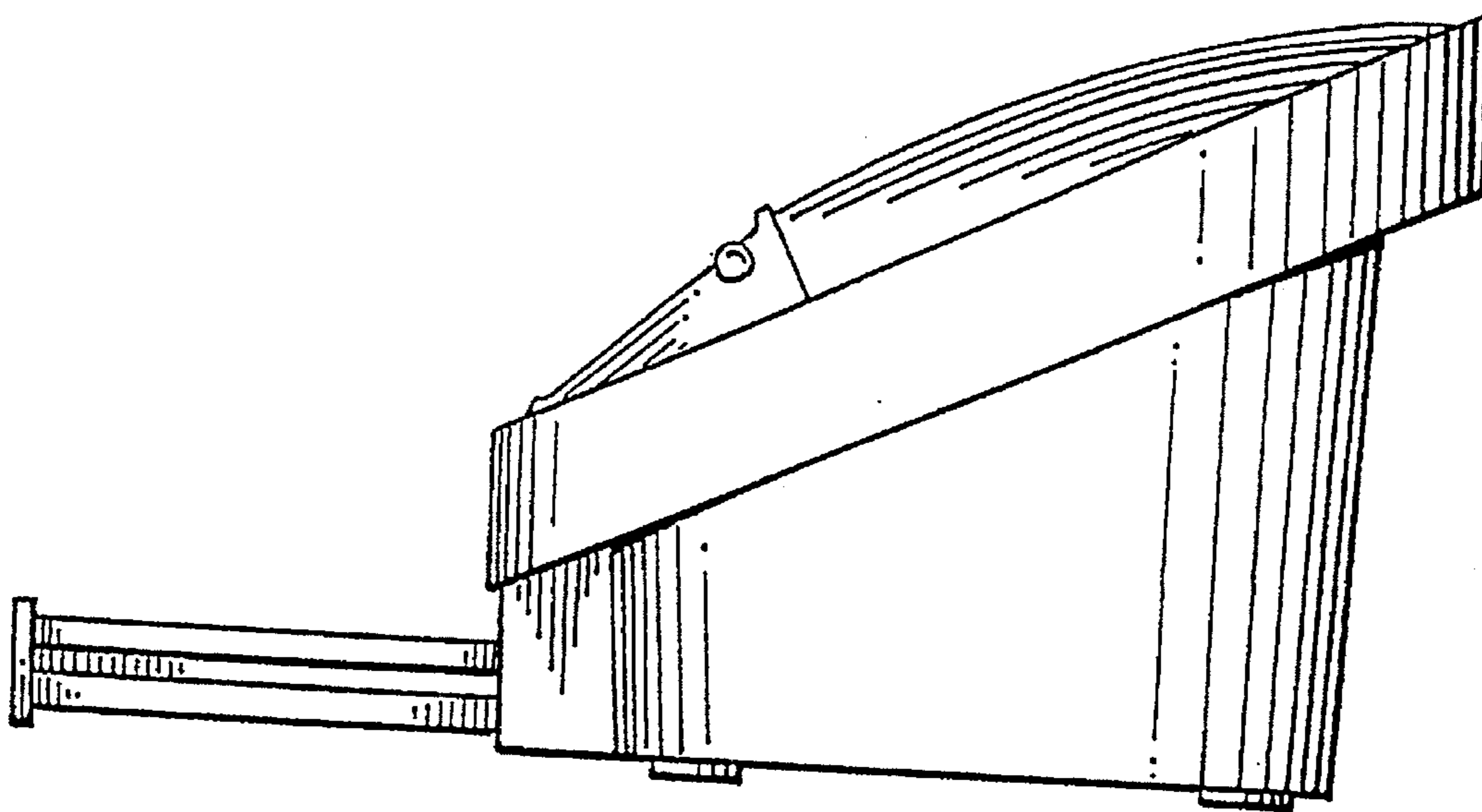


FIG. 11

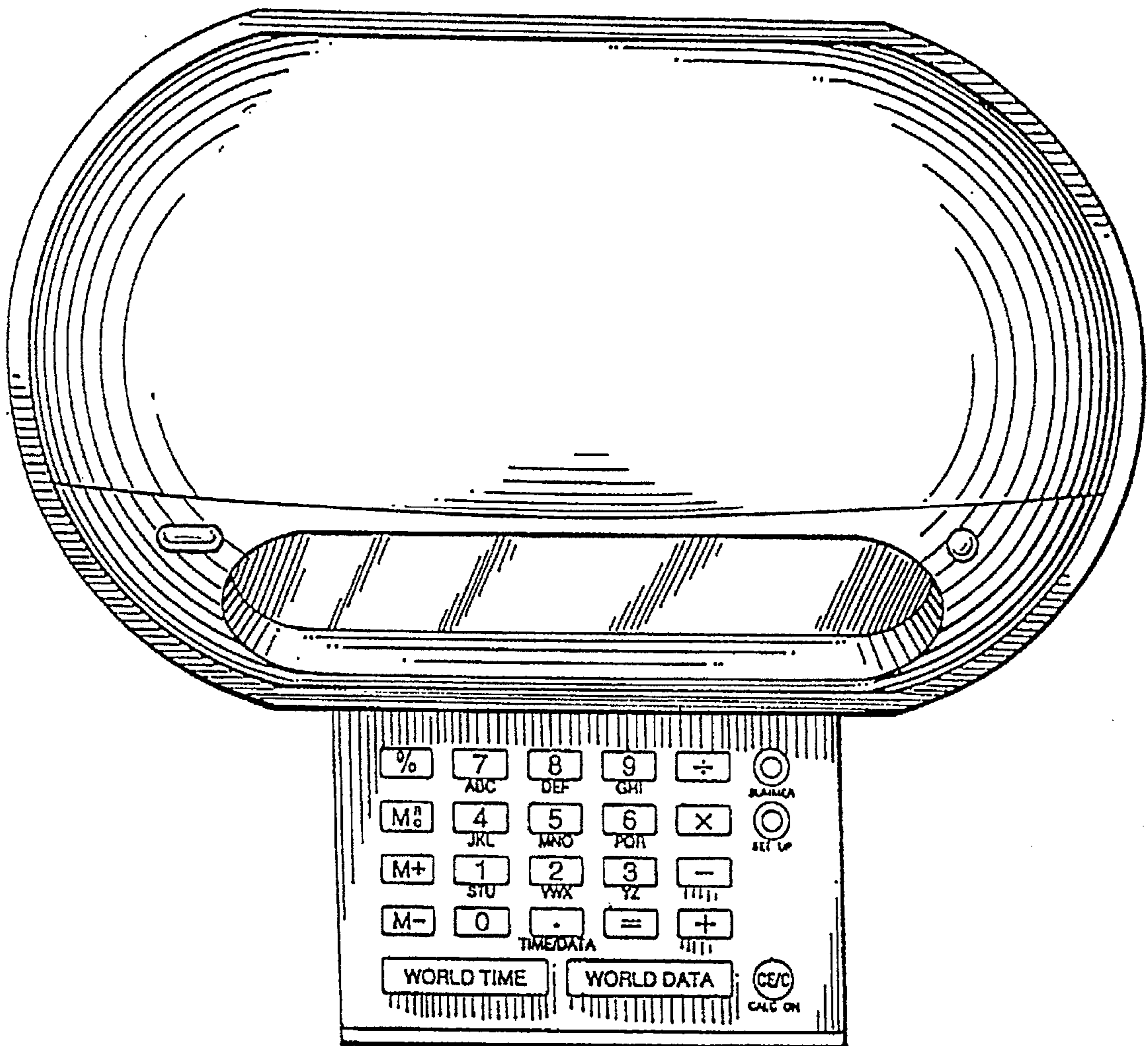


FIG. 12

