



US00D381579S

United States Patent [19]

Amundsen

[11] Patent Number: **Des. 381,579**

[45] Date of Patent: ****Jul. 29, 1997**

[54] **FLEXIBLE STORAGE AND TRANSPORT CONTAINER FOR LIQUIDS**

[75] Inventor: **Viggo Amundsen**, Nesoddtangen, Norway

[73] Assignee: **Ventura Holding AS**, Oslo, Norway

[**] Term: **14 Years**

[21] Appl. No.: **36,330**

[22] Filed: **Mar. 17, 1995**

[51] LOC (6) Cl. **09-07**

[52] U.S. Cl. **D9/417; D9/432**

[58] Field of Search D9/432, 424, 425, D9/416, 417, 337; D3/201, 202, 273, 905; 206/45.24, 762, 764, 765; 220/1.5, 631, 636, 628; 221/284, 285, 286, 282

[56] **References Cited**

U.S. PATENT DOCUMENTS

D. 297,619 9/1988 Cheval et al. D9/432 X

971,060	9/1910	Lynch	206/45.24
1,931,159	10/1933	Greene	221/286
3,342,368	9/1967	Matry	220/628
3,691,595	9/1972	Backteman et al.	220/1.5 X
4,214,669	7/1980	McQuiston	220/1.5 X
4,457,441	7/1984	McCloughan	220/628 X

Primary Examiner—Prabhakar G. Deshmukh
Attorney, Agent, or Firm—Bacon & Thomas

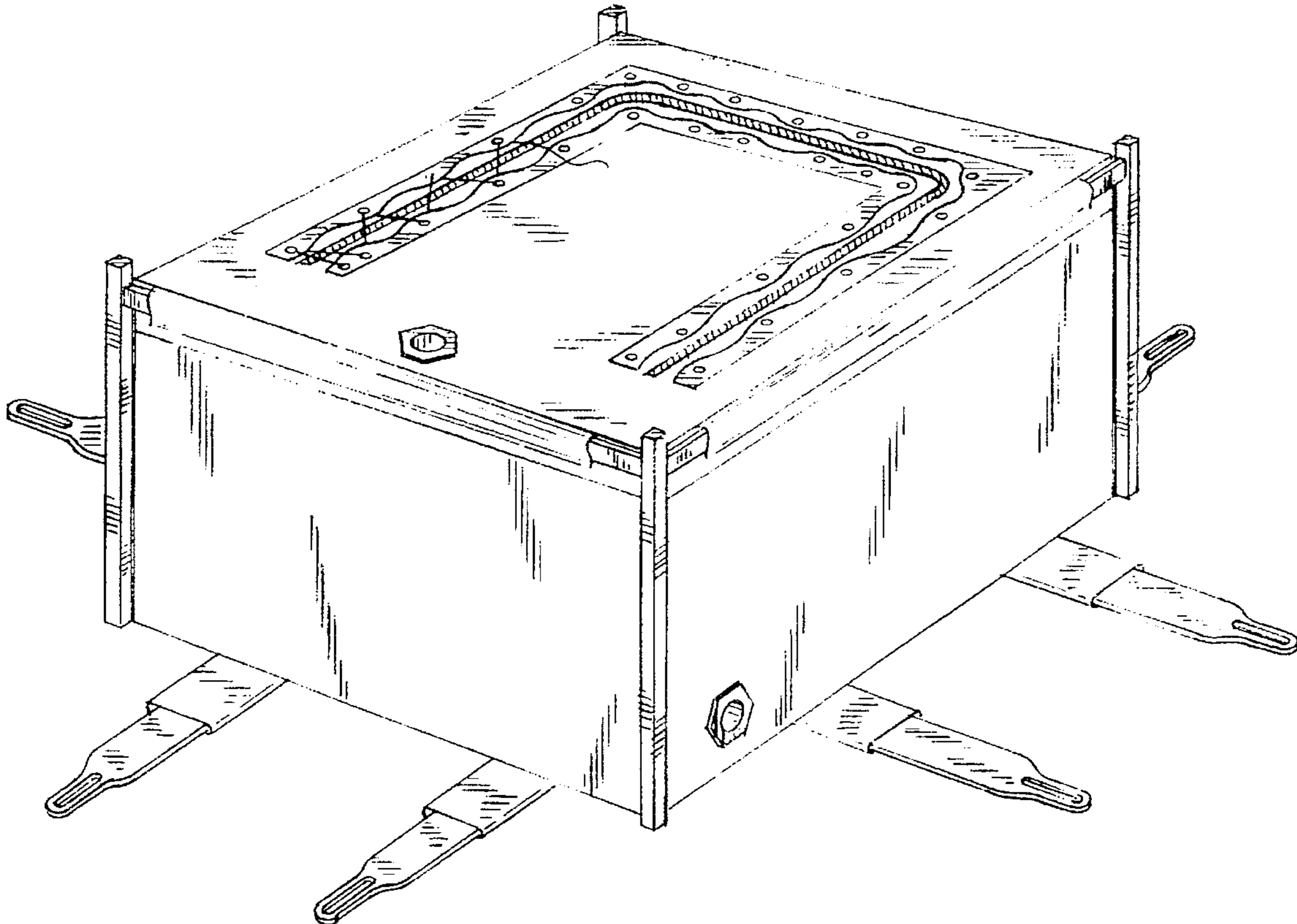
[57] **CLAIM**

The ornamental design for a flexible storage and transport container for liquids, as shown and described.

DESCRIPTION

FIG. 1 is a perspective view of a flexible storage and transport container for liquids showing my new design; FIG. 2 is a front elevational view thereof; FIG. 3 is a rear elevational view thereof; FIG. 4 is a left side elevational view thereof; FIG. 5 is a right side elevational view thereof; FIG. 6 is a top plan view thereof; and, FIG. 7 is a bottom plan view thereof.

1 Claim, 5 Drawing Sheets



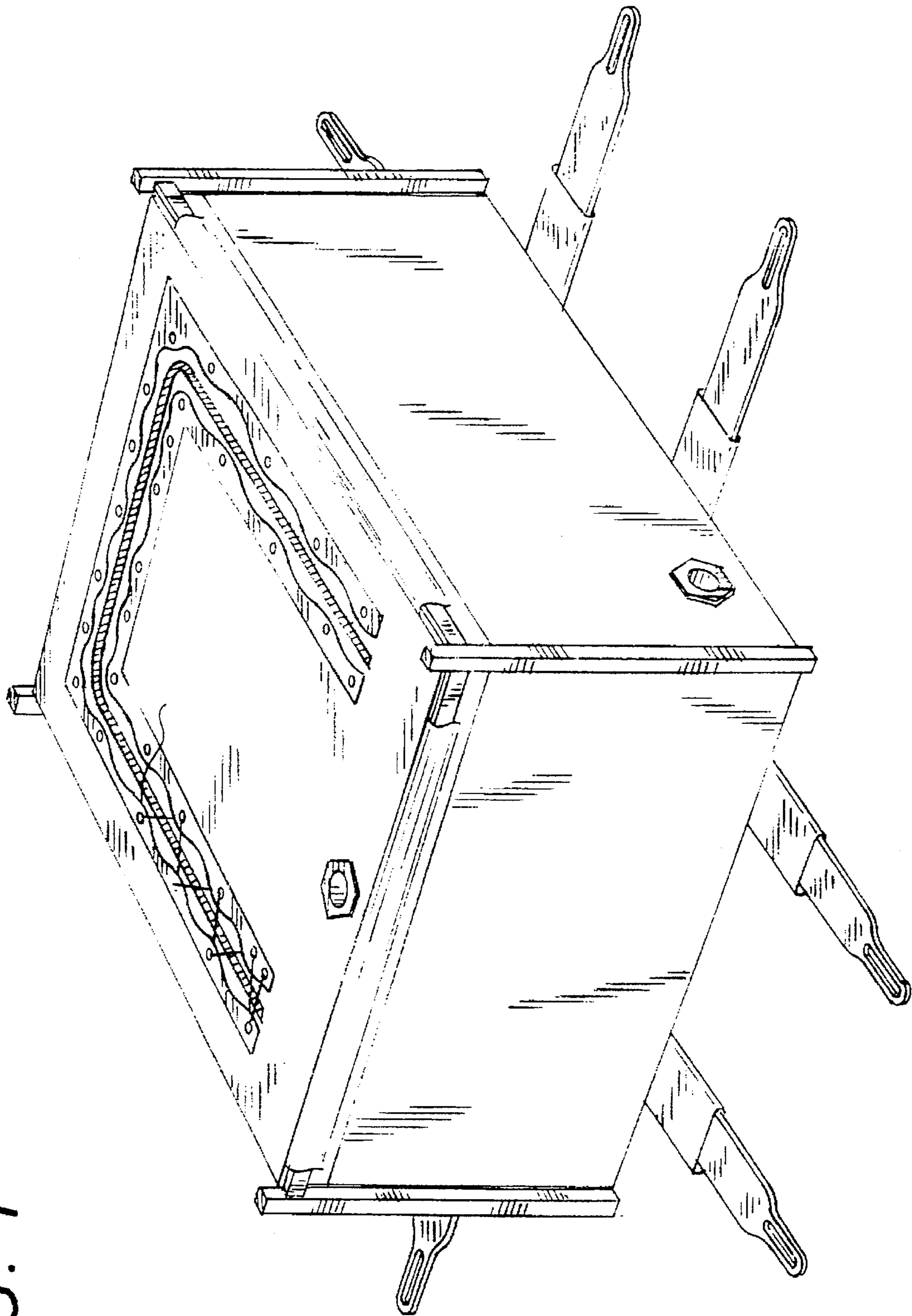


FIG. 1

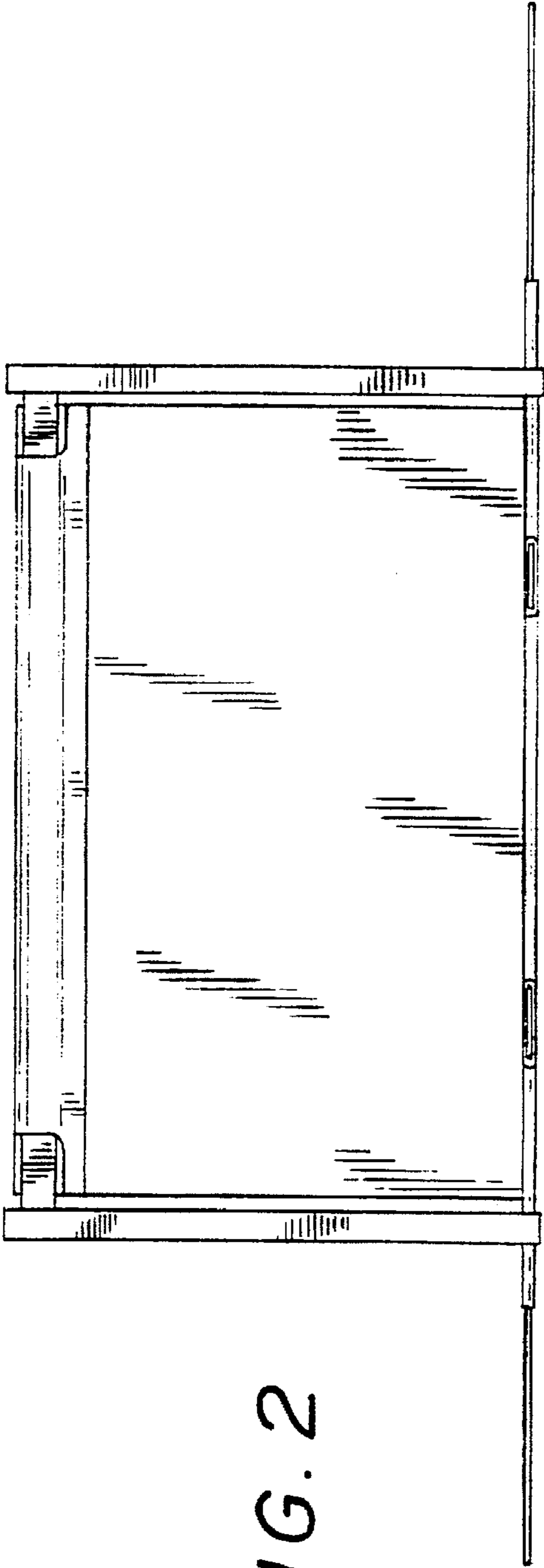


FIG. 2

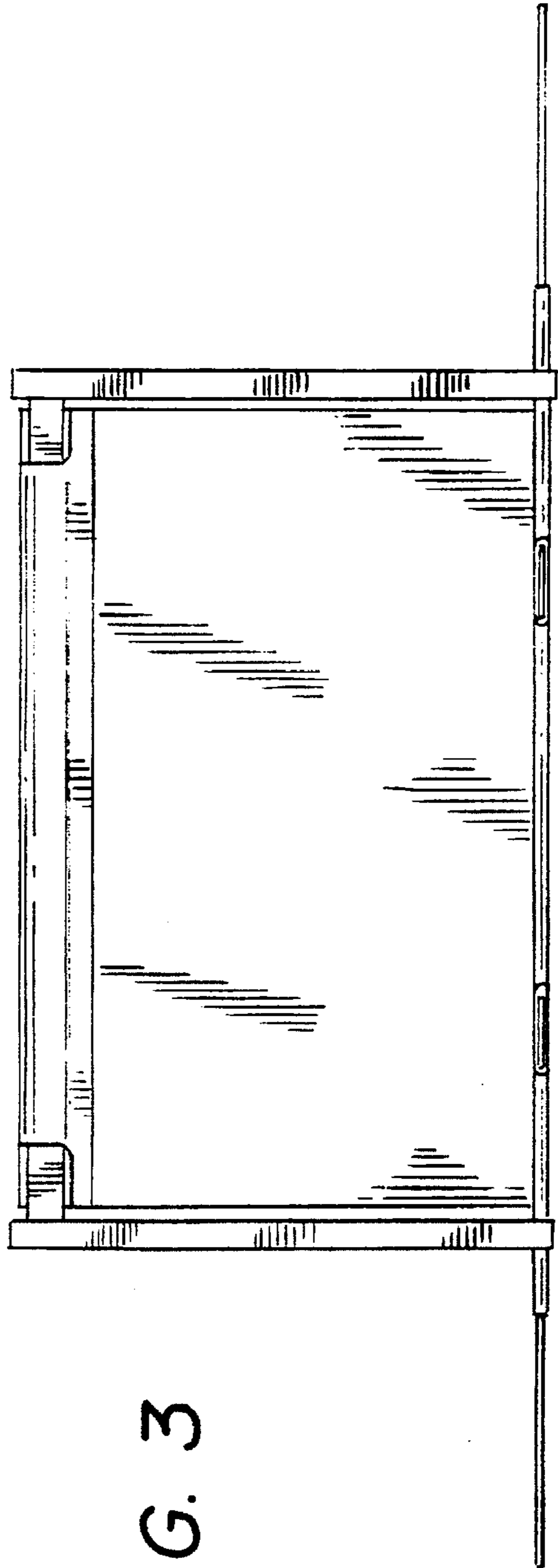


FIG. 3

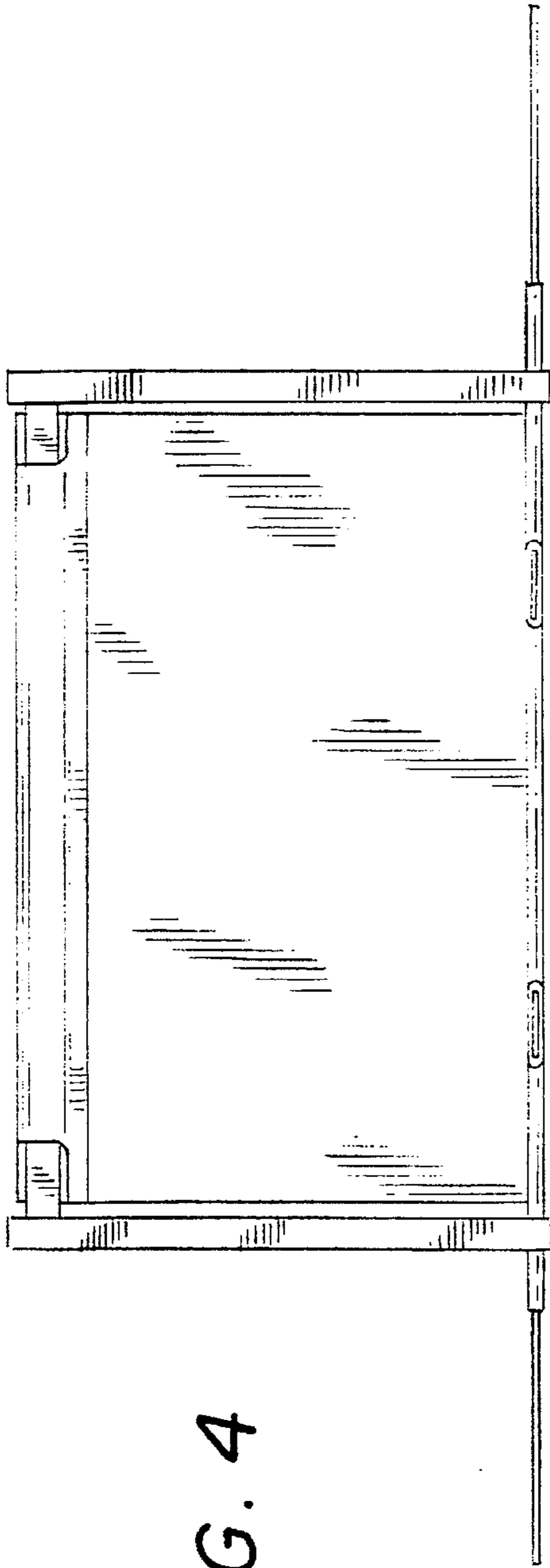


FIG. 4

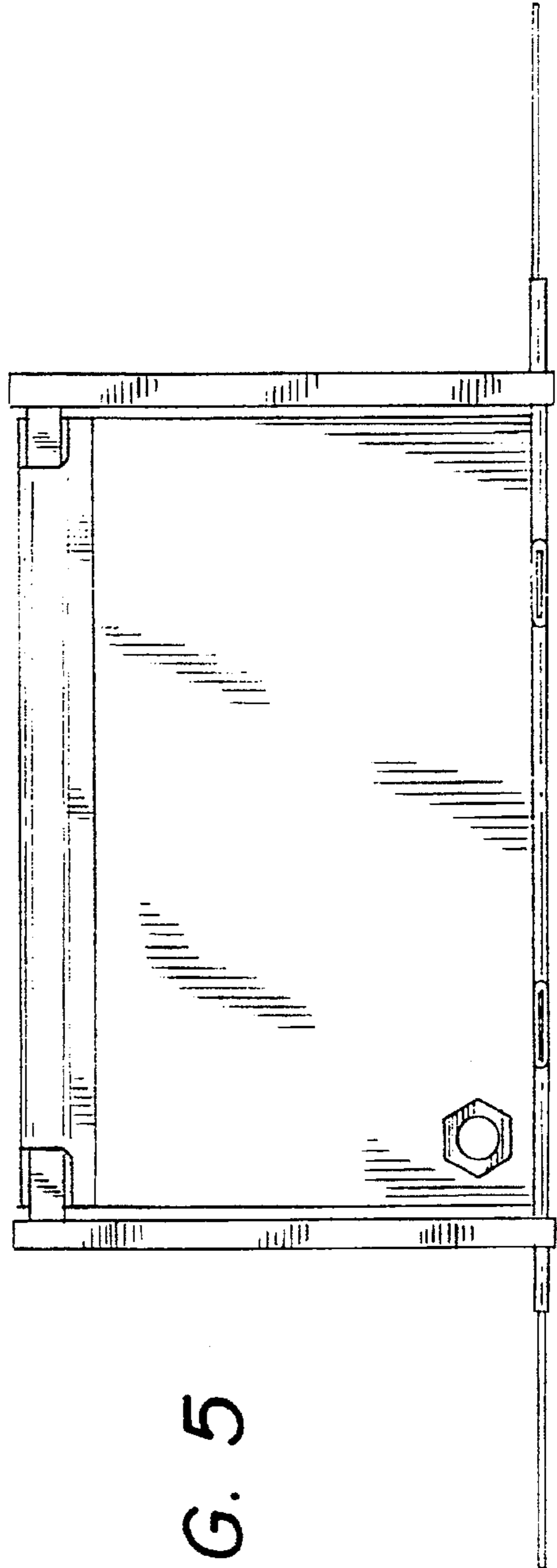


FIG. 5

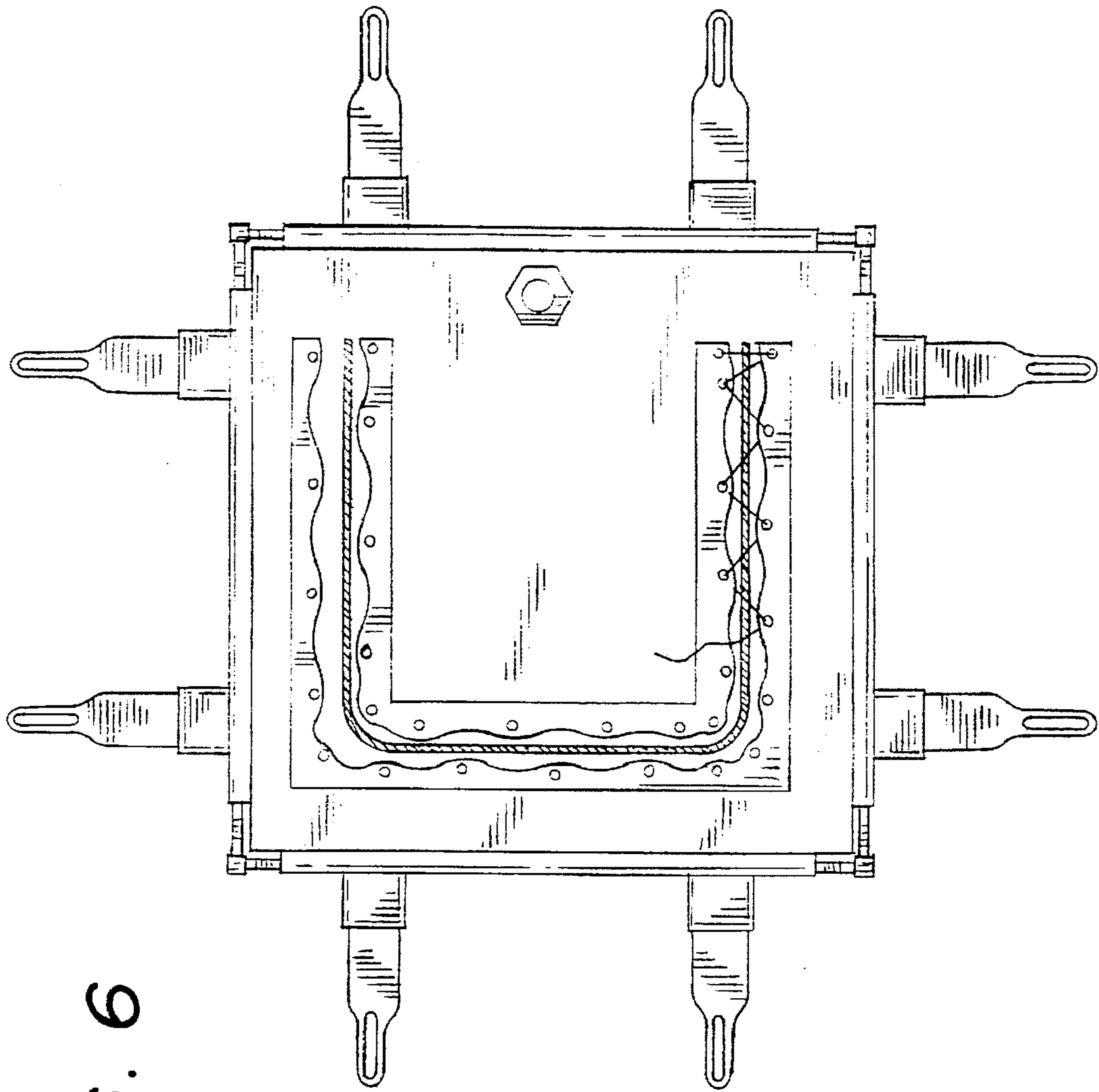


FIG. 6

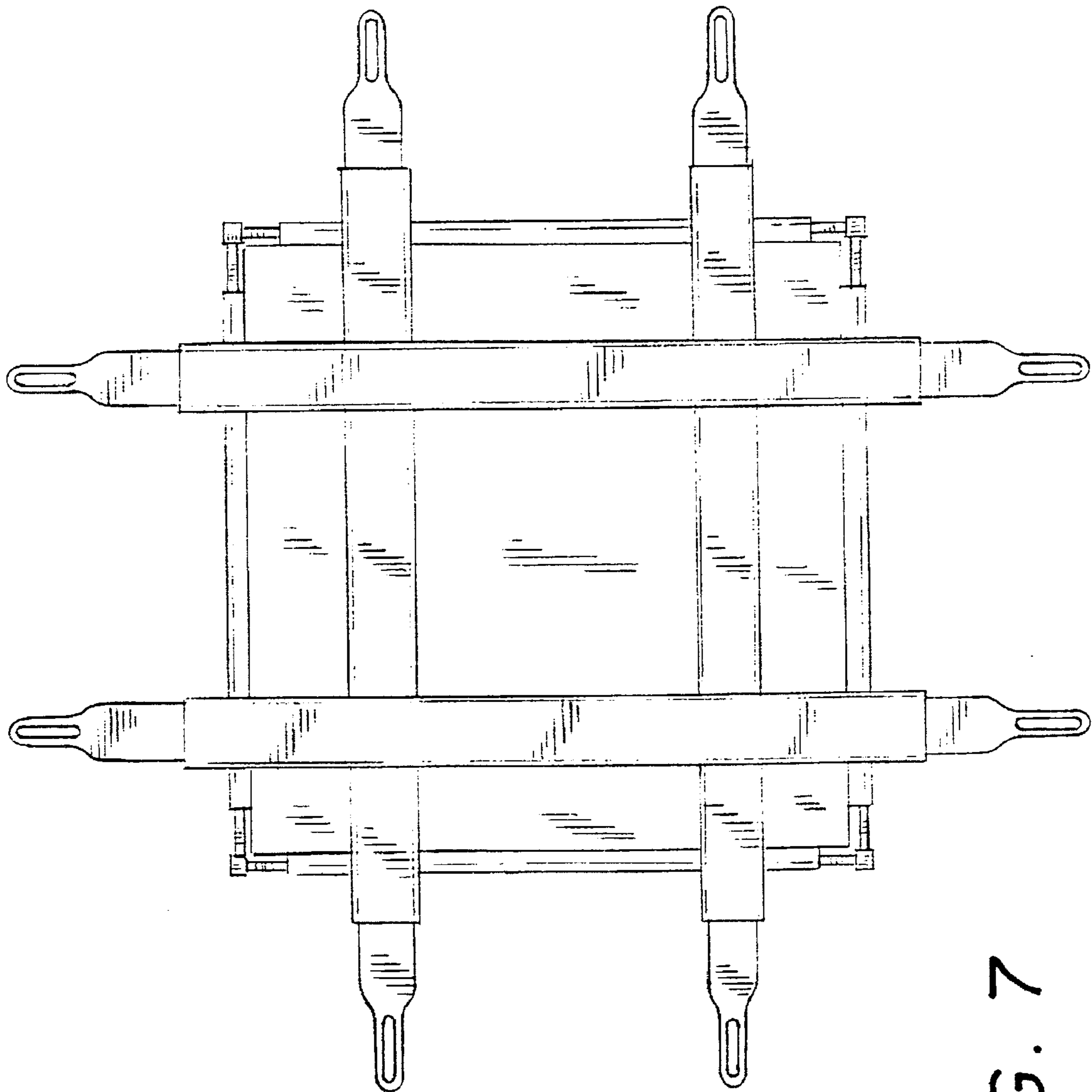


FIG. 7