



US00D381578S

United States Patent [19]

[11] Patent Number: **Des. 381,578**

Kuo

[45] Date of Patent: ****Jul. 29, 1997**

[54] **DISPLAY PACK**

D. 371,069	6/1996	Chapman et al.	D9/415 X
4,464,552	8/1984	Pawlowski	206/820 X
4,762,225	8/1988	Henkel	206/309 X

[76] Inventor: **Yung-Pin Kuo**, No. 55, Alley 121,
Lane 175, Kuo Shen Rd., Chang Hwa
City, Taiwan

Primary Examiner—Prabhakar G. Deshmukh
Attorney, Agent, or Firm—Bacon & Thomas

[**] Term: **14 Years**

[57] **CLAIM**

[21] Appl. No.: **52,347**

The ornamental design for a display pack, as shown and described.

[22] Filed: **Mar. 28, 1996**

DESCRIPTION

[51] LOC (6) Cl. **09-07**

[52] U.S. Cl. **D9/415**

[58] **Field of Search** D9/415, 418, 414,
D9/346, 456, 305, 306; 206/806, 820, 495,
461, 471, 389, 303, 307, 308.1, 308.2,
308.3

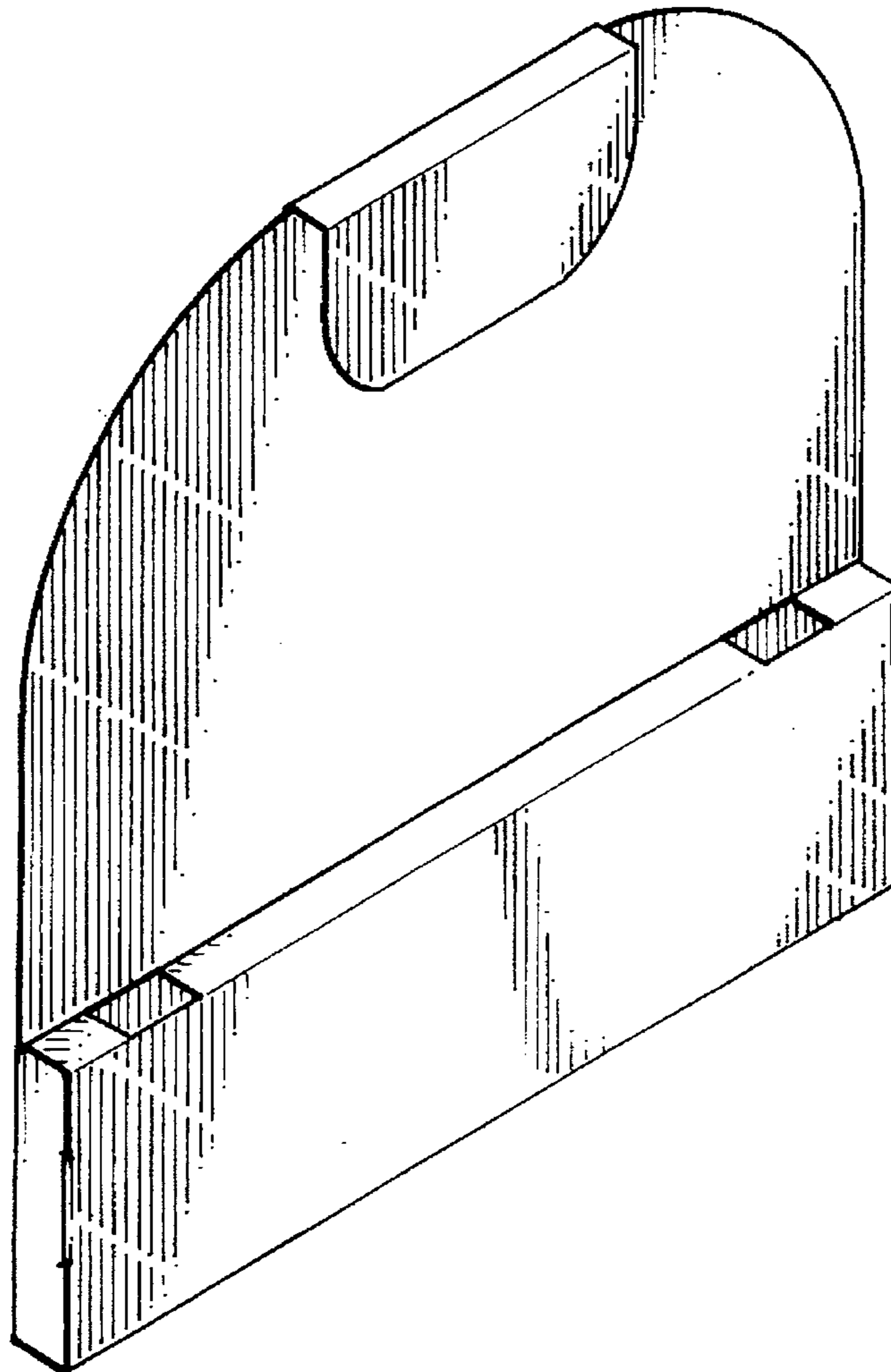
FIG. 1 is a front-left-top perspective view of a display pack showing my new design;
FIG. 2 is a front elevational view thereof;
FIG. 3 is a rear elevational view thereof;
FIG. 4 is a left elevational view thereof, the opposite side being a mirror image;
FIG. 5 is a top plane view thereof;
FIG. 6 is a bottom plane view thereof, and,
FIG. 7 is a perspective view thereof; with a cable shown in broken lines for illustrative purpose only and forms no part of the claim.

[56] **References Cited**

U.S. PATENT DOCUMENTS

D. 272,805	2/1984	Johnsen	D9/415
D. 329,015	9/1992	Stoyanoff	D9/415 X
D. 338,401	8/1993	Williams	D9/415
D. 350,479	9/1994	Livezey	D9/415
D. 370,174	5/1996	Bergstedt	D9/415

1 Claim, 3 Drawing Sheets



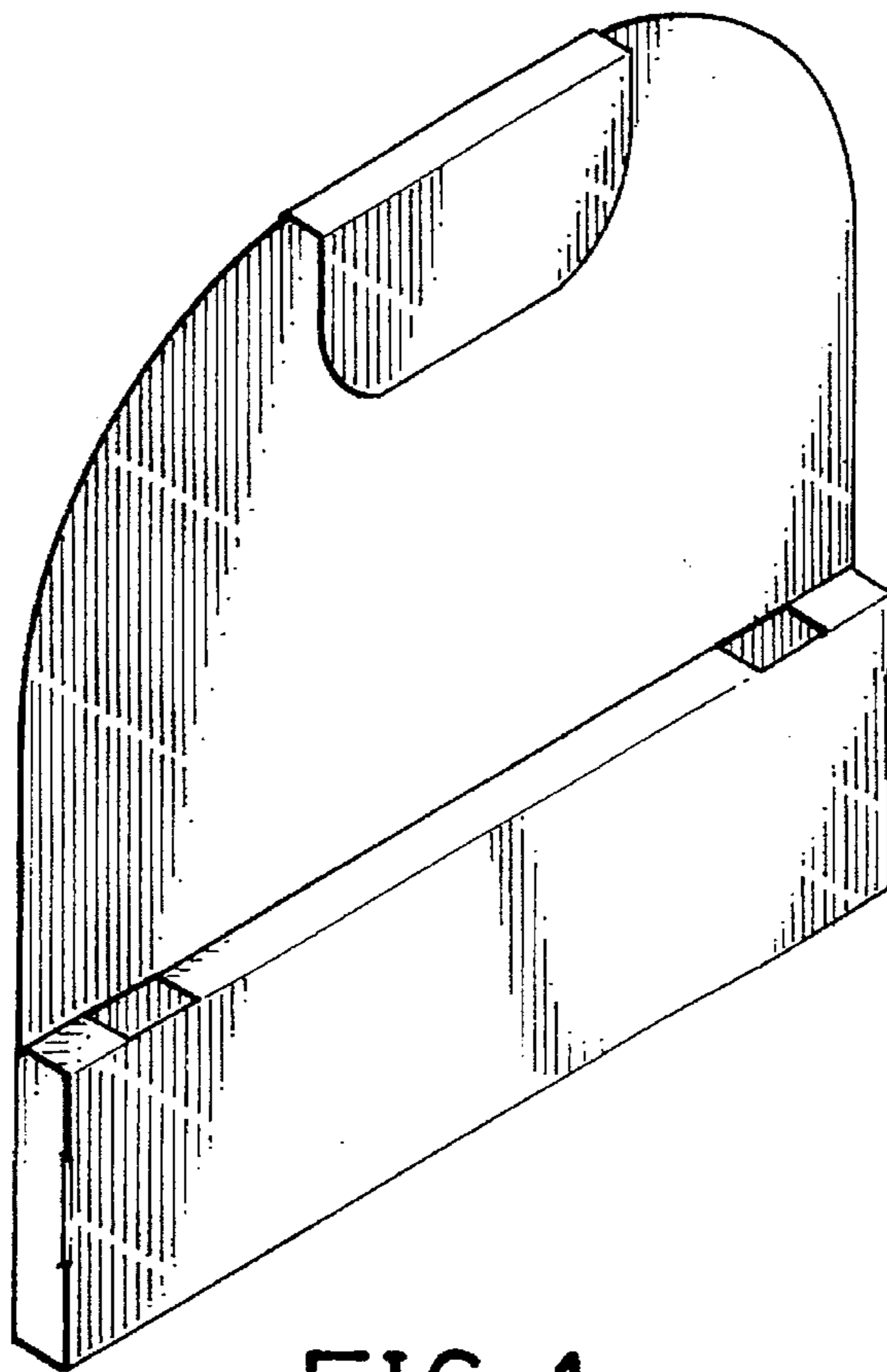


FIG 1

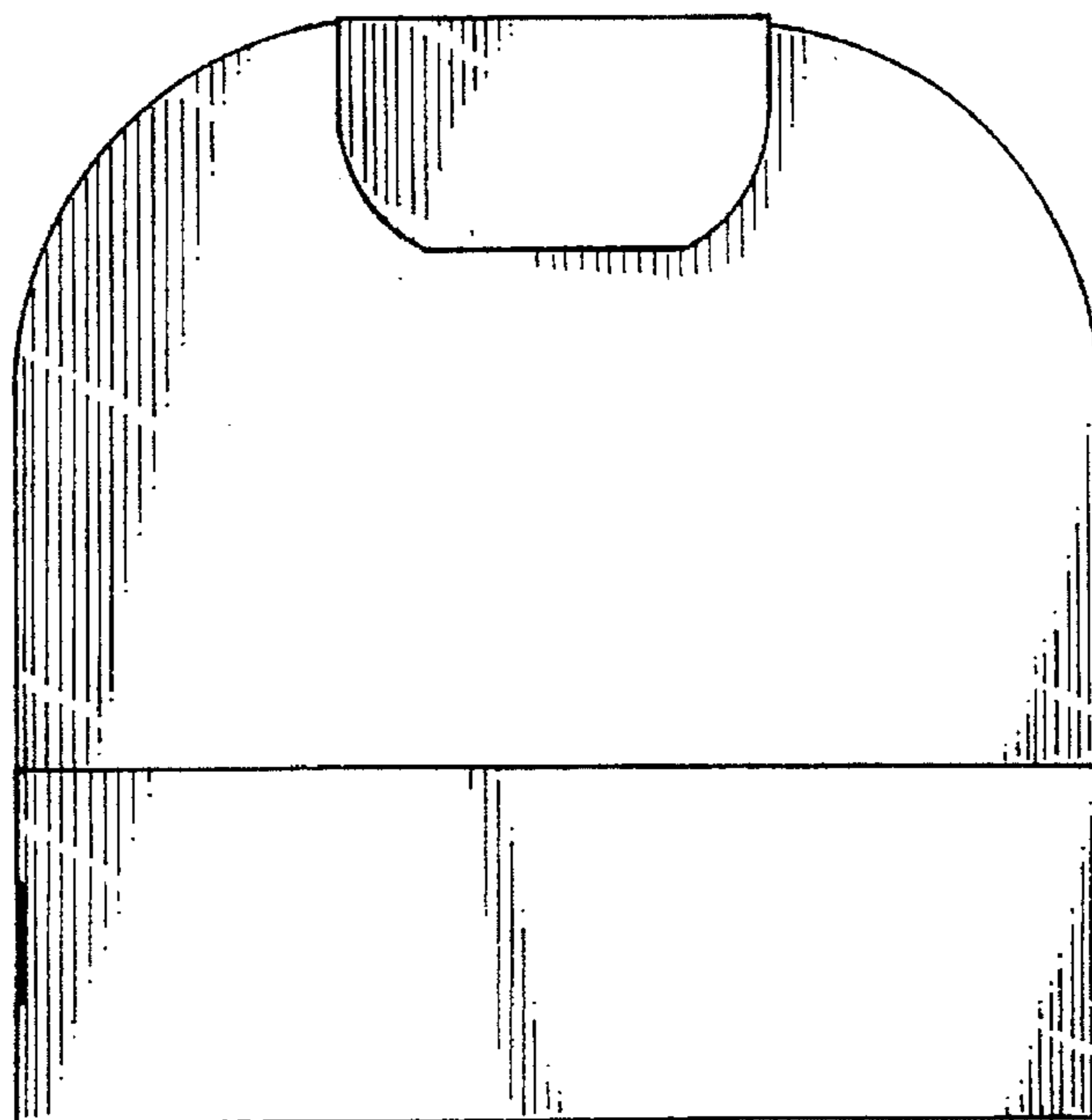


FIG. 2



FIG. 4

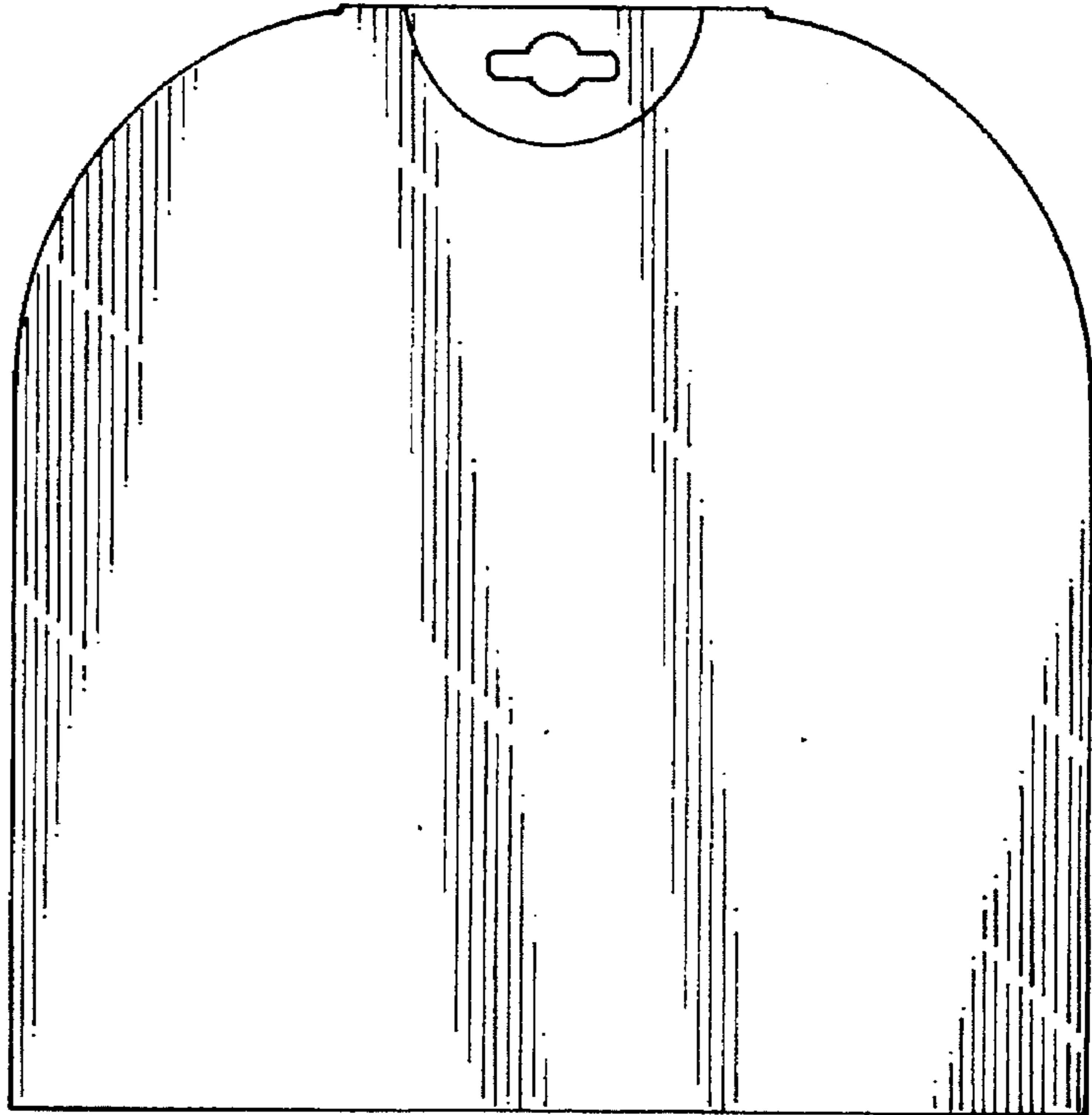


FIG. 3



FIG. 5



FIG. 6

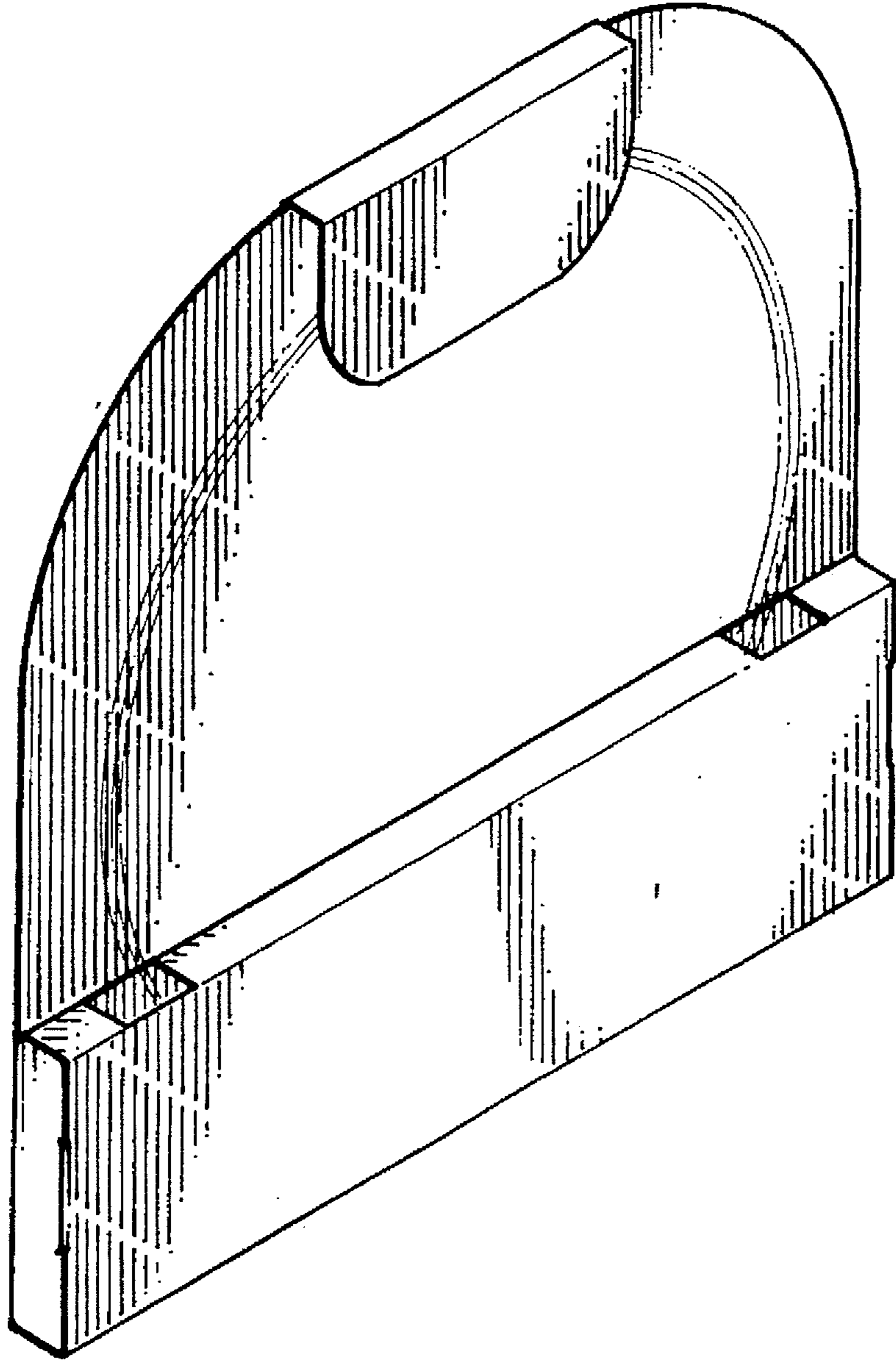


FIG. 7