



US00D381575S

United States Patent [19]

[11] Patent Number: **Des. 381,575**

Mahlmann

[45] Date of Patent: ****Jul. 29, 1997**

[54] CONTAINER

[75] Inventor: **Veit Mahlmann**, Hamburg, Germany

[73] Assignee: **Wella Aktiengesellschaft**, Darmstadt, Germany

[**] Term: **14 Years**

[21] Appl. No.: **53,378**

[22] Filed: **Apr. 19, 1996**

[30] Foreign Application Priority Data

Oct. 30, 1995 [DE] Germany 95 08 577.7

[51] LOC (6) Cl. **09-01**

[52] U.S. Cl. **D9/300; D9/522; D9/530**

[58] Field of Search D9/300, 337, 448, D9/447, 503, 504, 522, 545, 530, 551, 543, 573-575; 215/379; 222/402.1, 321.7, 321.9

[56] References Cited

U.S. PATENT DOCUMENTS

- D. 16,864 8/1886 Hurley D9/500 X
- D. 189,373 11/1960 Lemer 215/383 X
- D. 204,027 3/1966 Cornelius D9/500
- D. 258,348 2/1981 Hoyt D9/529 X

- D. 280,801 10/1985 Yoshimura 39/522
- D. 308,334 6/1990 Gormley et al. D9/549
- D. 365,020 12/1995 Dinand D9/300
- 3,124,275 3/1964 Lake D9/301 X
- 4,940,170 7/1990 Popp-Ginsbach 222/402.1
- 5,052,567 10/1991 Colani 215/384

Primary Examiner—Prabhakar G. Deshmukh
Assistant Examiner—Cheri Cohen
Attorney, Agent, or Firm—Michael J. Striker

[57] CLAIM

The ornamental design for a container, as shown and described.

DESCRIPTION

FIG. 1 is a perspective view of a container showing my new design;
 FIG. 2 is a rear elevational view thereof;
 FIG. 3 is a bottom plan view thereof;
 FIG. 4 is a top plan view thereof;
 FIG. 5 is a front elevation view thereof; and,
 FIG. 6 is a side elevation view thereof, the opposite side being a mirror image.
 The broken line showing of the spray pump in FIG. 1 is for illustrative purposes only and forms no part of the claimed design.

1 Claim, 2 Drawing Sheets

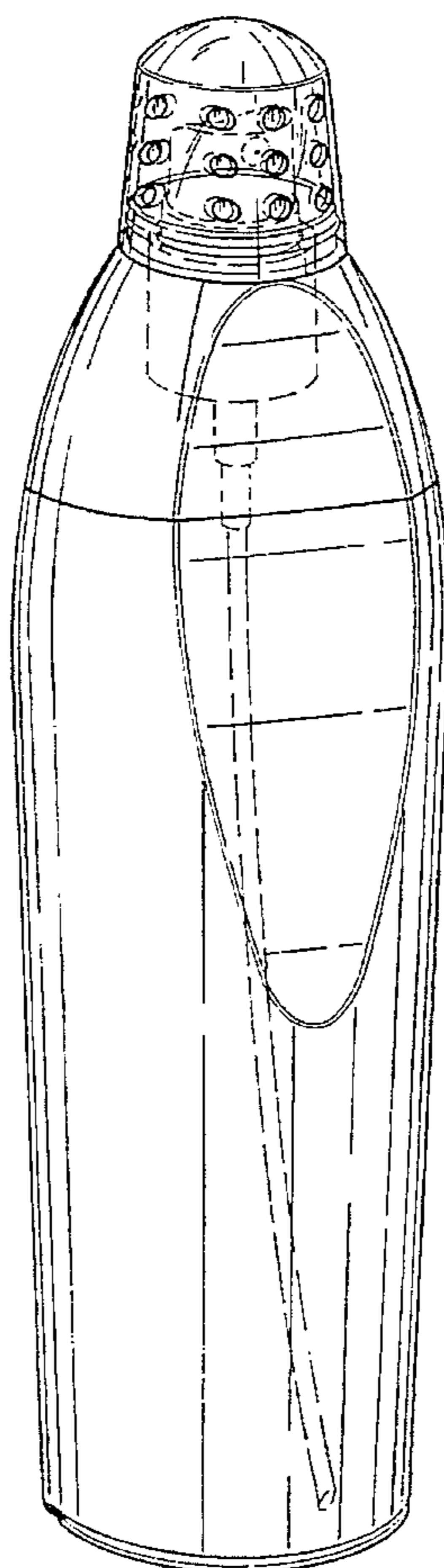


FIG. 1

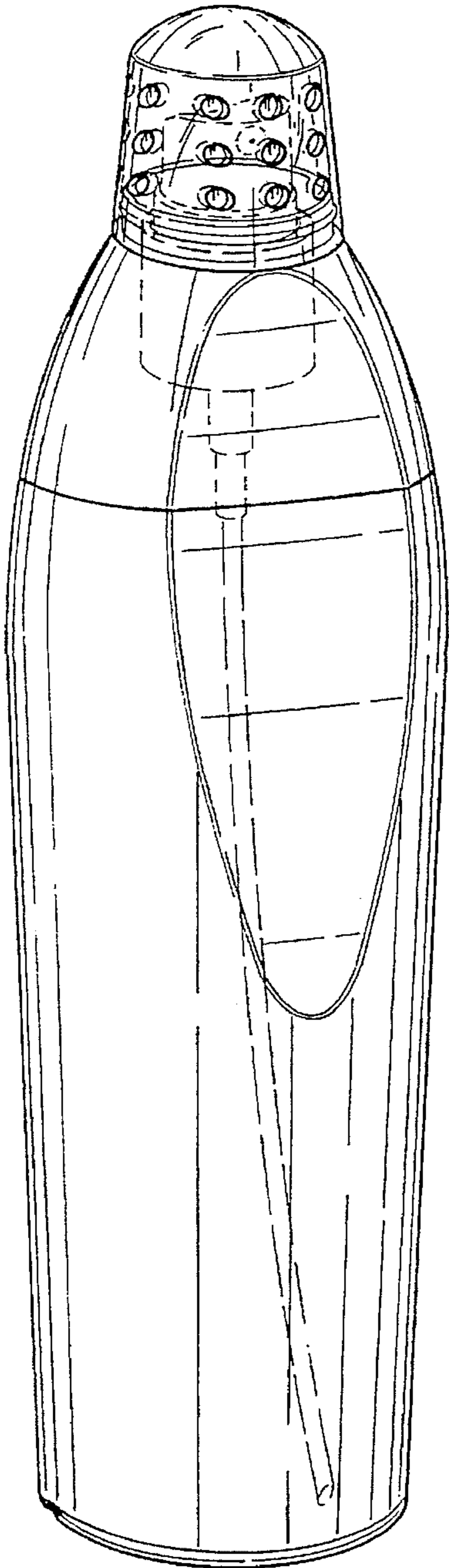


FIG. 2

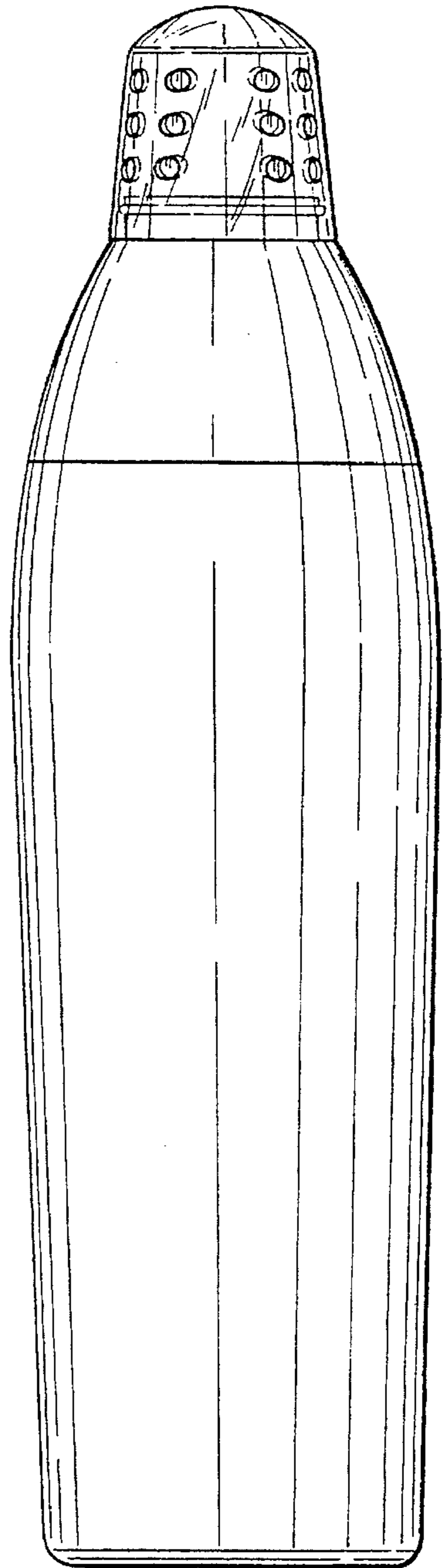


FIG. 3

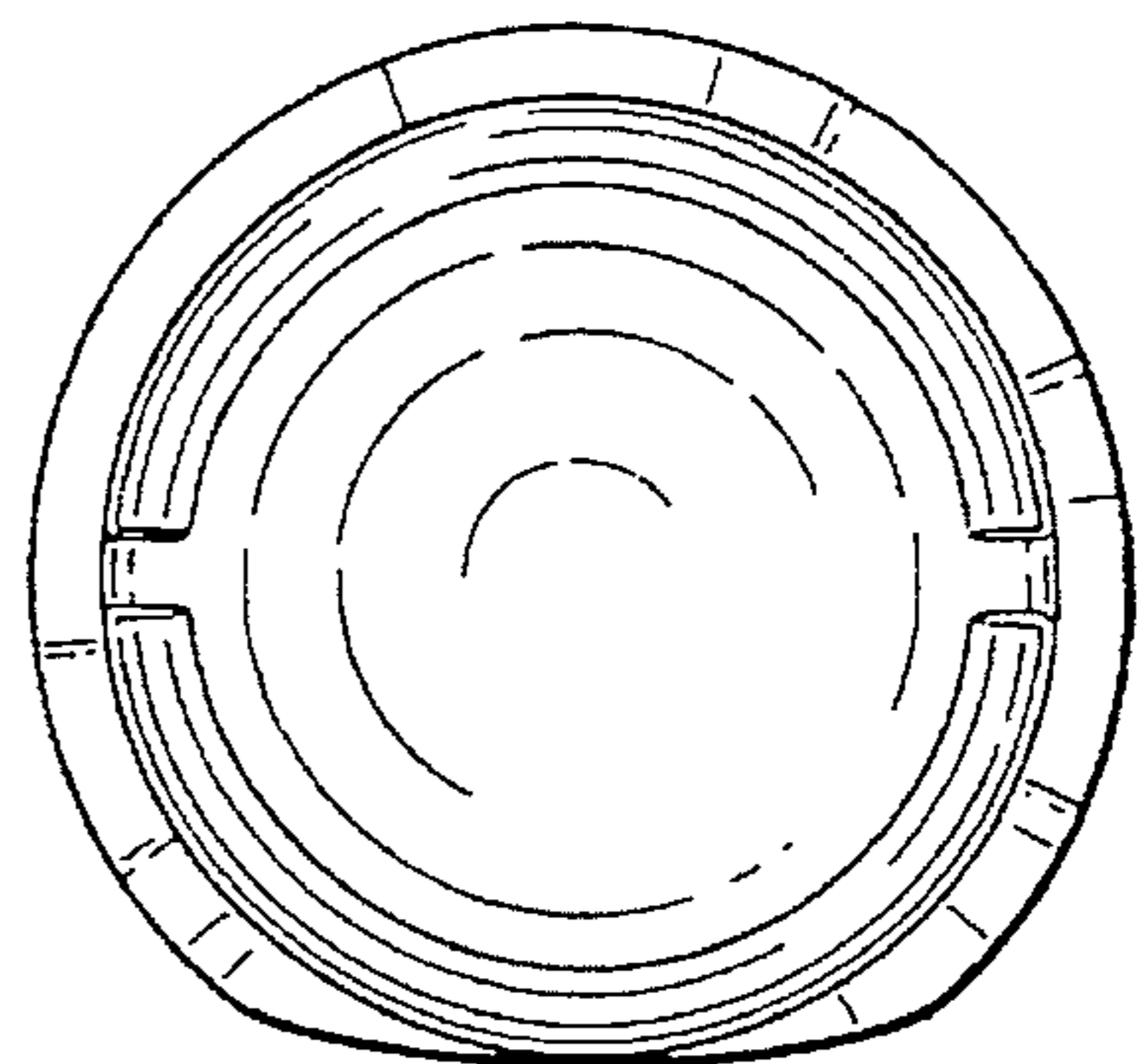


FIG. 4

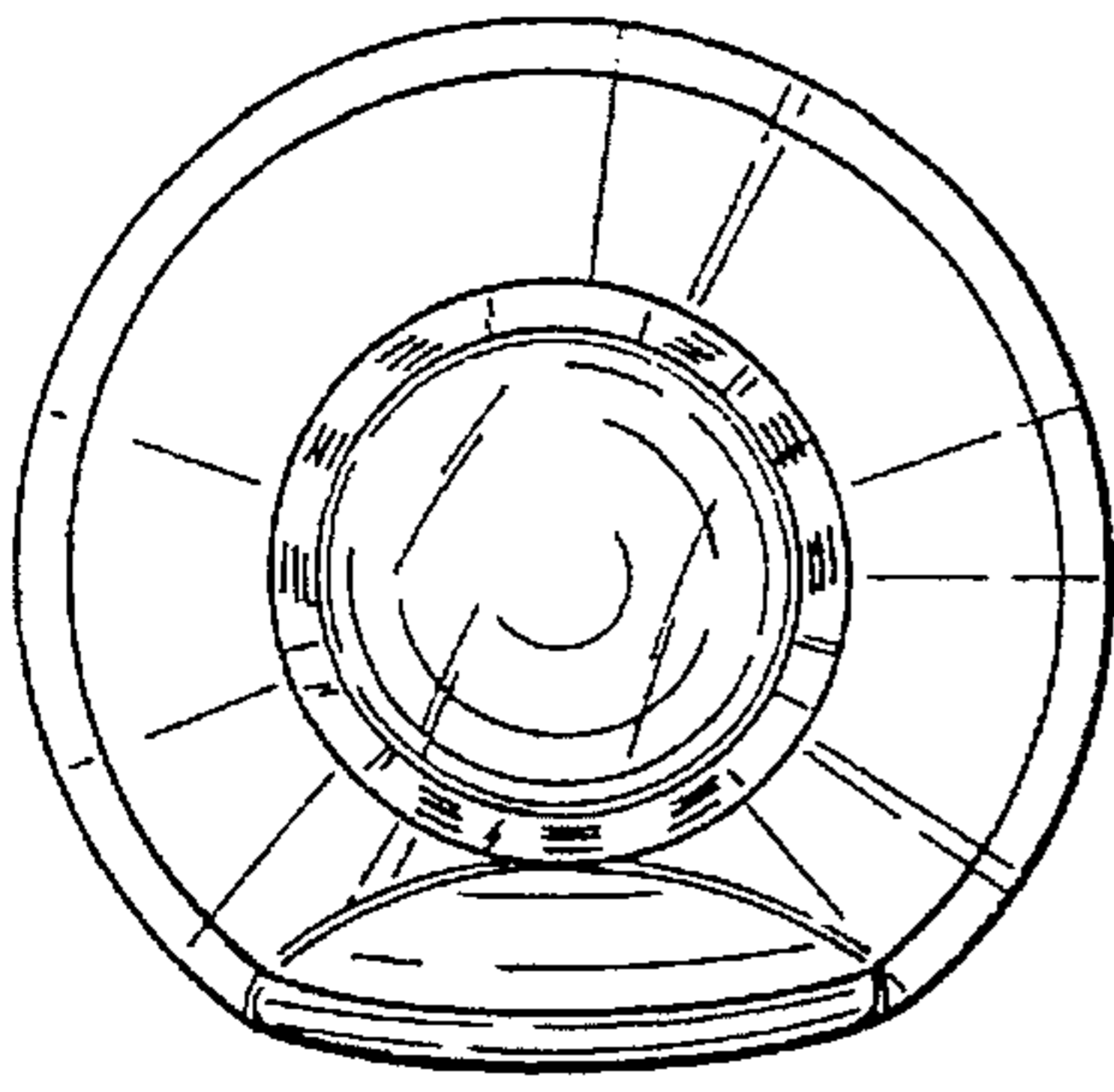


FIG. 5

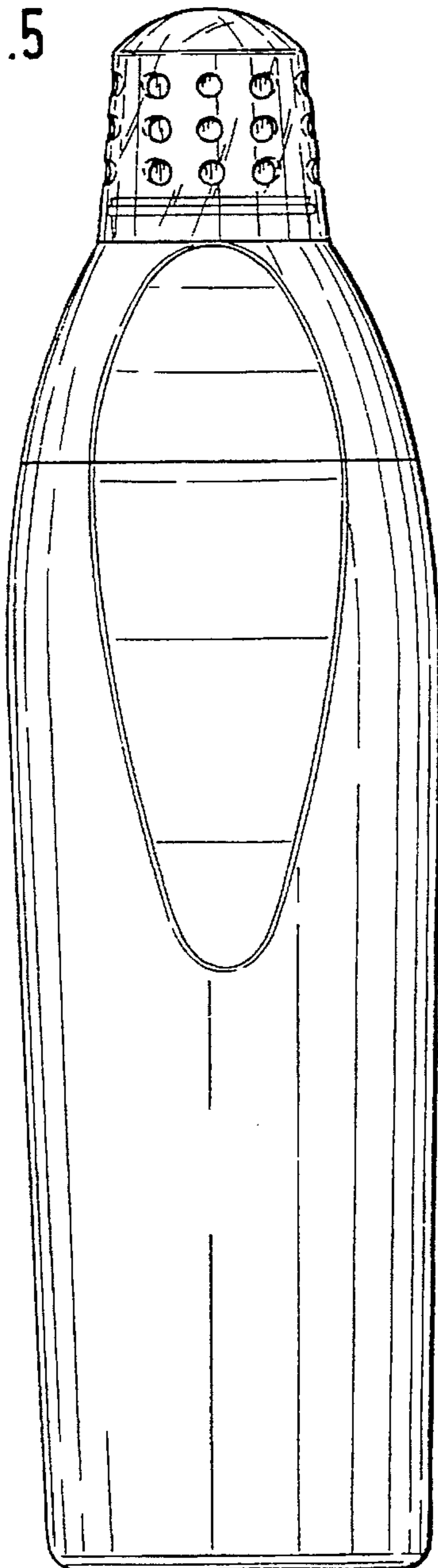


FIG. 6

