

US00D381571S

# United States Patent [19]

[11] Patent Number: **Des. 381,571**

Wu

[45] Date of Patent: **\*\*Jul. 29, 1997**

[54] **SPACER FOR SEPARATING A RUBBER SEAL FROM A VEHICLE WINDOW GLASS TO BE USED BY TRAFFIC CONSTABLES**

|           |         |                 |       |             |
|-----------|---------|-----------------|-------|-------------|
| 2,717,472 | 9/1955  | Wilmington      | ..... | 248/206.2   |
| 4,779,829 | 10/1988 | Rocke et al.    | ..... | 248/206.2   |
| 4,919,986 | 4/1990  | Lay et al.      | ..... | 248/206.2 X |
| 5,033,357 | 7/1991  | Seksaria et al. | ..... | 89/36.04    |

[76] Inventor: **Kuo-Shen Wu**, No. 10, Alley 14, Lane 74, Pa Te Road, Sec. 3, Taipei, Taiwan

### OTHER PUBLICATIONS

[\*\*] Term: **14 Years**

Dexter Lock Catalog, Aug. 11, 1987, p. 50 door knob located near middle of page.

[21] Appl. No.: **40,645**

*Primary Examiner*—Holly Baynham  
*Attorney, Agent, or Firm*—Ladas & Parry

[22] Filed: **Jun. 19, 1995**

### [57] CLAIM

### Related U.S. Application Data

The ornamental design for a spacer for separating a rubber seal from a vehicle window glass to be used by traffic constables, as shown and described.

[63] Continuation of Ser. No. 37,737, Apr. 19, 1995.

[51] LOC (6) Cl. .... **08-08**

### DESCRIPTION

[52] U.S. Cl. .... **D8/354**

[58] Field of Search ..... D8/354, 310, 352;  
248/205.5, 206.2, 206.1, 205.7, 205.9; 89/36.04;  
296/96.21

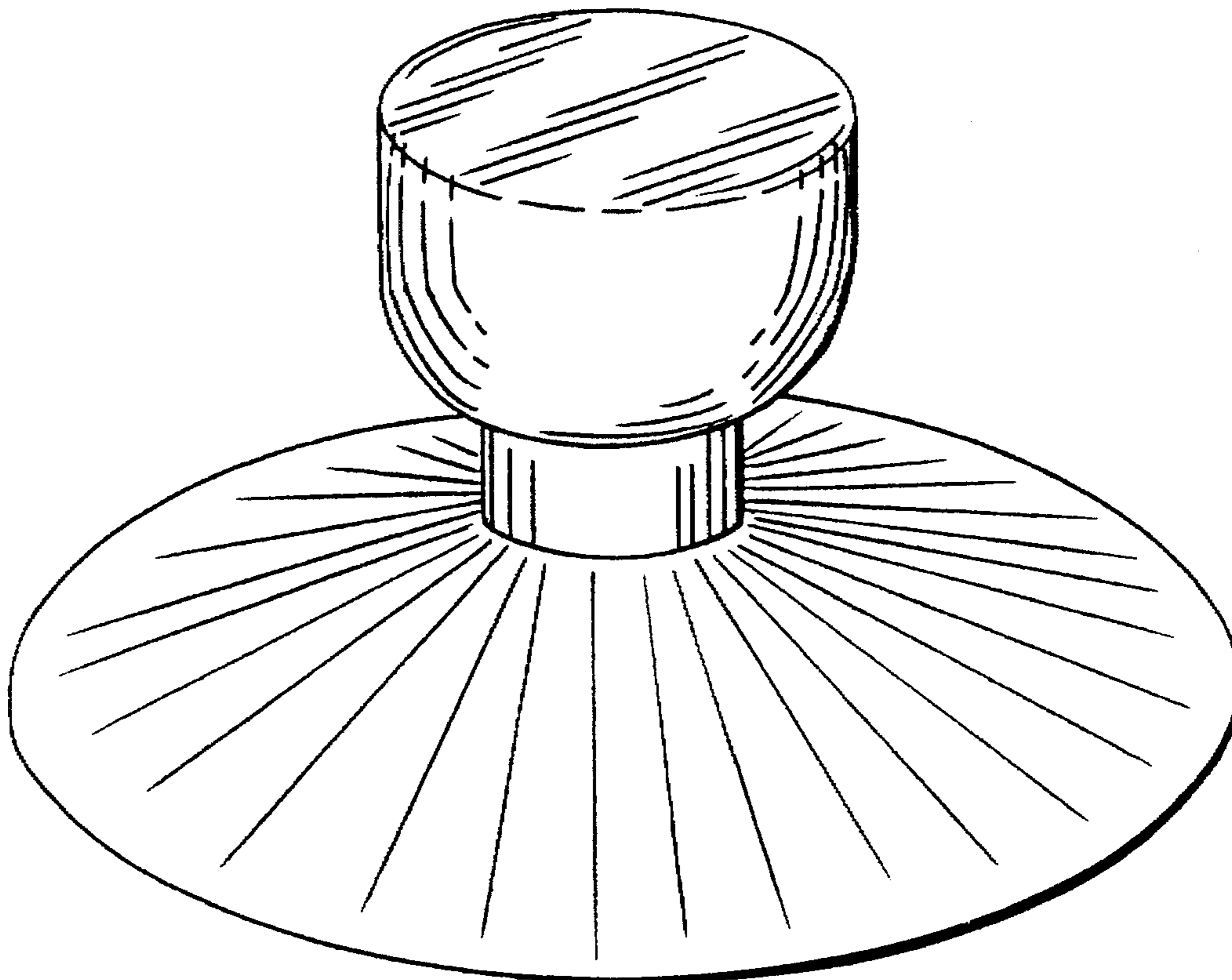
FIG. 1 is a perspective view of a spacer for separating a rubber seal from a vehicle window glass to be used by traffic constables showing my new design;  
FIG. 2 is a top plan view thereof;  
FIG. 3 is a front elevational view thereof with the adjacent and opposite sides being identical in appearance; and,  
FIG. 4 is a bottom plan view thereof.

### [56] References Cited

#### U.S. PATENT DOCUMENTS

|            |        |         |       |           |
|------------|--------|---------|-------|-----------|
| D. 195,479 | 6/1963 | Denker  | ..... | D8/352 X  |
| D. 332,390 | 1/1993 | Adams   | ..... | D8/373    |
| 2,045,672  | 6/1936 | Oliveri | ..... | 248/205.5 |

**1 Claim, 2 Drawing Sheets**



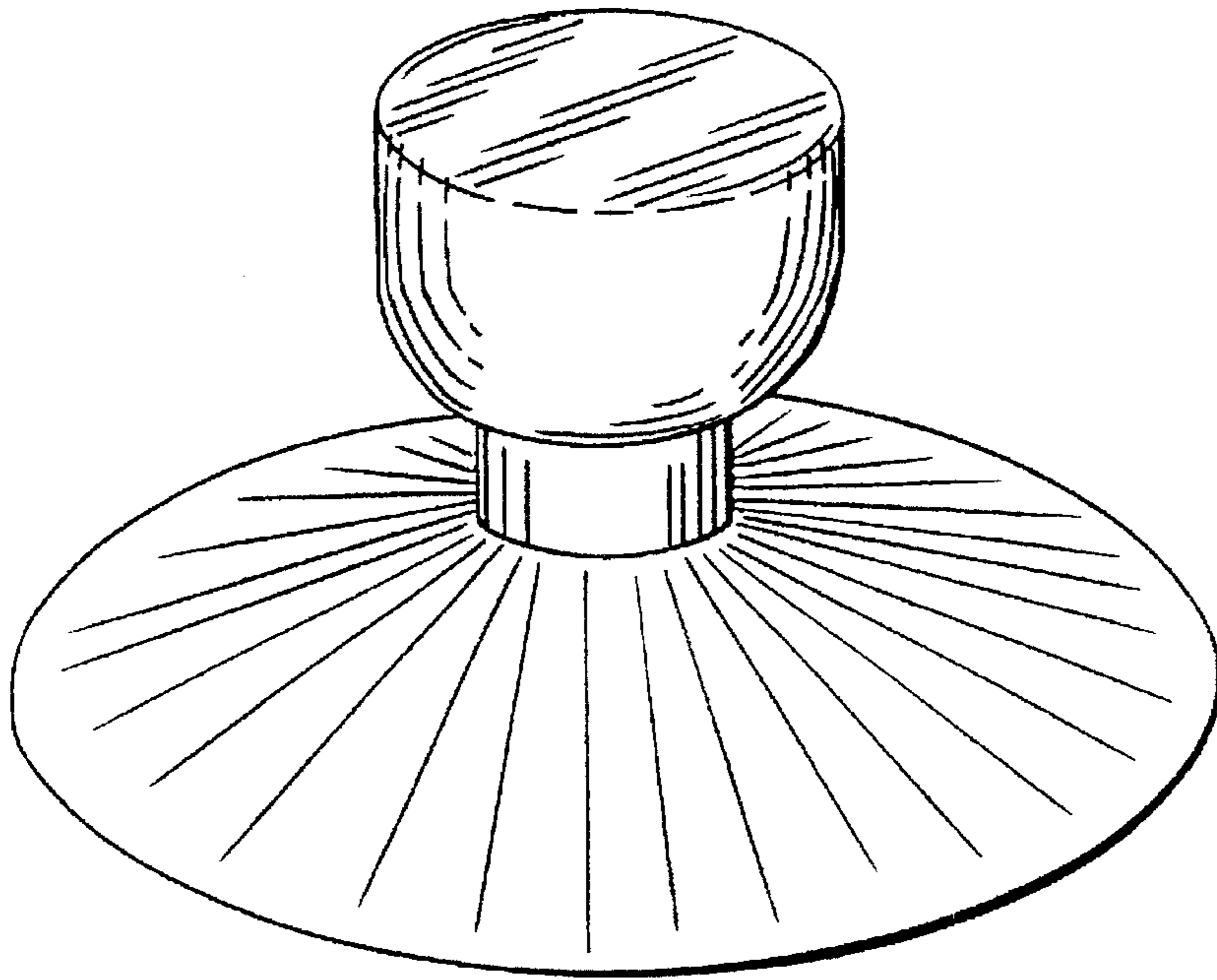


FIG. 1

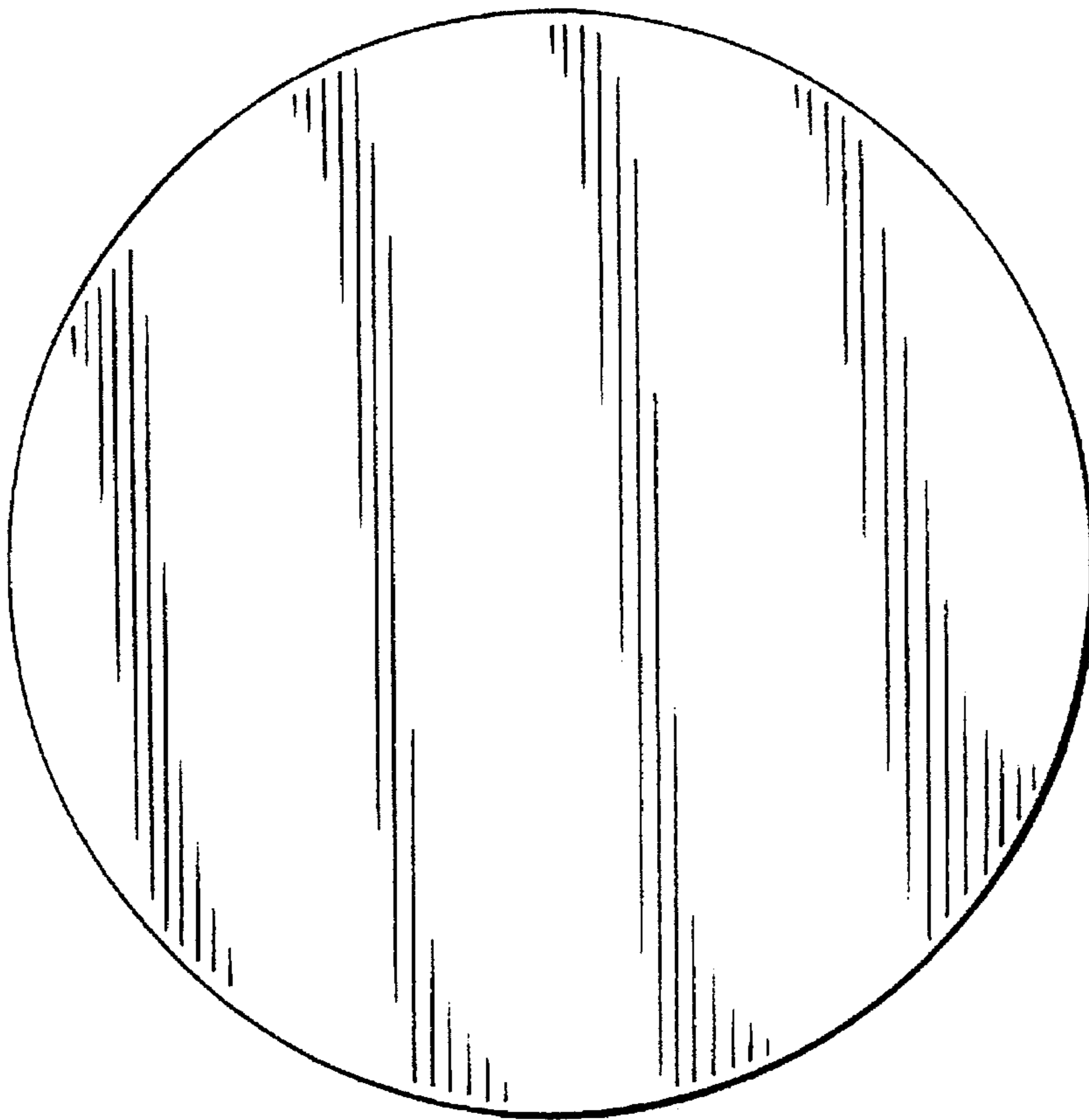


FIG. 4

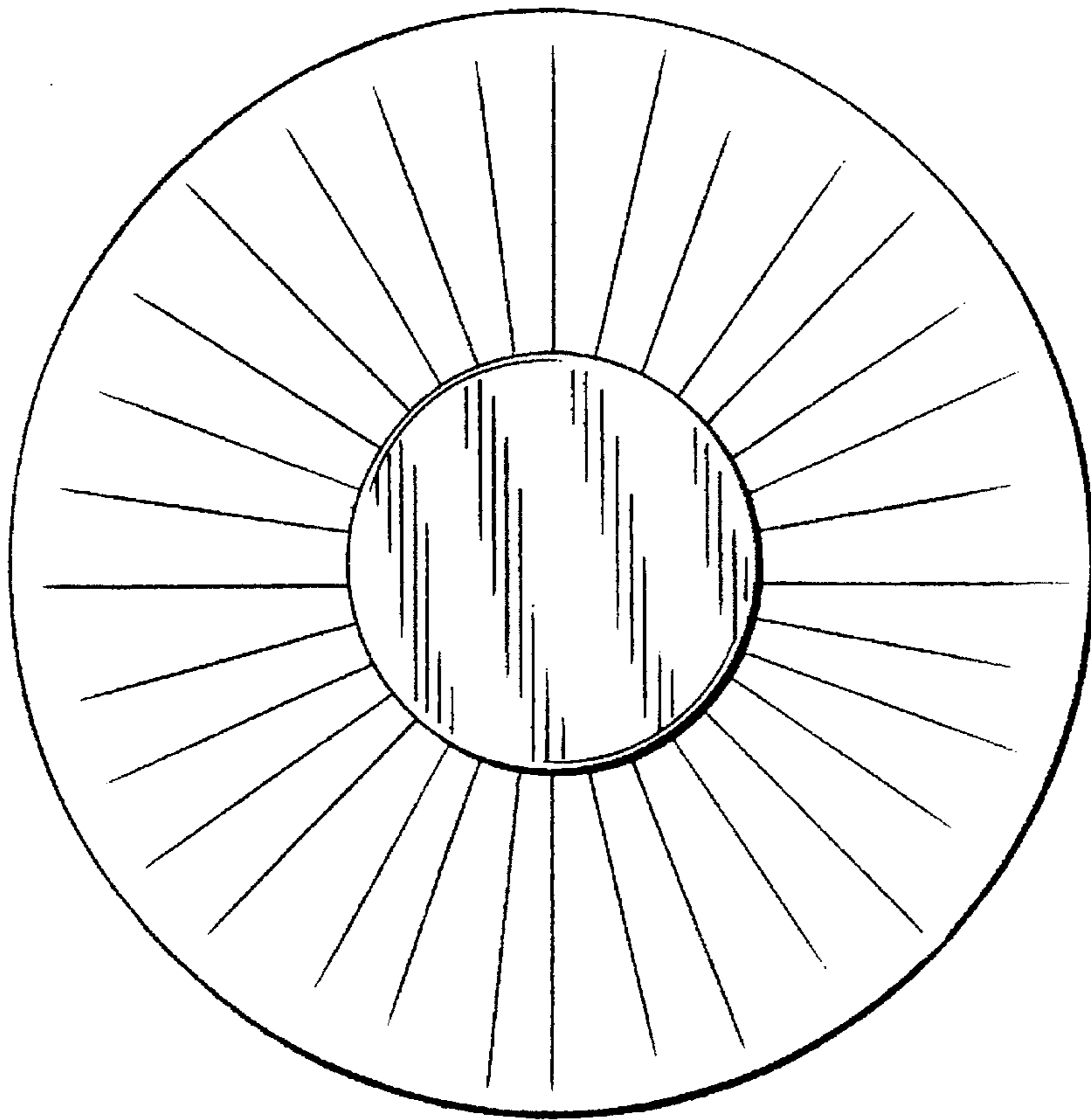


FIG. 2

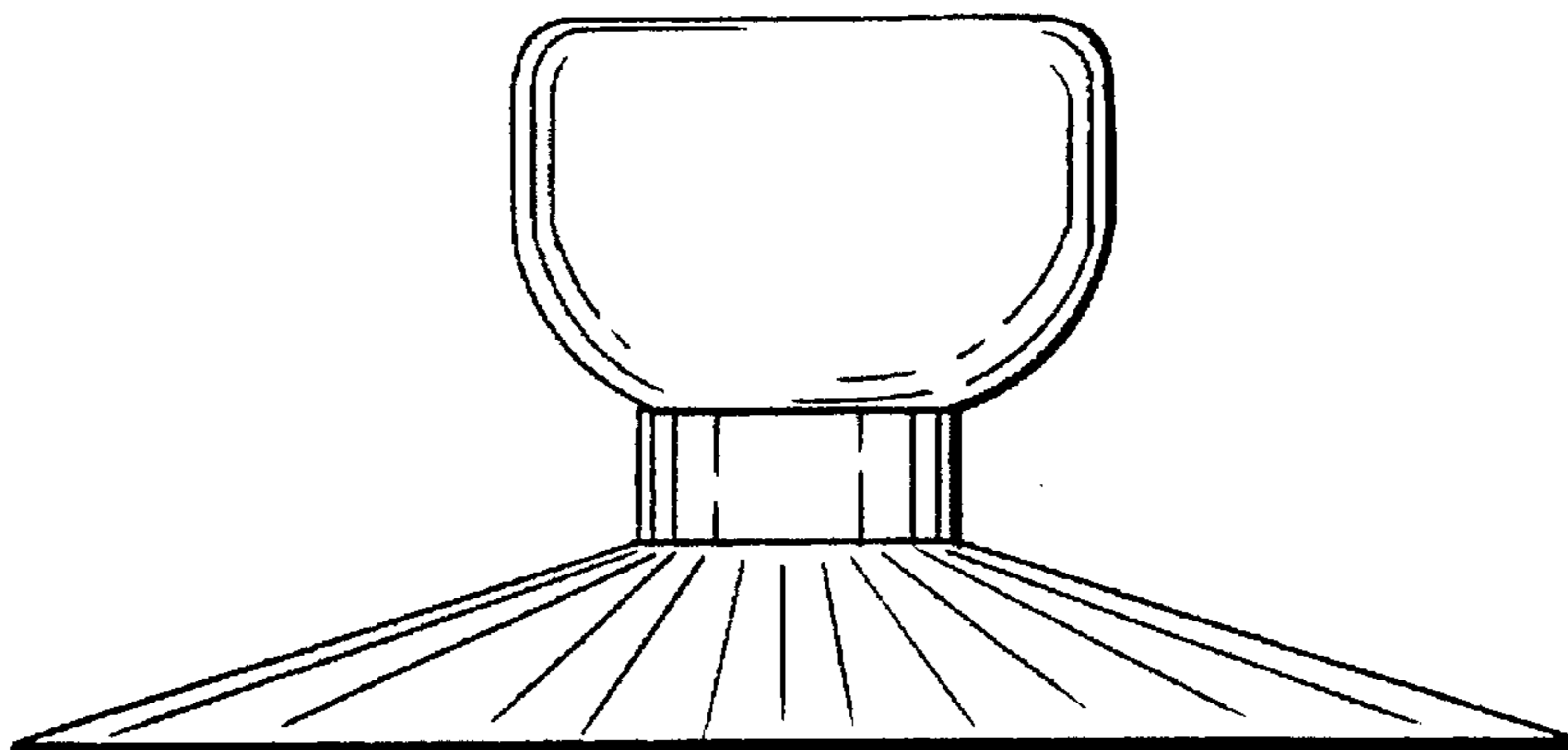


FIG. 3