



US00D381570S

# United States Patent [19] Sung

[11] Patent Number: Des. 381,570

[45] Date of Patent: \*\*Jul. 29, 1997

- [54] SANDER
- [75] Inventor: Eric Sung, Ta-Li, Taiwan
- [73] Assignee: K.K.U. Limited, Tokyo, Japan
- [\*\*] Term: 14 Years
- [21] Appl. No.: 53,780
- [22] Filed: Apr. 30, 1996
- [51] LOC (6) Cl. .... 08-01
- [52] U.S. Cl. .... D8/62
- [58] Field of Search ..... D8/62; 451/355-358

- Automotive Air Tools, Chicago Pneumatic Catalog, Mar. 1990, p. 36.
- Campbell Industrial Supply Co., 1982, p. 411.
- Ash Mail Order Catalog, 1981.
- Hardwares Catalog, p. 76, Aug. 1992.
- Astro Power Catalog, p. 24.
- Automotive Power Tools, Ingersoll-Rand Catalog, 1995, p. 34.
- National-Detroit, Inc. Catalog, pp. 1, 2 & 3.
- Air Tools Catalog, 1992, p. 11.
- Raider Air Tools Catalog, p. 2.

*Primary Examiner*—Antoine Duval Davis  
*Attorney, Agent, or Firm*—Greer, Burns & Crain, Ltd.

[56] **References Cited**

**U.S. PATENT DOCUMENTS**

D. 204,772	5/1966	Brown	.....	D8/62
D. 256,881	9/1980	Hutchins	.	
D. 324,800	3/1992	Butzen et al.	.	
D. 324,803	3/1992	Butzen et al.	.....	D8/62
D. 332,559	1/1993	Miyoshi	.	
D. 344,878	3/1994	Izumisawa	.	
D. 353,310	12/1994	Izumisawa	.	
D. 353,311	12/1994	Izumisawa	.	
D. 357,163	4/1995	Izumisawa	.	
3,364,625	1/1968	Sogge	.....	451/357 X
3,857,206	12/1974	Heffran, Jr.	.....	451/357

**OTHER PUBLICATIONS**

- Hardwares Catalog, Aug. 1991.
- Automotive Power Tools, Ingersoll-Rand Catalog, 1992, p. 34.

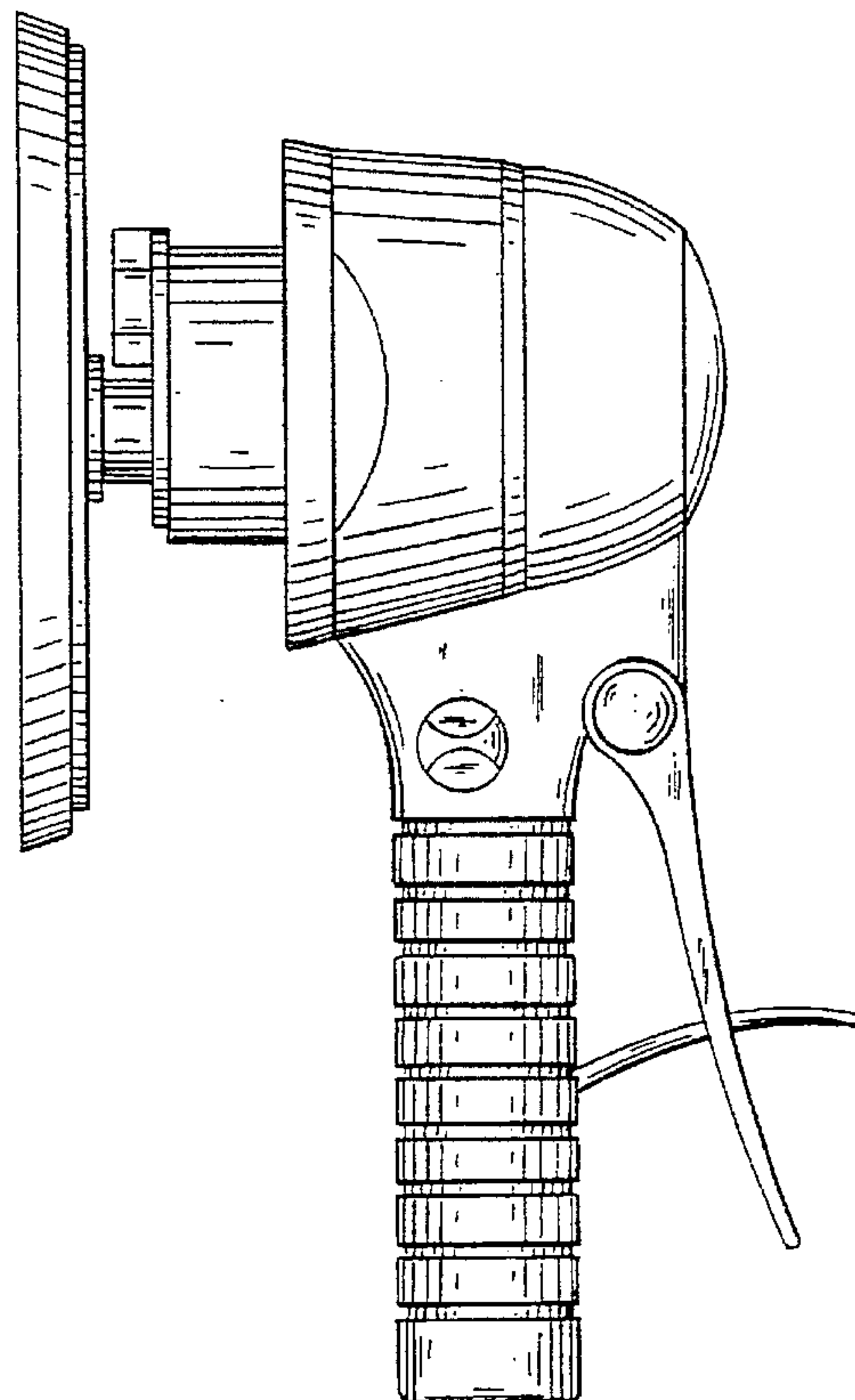
[57] **CLAIM**

The ornamental design for a sander, as shown and described.

**DESCRIPTION**

- FIG. 1 is a left side view of a sander showing my new design;
- FIG. 2 is a rear view thereof;
- FIG. 3 is a right side view thereof;
- FIG. 4 is a bottom view thereof;
- FIG. 5 is a front view thereof; and,
- FIG. 6 is a rear view thereof.

1 Claim, 3 Drawing Sheets



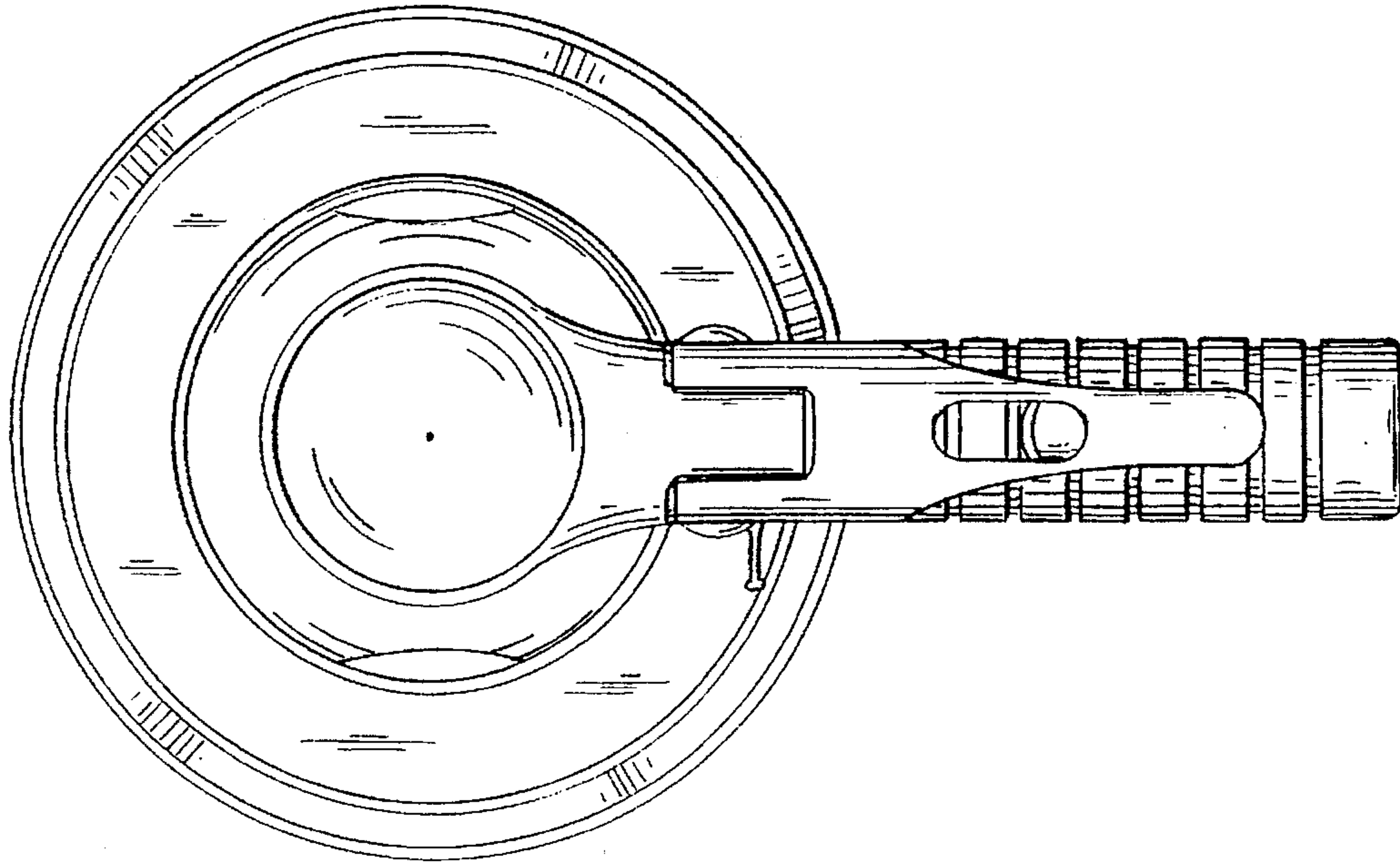


FIG. 2

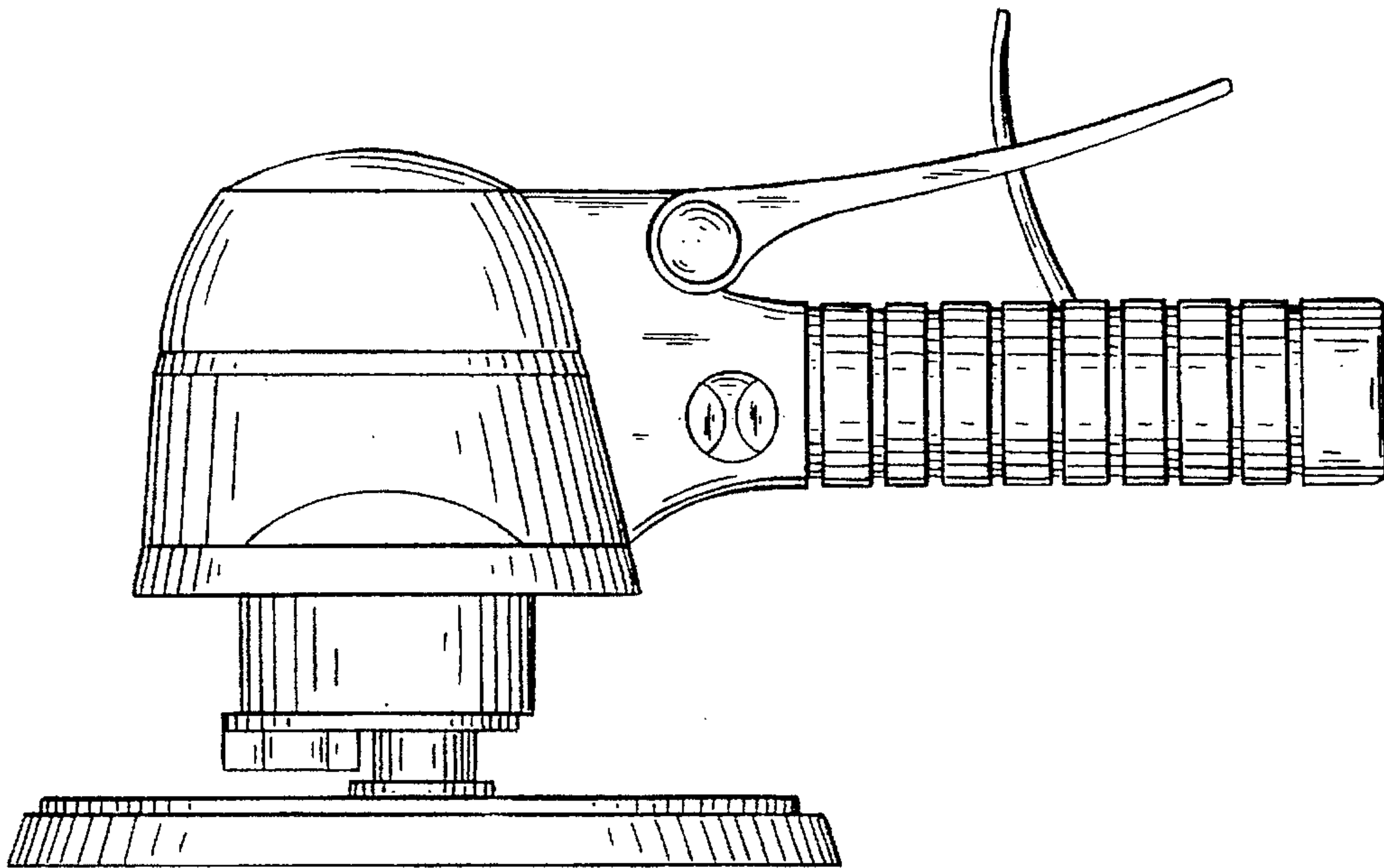


FIG. 1

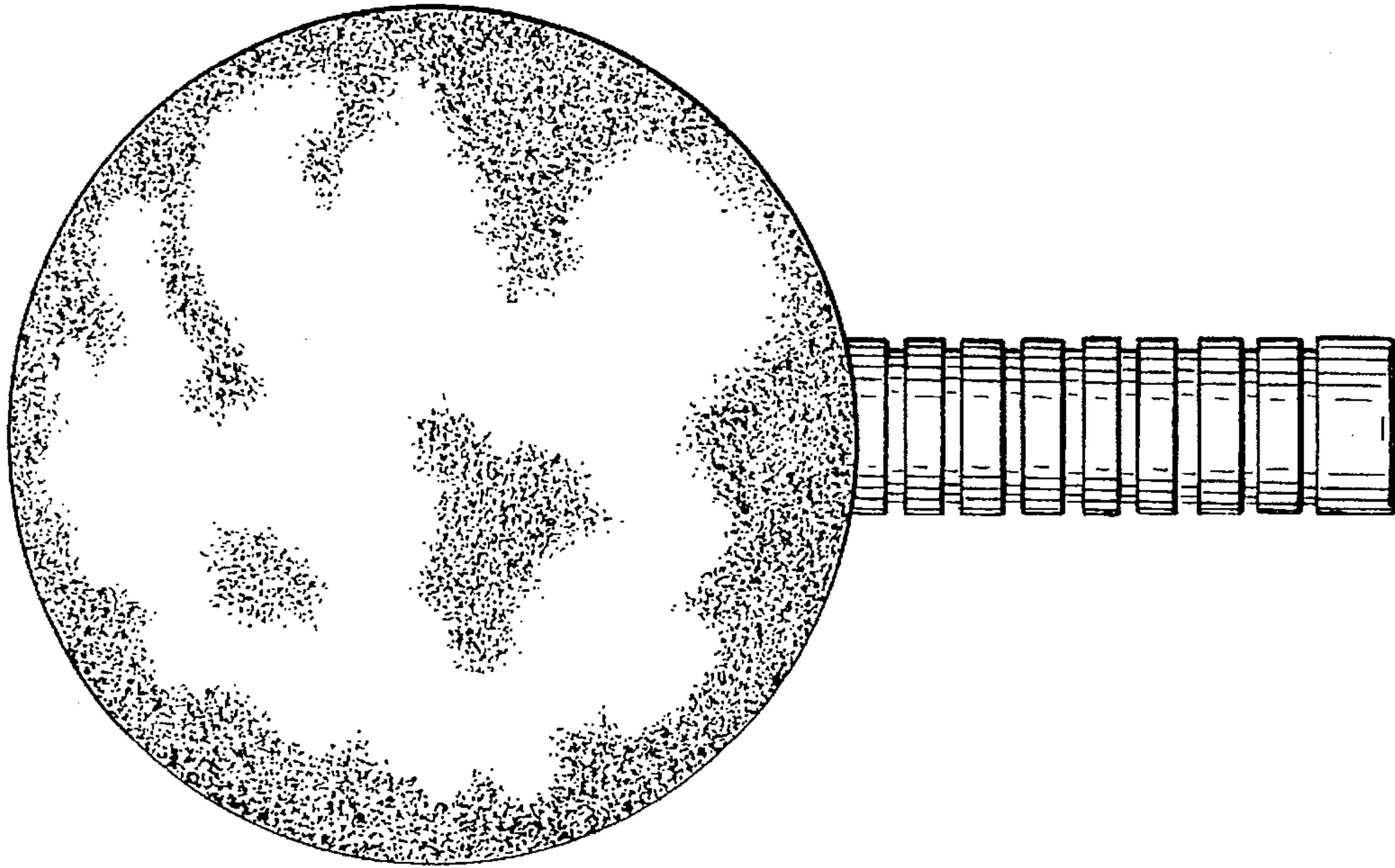


FIG. 4

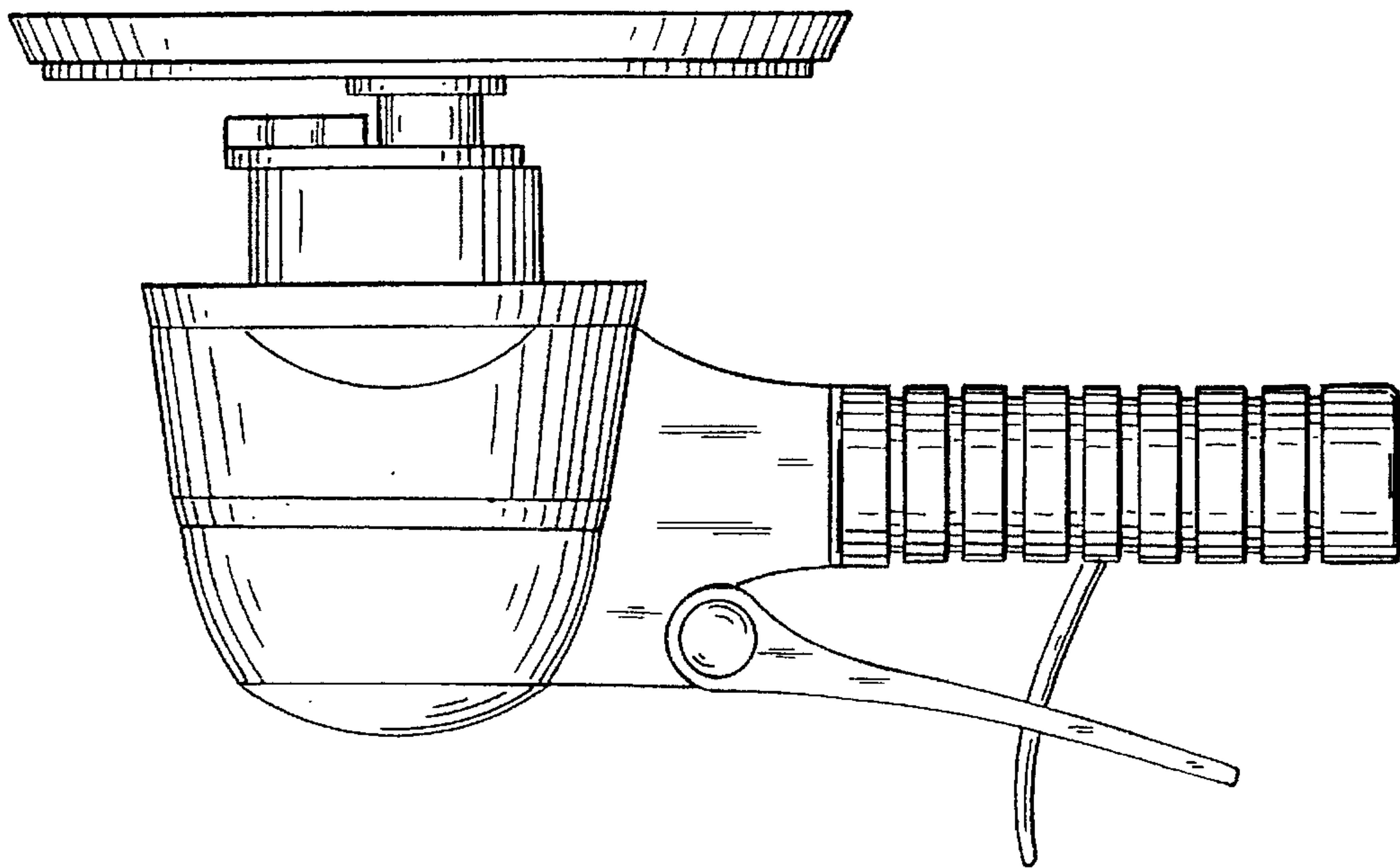


FIG. 3



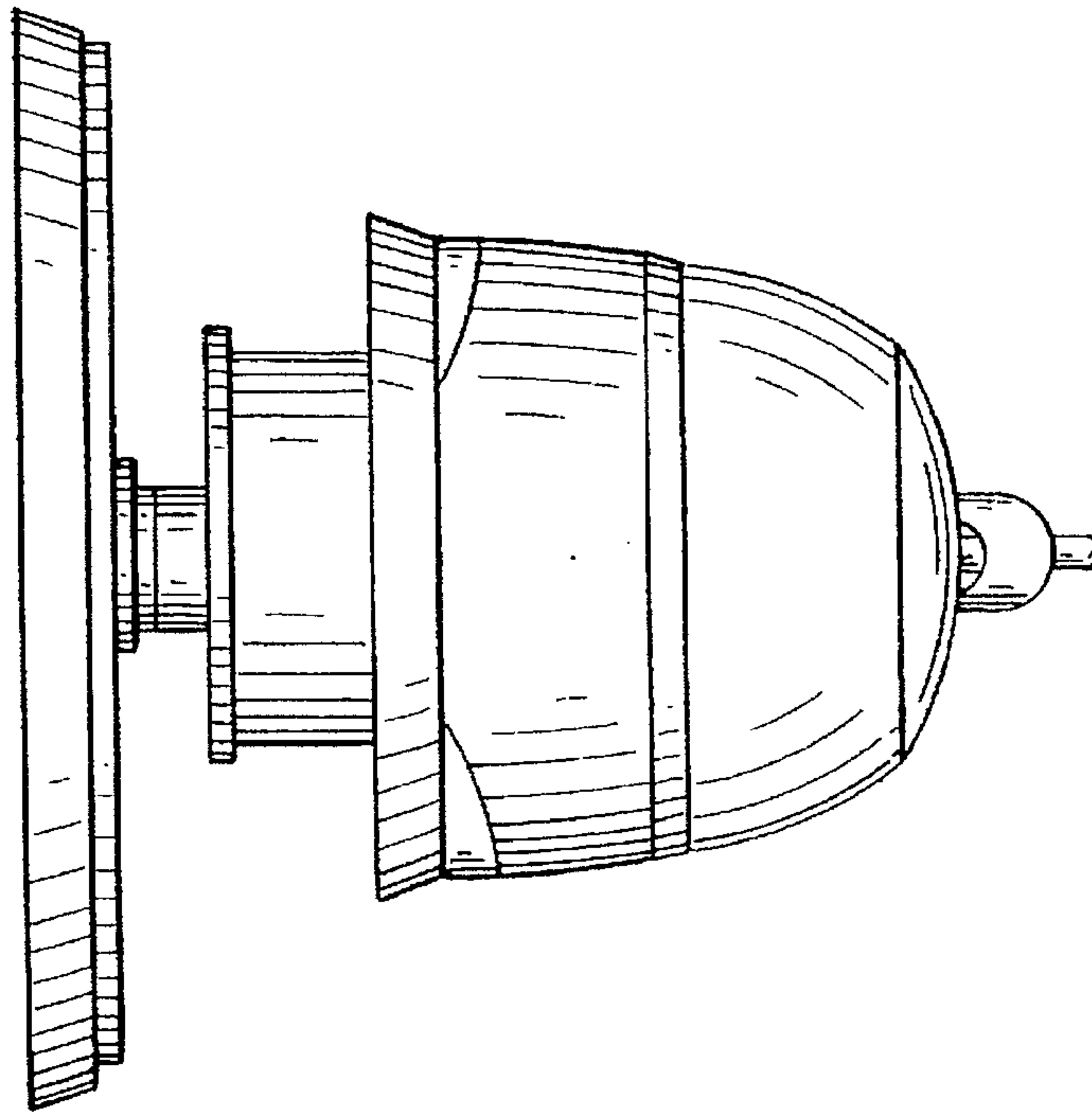


FIG. 5

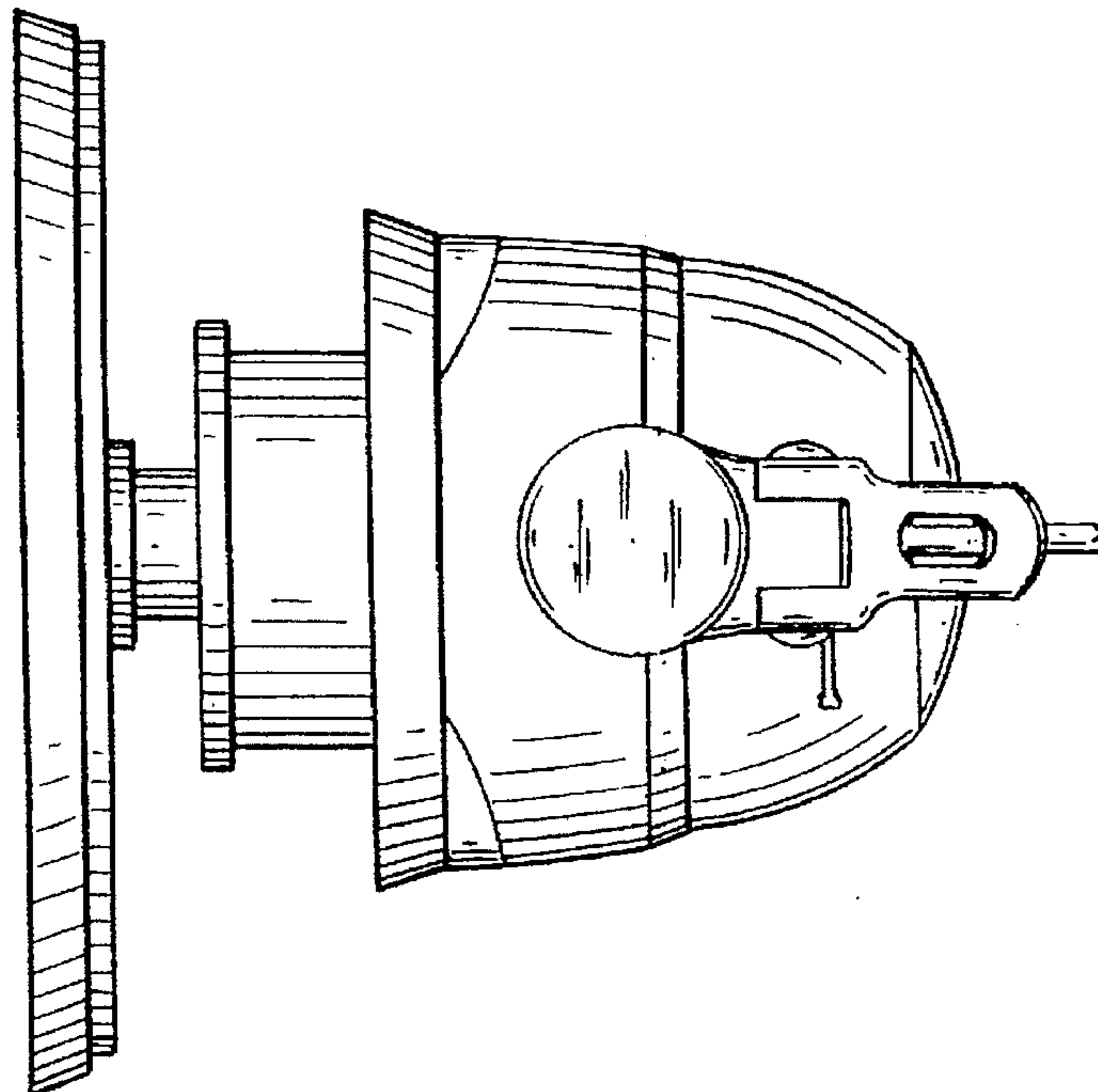


FIG. 6