



US00D381568S

# United States Patent [19]

VanderBoegh

[11] Patent Number: **Des. 381,568**

[45] Date of Patent: **\*\*Jul. 29, 1997**

[54] LID REMOVAL TOOL

795,330 7/1905 Brewington et al. .... 81/3.55  
1,661,333 3/1928 Gurnett ..... D8/40

[76] Inventor: **Alan D. VanderBoegh**, 201 Grace Blvd., Altamonte Springs, Fla. 32714

*Primary Examiner*—Sandra L. Morris  
*Assistant Examiner*—Adir Aronovich  
*Attorney, Agent, or Firm*—William M. Hobby, III

[\*\*] Term: **14 Years**

[21] Appl. No.: **42,469**

### [57] CLAIM

[22] Filed: **Aug. 10, 1995**

The ornamental design for a lid removal tool, design as shown.

[51] LOC (6) Cl. .... **07-99**

### DESCRIPTION

[52] U.S. Cl. .... **D8/40**

[58] Field of Search ..... D8/18, 33, 34-36,  
D8/38, 40, 41; 81/3.4, 3.55, 3.57, 3.41,  
3.09

FIG. 1 is a rear and left side perspective view of my new lid removal tool;

FIG. 2 is a right side elevation;

FIG. 3 is a bottom end elevation;

FIG. 4 is a top plan view thereof;

FIG. 5 is a bottom plan view thereof; and,

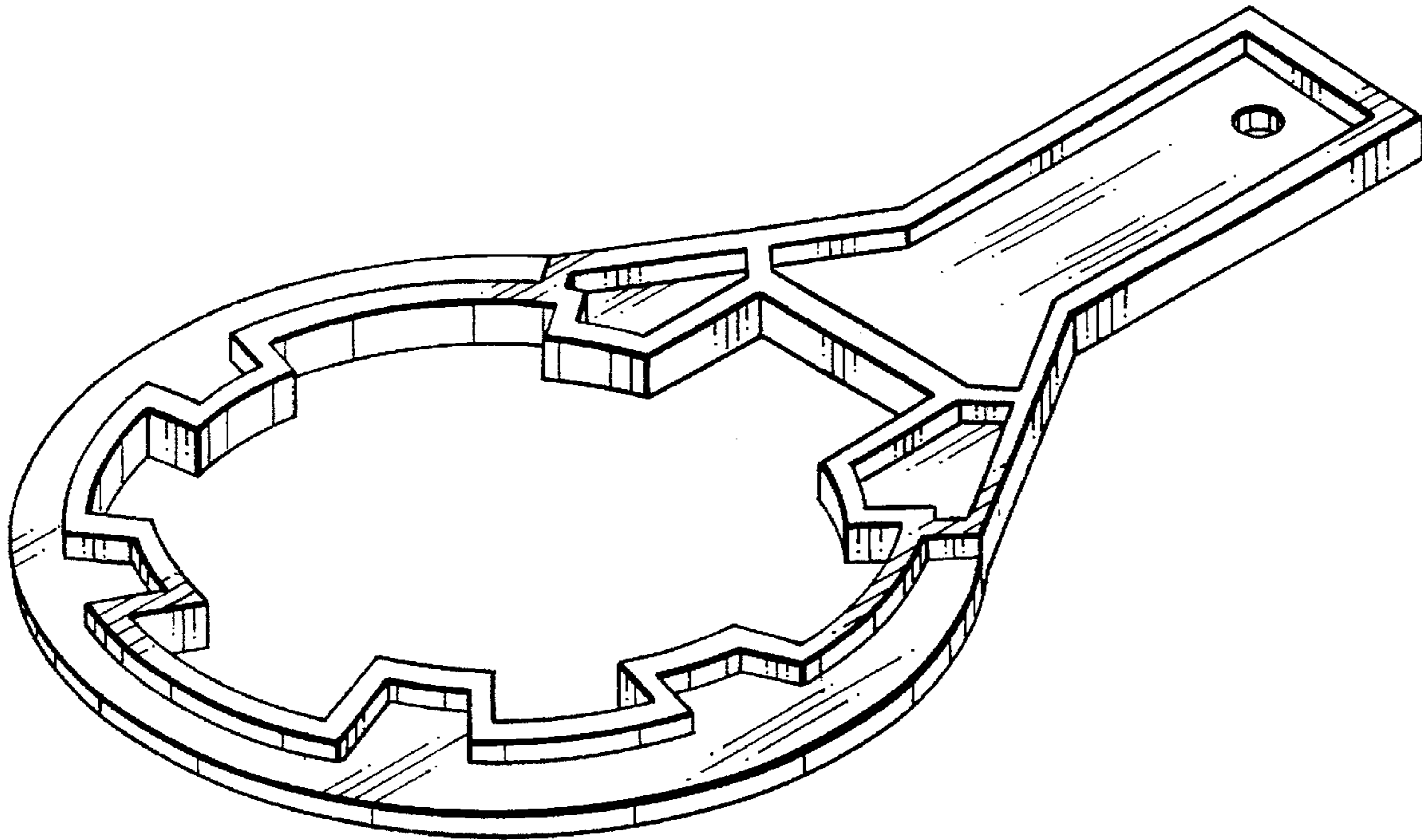
FIG. 6 is a top end elevation thereof.

### [56] References Cited

#### U.S. PATENT DOCUMENTS

D. 277,635 2/1985 Sherwood ..... D8/18  
D. 287,693 1/1987 Janiszski ..... D8/40  
D. 347,776 6/1994 Brix-Hansen ..... D8/40

**1 Claim, 1 Drawing Sheet**



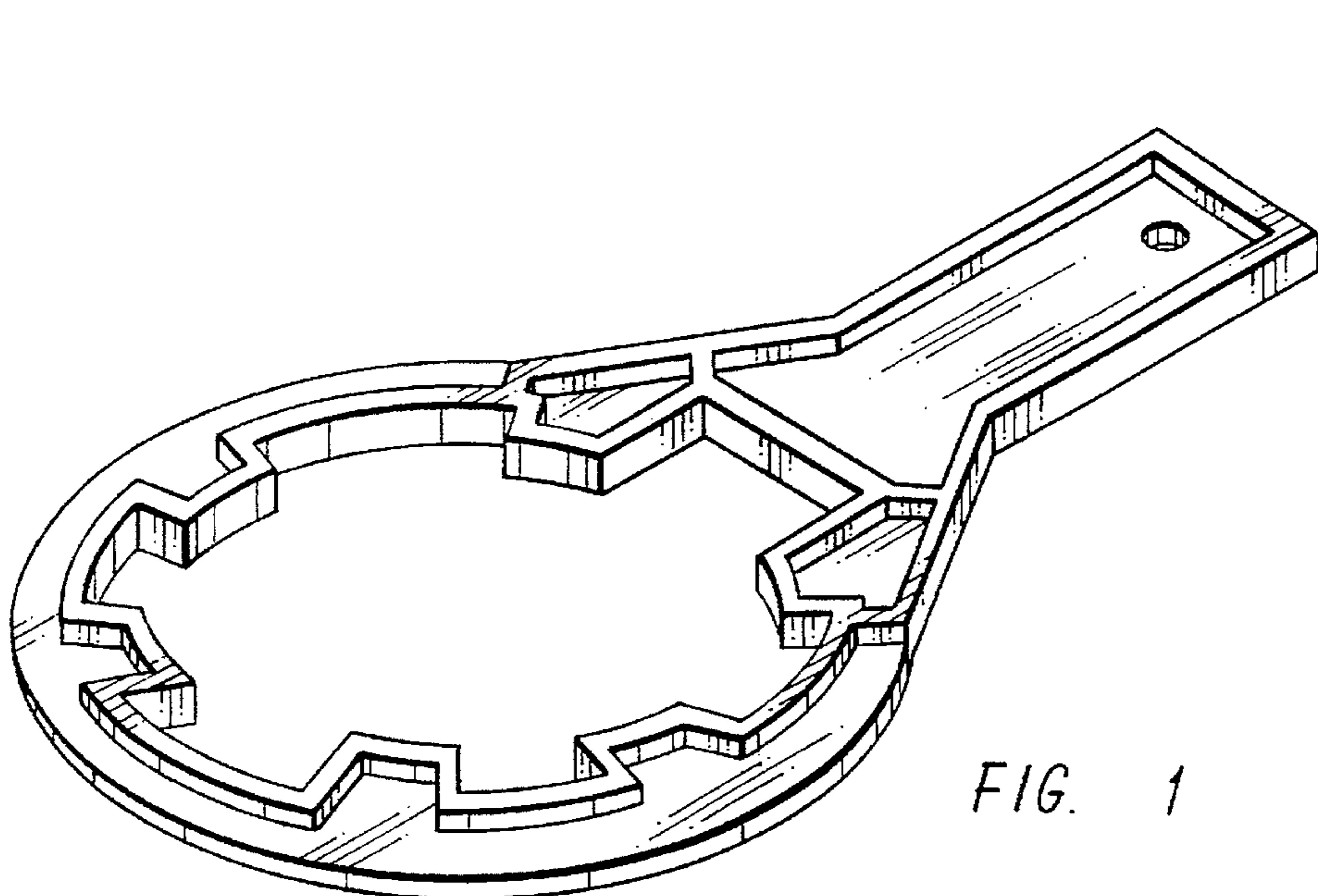


FIG. 1

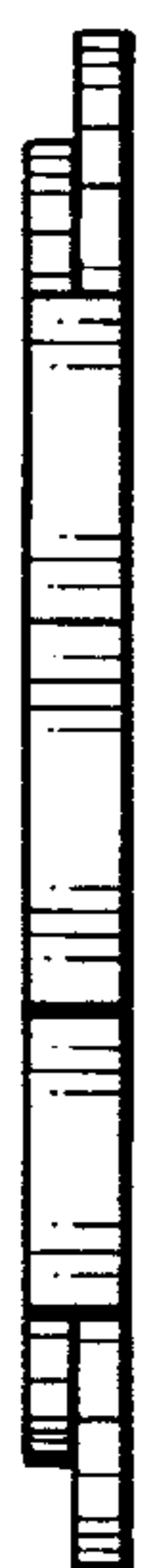


FIG. 3

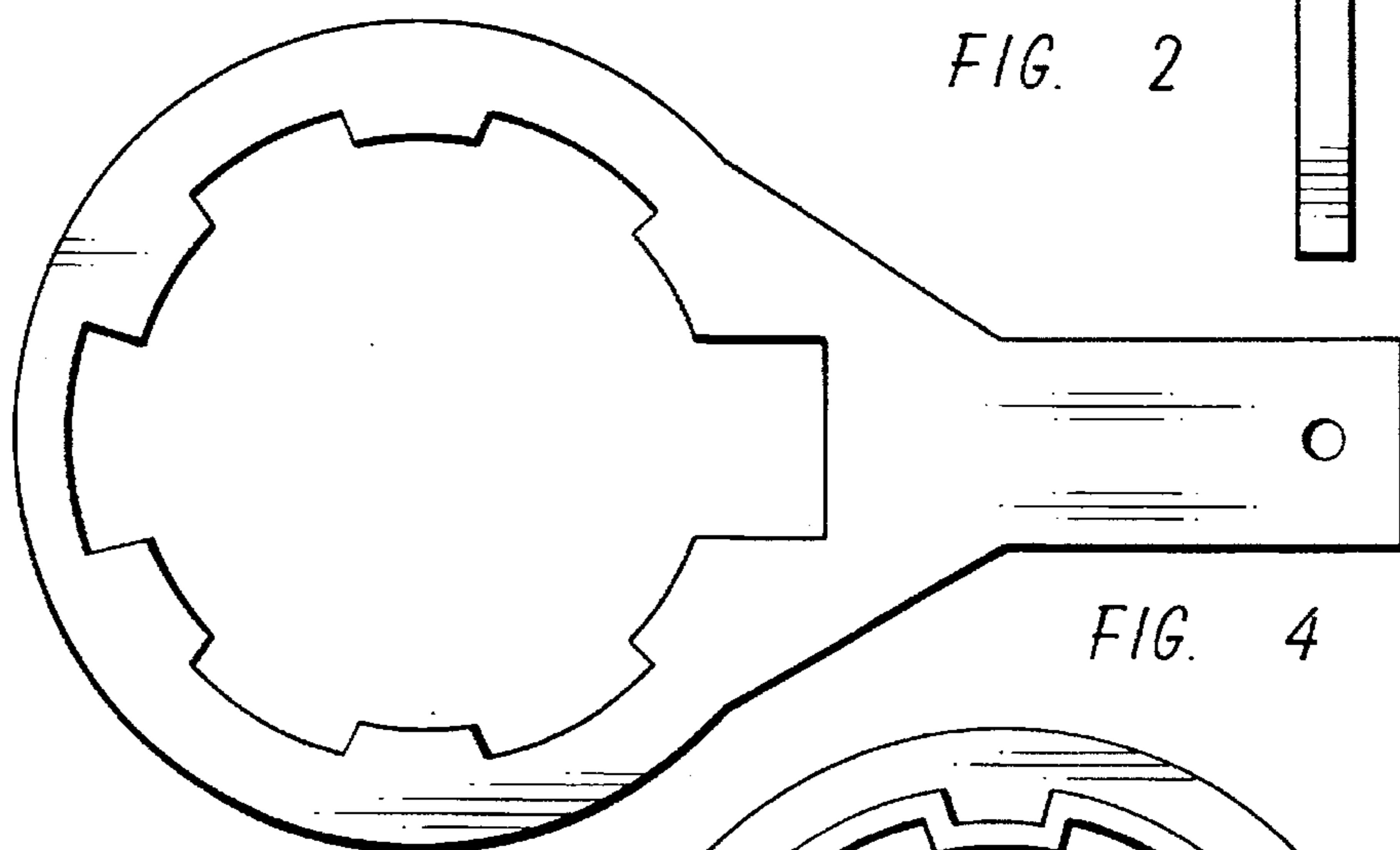


FIG. 2

FIG. 4

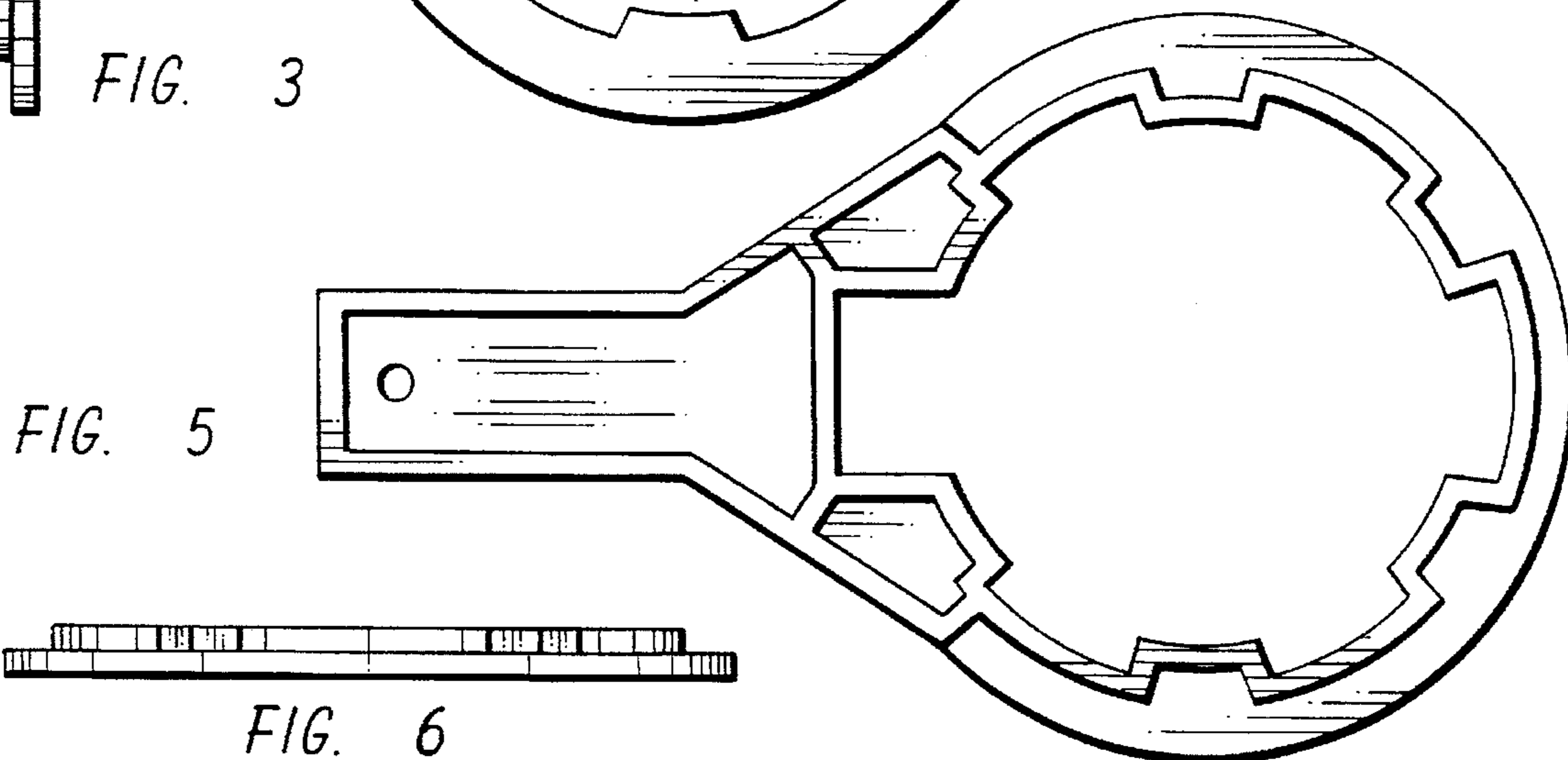


FIG. 5



FIG. 6