



US00D381567S

**United States Patent** [19]  
**Kaiser**

[11] **Patent Number:** **Des. 381,567**  
[45] **Date of Patent:** **\*\*Jul. 29, 1997**

[54] **RATCHET BOX WRENCH**

5,431,075 7/1995 Cruz et al. .... 81/177.1

[76] **Inventor:** **Michael C. Kaiser**, 16 S. Ioka Ave.,  
Mt. Prospect, Ill. 60056

**OTHER PUBLICATIONS**

Hardware Age, Jan. 17, 1946, p. 60, Wrench.

[\*\*] **Term:** **14 Years**

*Primary Examiner*—Terry A. Wallace

*Attorney, Agent, or Firm*—James A. Hudak

[21] **Appl. No.:** **46,085**

[57] **CLAIM**

[22] **Filed:** **Nov. 7, 1995**

The ornamental design for a ratchet box wrench, as shown and described.

[51] **LOC (6) Cl.** ..... **08-05**

[52] **U.S. Cl.** ..... **D8/25**

[58] **Field of Search** ..... D8/21-28; 81/57.3,  
81/60-63.2, 64, 177.1

**DESCRIPTION**

FIG. 1 is a perspective view of the ratchet box wrench showing my new design;

FIG. 2 is a right end elevational view thereof;

FIG. 3 is a left end elevational view thereof;

FIG. 4 is a front elevational view thereof, the rear elevational view being a mirror image of the view shown in this Figure;

FIG. 5 is a top plan view thereof; and,

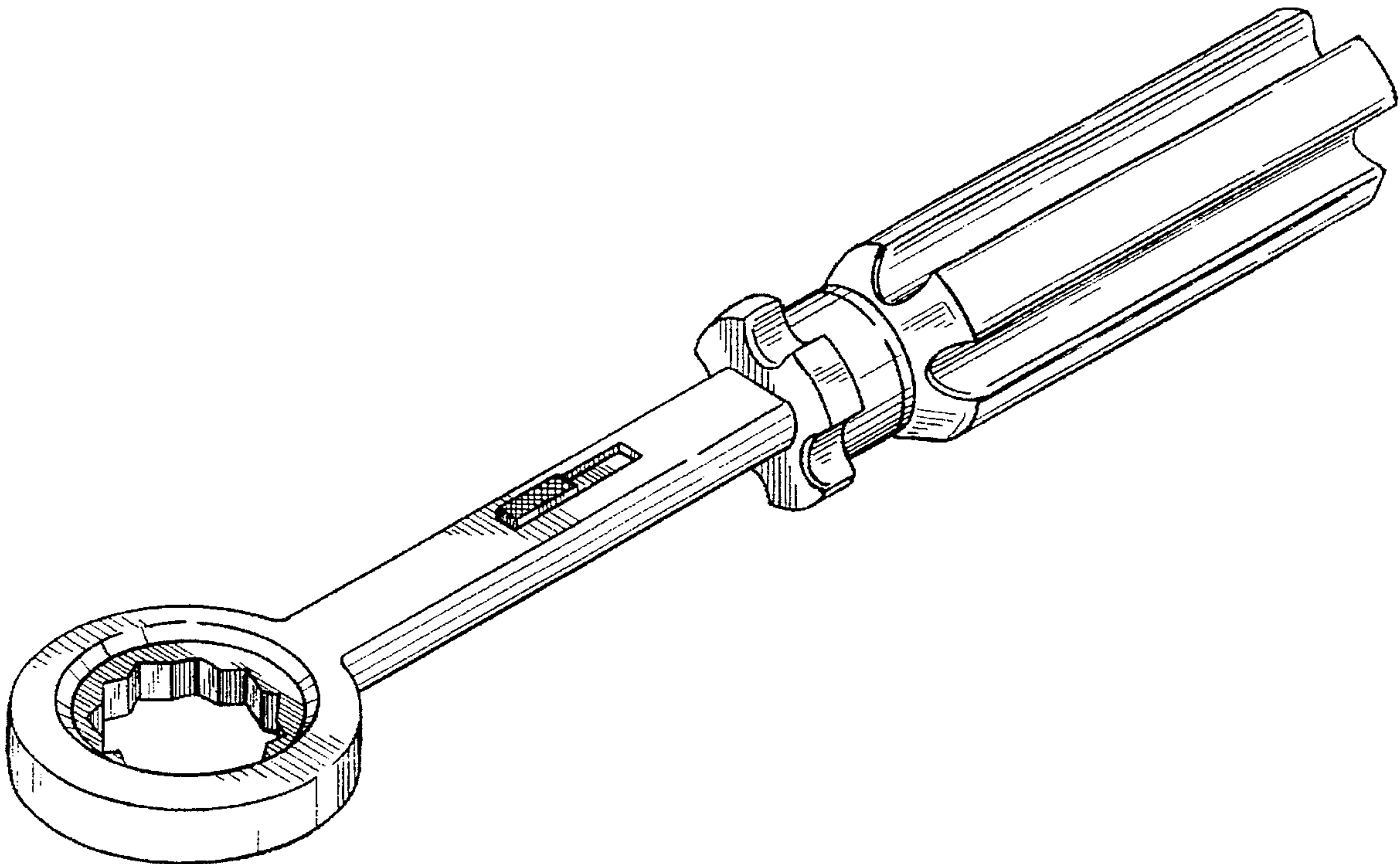
FIG. 6 is a bottom plan view thereof.

[56] **References Cited**

**U.S. PATENT DOCUMENTS**

3,093,172	6/1963	Reed et al. ....	81/177.1
3,241,409	3/1966	Raptis .....	81/179
4,604,919	8/1986	Rollo .....	81/61
4,631,988	12/1986	Colvin .....	81/62
4,748,875	6/1988	Lang .....	81/63
4,770,072	9/1988	Neuhaus .....	81/63

**1 Claim, 3 Drawing Sheets**



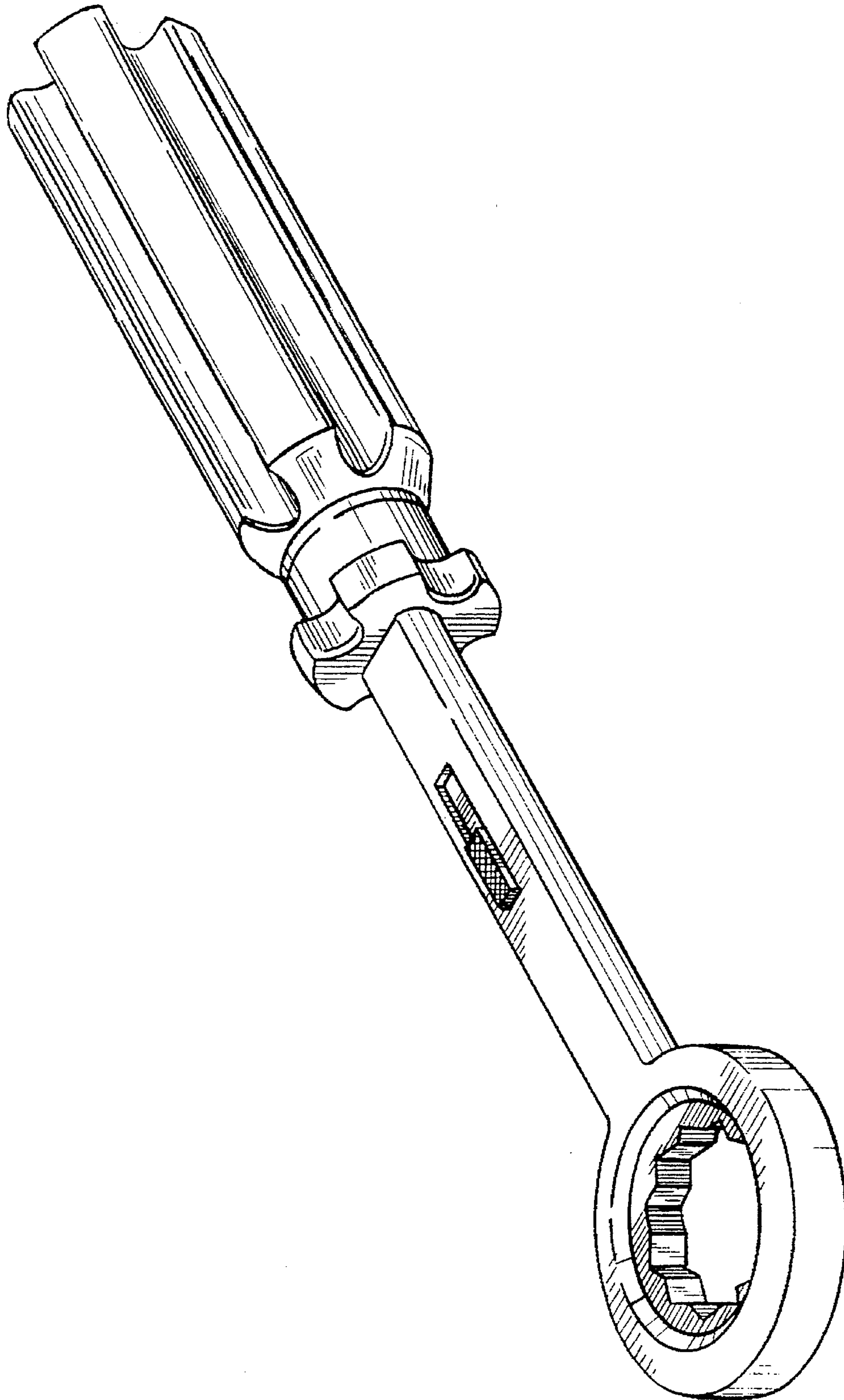


FIG. 1

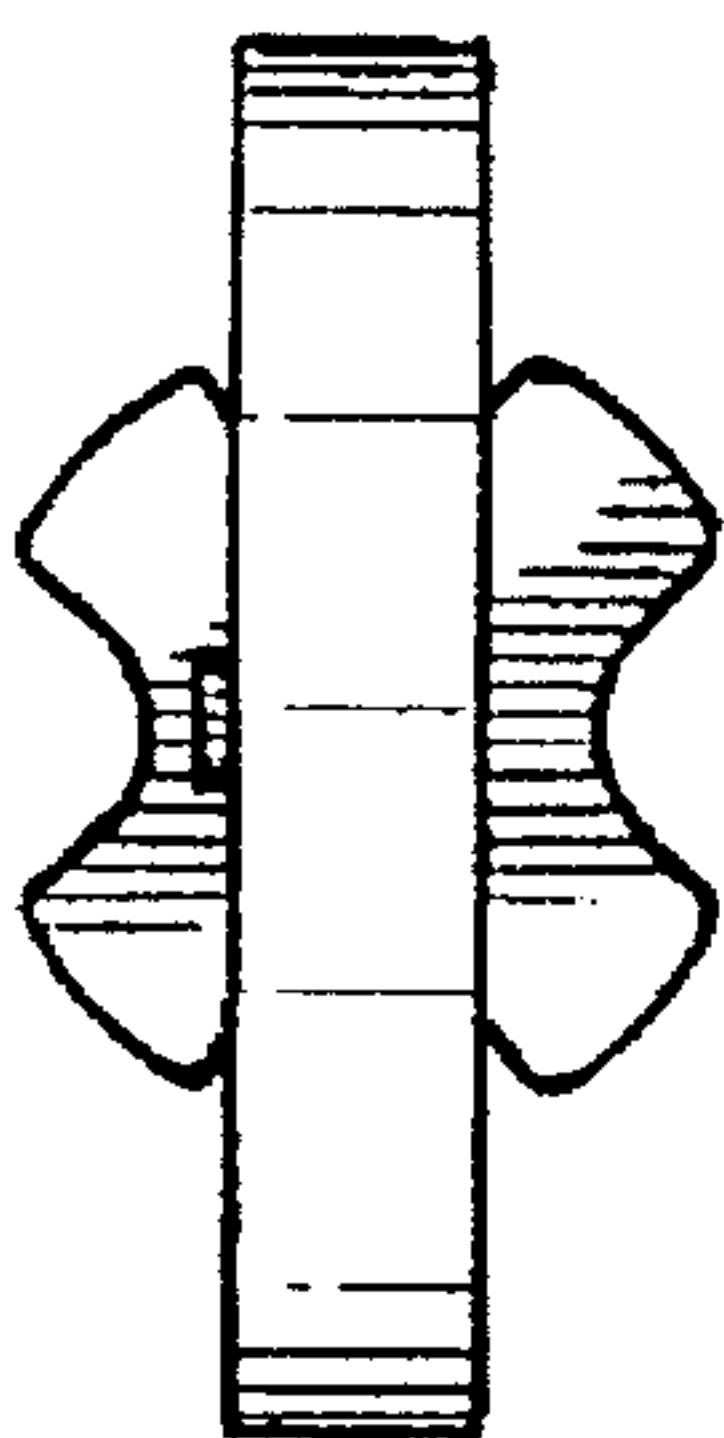


FIG. 2

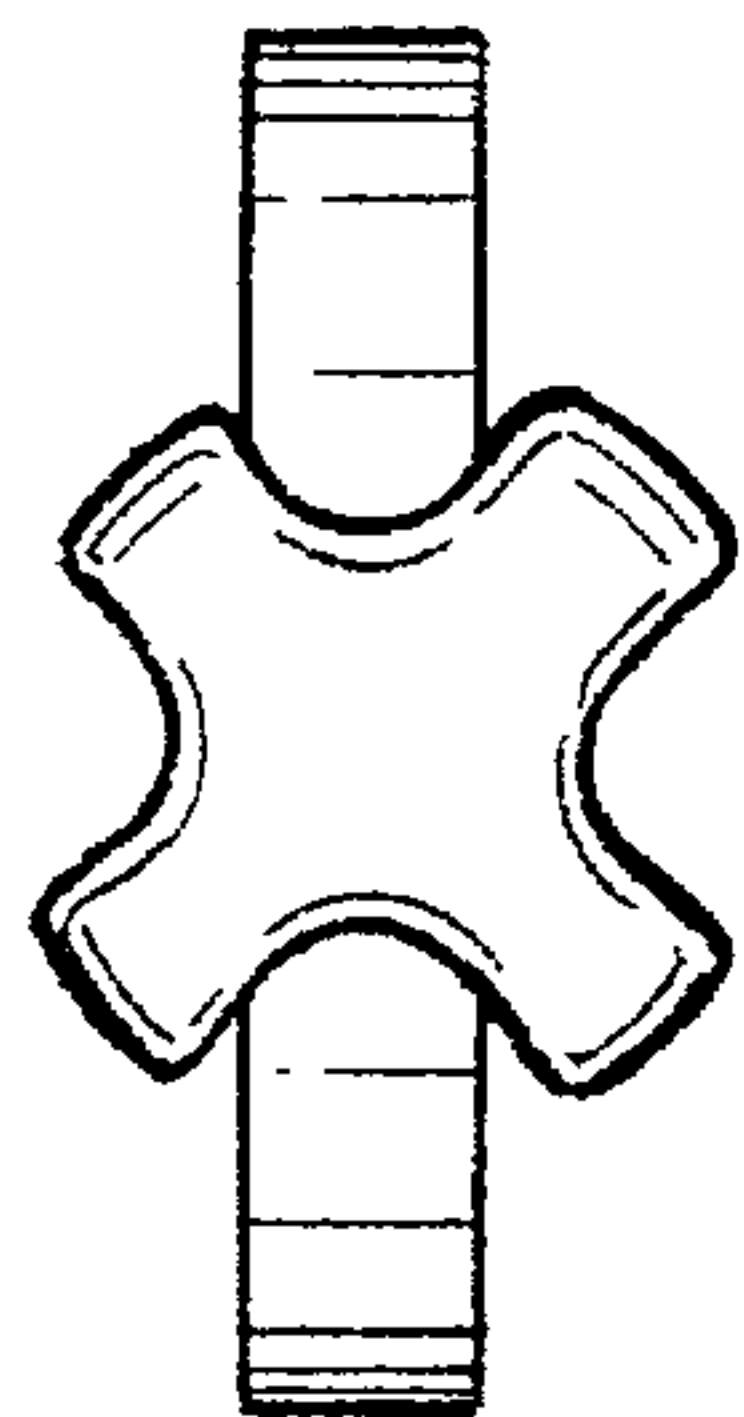


FIG. 3

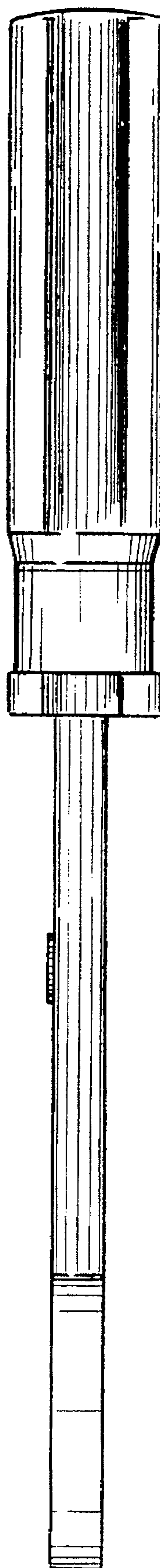


FIG. 4

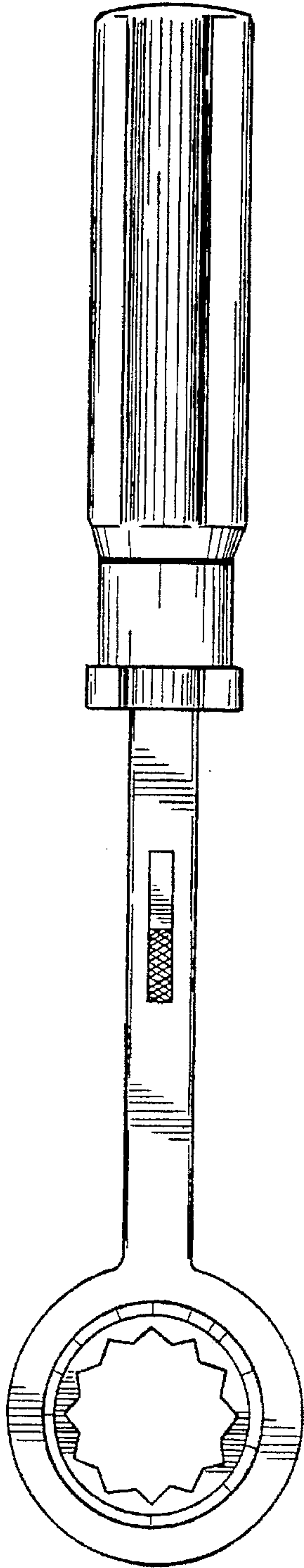


FIG. 5

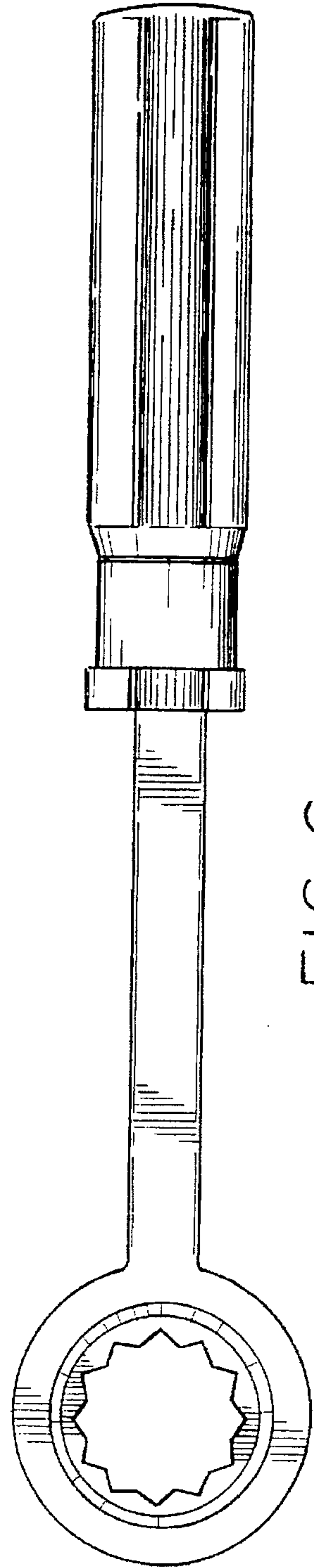


FIG. 6