



US00D381564S

# United States Patent [19] Kolada

[11] Patent Number: **Des. 381,564**

[45] Date of Patent: **\*\*Jul. 29, 1997**

## [54] CUTTING BOARD

[75] Inventor: **Paul P. Kolada**, Bexley, Ohio

[73] Assignee: **American Standard Inc.**, Piscataway, N.J.

[\*\*] Term: **14 Years**

[21] Appl. No.: **687,524**

[22] Filed: **Apr. 19, 1991**

[51] LOC (6) Cl. .... **07-04**

[52] U.S. Cl. .... **D7/698**

[58] Field of Search ..... D7/698; 269/15, 269/54.5, 289 R, 302.1

## [56] References Cited

### U.S. PATENT DOCUMENTS

D. 264,419	5/1982	Dorman et al. ....	D7/698
D. 281,850	12/1985	Morin .....	D7/698
D. 283,777	5/1986	Morin .....	D7/698
4,907,789	3/1990	Tice .....	269/15 X

### FOREIGN PATENT DOCUMENTS

611862	11/1948	United Kingdom .....	D7/698 X
686346	1/1953	United Kingdom .....	D7/698 X

## OTHER PUBLICATIONS

Hong Kong Enterprise; May 1981; p. 85; Cutting Board 2nd from left.

*Primary Examiner*—James Gandy

*Assistant Examiner*—Caron D. Veynar

*Attorney, Agent, or Firm*—Elaine Brenner Robinson; Ann M. Knab

## [57] CLAIM

The ornamental design for cutting board, as shown and described.

## DESCRIPTION

FIG. 1 is a top, front and left side perspective view of a cutting board showing my new design;

FIG. 2 is a top plan view thereof;

FIG. 3 is a right side elevational view thereof, the left side elevational view being the same in appearance;

FIG. 4 is a front elevational view thereof, the rear elevational view being the same in appearance;

FIG. 5 is a bottom plan view thereof;

FIG. 6 is a bottom, front and left side perspective view of a cutting board showing an alternative embodiment of my design;

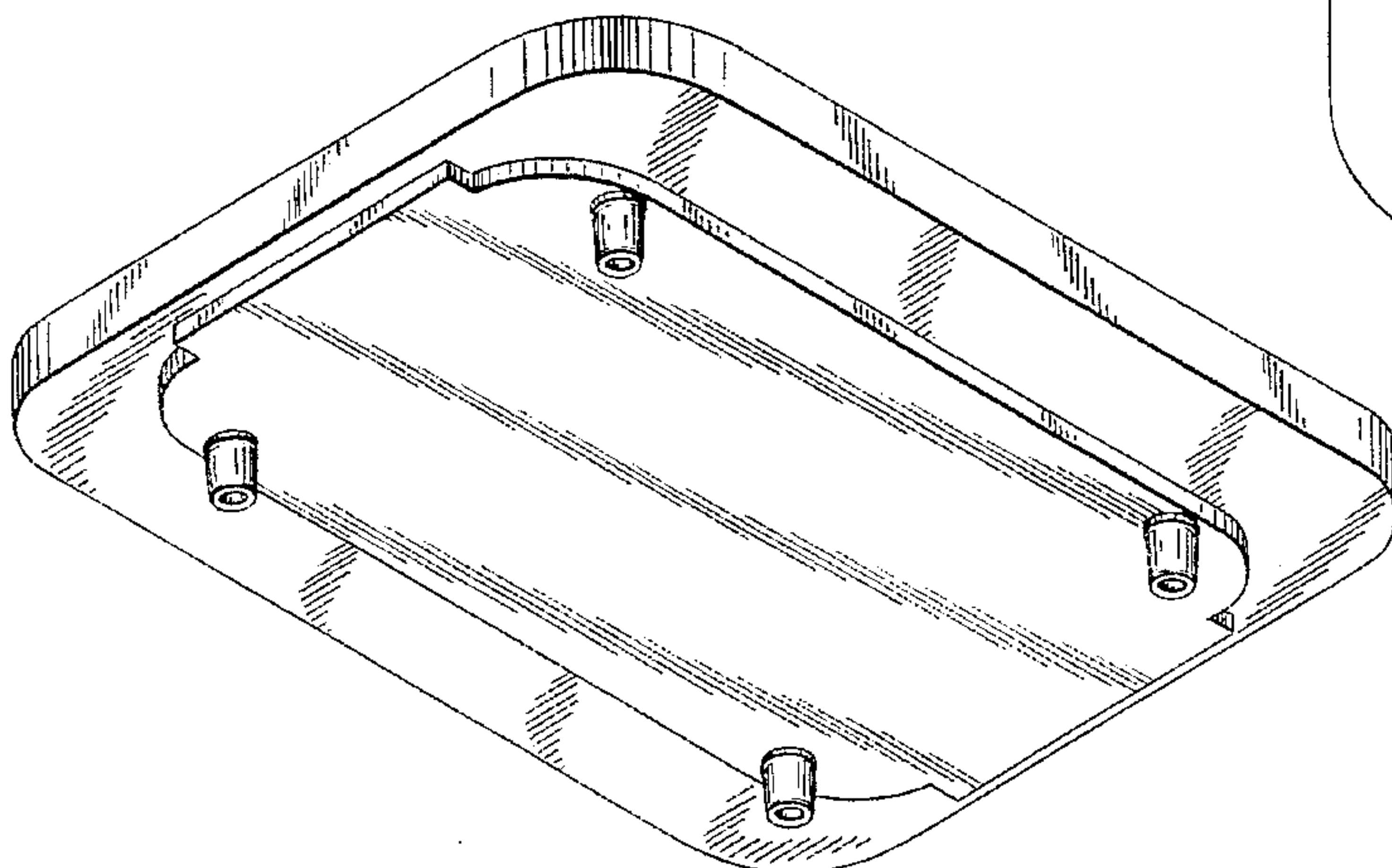
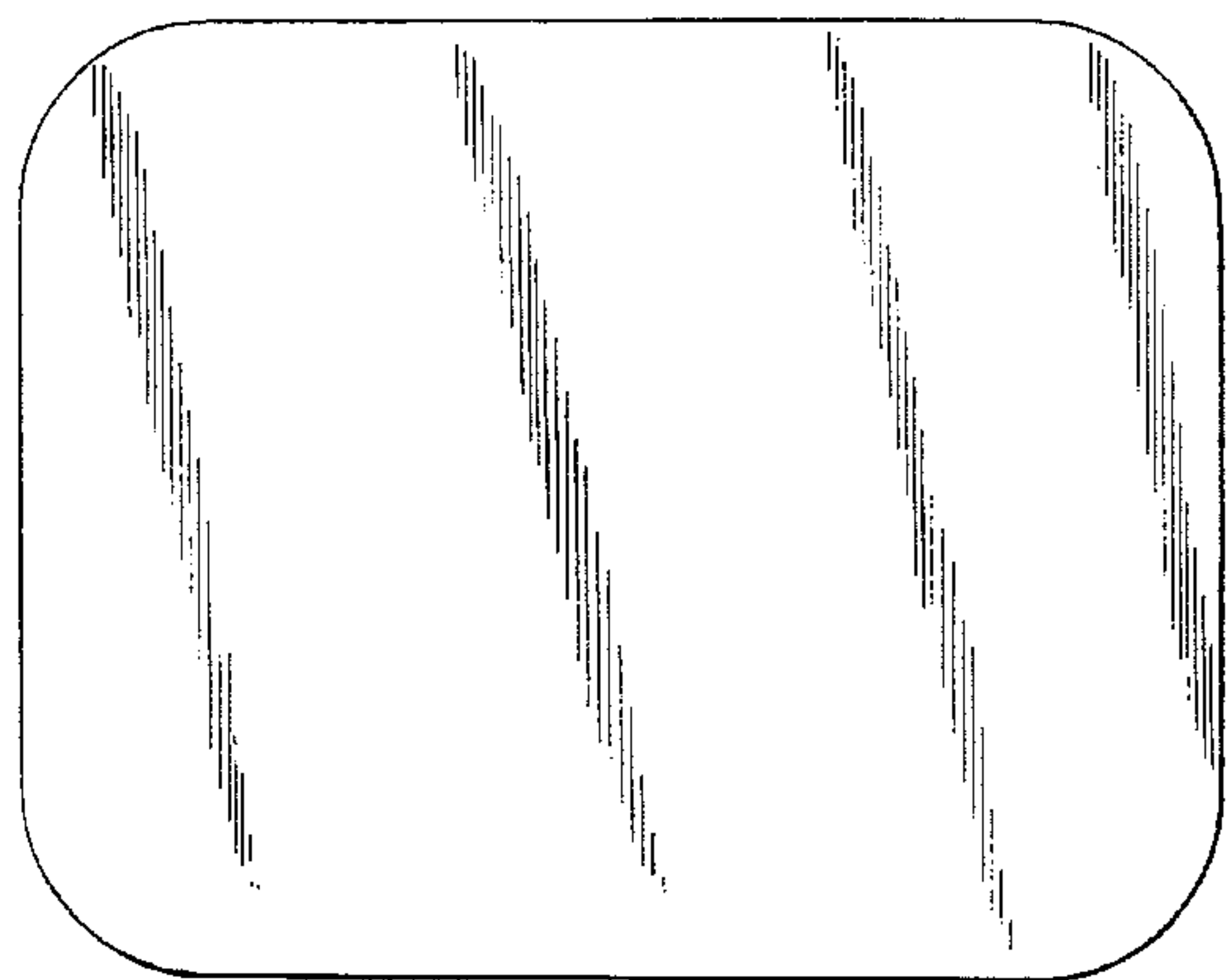
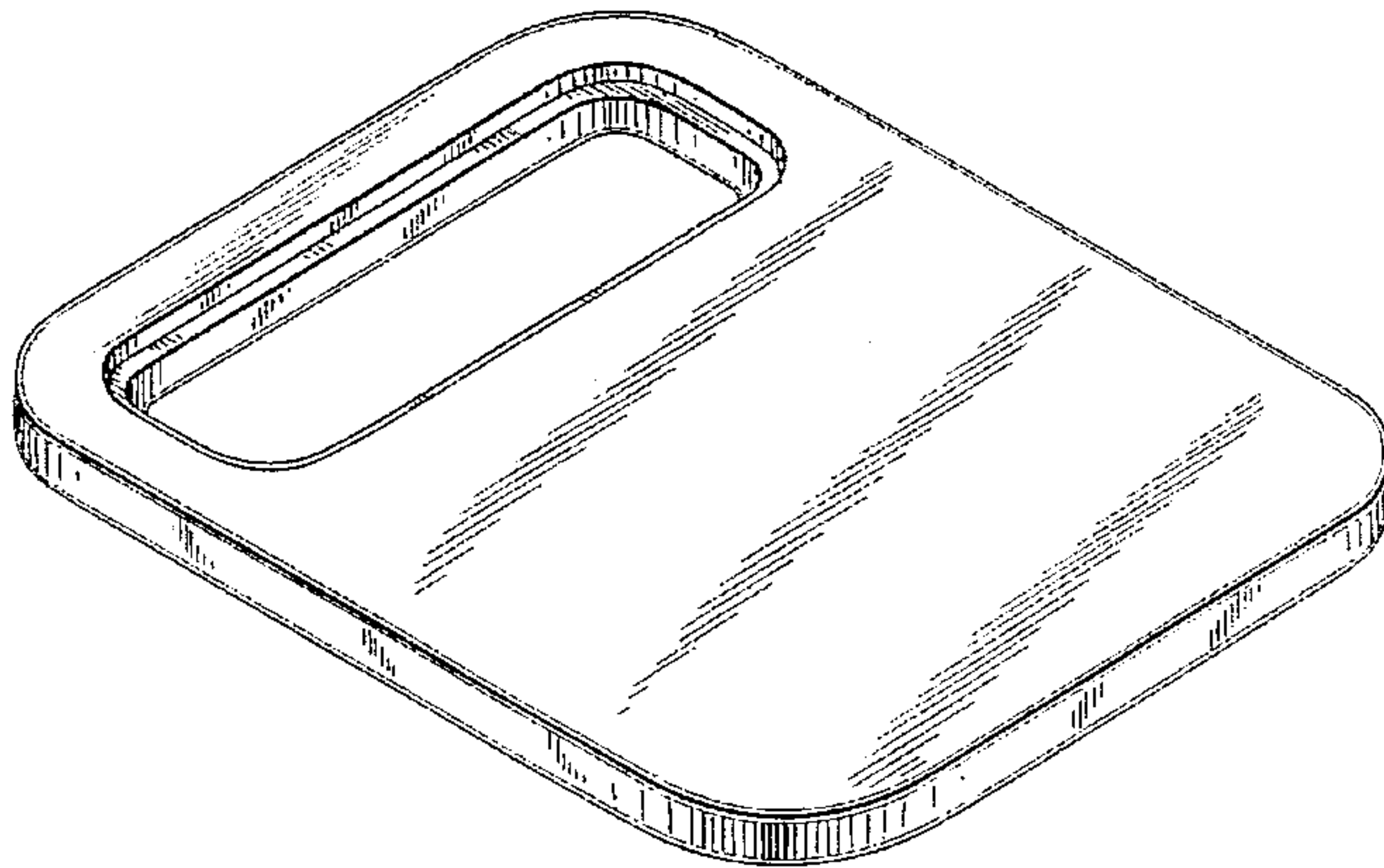
FIG. 7 is a top plan view thereof;

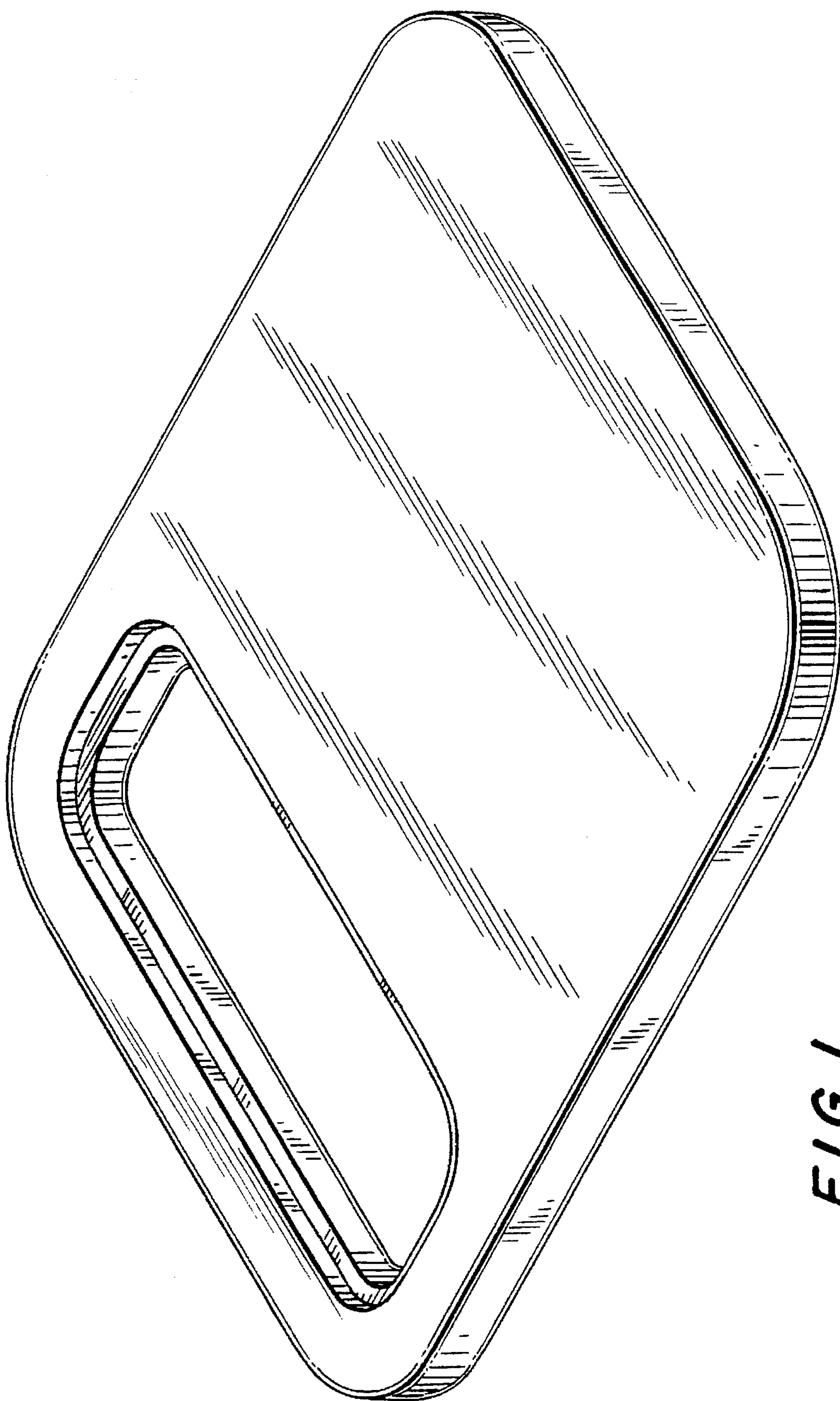
FIG. 8 is a front elevational view thereof, the rear elevational view being the same in appearance;

FIG. 9 is a right side elevational view thereof, the left side elevational view being the same in appearance; and,

FIG. 10 is a bottom plan view thereof.

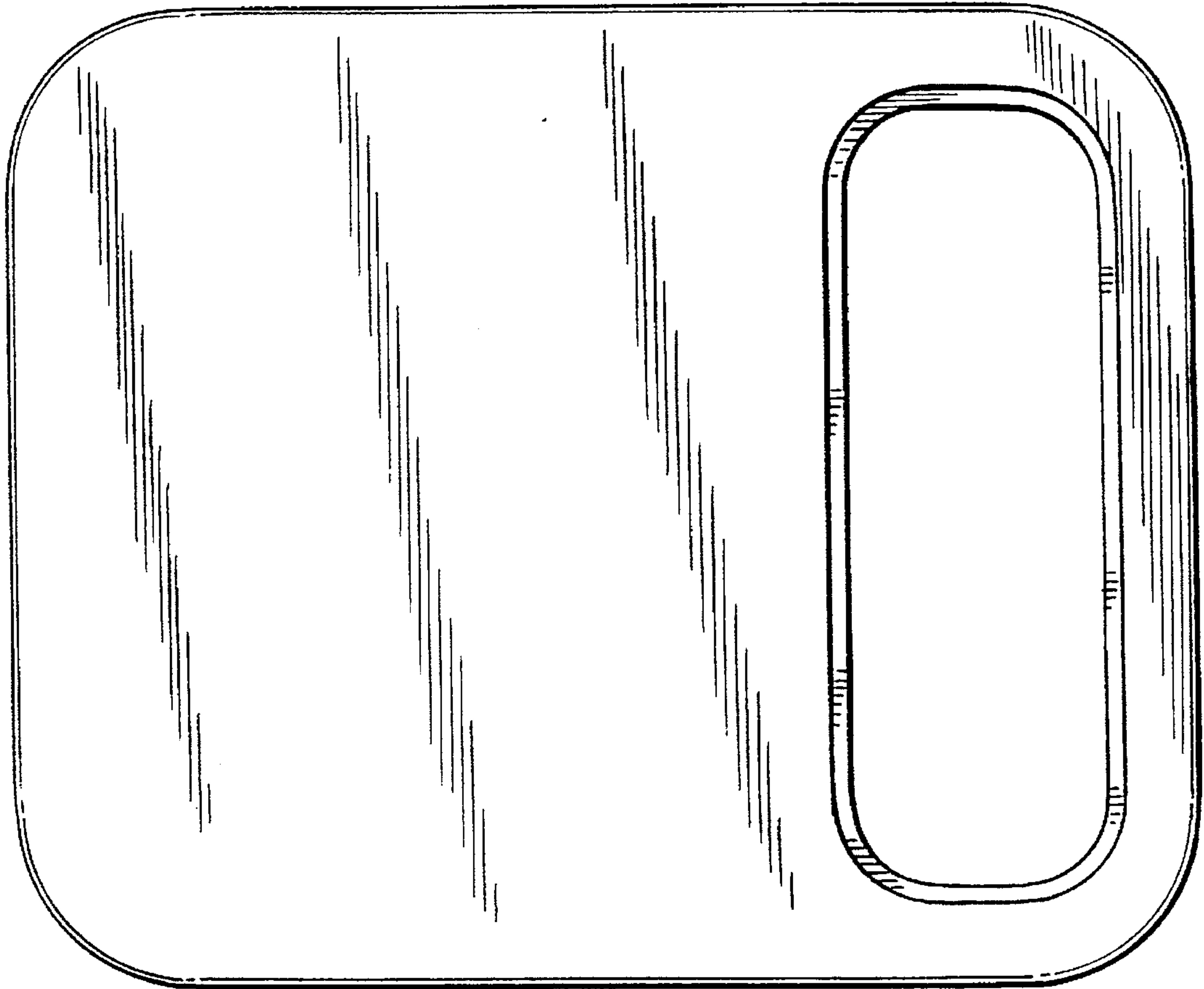
**1 Claim, 6 Drawing Sheets**



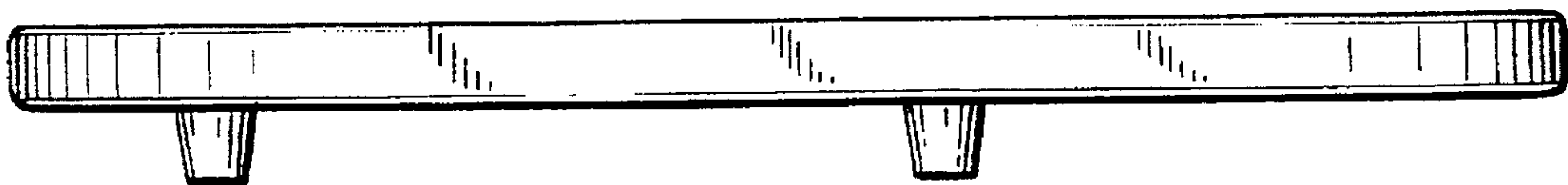


*FIG. 1*

*FIG. 2*

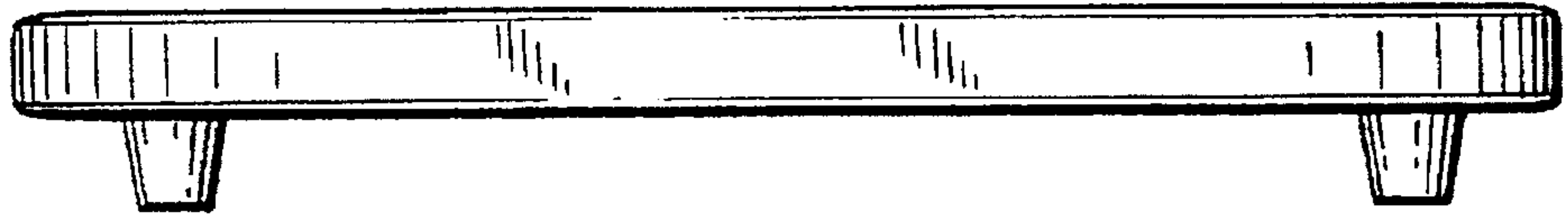


*FIG. 3*

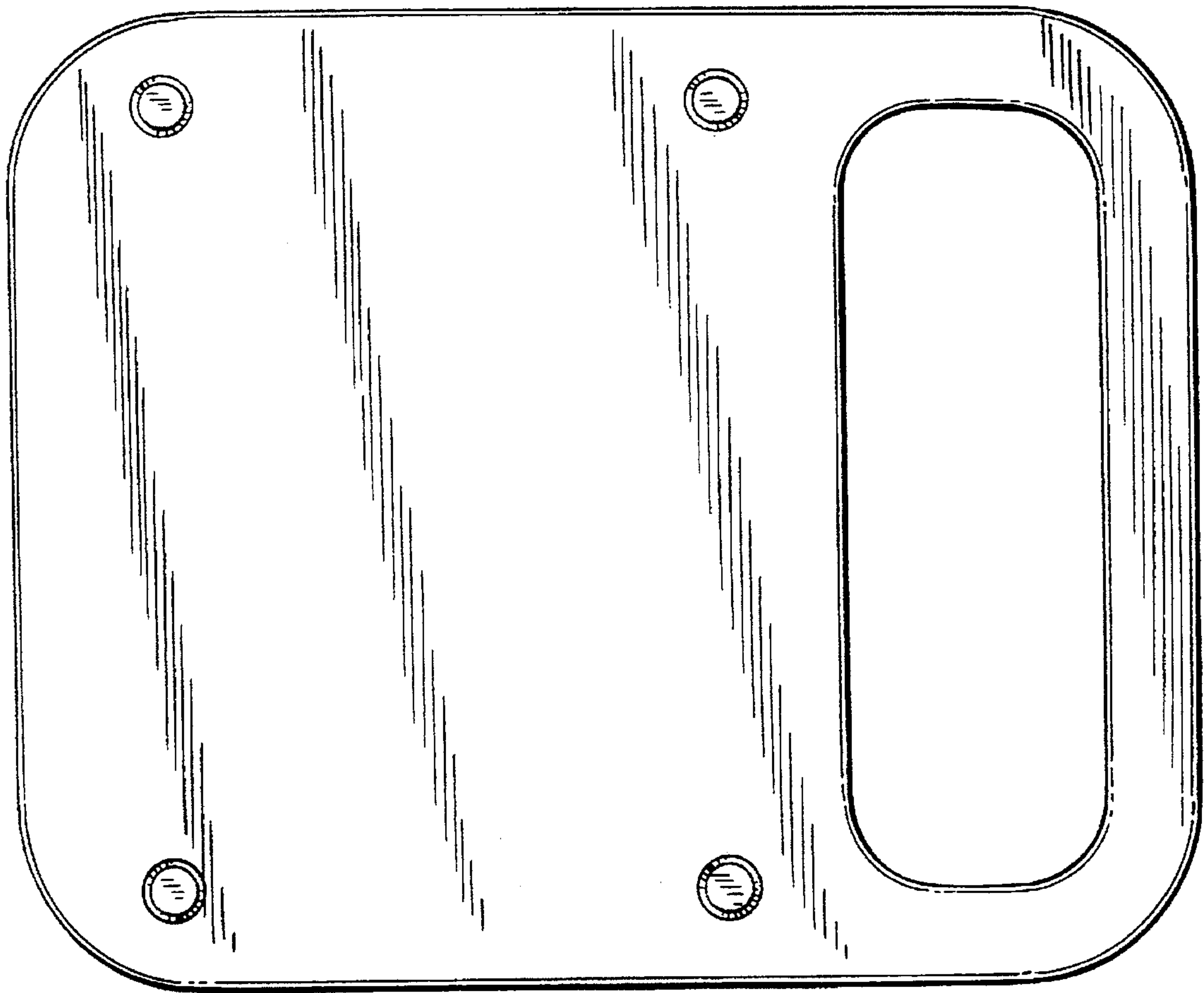




*FIG. 4*



*FIG. 5*



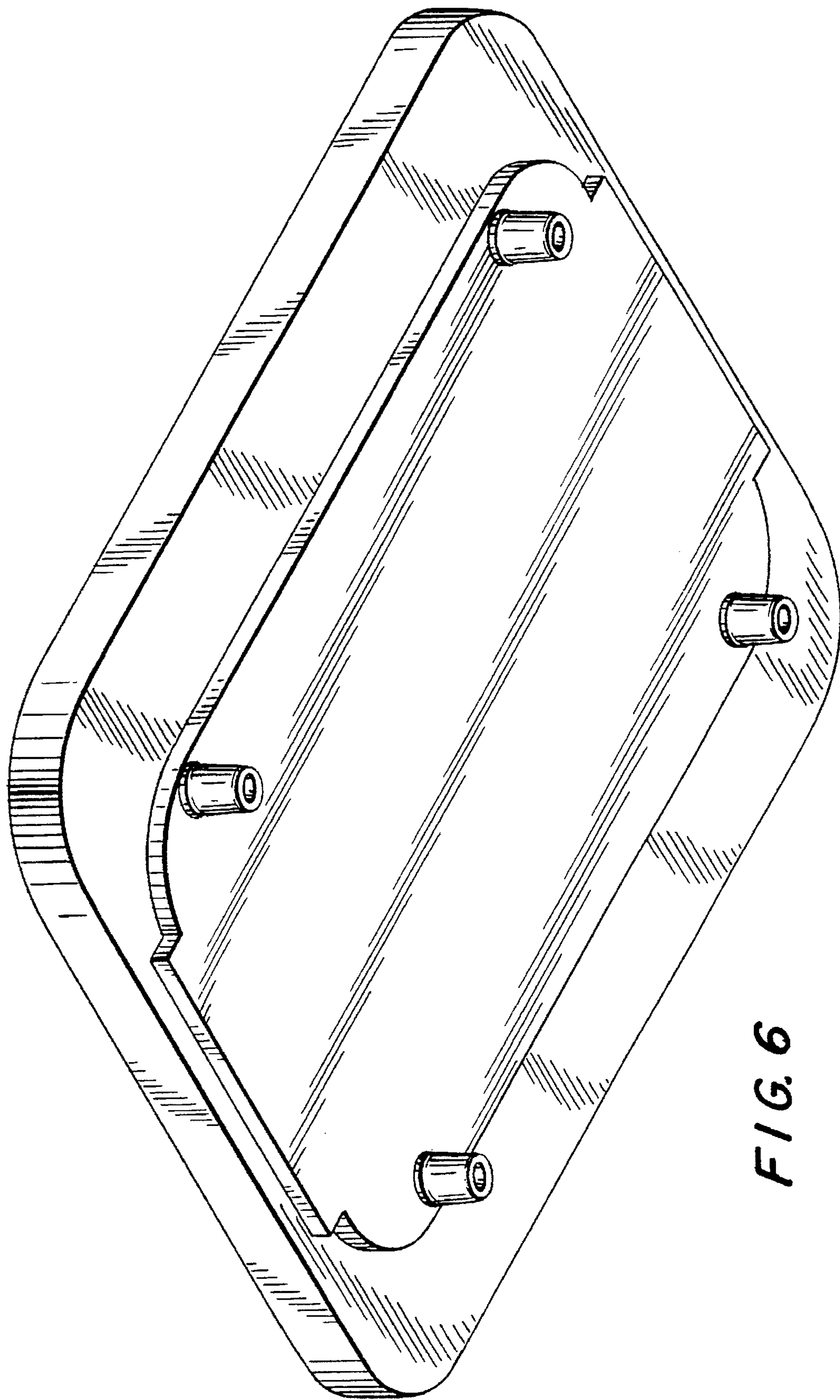
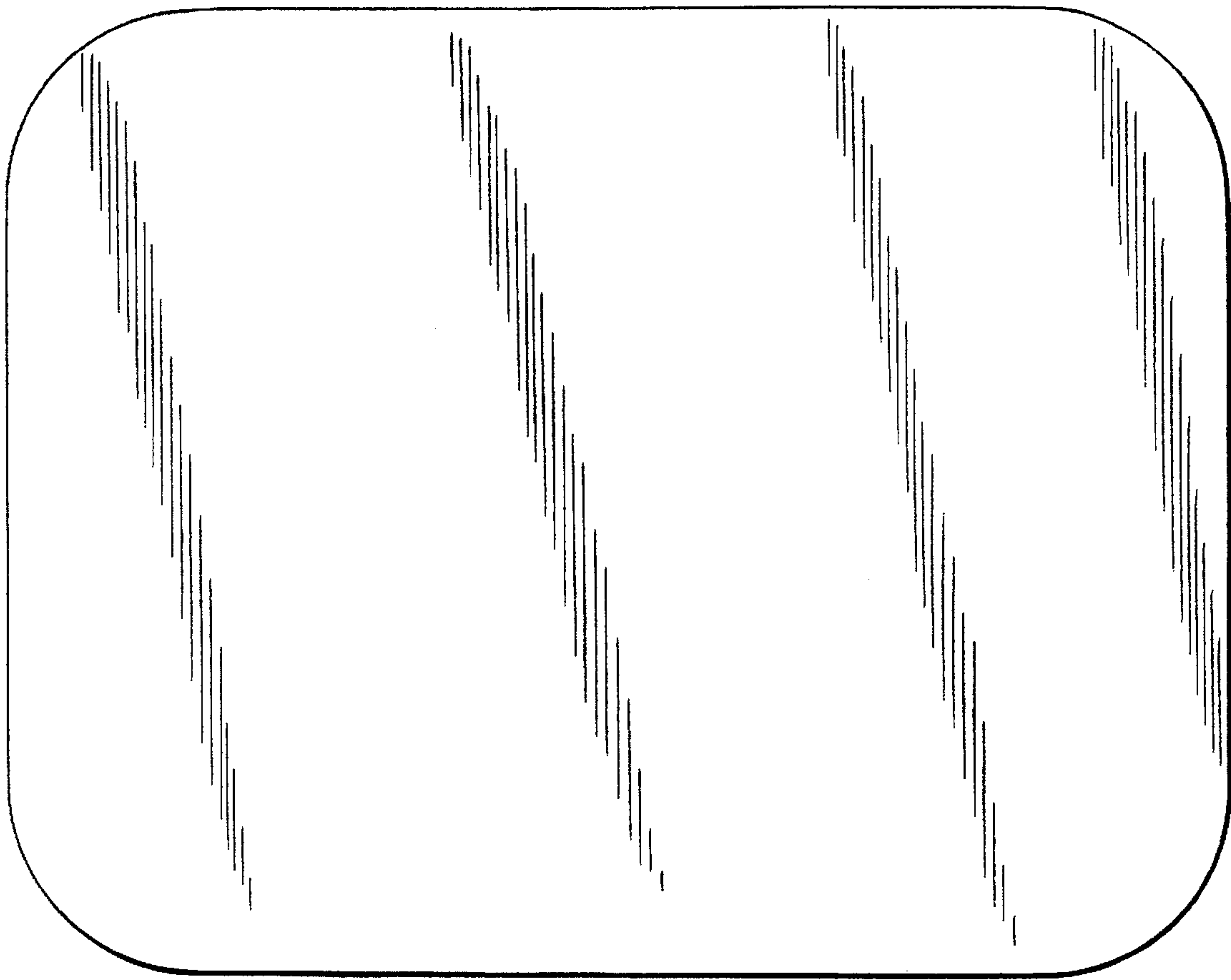


FIG. 6

*FIG. 7*



*FIG. 8*

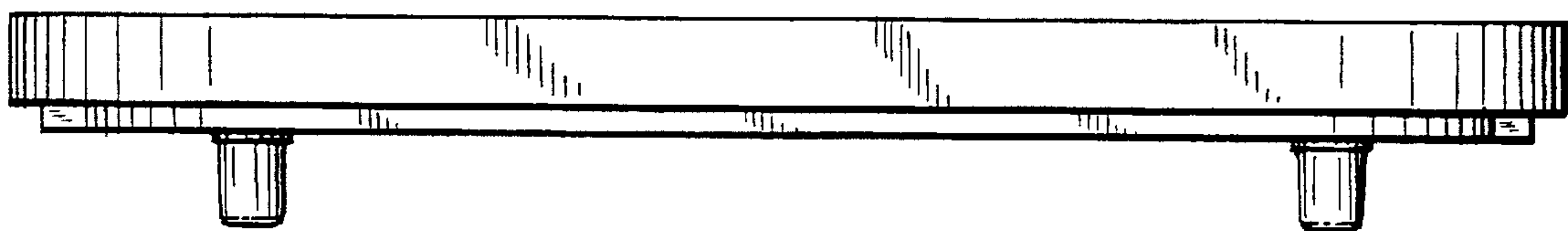


FIG. 9

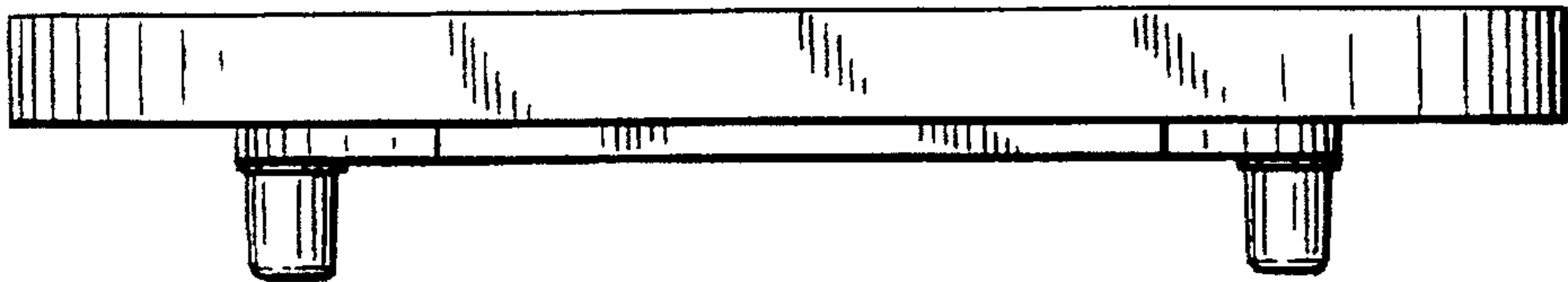


FIG. 10

