



US00D381562S

United States Patent [19]

Westcott

[11] Patent Number: **Des. 381,562**

[45] Date of Patent: ****Jul. 29, 1997**

[54] **CONTAINER FOR HOLDING A VARIETY OF
CONDIMENTS**

Primary Examiner—Terry A. Wallace
Attorney, Agent, or Firm—Haugen and Nikolai, P.A.

[75] Inventor: **Michael Westcott**, Cohasset, Mass.

[57] **CLAIM**

[73] Assignee: **Emplast, Inc.**, Shakopee, Minn.

The ornamental design for the “container for holding a variety of condiments,” as shown and described.

[**] Term: **14 Years**

DESCRIPTION

[21] Appl. No.: **54,228**

FIG. 1 is a perspective view of the container for holding a variety of condiments showing my new design;

[22] Filed: **May 10, 1996**

[51] **LOC (6) Cl.** **07-06**

FIG. 2 is a side elevation view thereof, the opposite side being a mirror image;

[52] **U.S. Cl.** **D7/600; D3/309**

[58] **Field of Search** **D7/590, 600; D3/307-314; 206/553, 372, 216; 211/13, 41, 70.7, 71, 74; 220/507**

FIG. 3 is a front elevation view thereof, the opposite side being a mirror image;

FIG. 4 is a bottom plan view thereof; and,

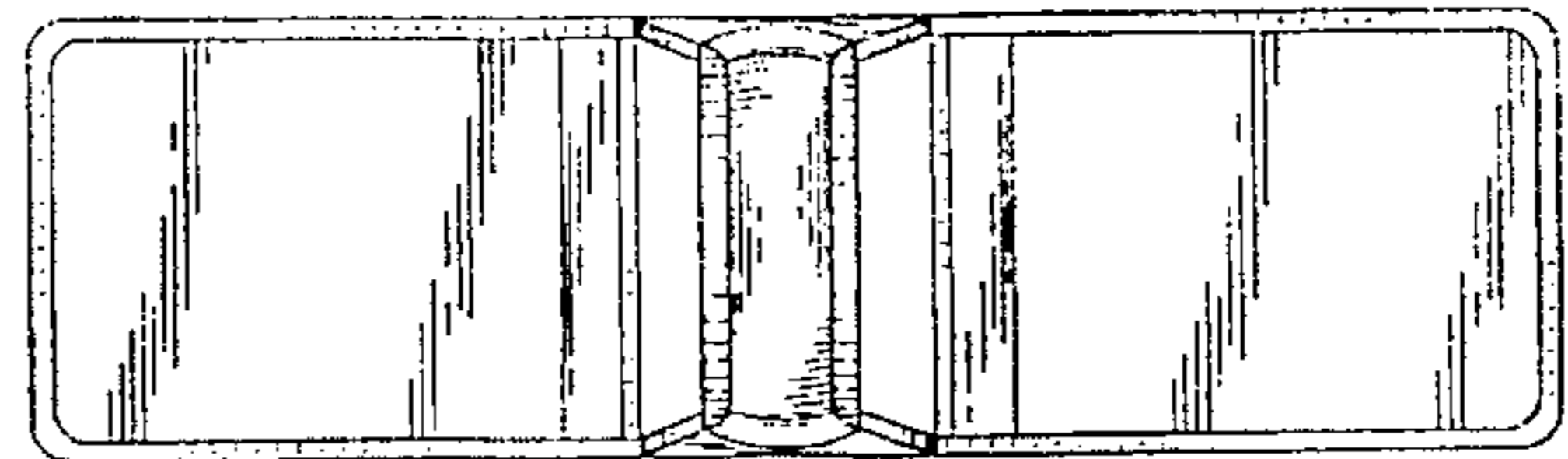
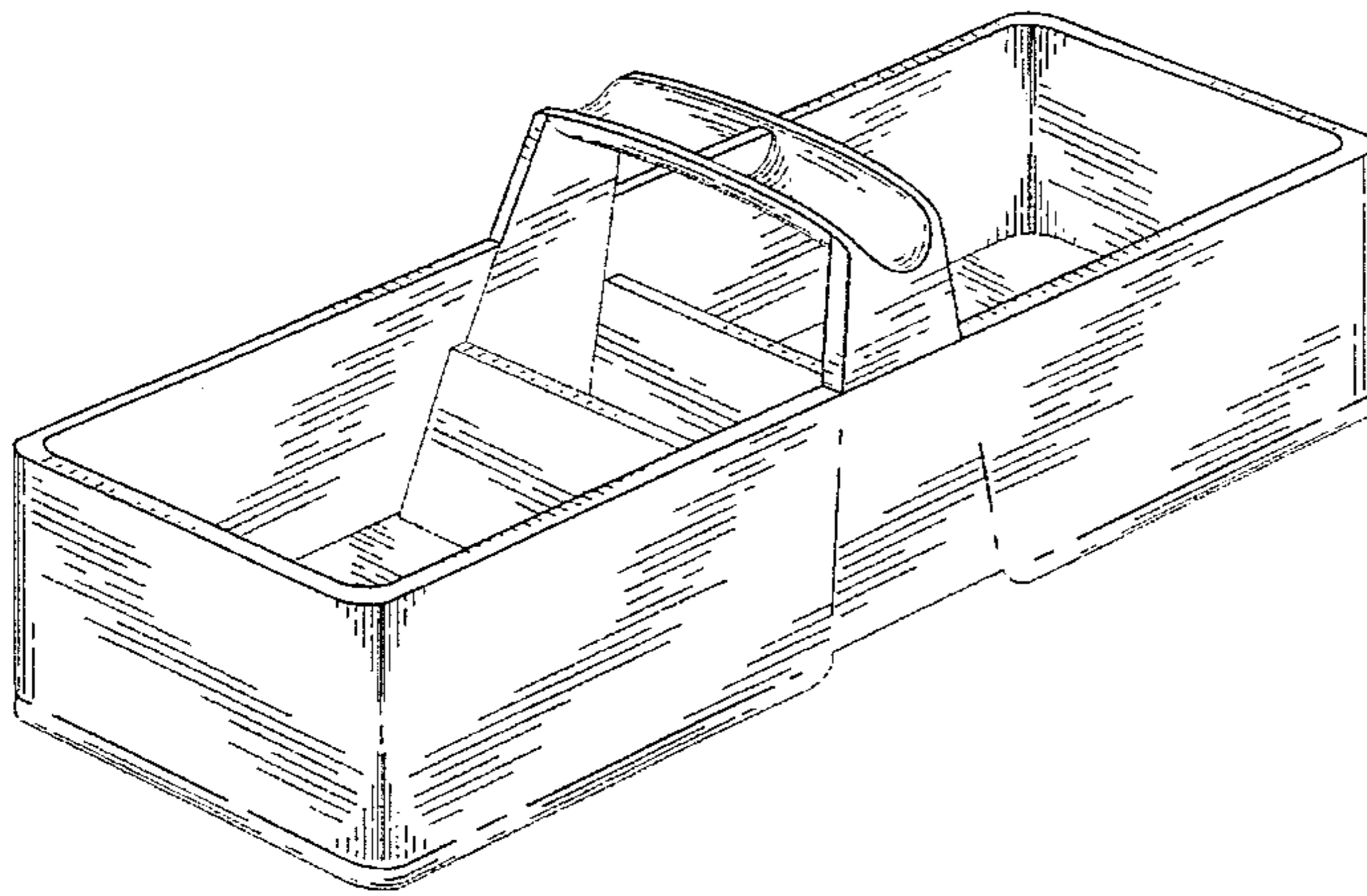
FIG. 5 is a top plan view thereof.

[56] **References Cited**

U.S. PATENT DOCUMENTS

D. 307,967	5/1990	Lanius	D3/309
3,167,211	1/1965	McCormick	D3/309 X
5,086,917	2/1992	Dzleirsk et al.	D3/309 X

1 Claim, 2 Drawing Sheets



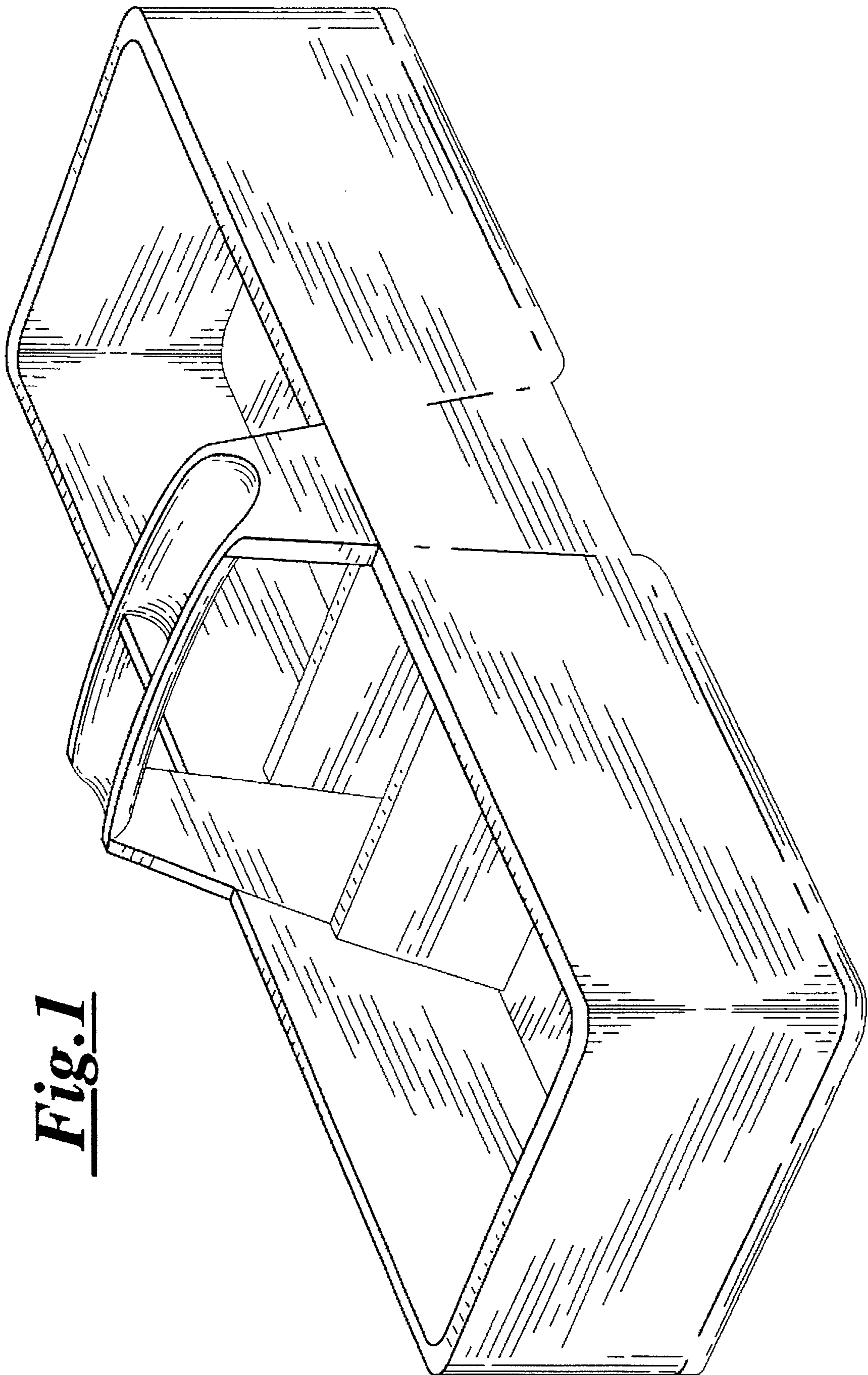


Fig. 1

Fig. 5

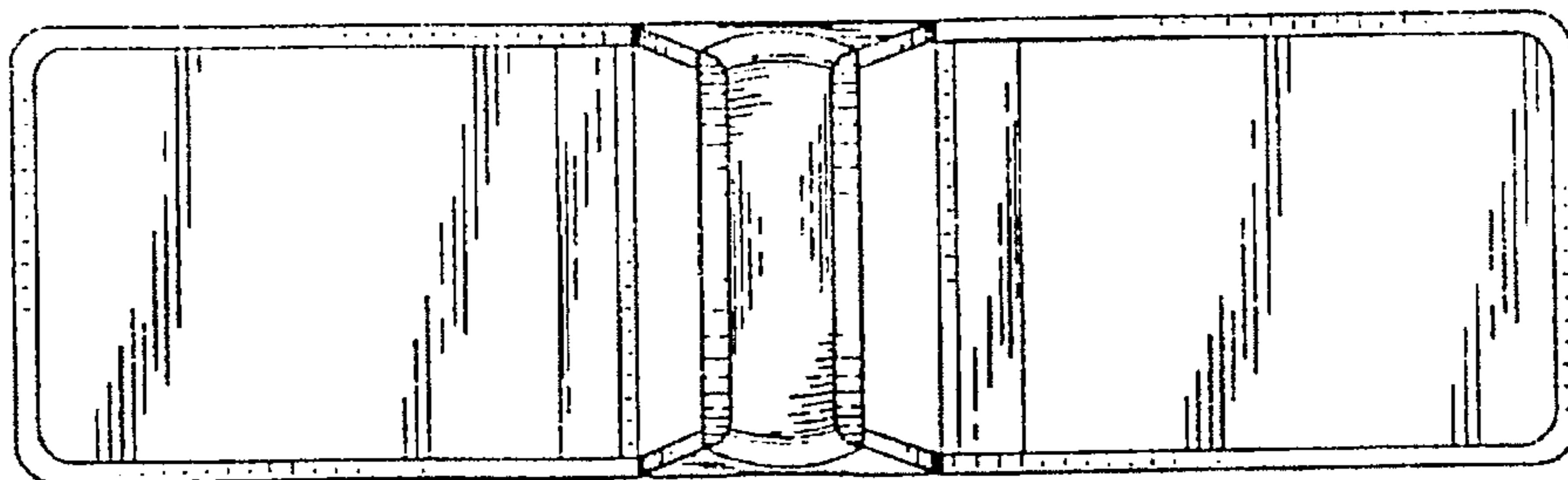


Fig. 4

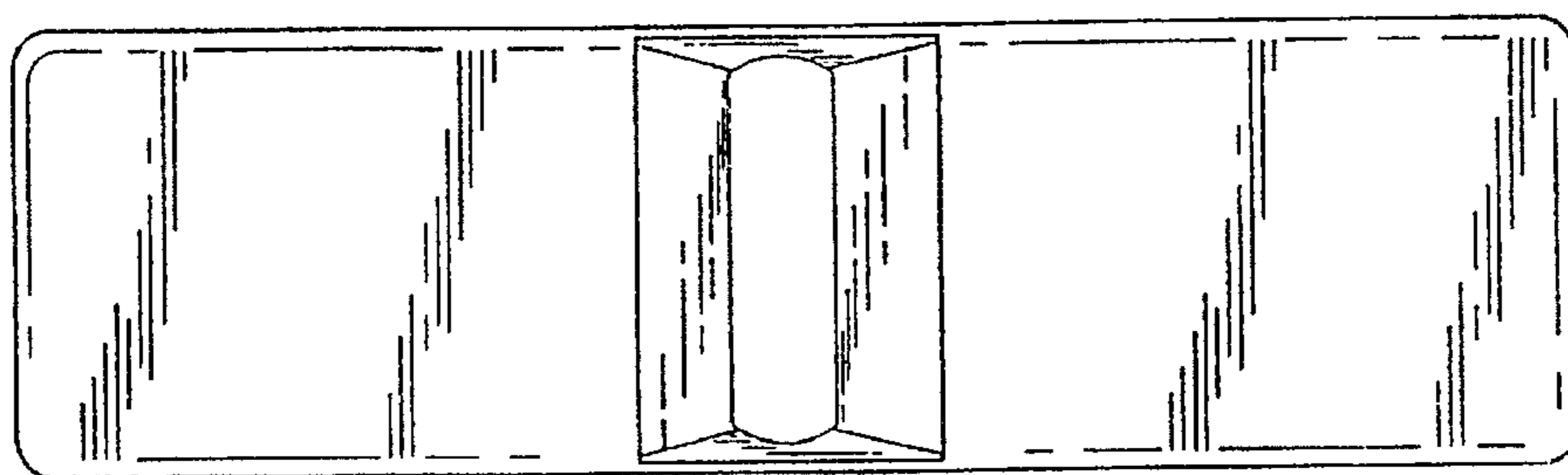


Fig. 2

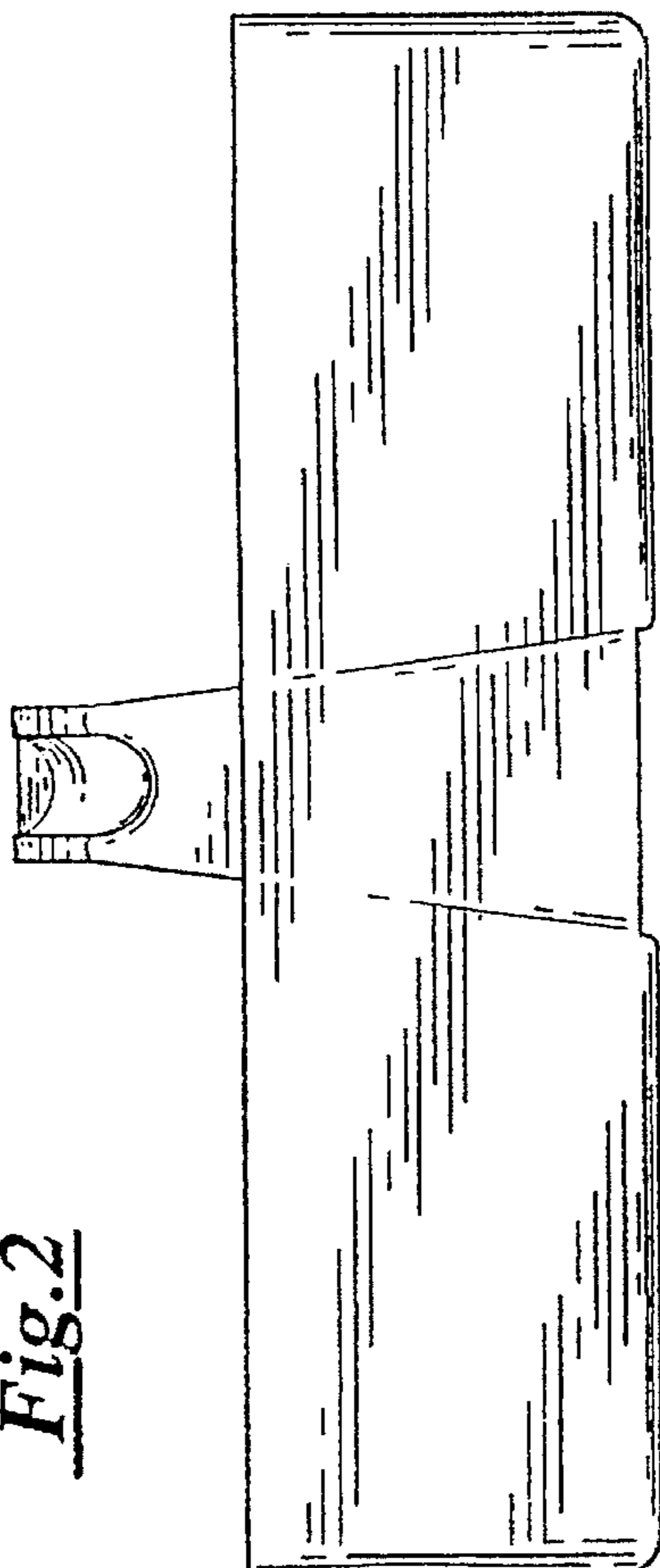


Fig. 3

