



US00D381557S

United States Patent [19]

[11] Patent Number: **Des. 381,557**

Bradley et al.

[45] Date of Patent: ****Jul. 29, 1997**

[54] **COMBINED BARBEQUE GRILL AND RING SHELF**

[75] Inventors: **Kathy L. Bradley**, Mt. Washington; **Richard H. Bird**; **Olden A. Dockery**, both of Louisville, all of Ky.; **Randy A. Smitley**, Corydon; **Calvin F. Sprinkle**, Borden, both of Ind.; **Donald T. Payne**, Louisville, Ky.

[73] Assignee: **Porcelain Metals Corporation**, Louisville, Ky.

[**] Term: **14 Years**

[21] Appl. No.: **42,480**

[22] Filed: **Aug. 11, 1995**

[51] LOC (6) Cl. **07-02**

[52] U.S. Cl. **D7/402; D7/332; D7/334**

[58] Field of Search **D7/332-337, 348, D7/350, 338; 126/25 R, 25 A, 25 AA, 26, 275 R, 275 E, 197; 99/419, 421 R, 467, 482, 2, 356, 341, 200; D23/332, 336; D32/33**

[56] **References Cited**

U.S. PATENT DOCUMENTS

| | | | |
|------------|--------|--------------------|--------|
| D. 295,135 | 4/1988 | Ogden | D7/334 |
| D. 315,079 | 3/1991 | Jui-Yen | D7/334 |
| D. 322,909 | 1/1992 | Parent et al. . | |
| D. 325,315 | 4/1992 | Parent et al. | D7/334 |
| D. 325,316 | 4/1992 | Parent et al. . | |
| D. 325,318 | 4/1992 | Parent et al. . | |

| | | | |
|------------|---------|-----------------------|--------|
| D. 327,805 | 7/1992 | Parent et al. . | |
| D. 350,668 | 9/1994 | Giebel et al. | D7/334 |
| D. 351,308 | 10/1994 | Pai | D7/334 |
| D. 356,924 | 4/1995 | Pai | D7/334 |
| 2,886,386 | 5/1959 | Spitzer . | |
| 4,337,751 | 7/1982 | Sampson et al. . | |
| 4,677,964 | 7/1987 | Lohmeyer et al. . | |
| 4,762,114 | 8/1988 | Blankemeyer . | |
| 4,966,125 | 10/1990 | Stephen et al. . | |
| 5,016,607 | 5/1991 | Doolittle et al. . | |
| 5,036,832 | 8/1991 | Schlosser et al. | D7/334 |
| 5,165,385 | 11/1992 | Doolittle et al. . | |

Primary Examiner—Ruth McInroy

Attorney, Agent, or Firm—Middleton & Reutlinger; David W. Carrithers

[57] **CLAIM**

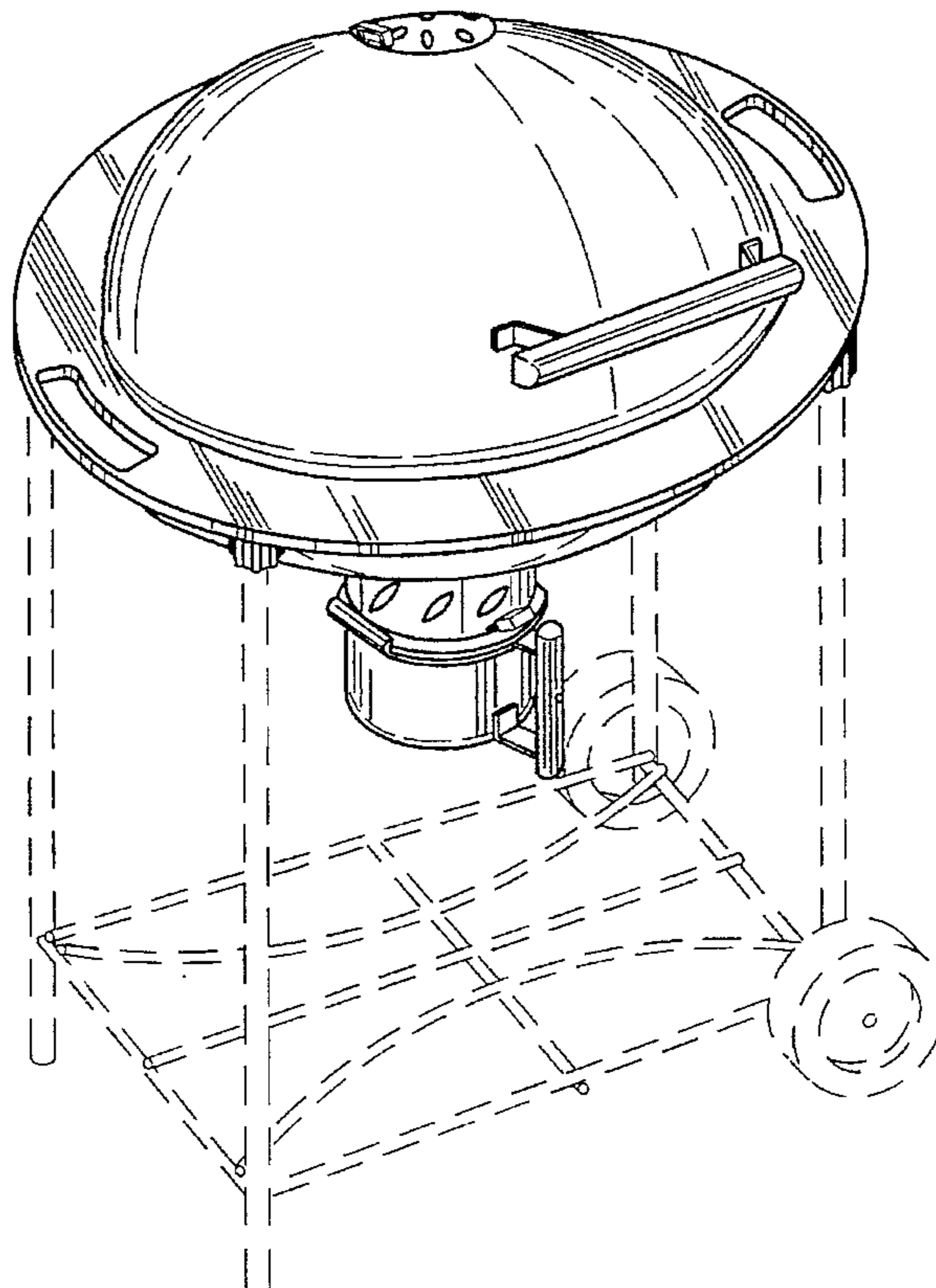
The ornamental design for a combined barbeque grill and ring shelf, as shown and described.

DESCRIPTION

FIG. 1 is an isometric view of a combined barbeque grill and ring shelf showing our new design; FIG. 2 is a plan top view thereof; FIG. 3 is a front elevational view thereof; FIG. 4 is a rear elevational view thereof; FIG. 5 is a bottom plan view thereof; FIG. 6 is a right side view thereof; and, FIG. 7 is a left side view thereof.

The structure shown in broken lines in FIGS. 1-8 is shown for illustrative purposes only and forms no part of the claimed design.

1 Claim, 4 Drawing Sheets



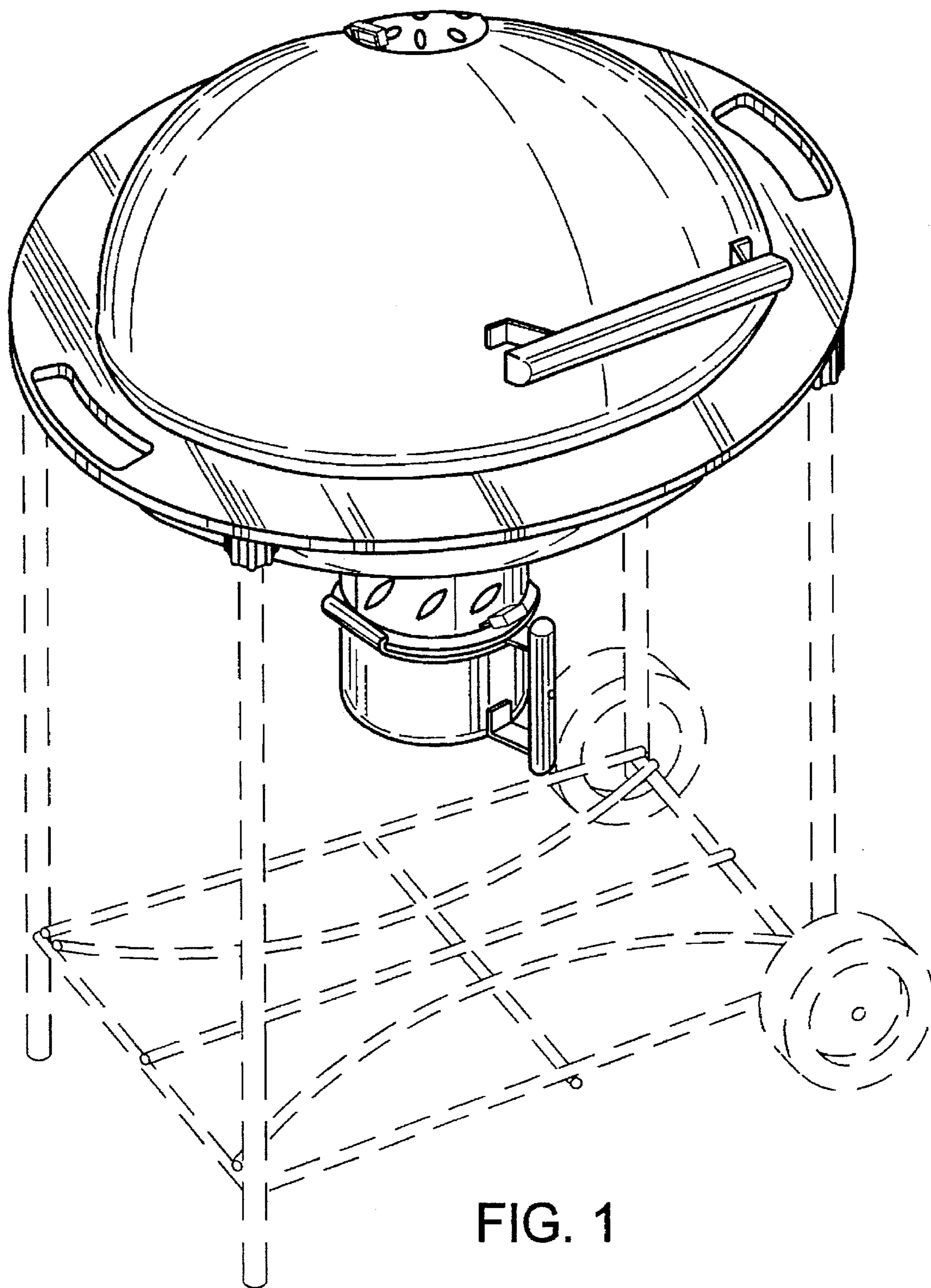


FIG. 1

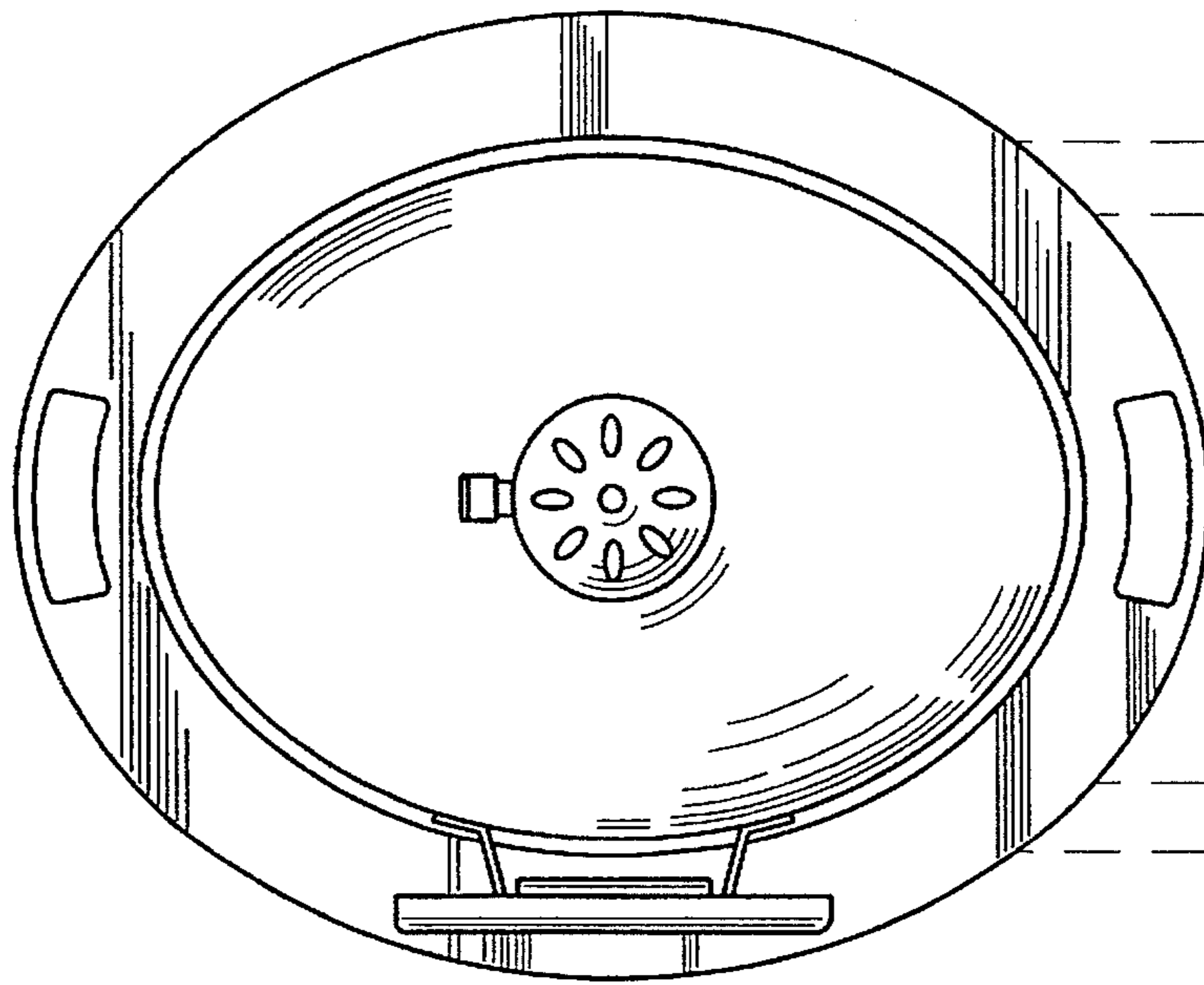


FIG. 2

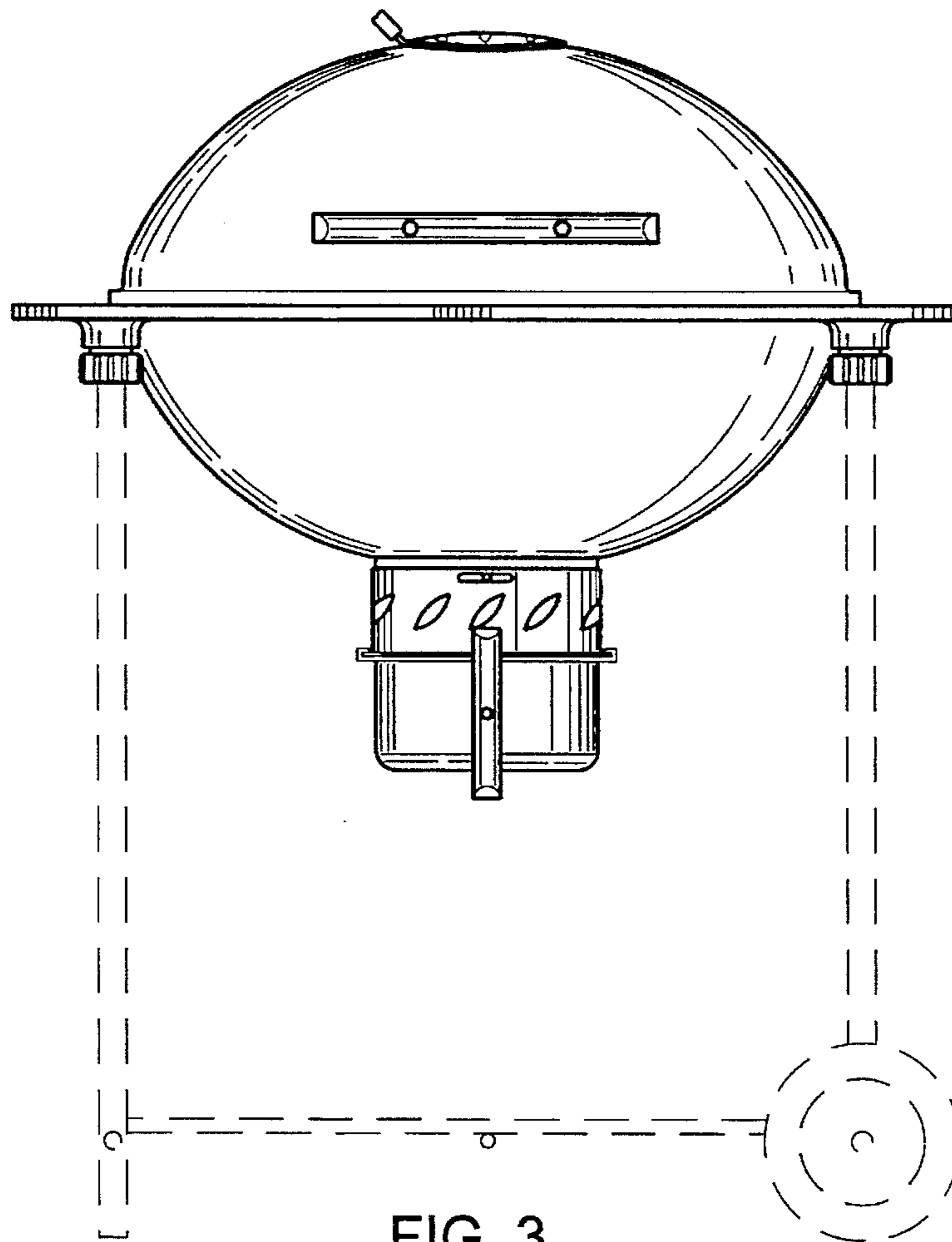


FIG. 3

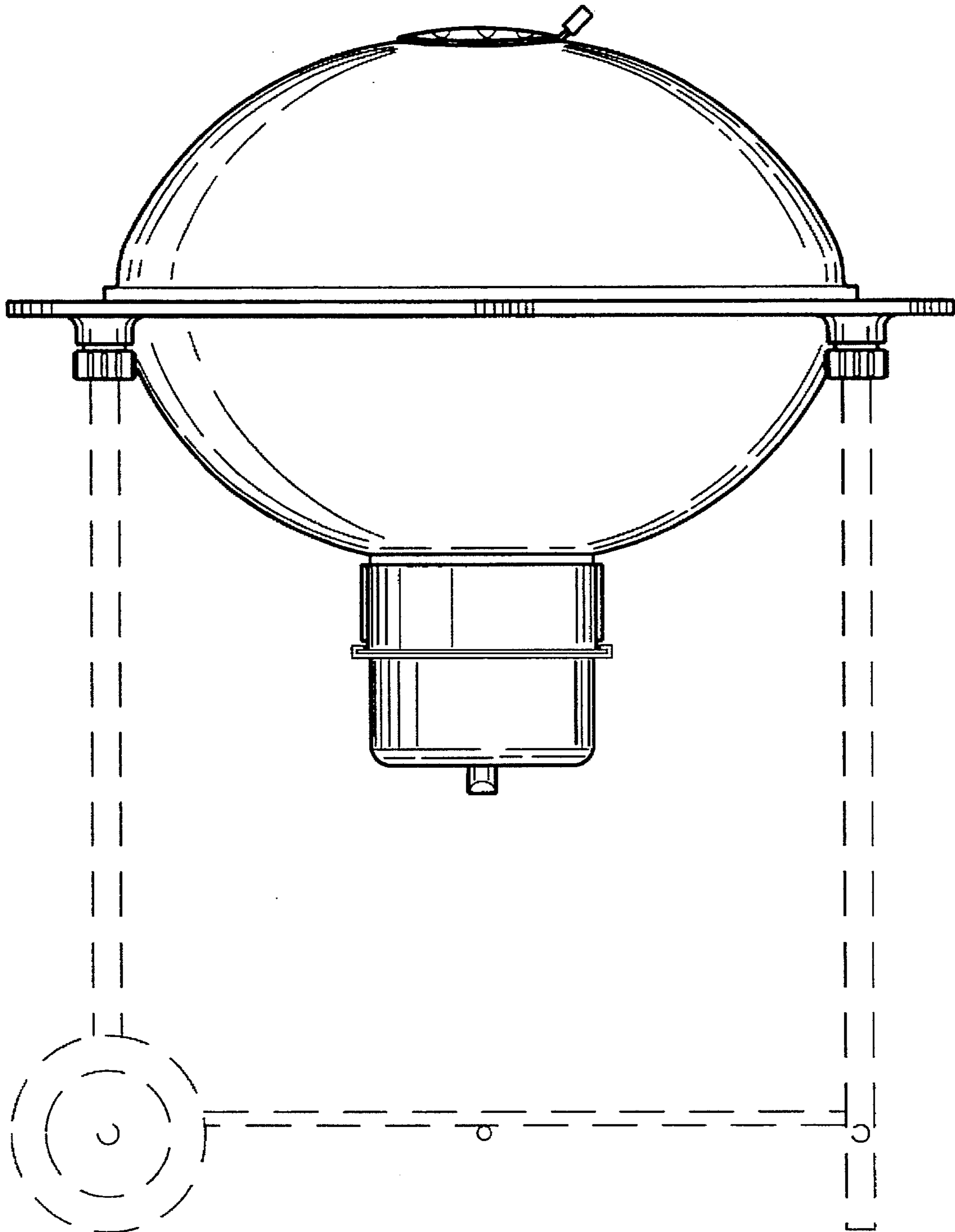


FIG. 4

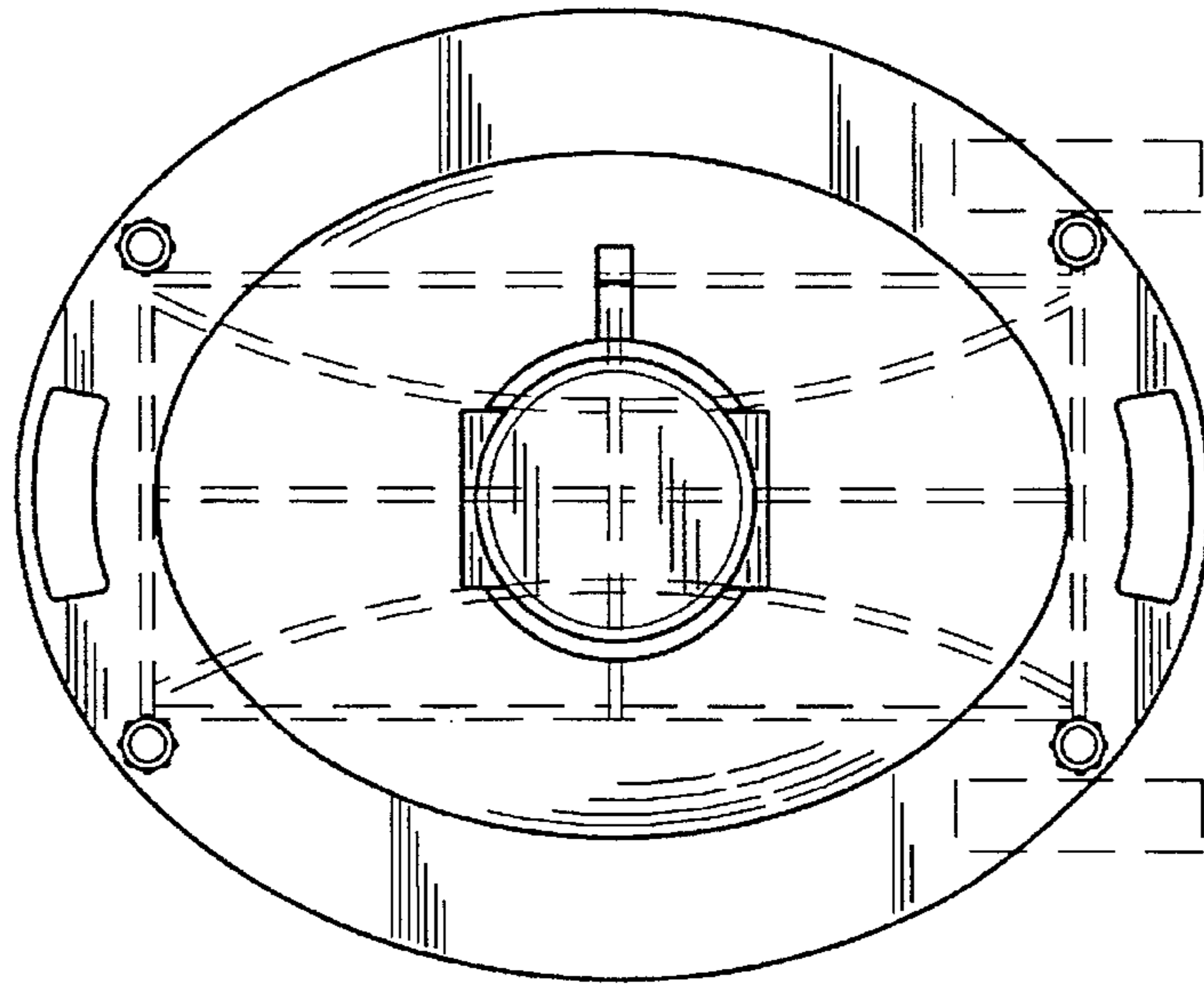


FIG. 5

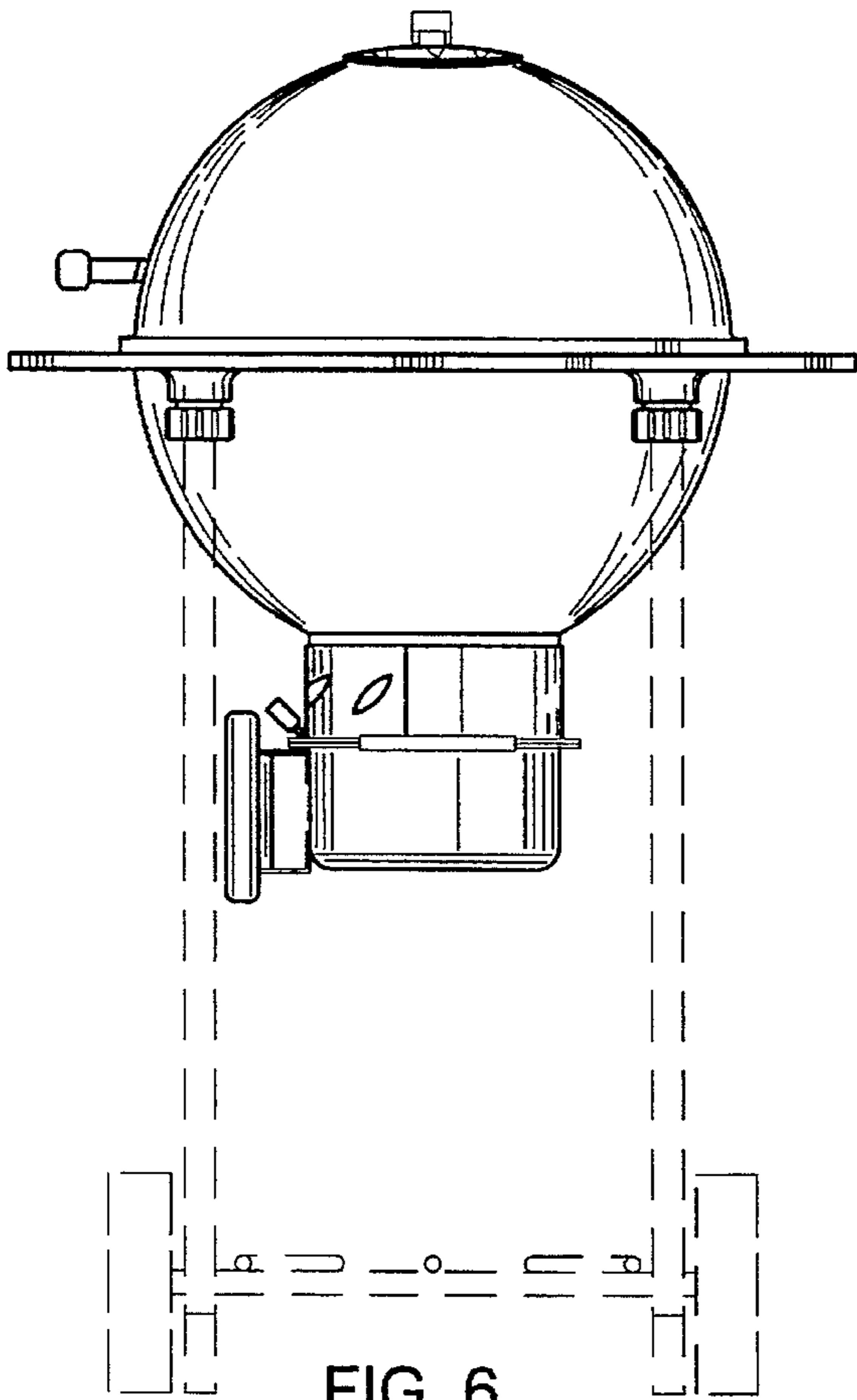


FIG. 6

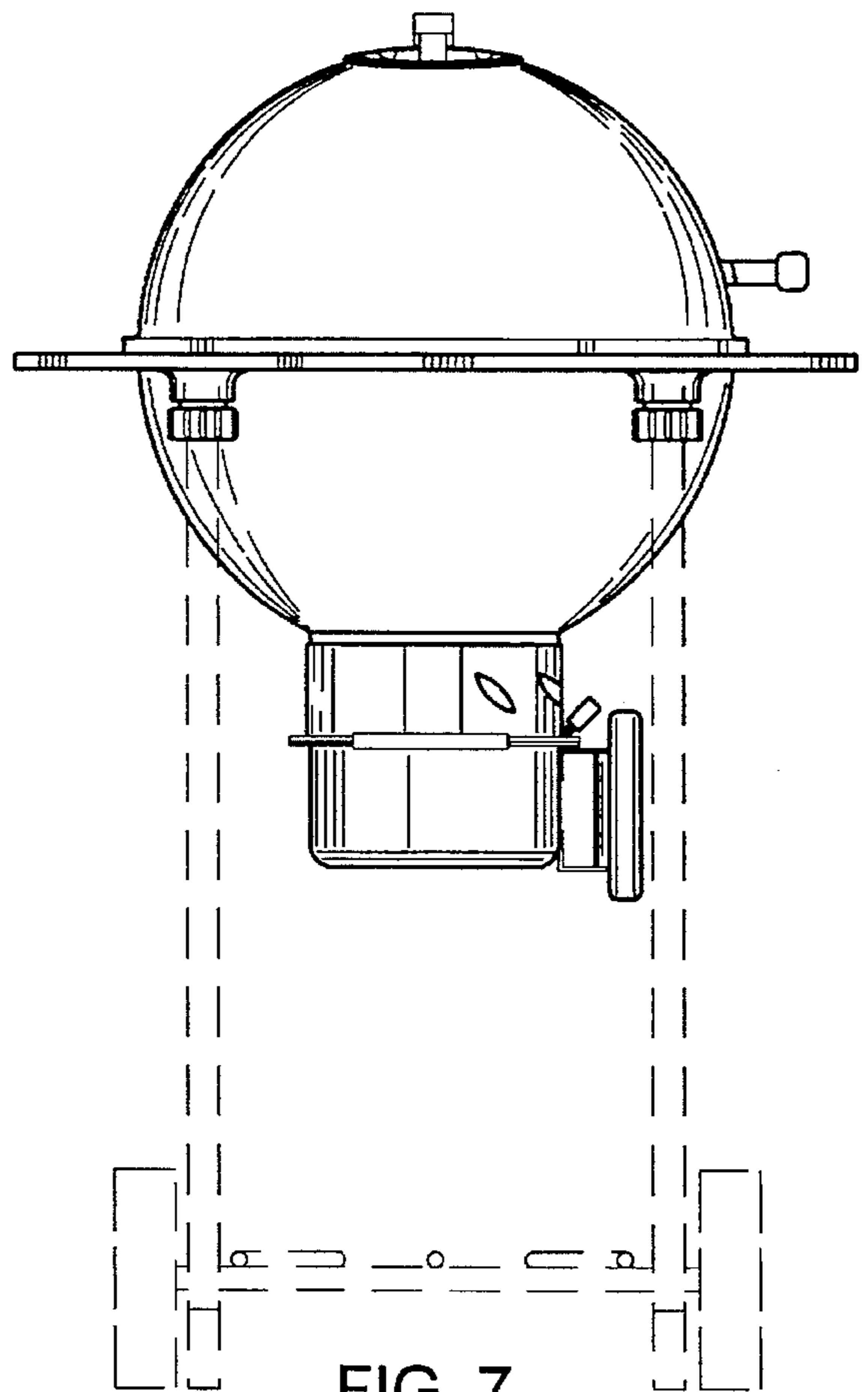


FIG. 7