



US00D381552S

United States Patent [19]

Pizzey et al.

[11] Patent Number: **Des. 381,552**

[45] Date of Patent: ****Jul. 29, 1997**

[54] **COMBINED BARBEQUE GRILL AND SPIT**

[76] Inventors: **Liel M. Pizzey**, 6 John St., North Ringwood 3134; **Allan L. Jones**, 185 Ryans Rd., Eltham Nth. 3095, both of Australia

[**] Term: **14 Years**

[21] Appl. No.: **47,933**

[22] Filed: **Dec. 15, 1995**

[30] **Foreign Application Priority Data**

Sep. 5, 1995 [AU] Australia 2743/95

[51] LOC (6) Cl. **07-02**

[52] U.S. Cl. **D7/332; D7/337**

[58] Field of Search D7/332-338; 126/24, 126/25 R, 25 A, 25 AA, 29-30, 38, 9 R, 19 M, 211, 275 R, 275 E

[56] **References Cited**

U.S. PATENT DOCUMENTS

D. 115,822 9/1939 Morgan D7/337
D. 142,418 9/1945 Jones D7/332

D. 194,448 1/1963 Blumenshine D7/332
D. 251,894 5/1979 Chan D7/337
D. 276,303 11/1984 Chan D7/337
D. 290,923 7/1987 Erickson D7/337
4,508,096 4/1985 Slattery 126/9 R
4,598,690 7/1986 Hsu 126/25 R

Primary Examiner—Ruth McInroy
Attorney, Agent, or Firm—Fulwider Patton Lee & Utecht, LLP

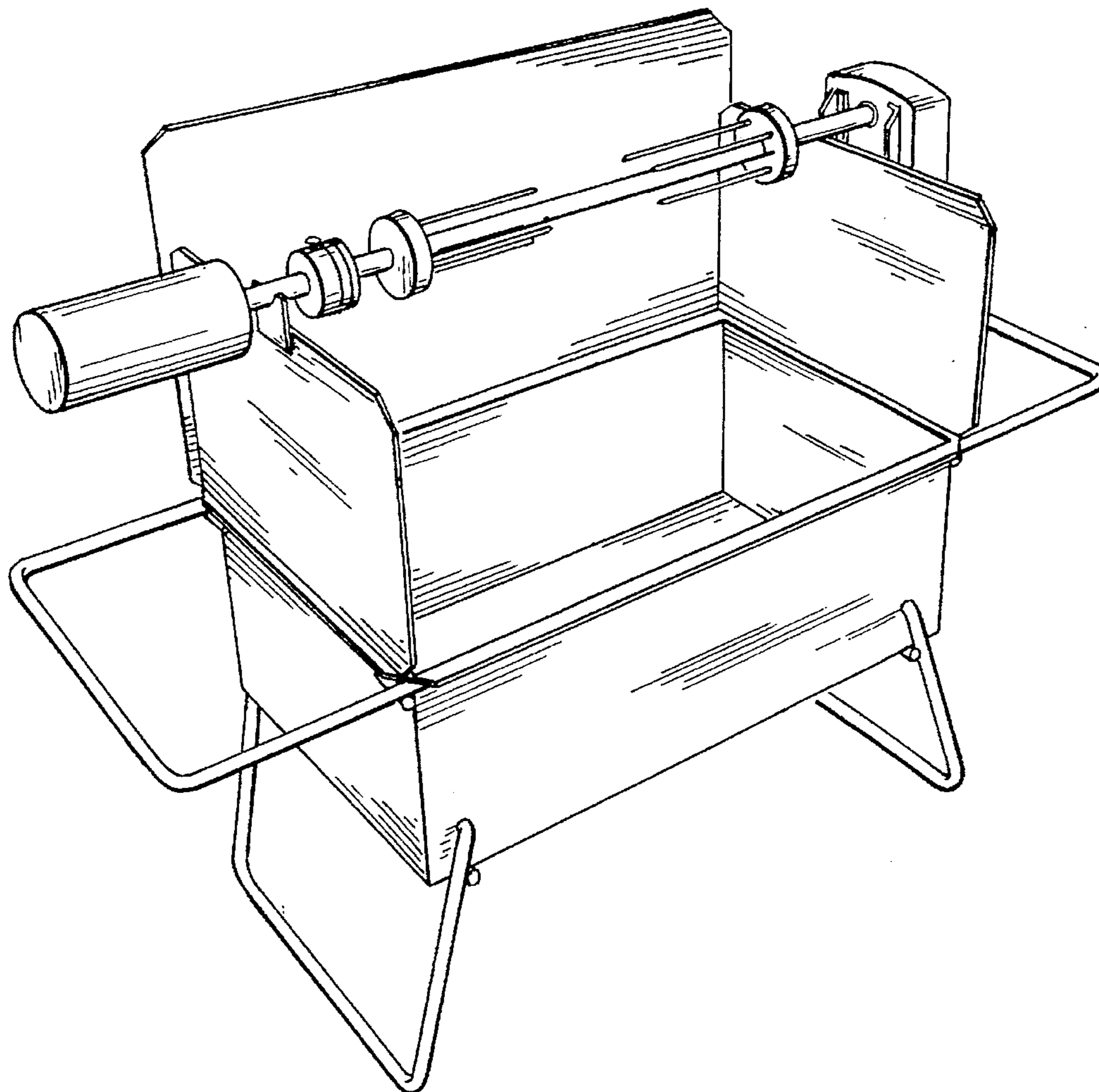
[57] **CLAIM**

The ornamental design for a combined barbeque grill and spit, as shown and described.

DESCRIPTION

FIG. 1 is a perspective view of a combined barbeque grill and spit showing our new design in assembled condition; FIG. 2 is a front elevational view; FIG. 3 is a plan view from above; FIG. 4 is a left end elevational view thereof; FIG. 5 is a right end elevational view thereof; FIG. 6 is a rear elevational view; and, FIG. 7 is a perspective view in packaged condition.

1 Claim, 3 Drawing Sheets



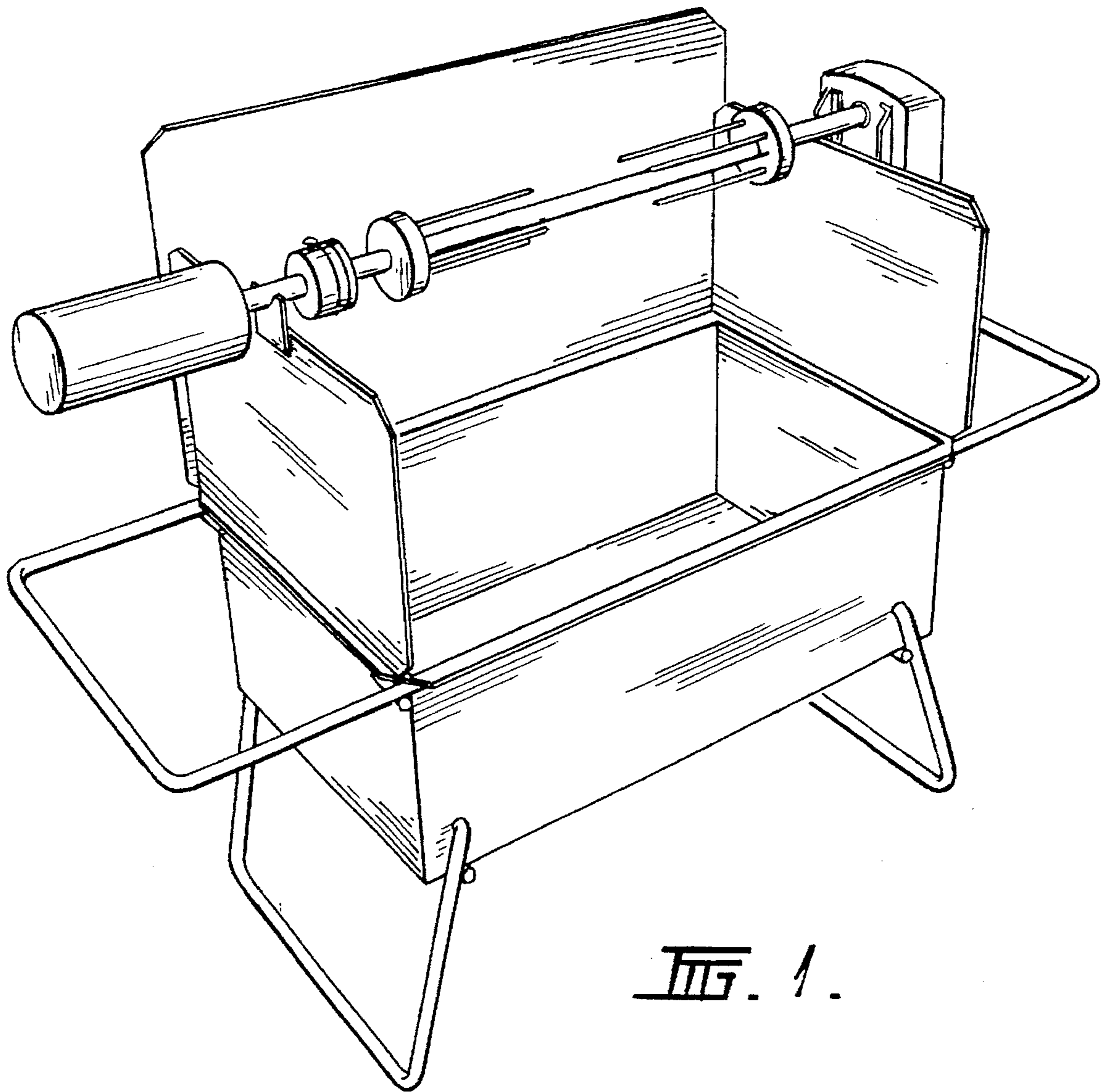


FIG. 1.

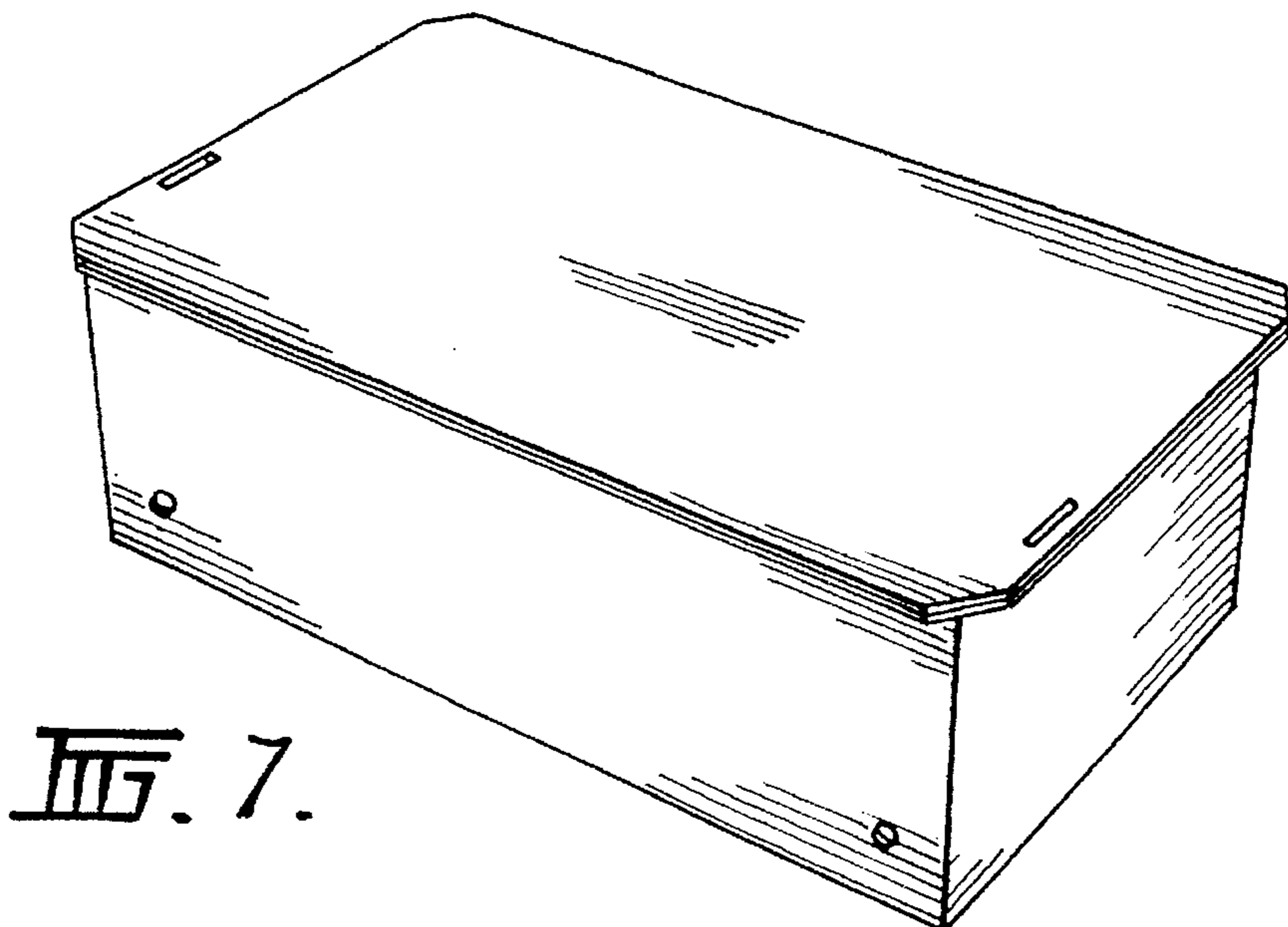


FIG. 7.

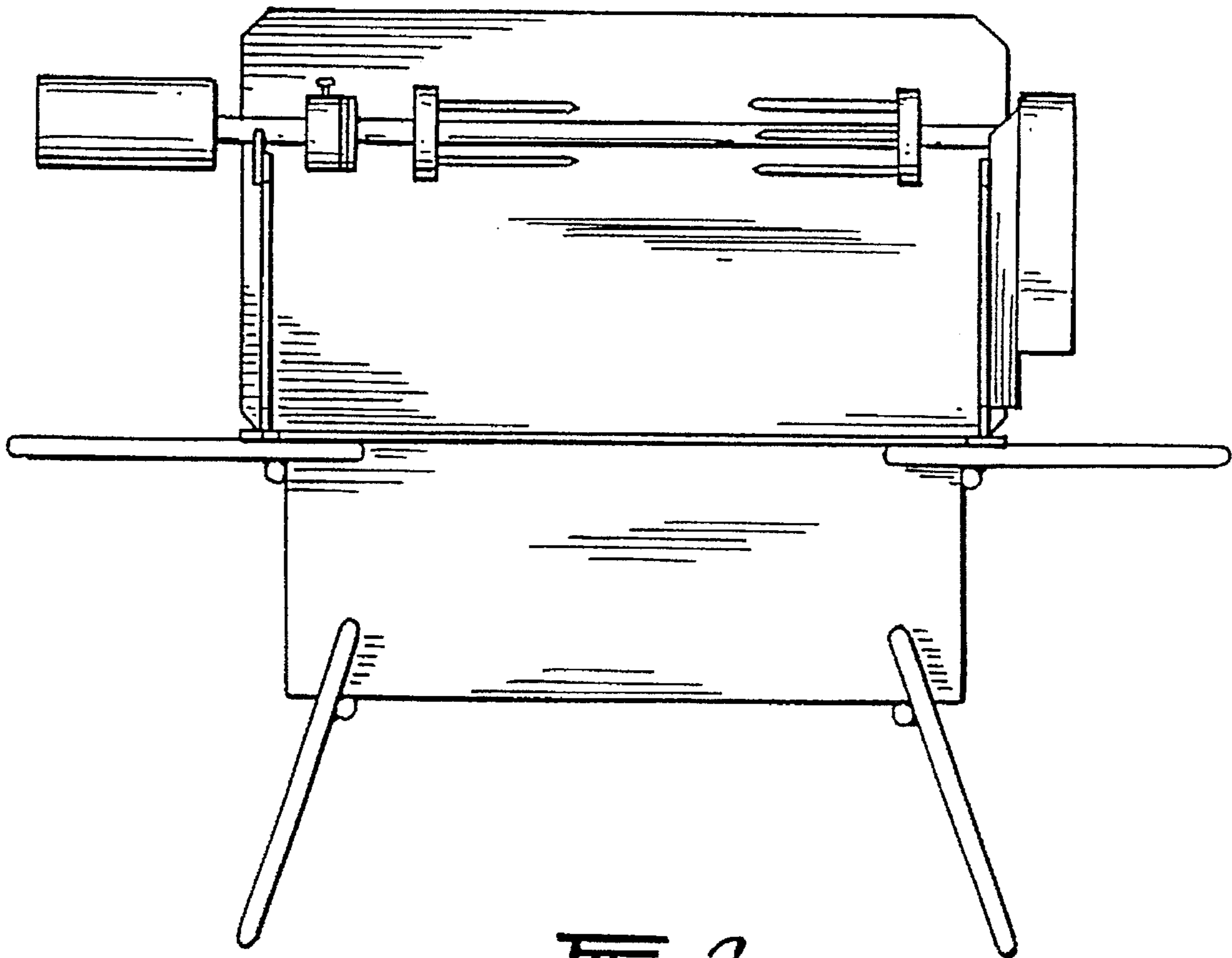


FIG. 2.

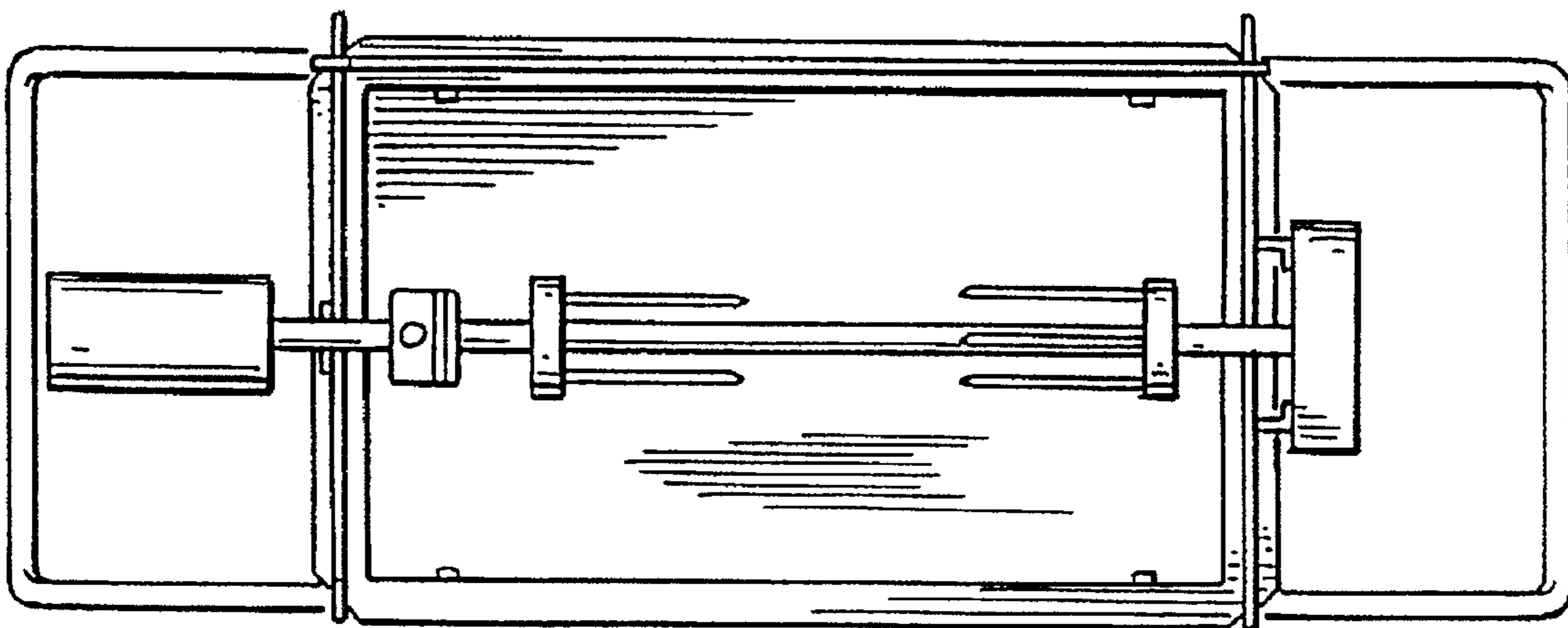


FIG. 3.

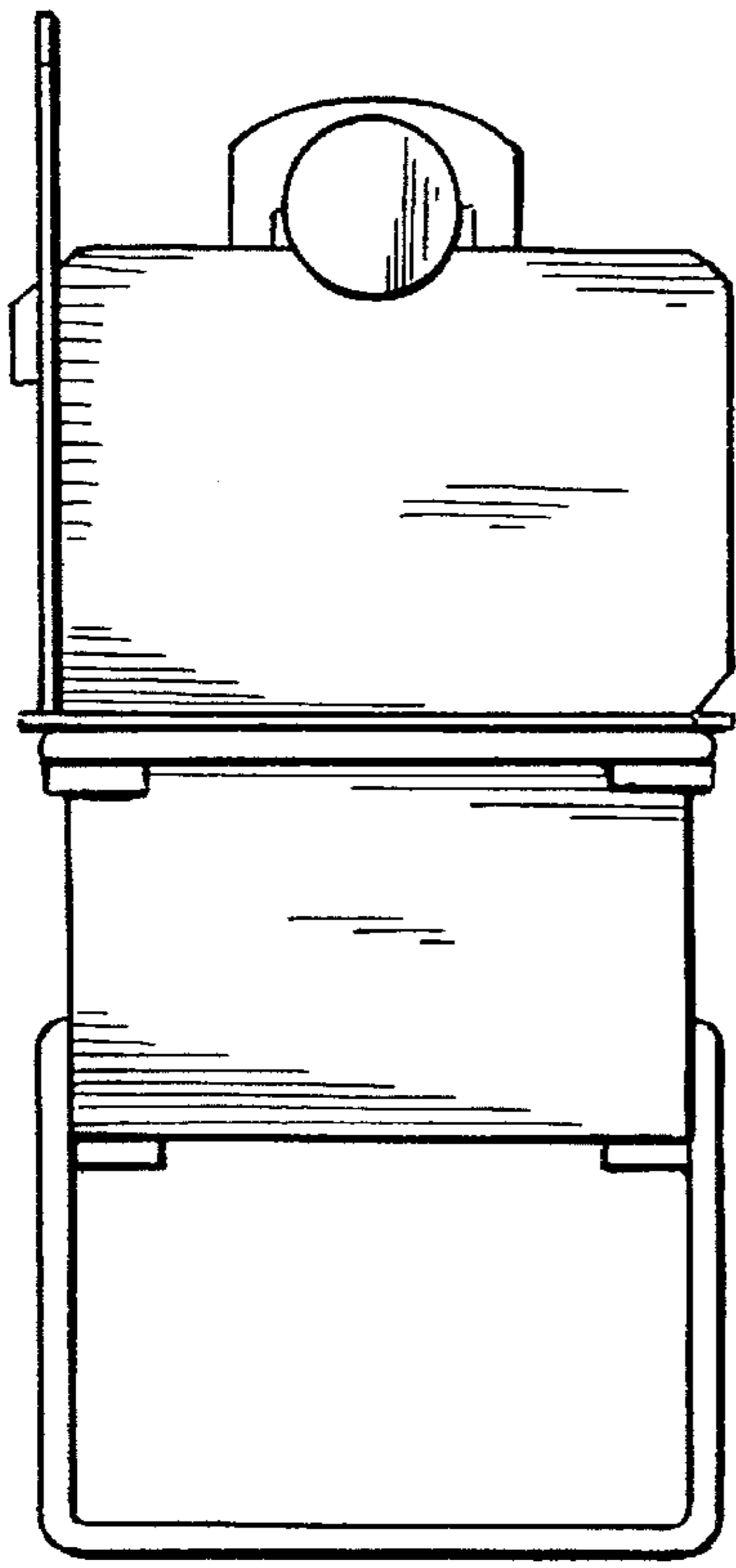


FIG. 4.

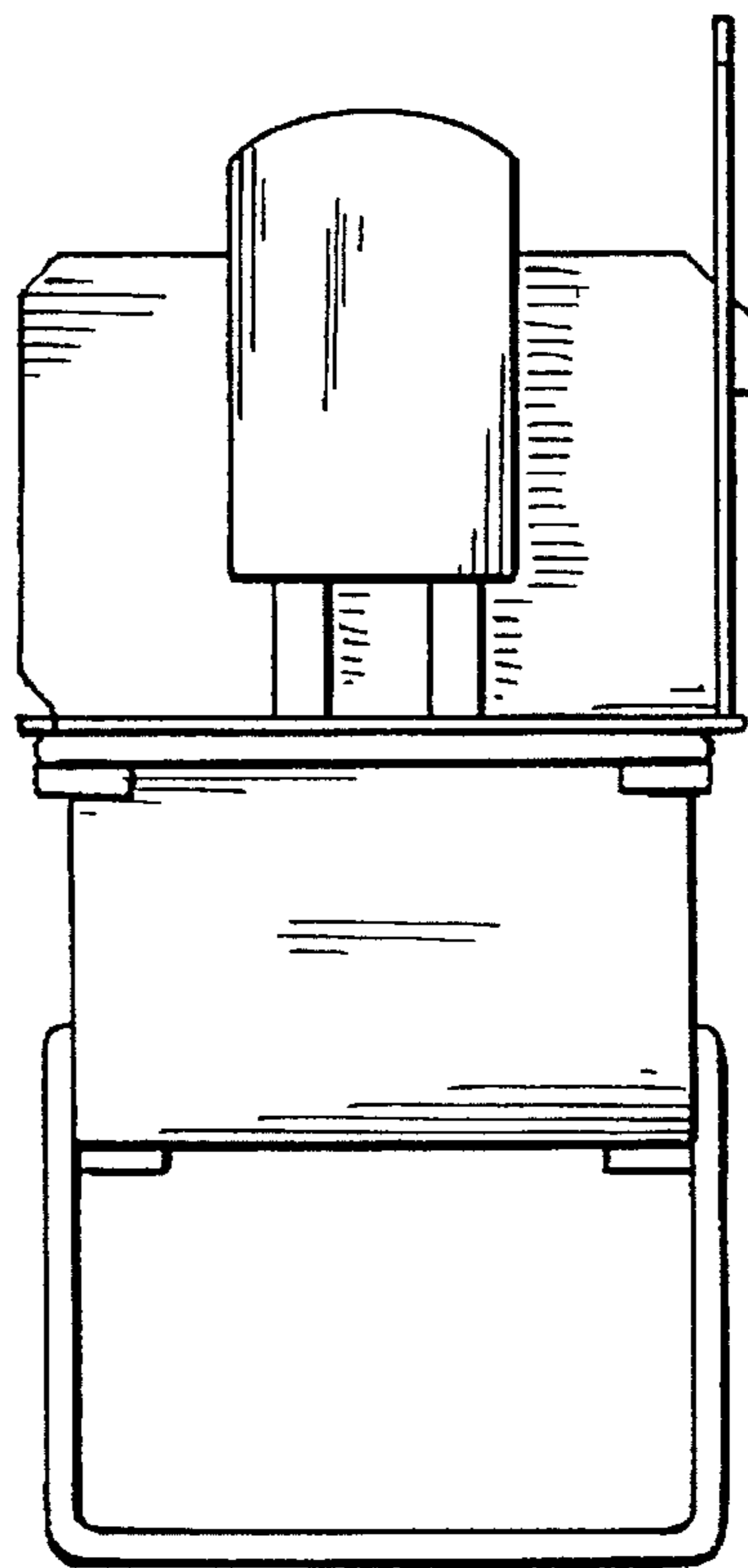


FIG. 5.

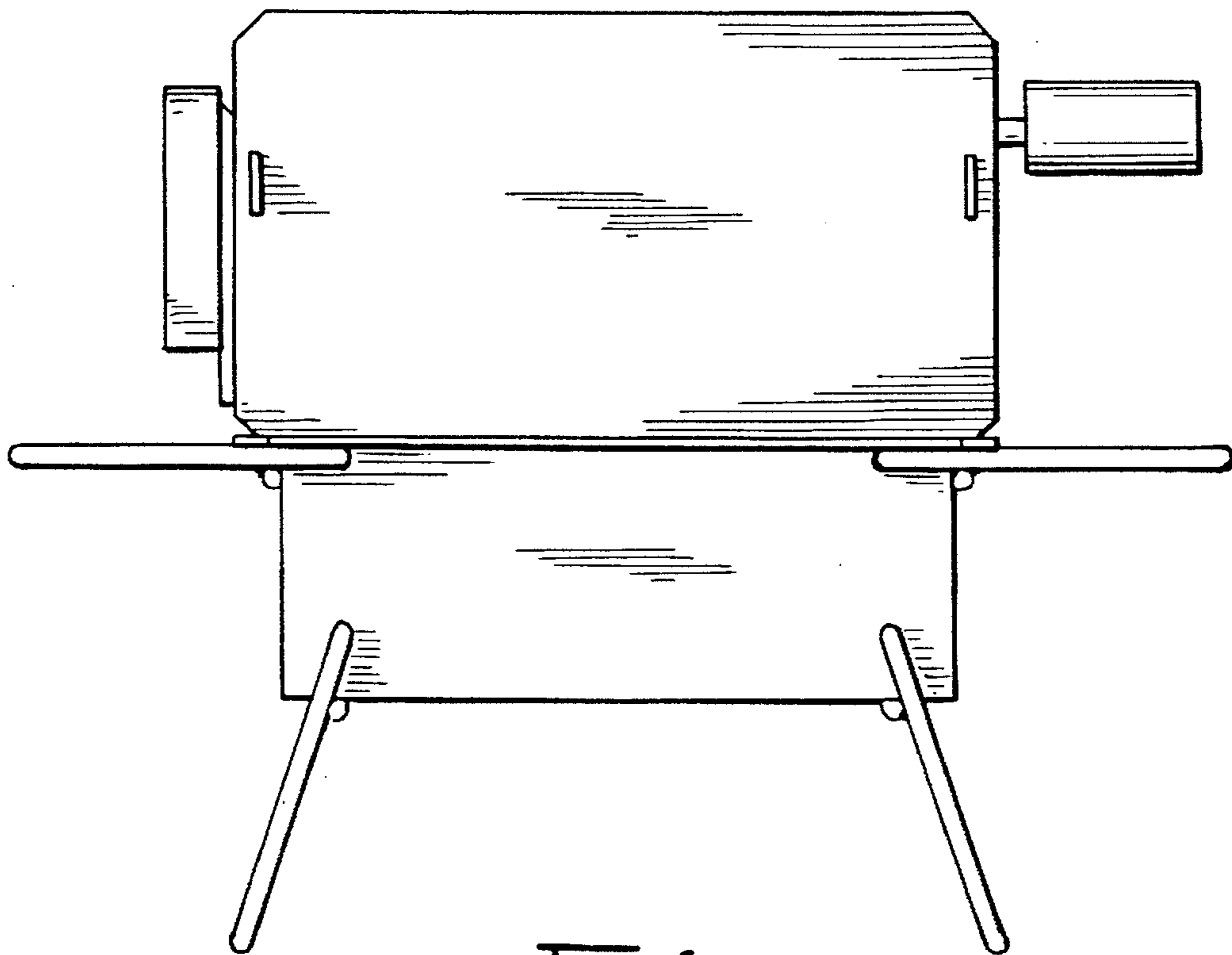


FIG. 6.