



US00D381550S

United States Patent [19]
Lin

[11] **Patent Number: Des. 381,550**
[45] **Date of Patent: **Jul. 29, 1997**

[54] **COFFEE MAKER**

5,301,600 4/1994 Medema 99/306 X

[75] **Inventor: Yu-Yuan Lin, Tainan, Taiwan**

OTHER PUBLICATIONS

[73] **Assignee: Ever Splendor Enterprises Co., Ltd.,
Tainan, Taiwan**

Cafe Cino Coffee Pot, HFD p. 120 Apr. 1987.

[**] **Term: 14 Years**

Primary Examiner—M. N. Pandozzi

Attorney, Agent, or Firm—Christensen O'Connor Johnson
& Kindness PLLC

[21] **Appl. No.: 53,642**

[57] **CLAIM**

[22] **Filed: Apr. 26, 1996**

The ornamental design for coffee maker, as shown and
described.

[51] **LOC (6) Cl. 07-99**

[52] **U.S. Cl. D7/309; D7/31**

[58] **Field of Search D7/300, 309, 310,
D7/311; 99/295, 304, 306**

DESCRIPTION

FIG. 1 is a perspective view of coffee maker showing my
new design;

FIG. 2 is a front elevation view thereof;

FIG. 3 is a rear elevational view thereof;

FIG. 4 is a left side elevational view thereof;

FIG. 5 is a right side elevational view thereof;

FIG. 6 is a top plan view thereof; and,

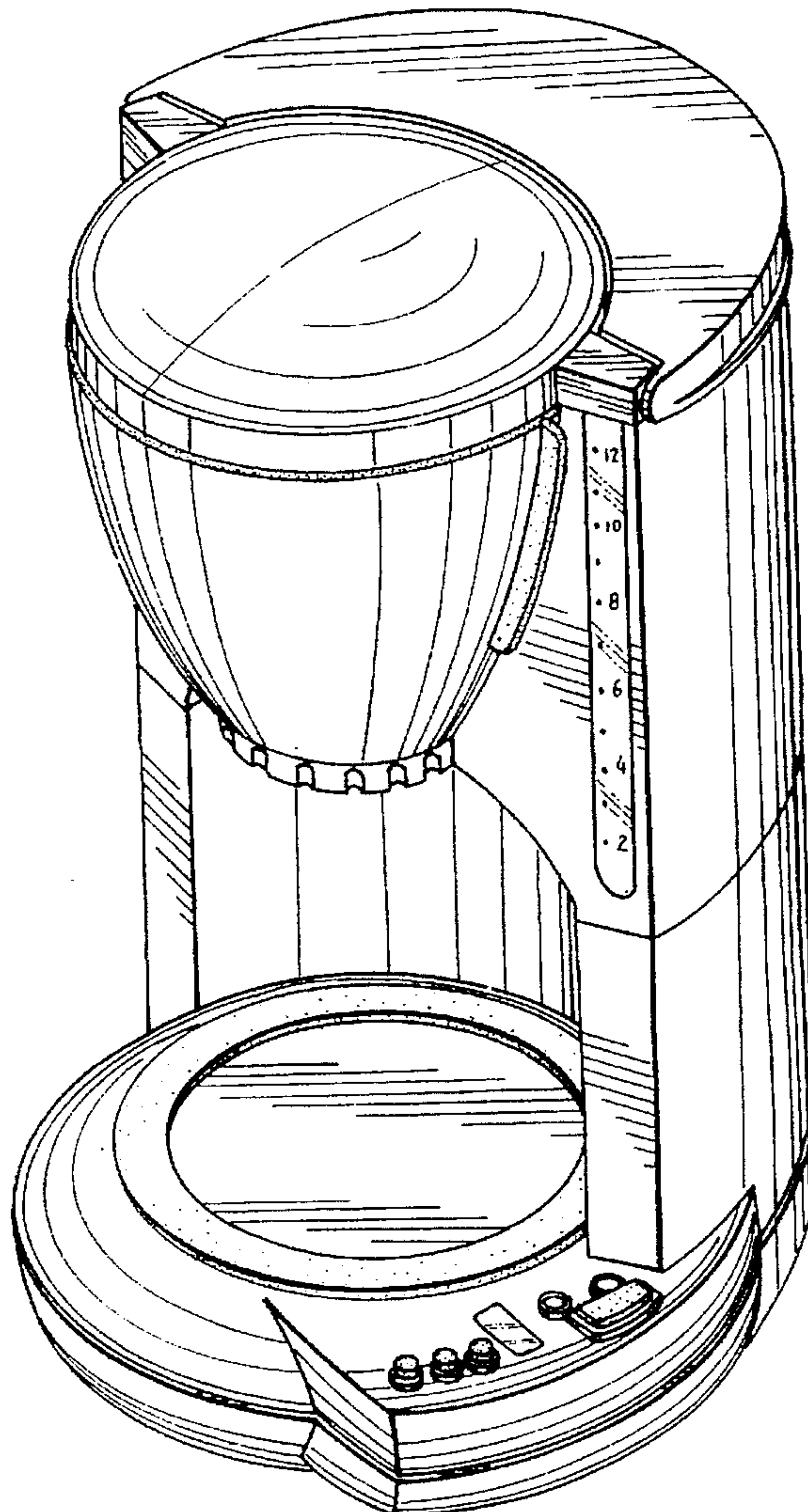
FIG. 7 is a bottom plan view thereof.

[56] **References Cited**

U.S. PATENT DOCUMENTS

D. 316,004	4/1991	Eugster	D7/309
D. 347,961	6/1994	Beeren	D7/309
D. 348,585	7/1994	Sham	D7/310 X
D. 354,878	1/1995	Lin	D7/309
D. 359,414	6/1995	Kahccke	D7/310 X

1 Claim, 4 Drawing Sheets



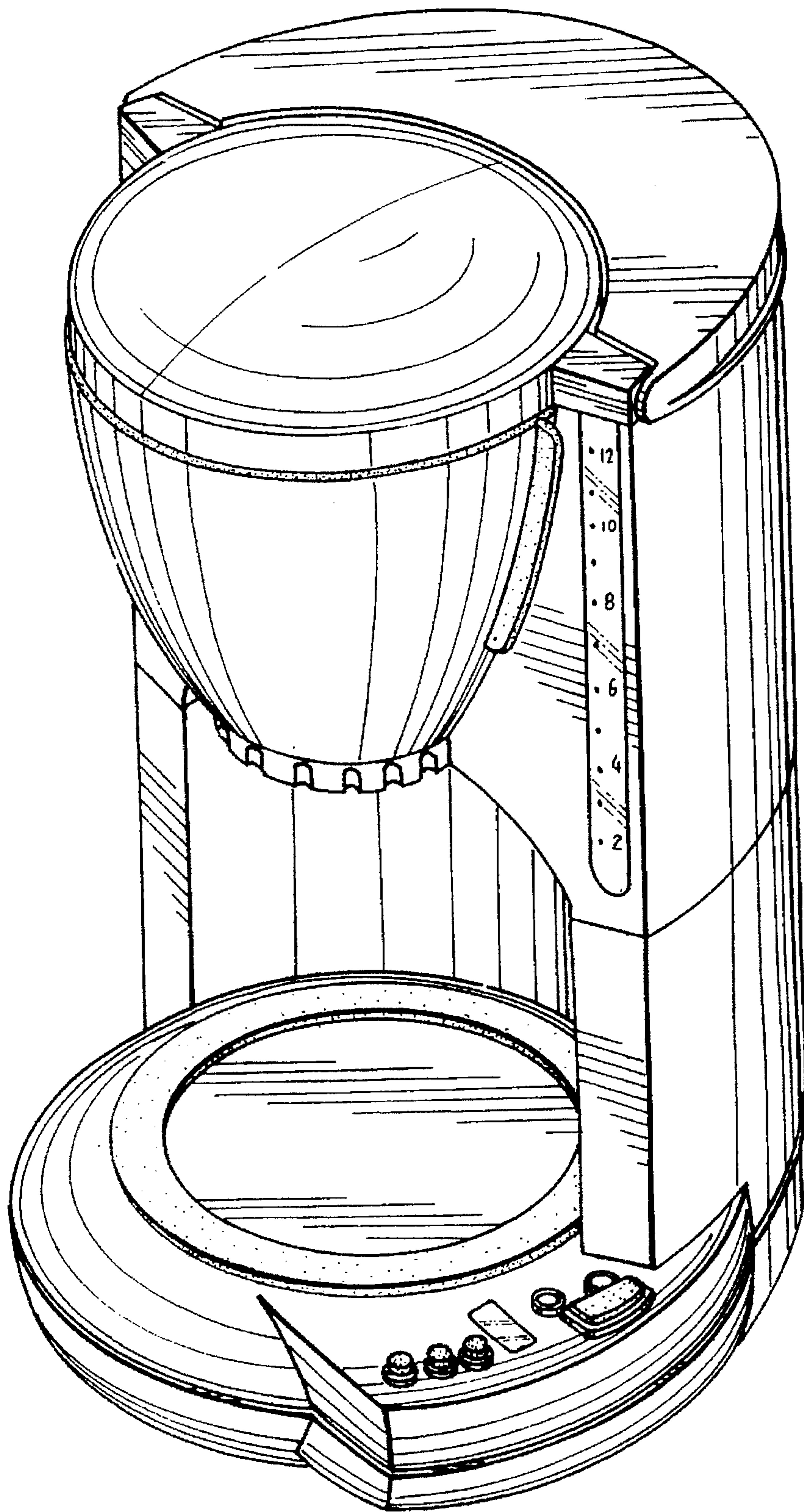


FIG. 1

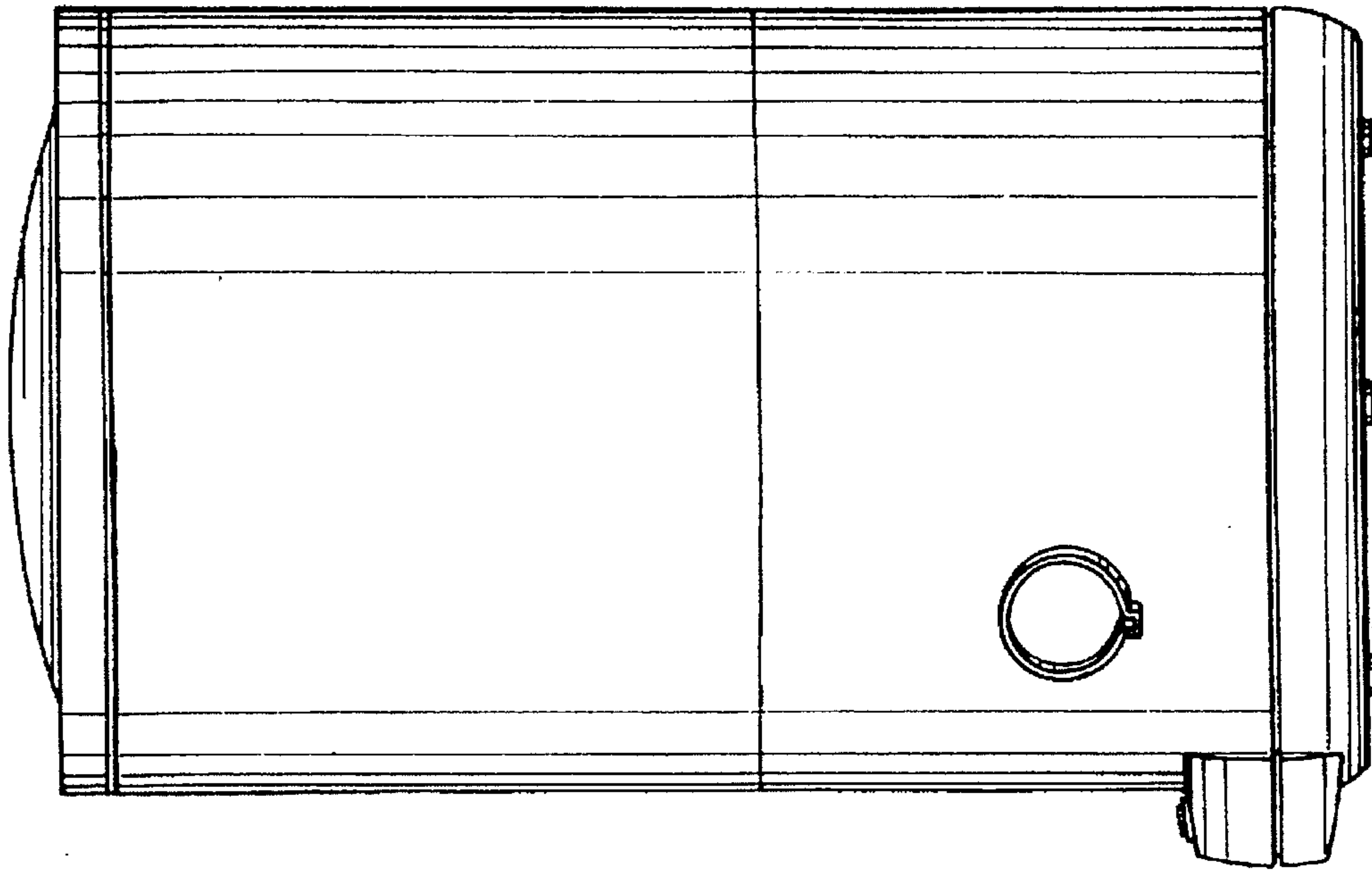


FIG. 3

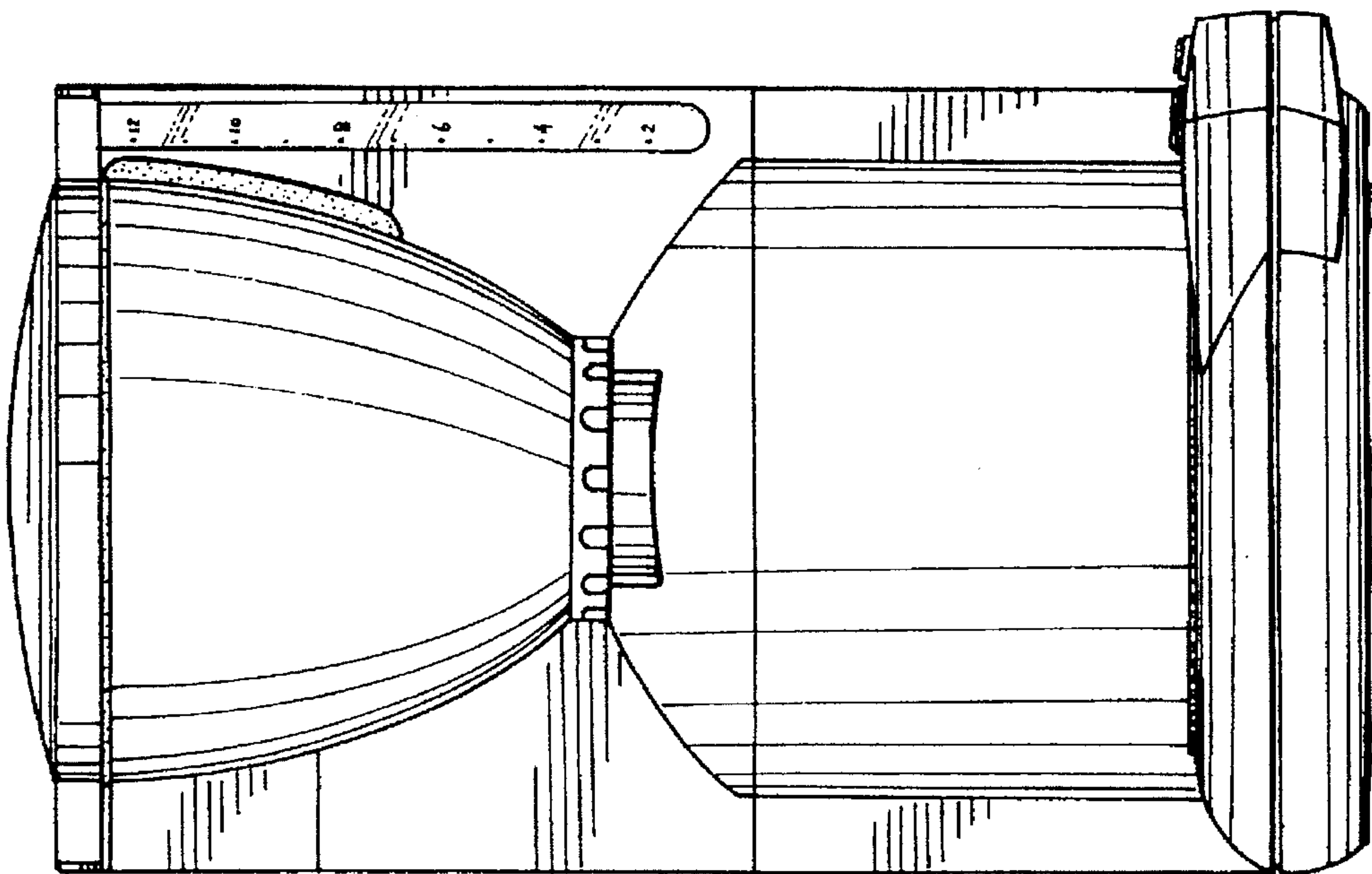


FIG. 2

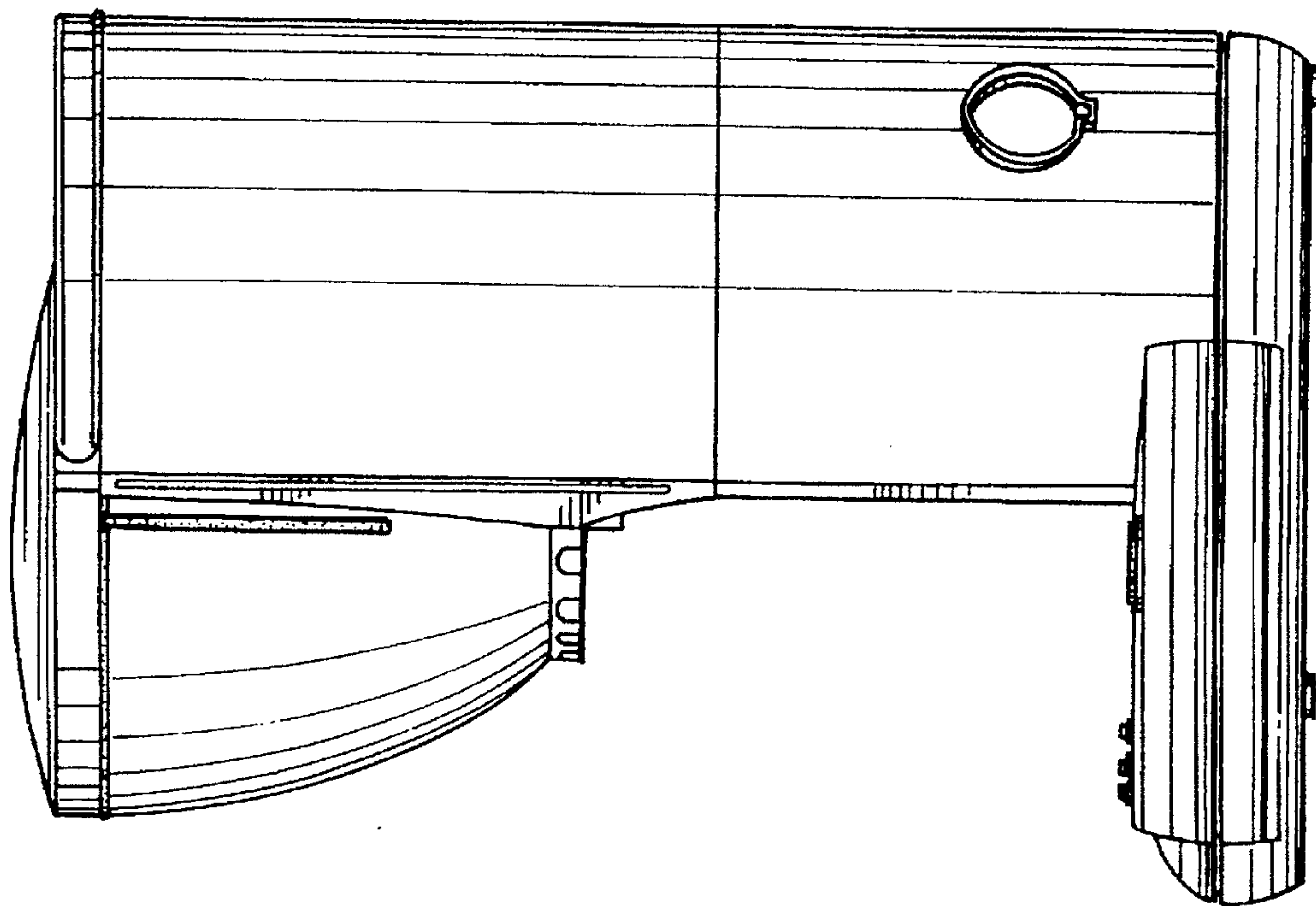


FIG. 5

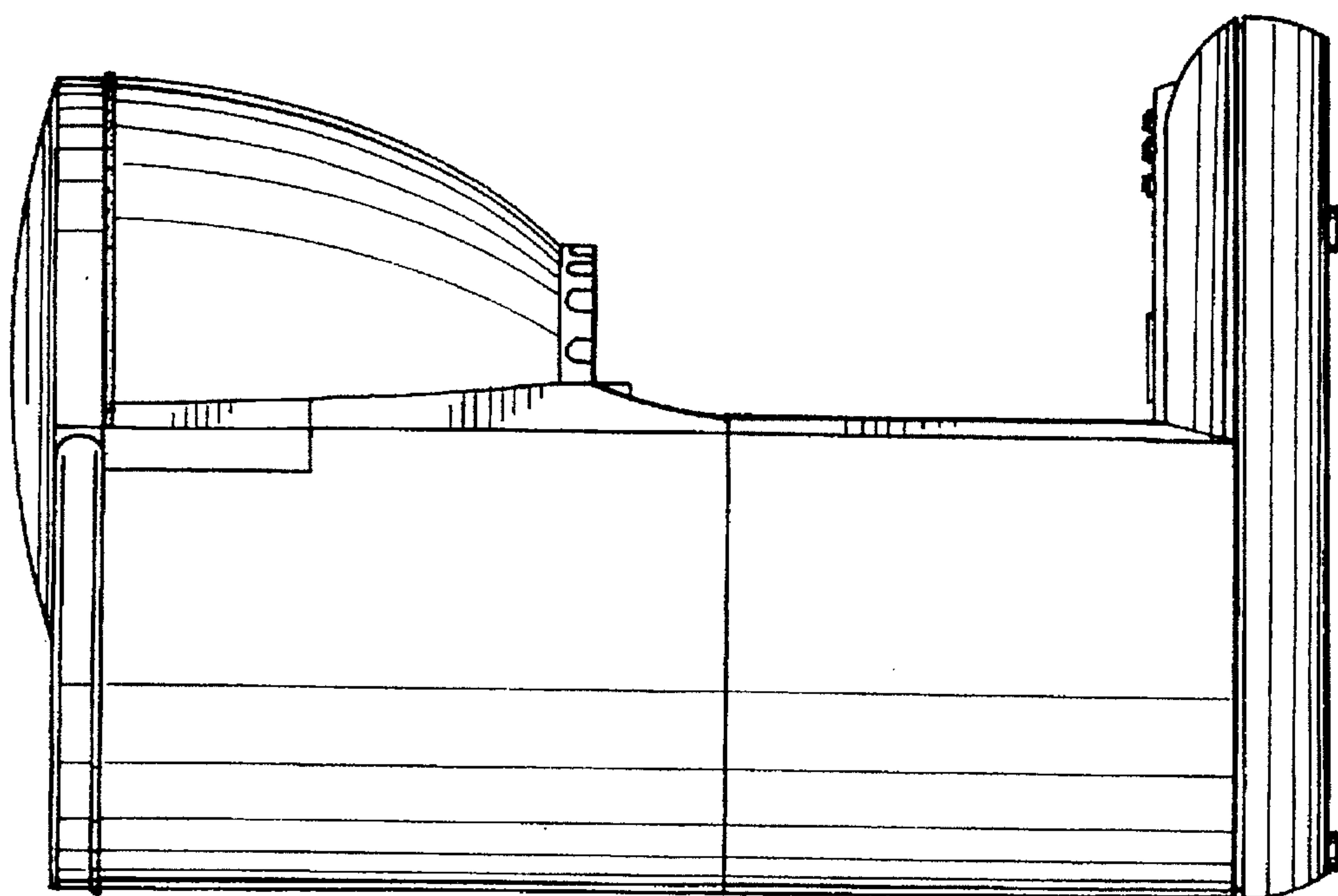


FIG. 4

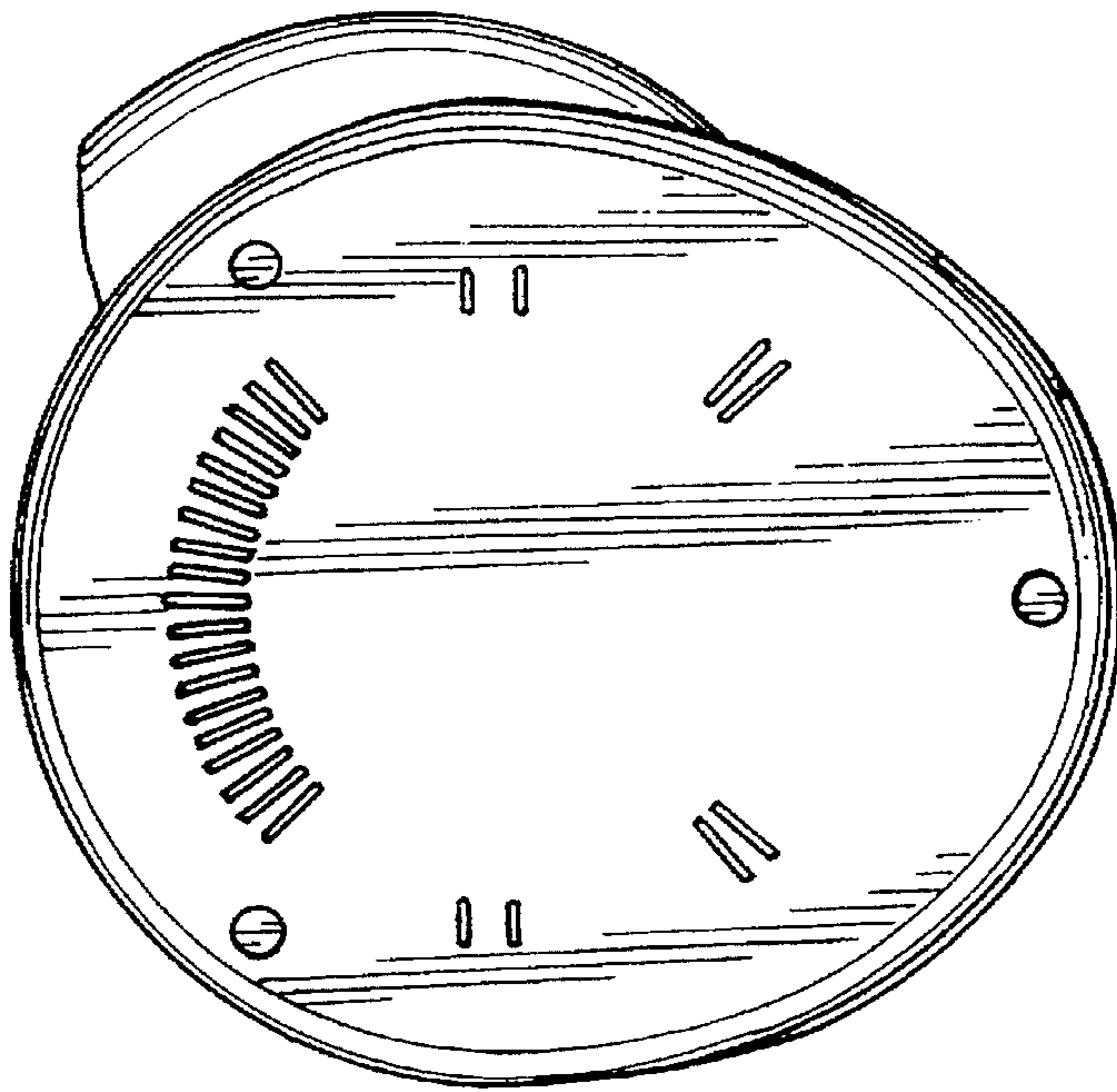


FIG. 7

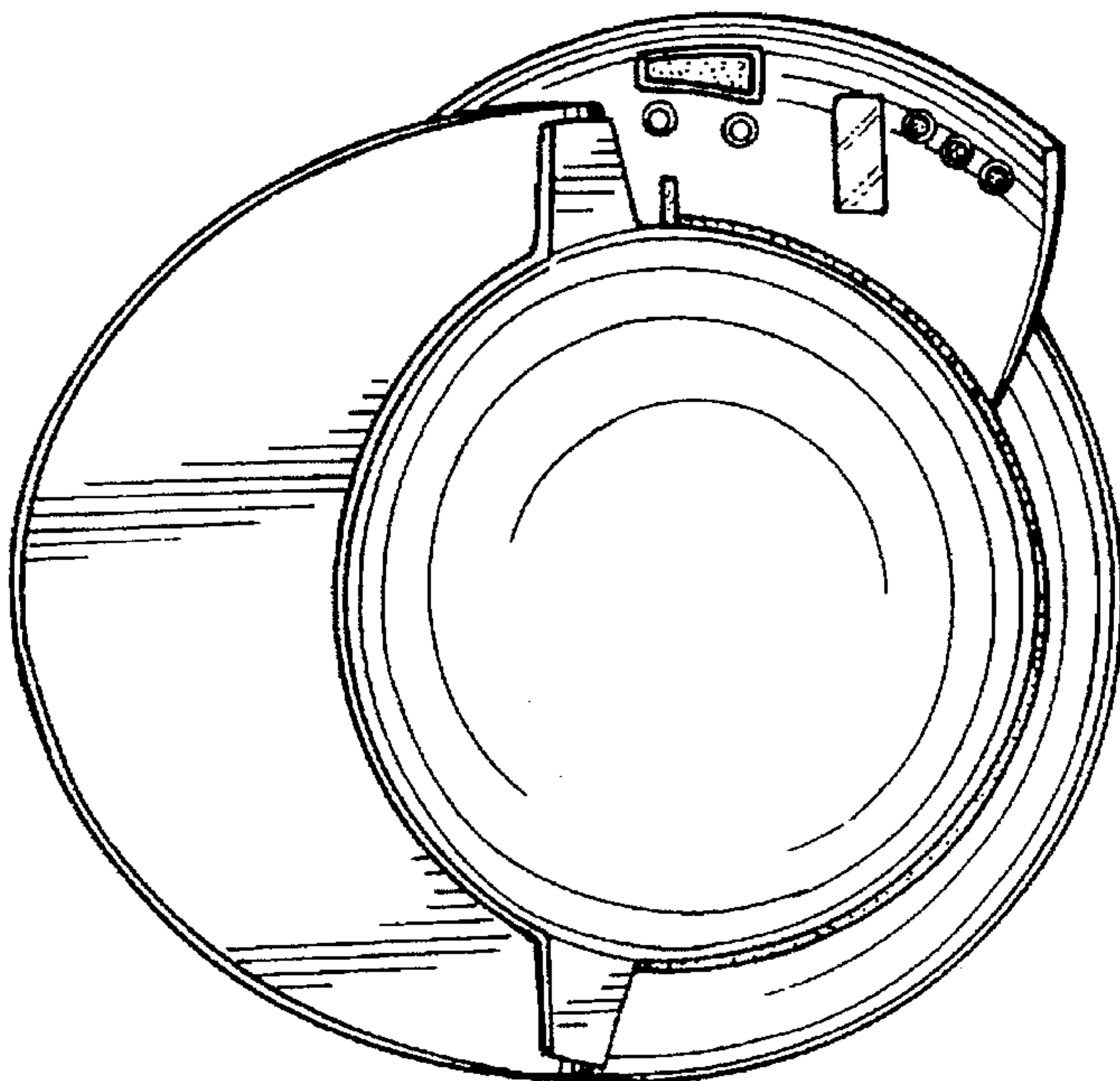


FIG. 6