



US00D381549S

United States Patent [19]

James

[11] Patent Number: **Des. 381,549**

[45] Date of Patent: ****Jul. 29, 1997**

[54] **VEHICULAR SHAPED COFFEE MACHINE**

[76] Inventor: **Eric M. James**, 401 Bosworthfield Ct., Columbia, S.C. 29212

[**] Term: **14 Years**

[21] Appl. No.: **51,368**

[22] Filed: **Mar. 7, 1996**

[51] LOC (6) Cl. **07-99**

[52] U.S. Cl. **D7/301; D7/310; D7/311; D9/308**

[58] Field of Search **D7/301, 300, 309, D7/310, 311, 556; 99/306, 295, 286; D9/308**

[56] **References Cited**

U.S. PATENT DOCUMENTS

D. 299,900	2/1989	Marotta	D7/309
D. 350,282	9/1994	Lenterman	D9/308
D. 350,283	9/1994	Lenterman	D9/308
D. 350,284	9/1994	Ran	D9/308
D. 361,689	8/1995	McCloskey	D7/300 X

D. 371,959	7/1996	Hupp	D9/308
4,645,959	2/1987	Sheffer	D9/308 X
5,441,149	8/1995	Willard et al.	D9/308 X

Primary Examiner—M. N. Pandozzi
Attorney, Agent, or Firm—Michael A. Mann, P.A.

[57] **CLAIM**

The ornamental design for a vehicular shaped coffee machine, as shown and described.

DESCRIPTION

FIG. 1 is a perspective view of a vehicular shaped coffee machine showing my new design; FIG. 2 is a front view thereof; FIG. 3 is a rear view thereof; FIG. 4 is a left side view thereof; FIG. 5 is a right side view thereof; and, FIG. 6 is top view thereof.

The bottom view is planar and unornamental. The broken lines in FIGS. 1, 4 and 5 are for illustrative purposes only and form no part of the claimed design.

1 Claim, 2 Drawing Sheets

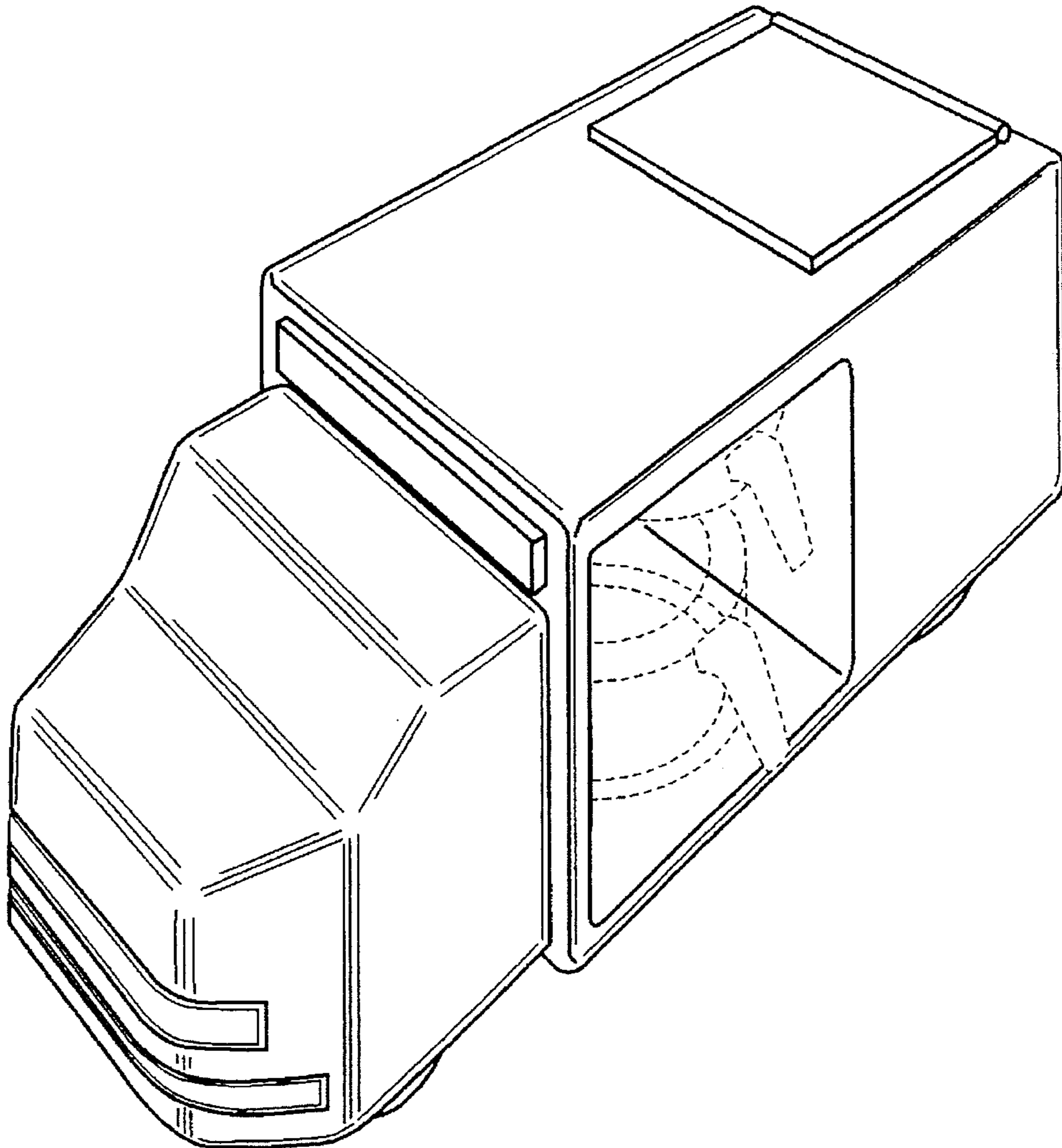


Fig 1

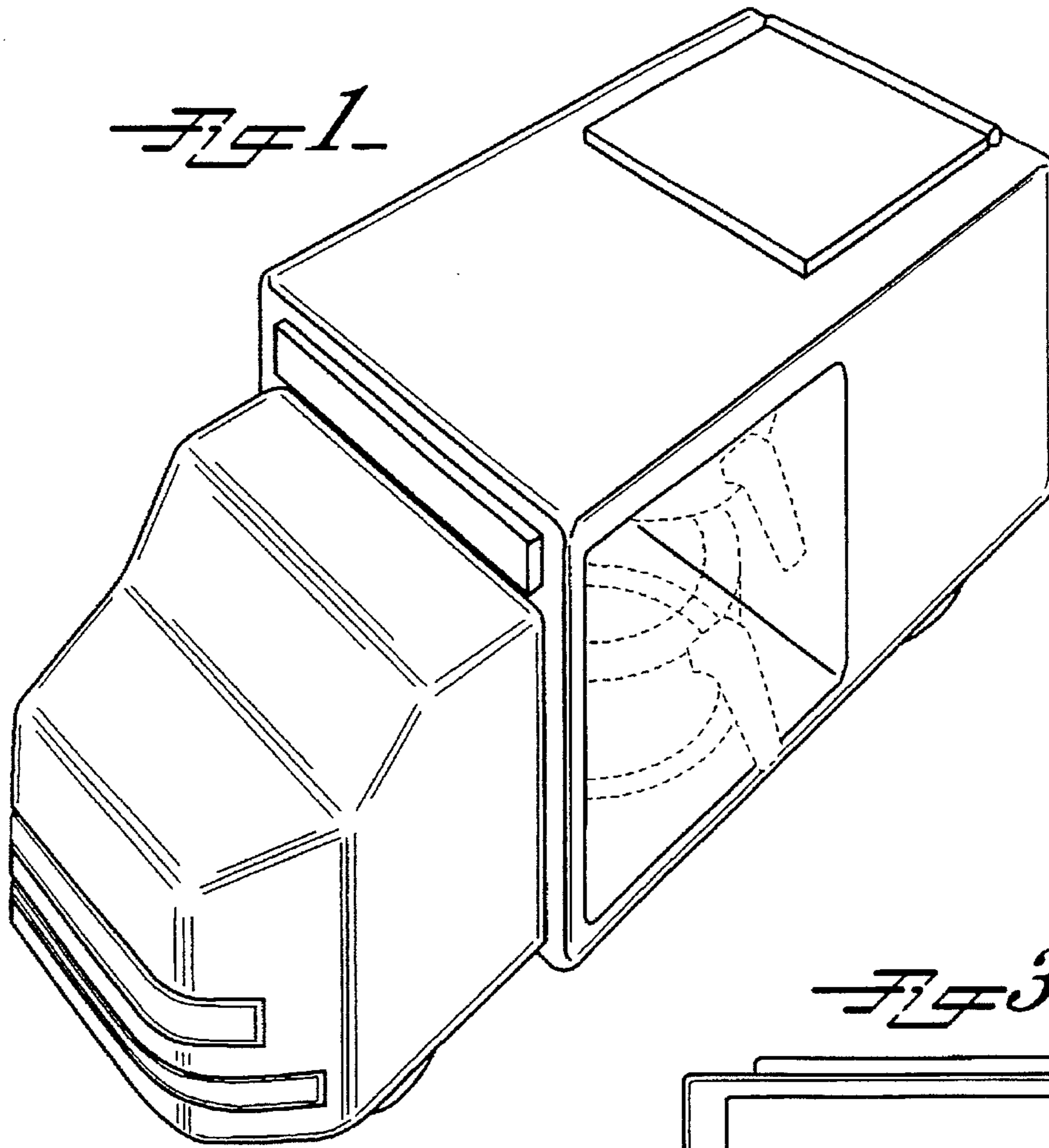


Fig 3

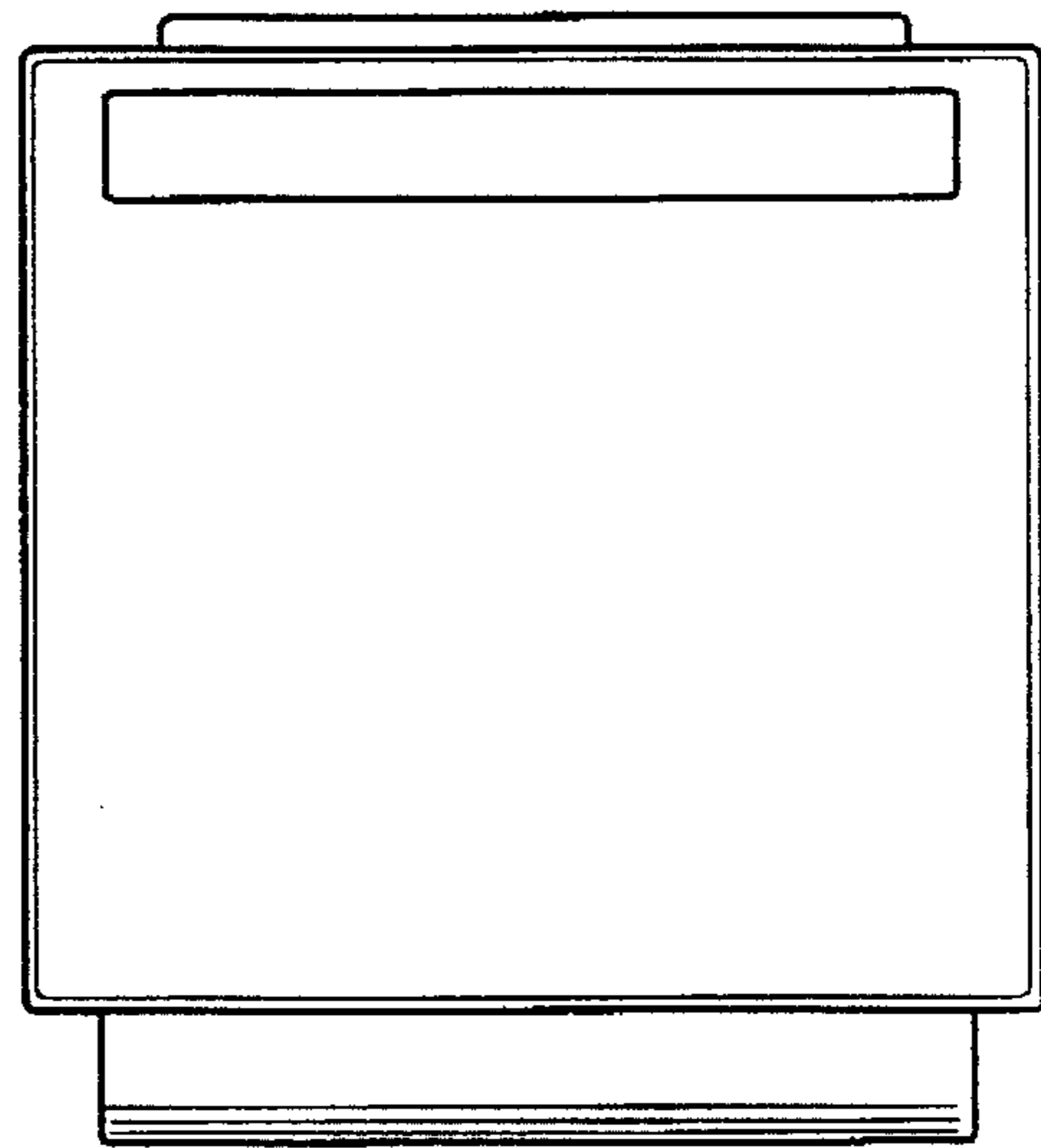


Fig 2

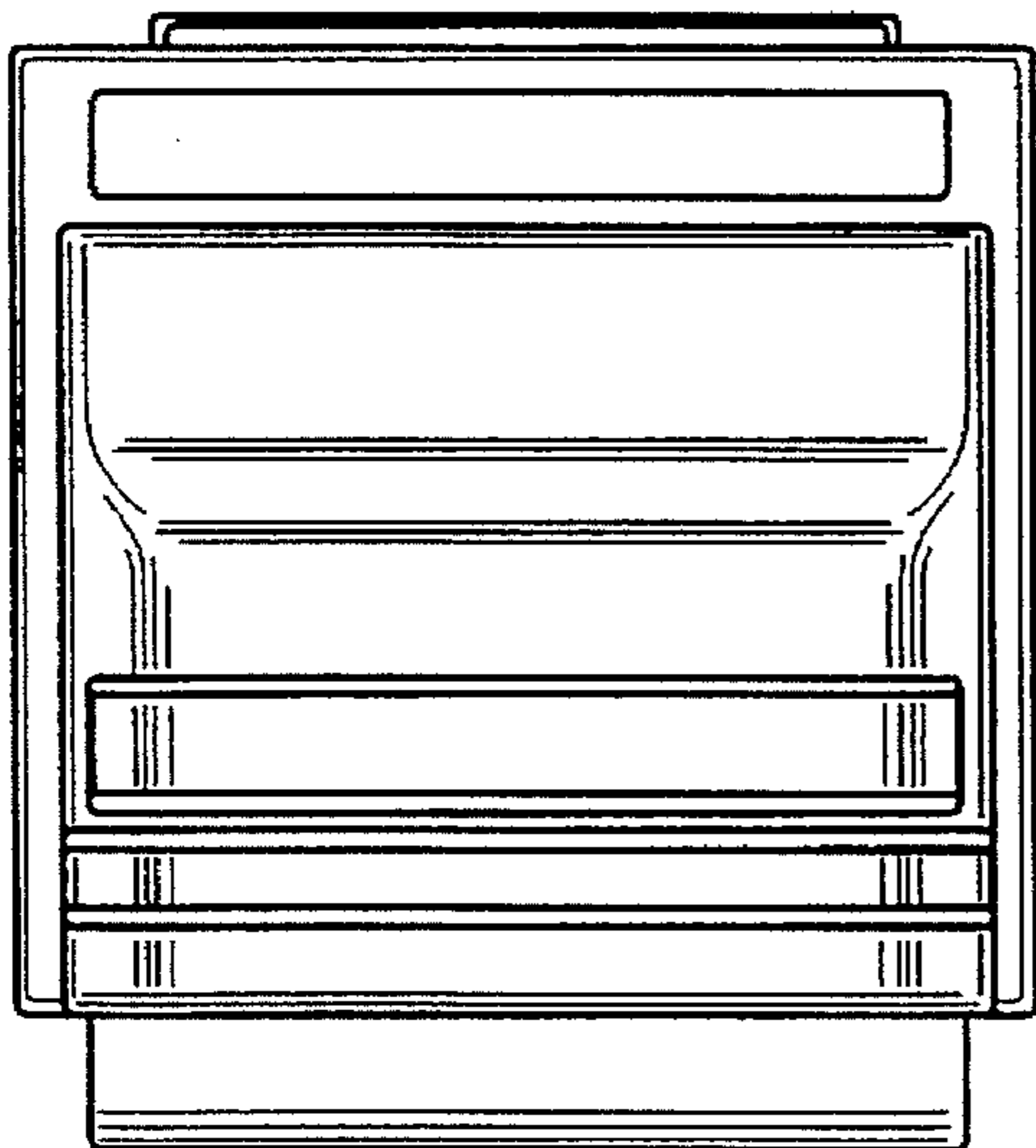


Fig 4

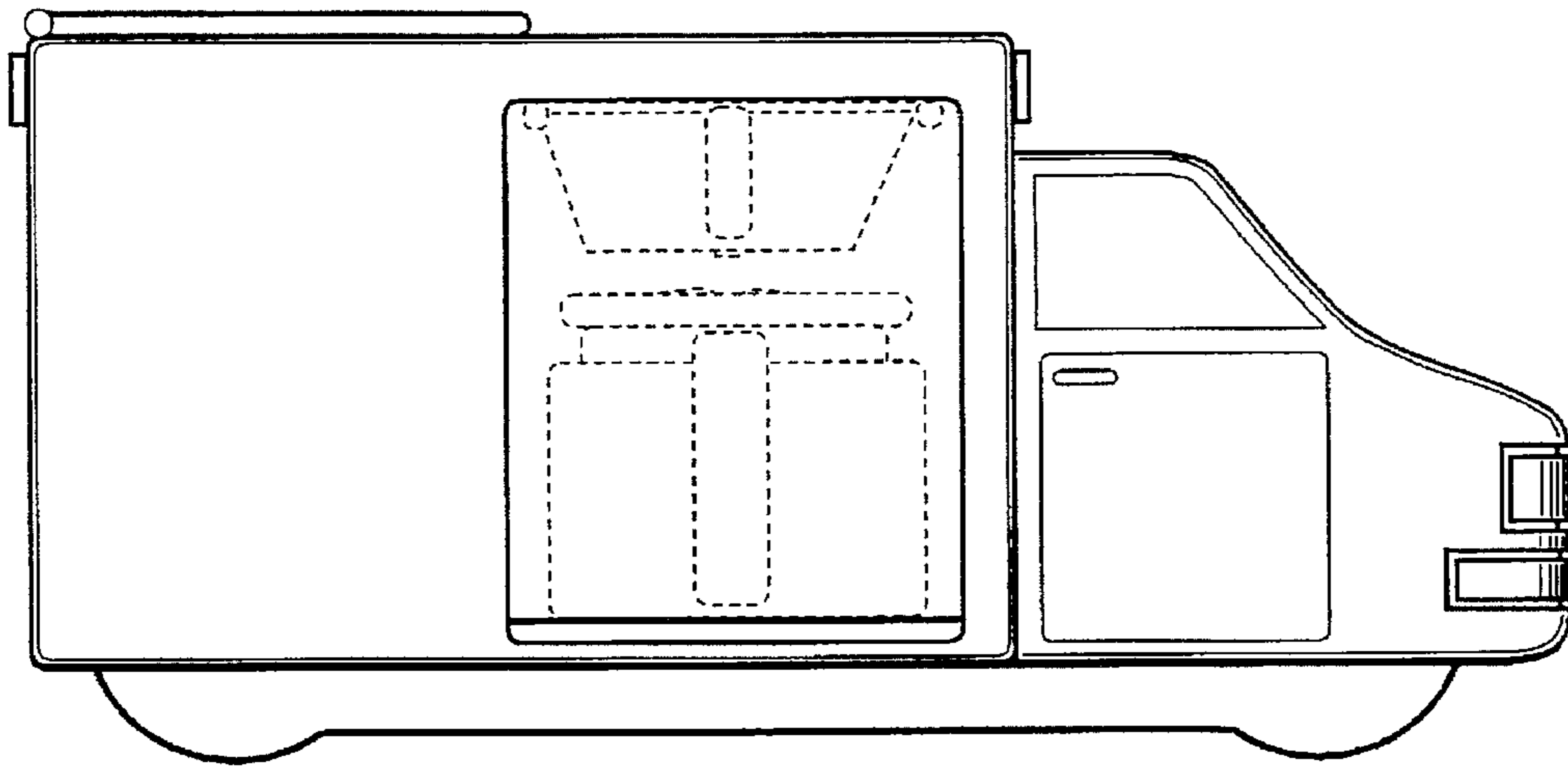


Fig 5

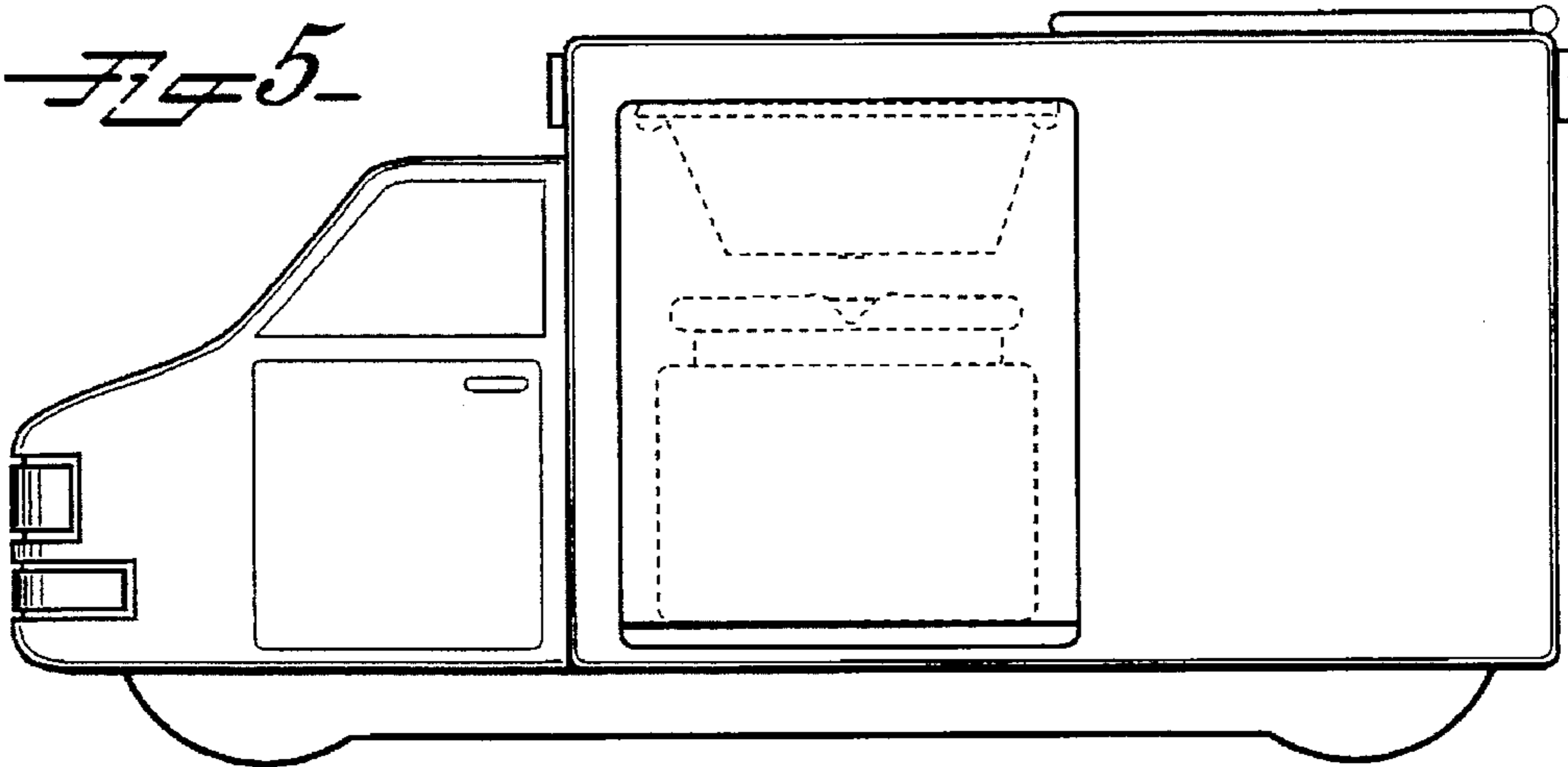


Fig 6

