



US00D381546S

United States Patent [19]
Hunt

[11] **Patent Number: Des. 381,546**
[45] **Date of Patent: **Jul. 29, 1997**

[54] **COMPACT DISK ORGANIZER RACK**

[76] Inventor: **Thomas A. Hunt**, 2202 Ranch View
Terr., Encinitas, Calif. 92024

[**] Term: **14 Years**

[21] Appl. No.: **43,287**

[22] Filed: **Aug. 31, 1995**

[51] **LOC (6) Cl. 06-04**

[52] **U.S. Cl. D6/629; D6/407**

[58] **Field of Search D6/626-635, 407,**
D6/408; 206/387.1, 387.15, 311, 312, 307,
307.1, 308.1, 308.3, 309; 211/41, 40; D19/75,
76

[56] **References Cited**

U.S. PATENT DOCUMENTS

D. 267,216	12/1982	Swan	D6/629
D. 287,440	12/1986	Taylor	D6/407
D. 299,657	1/1989	Hwang	D19/75
D. 318,766	8/1991	Chow	D6/407
D. 339,825	9/1993	Hwang	D19/75
3,759,395	9/1973	Juhlin	211/40
3,909,088	9/1975	Dennehey et al.	211/41

FOREIGN PATENT DOCUMENTS

28283	5/1981	European Pat. Off.	211/41
24828299	1/1980	France	211/41

Primary Examiner—Ruth McInroy
Assistant Examiner—G. Andoll
Attorney, Agent, or Firm—J. E. McTaggart

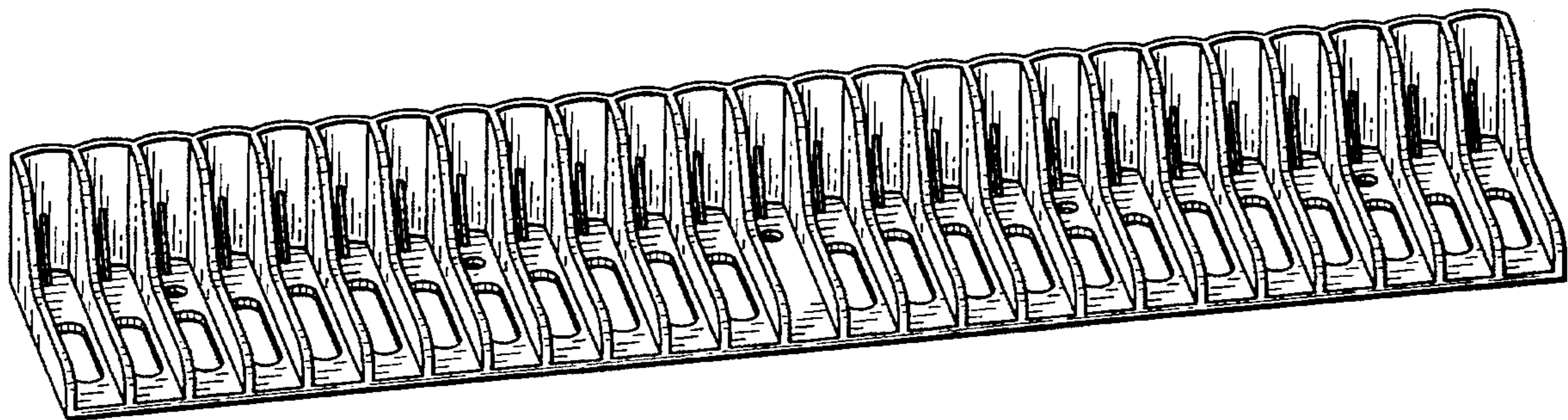
[57] **CLAIM**

The ornamental design for a compact disk organizer rack, as shown.

DESCRIPTION

FIG. 1 is a three-dimensional view of a compact disk organizer rack according to the present invention; FIG. 2 is a right hand end view of the subject matter of FIG. 1; FIG. 3 is a left hand end view of the subject matter of FIG. 1; FIG. 4 is a plan view of the subject matter of FIGS. 1-3; FIG. 5 is a bottom view of the subject matter of FIG. 4; FIG. 6 is an elevational front view of the subject matter of FIG. 4; FIG. 7 is an elevational rear view of the subject matter of FIG. 4; FIG. 8 is a three-dimensional view of the subject matter of FIGS. 1-7 shown in an environment; and, FIG. 9 is a three-dimensional view of the subject matter of FIGS. 1-7 shown in another environment. The broken line showing of the second compact disc organizer, compact disk package, base and side support is for illustrative purposes only and forms no part of the claimed design.

1 Claim, 3 Drawing Sheets



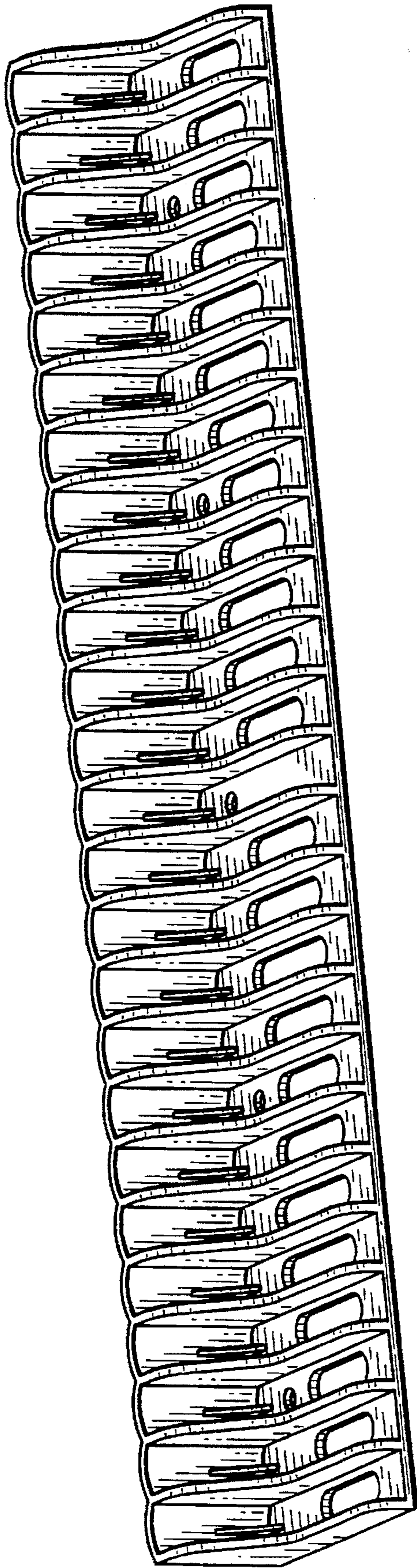


FIG. 1

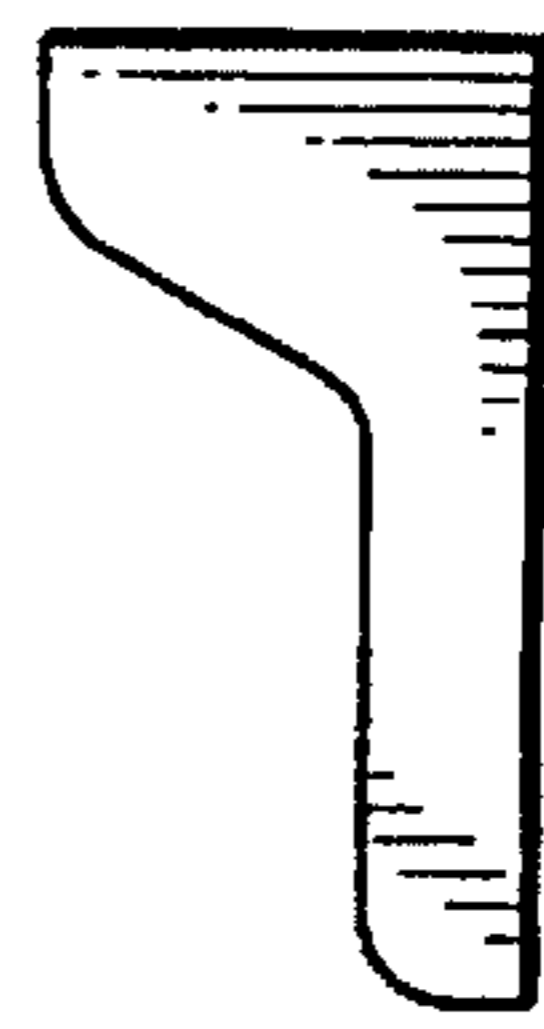


FIG. 2

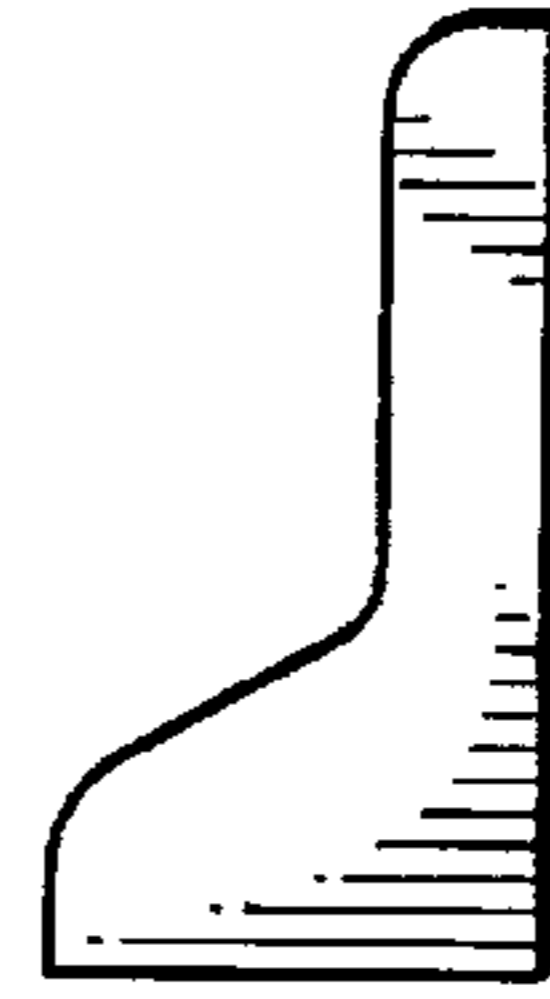


FIG. 3

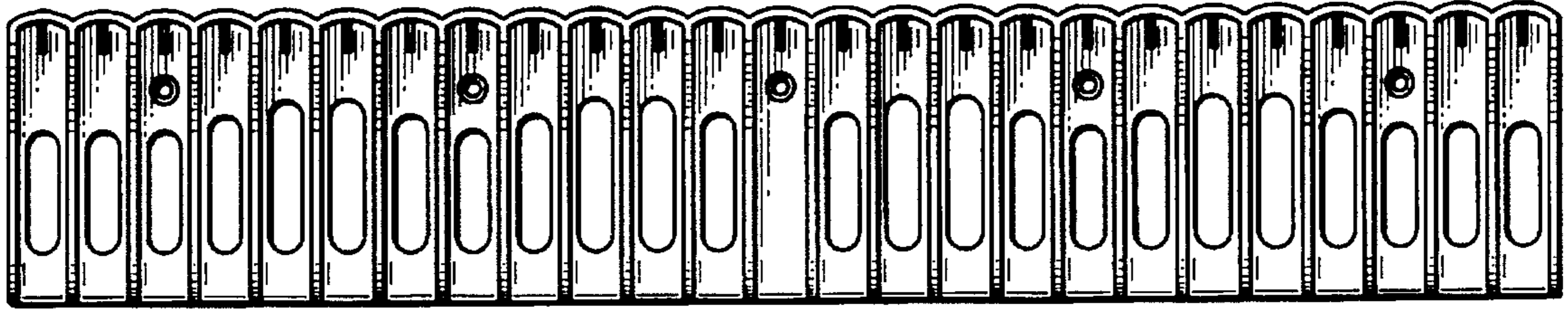


FIG. 4

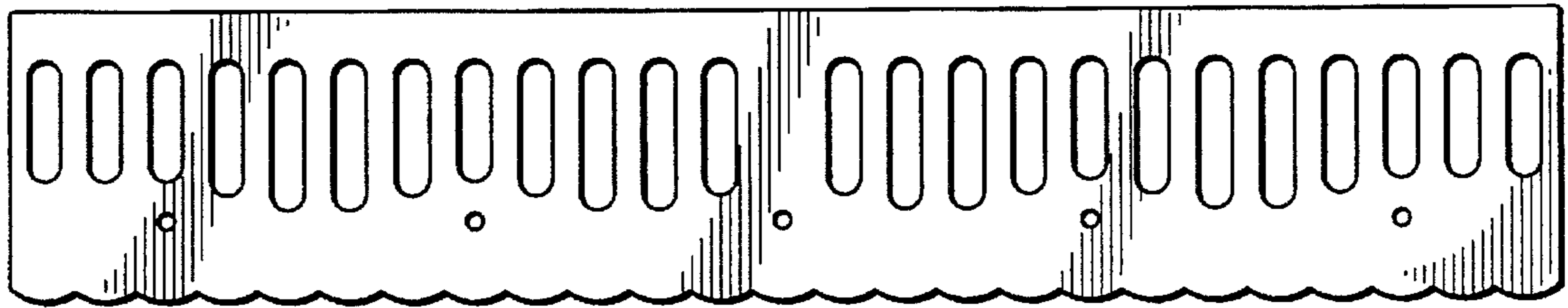


FIG. 5

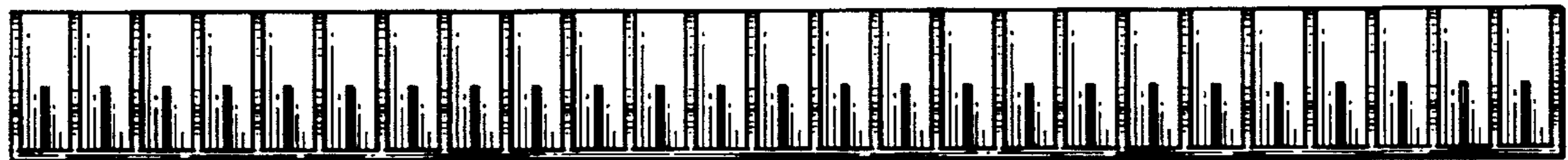


FIG. 6

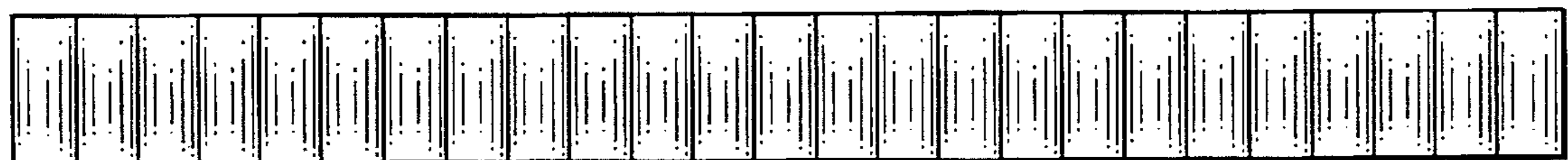


FIG. 7

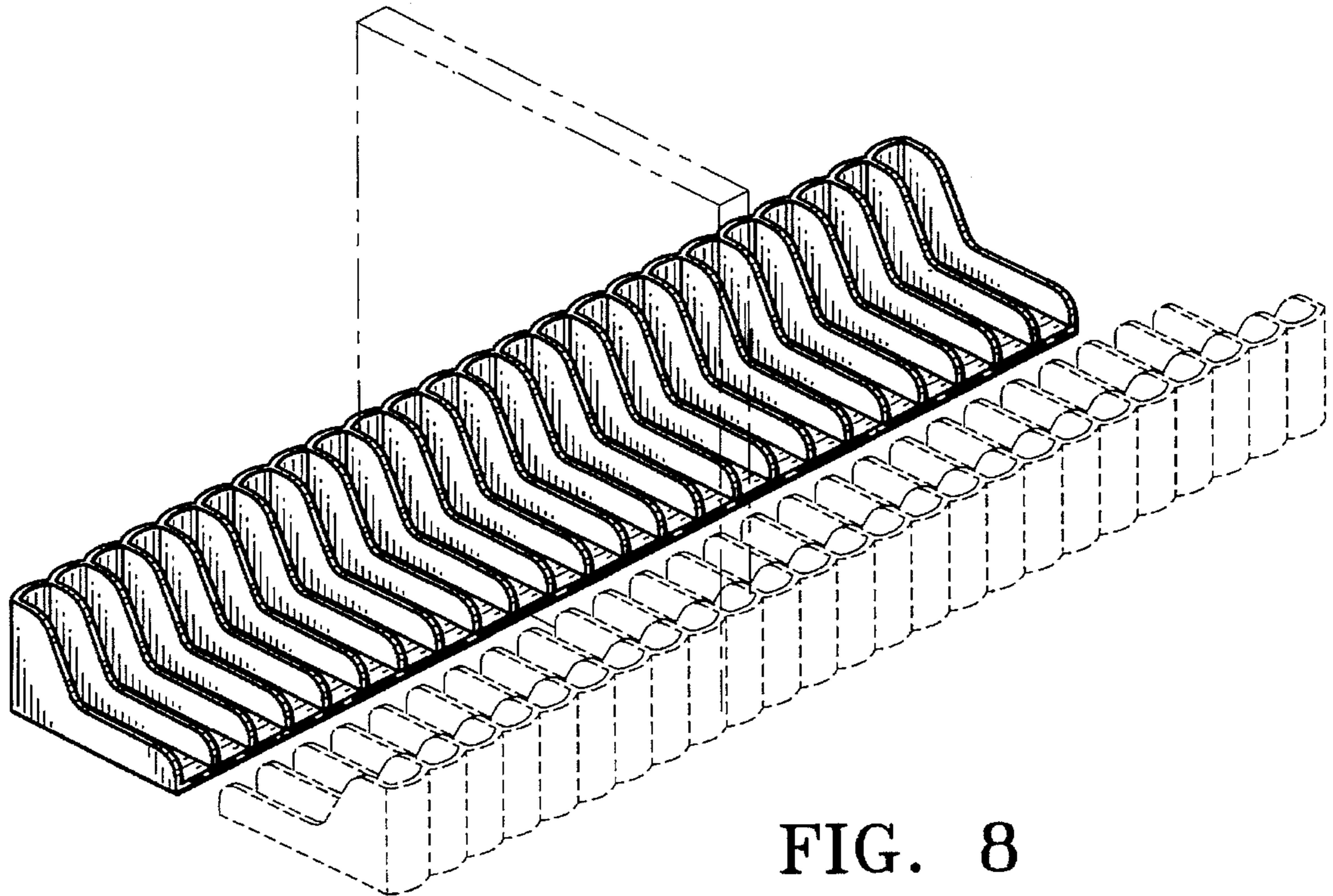


FIG. 8

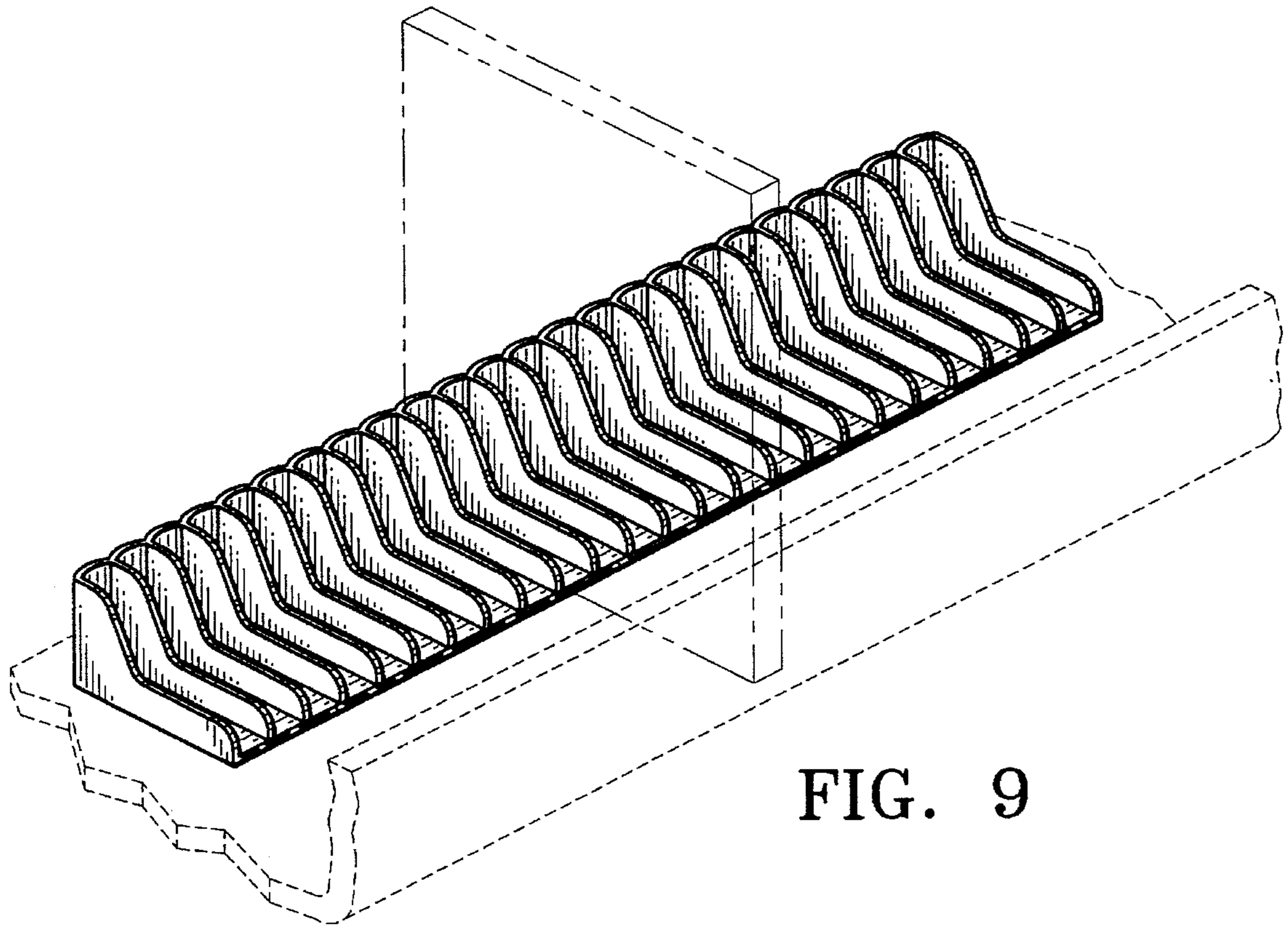


FIG. 9