

US00D381542S

United States Patent [19] Gray

[11] Patent Number: **Des. 381,542**
[45] Date of Patent: ****Jul. 29, 1997**

[54] **FOLDING CHAIR WITH THREE LEGS**

[76] Inventor: **Donald F. Gray, 5992 Seymour Rd.,
Owosso, Mich. 48867**

[**] Term: **14 Years**

[21] Appl. No.: **54,162**

[22] Filed: **May 6, 1996**

[51] LOC (6) Cl. **06-01**

[52] U.S. Cl. **D6/368; D6/363**

[58] Field of Search **D6/334, 335, 363,
D6/368, 374, 380, 500, 501, 502; 297/58,
451.2**

3,638,538	2/1972	Sullivan .
3,802,734	4/1974	Lindley .
3,997,213	12/1976	Smith et al. .
4,047,752	9/1977	Rohr .
4,676,548	6/1987	Bradbury .
4,836,938	6/1989	Kobasic .
4,889,387	12/1989	Gregory .
5,016,792	5/1991	Jay .
5,332,283	7/1994	Gray 297/58

Primary Examiner—Gary D. Watson
Attorney, Agent, or Firm—Learman & McCulloch

[57] CLAIM

The ornamental design for a folding chair with three legs, as shown and described.

DESCRIPTION

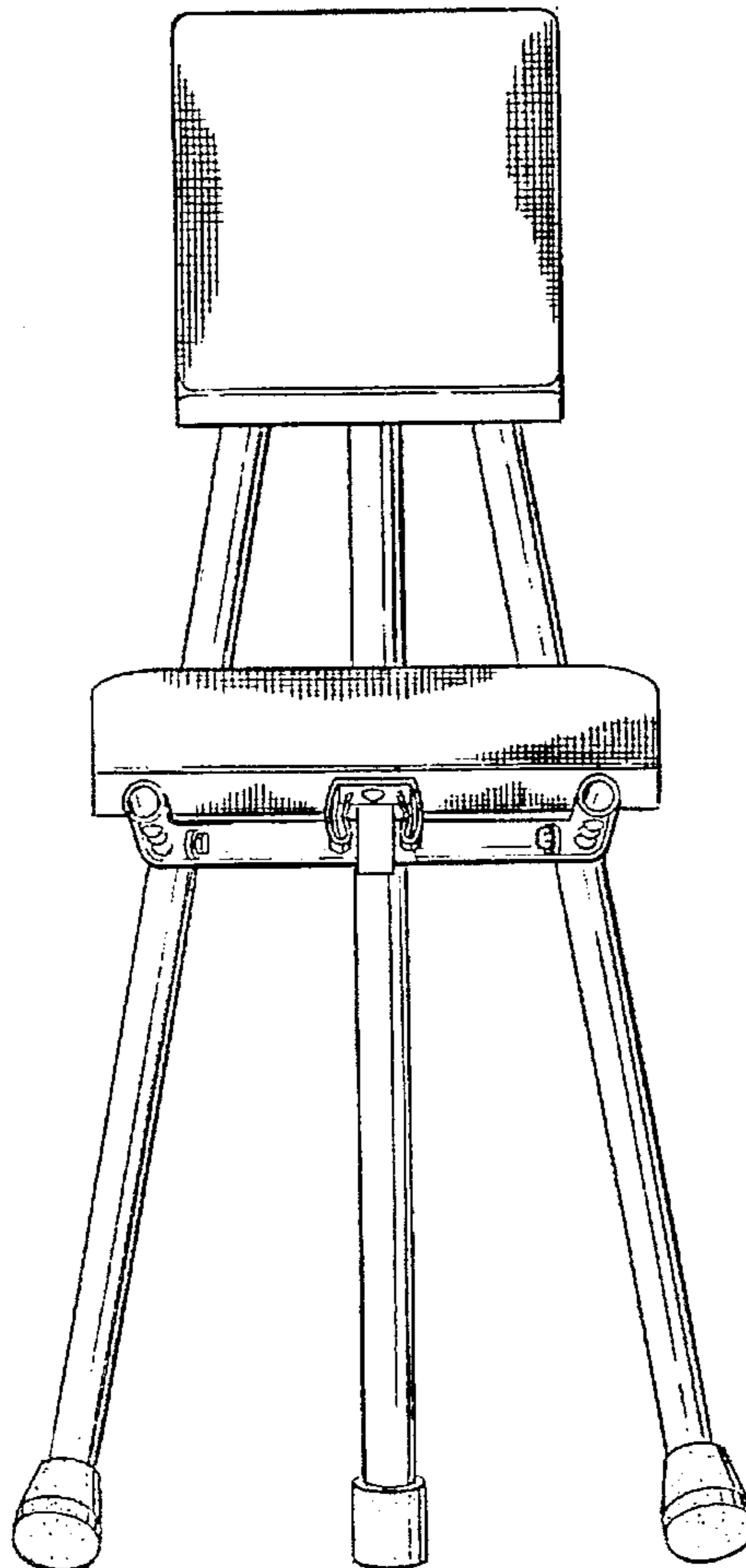
FIG. 1 is a front elevational view;
FIG. 2 is a side elevational view, the view from the opposite side being identical;
FIG. 3 is a rear elevational view;
FIG. 4 is a top plan view; and,
FIG. 5 is a bottom plan view.
The schematic mesh-like depiction of fabric on the seat and backrest is understood to be continuous throughout the intended surface.

1 Claim, 2 Drawing Sheets

[56] References Cited

U.S. PATENT DOCUMENTS

D. 137,434	3/1944	Angell	D6/363
D. 155,273	9/1949	Eames	D6/363
D. 183,478	9/1958	Cohen	D6/363
1,296,905	3/1919	Barker .	
1,314,830	9/1919	Parsons .	
2,346,989	4/1944	O'Brien .	
2,380,437	7/1945	Homrighausen .	
2,480,402	8/1949	Elston .	
2,629,429	2/1953	Baumfeld et al. .	
3,420,571	1/1969	Moore .	



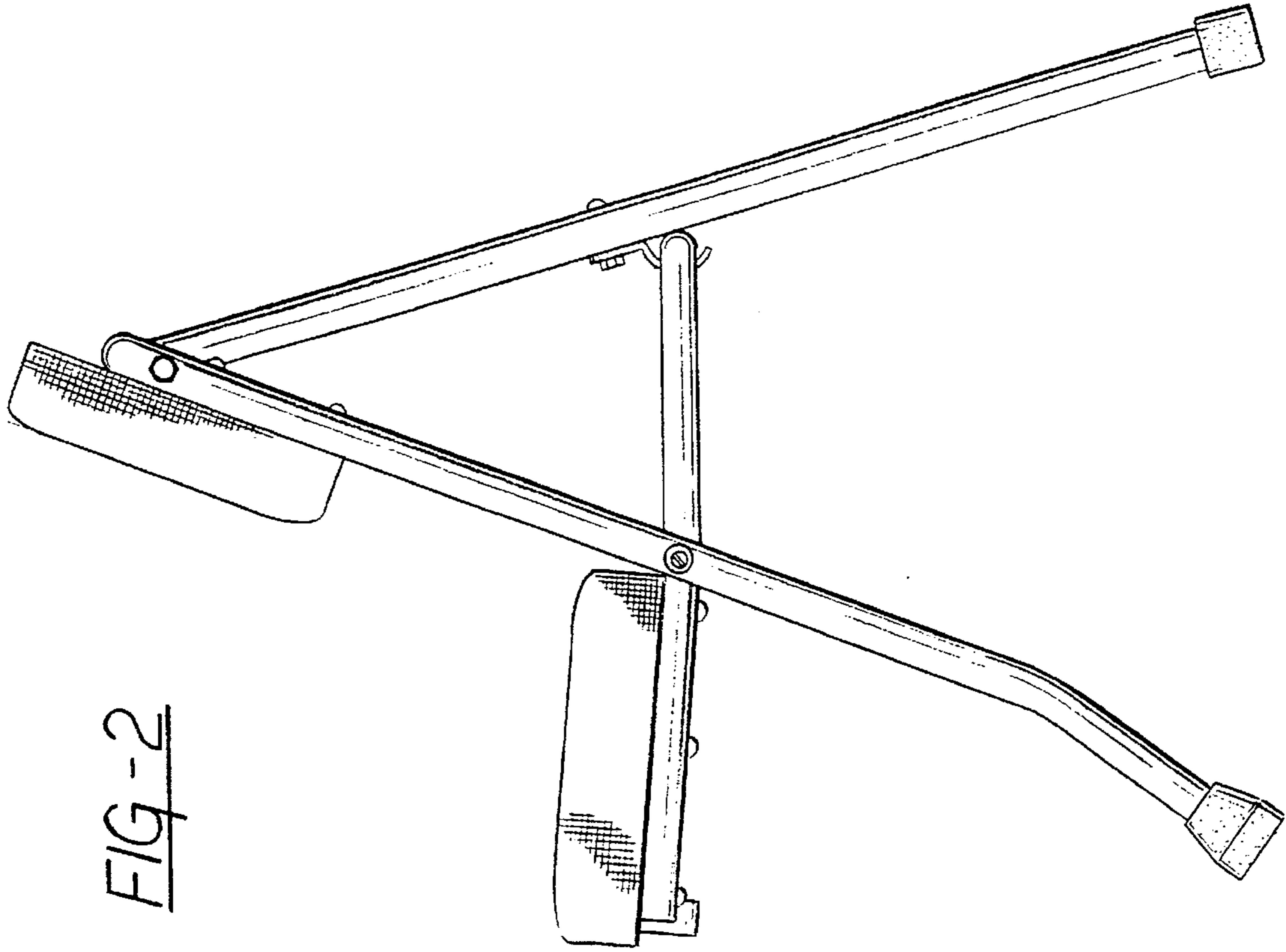


FIG-2

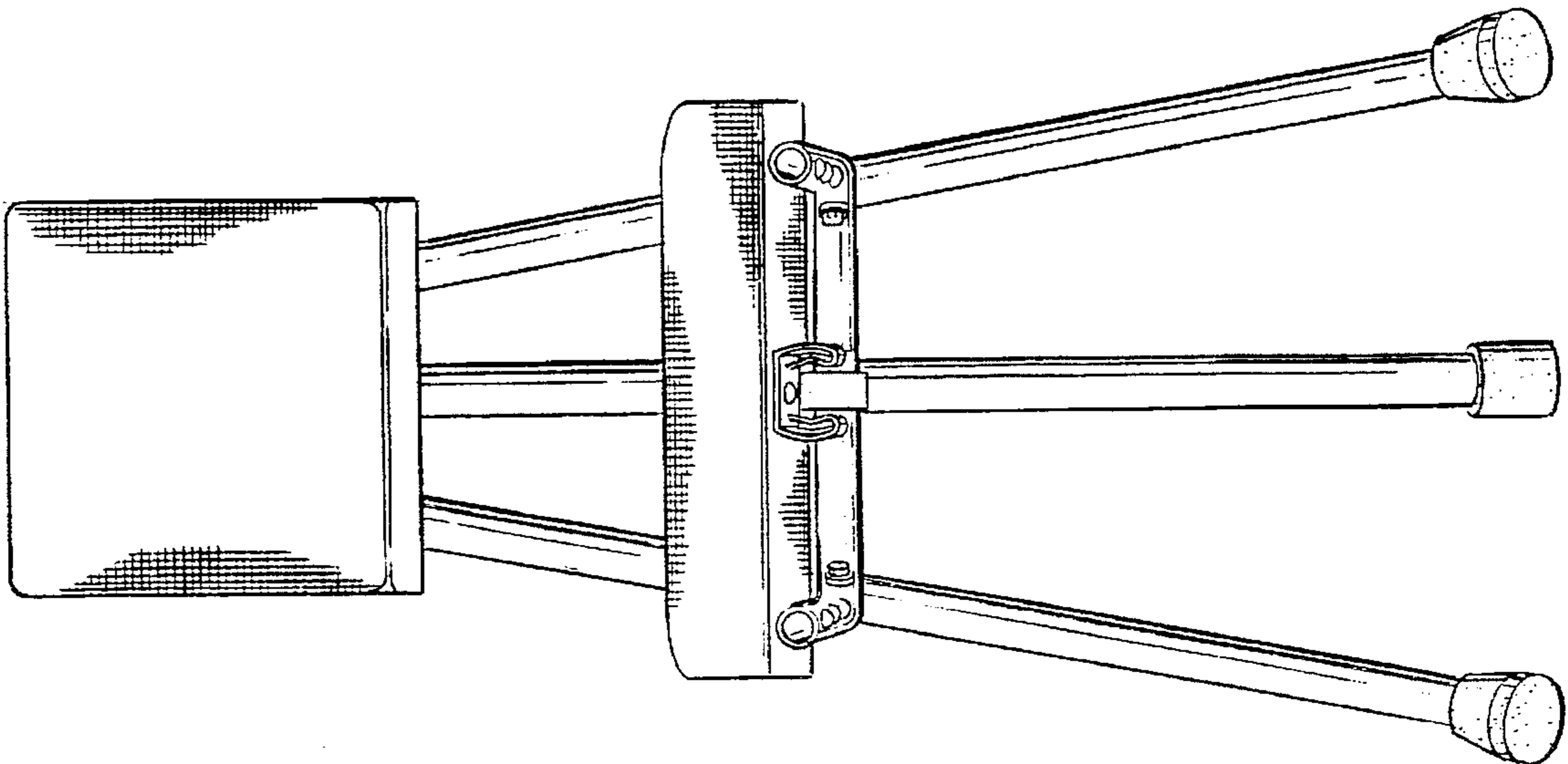


FIG-1

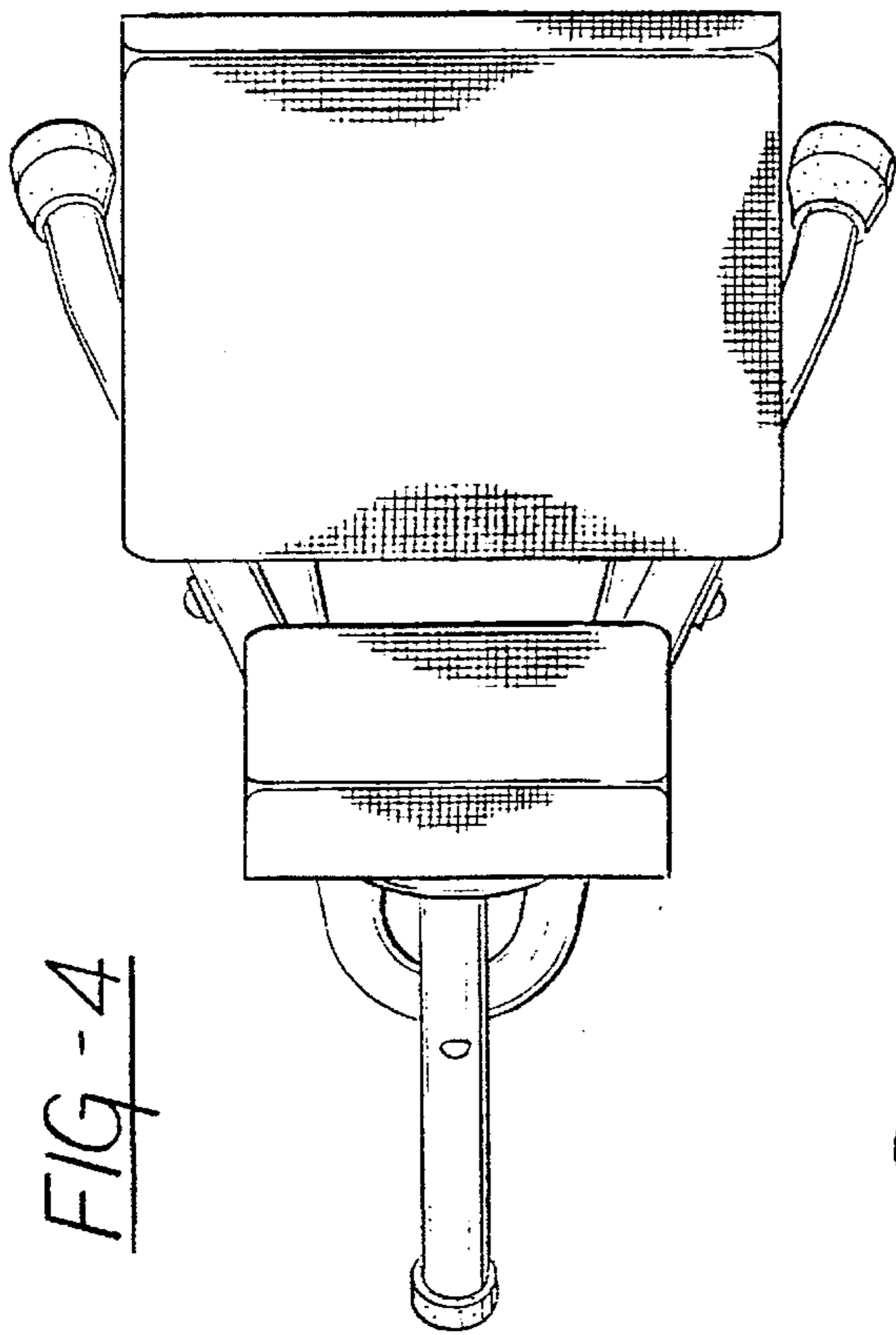


FIG - 4

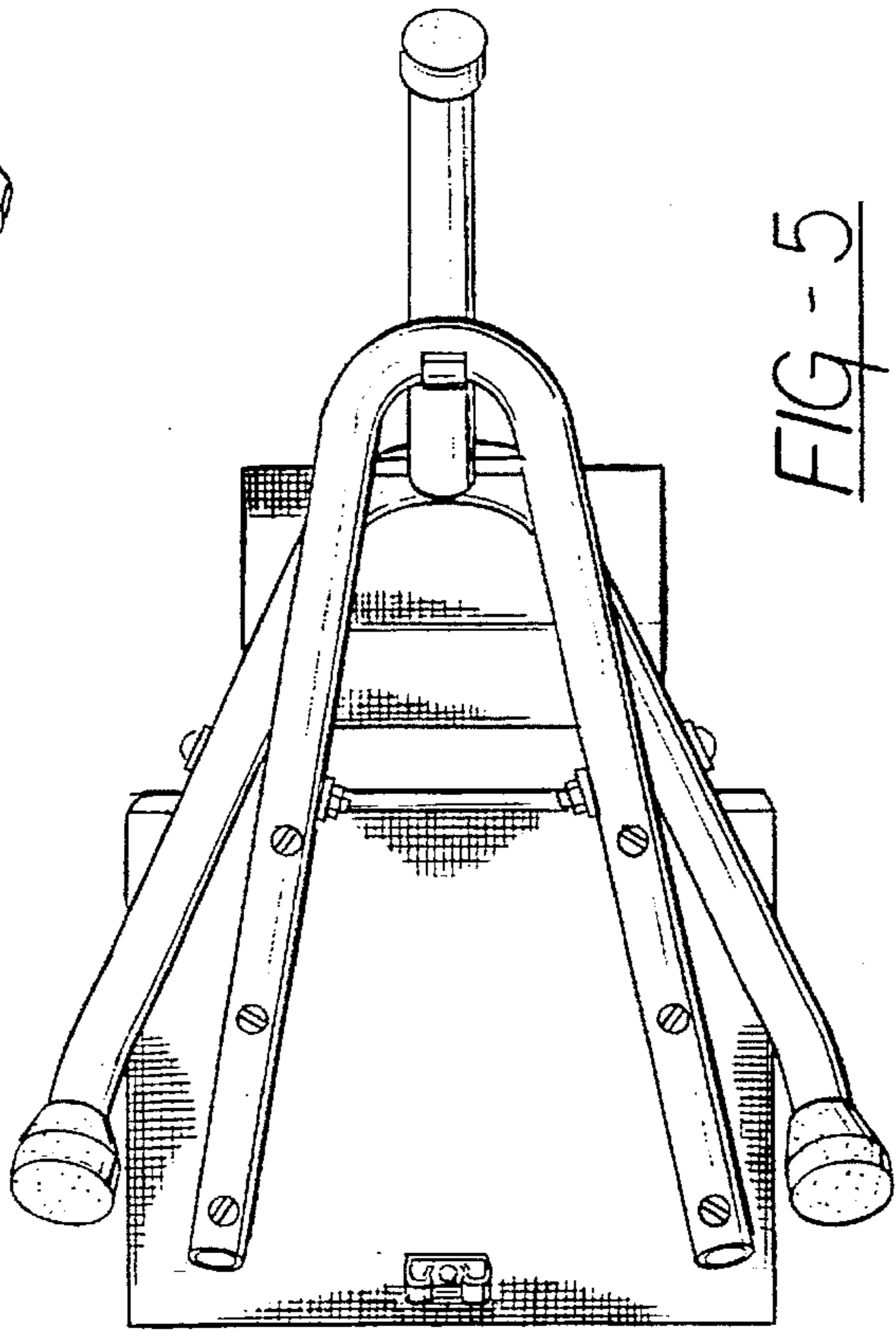


FIG - 5

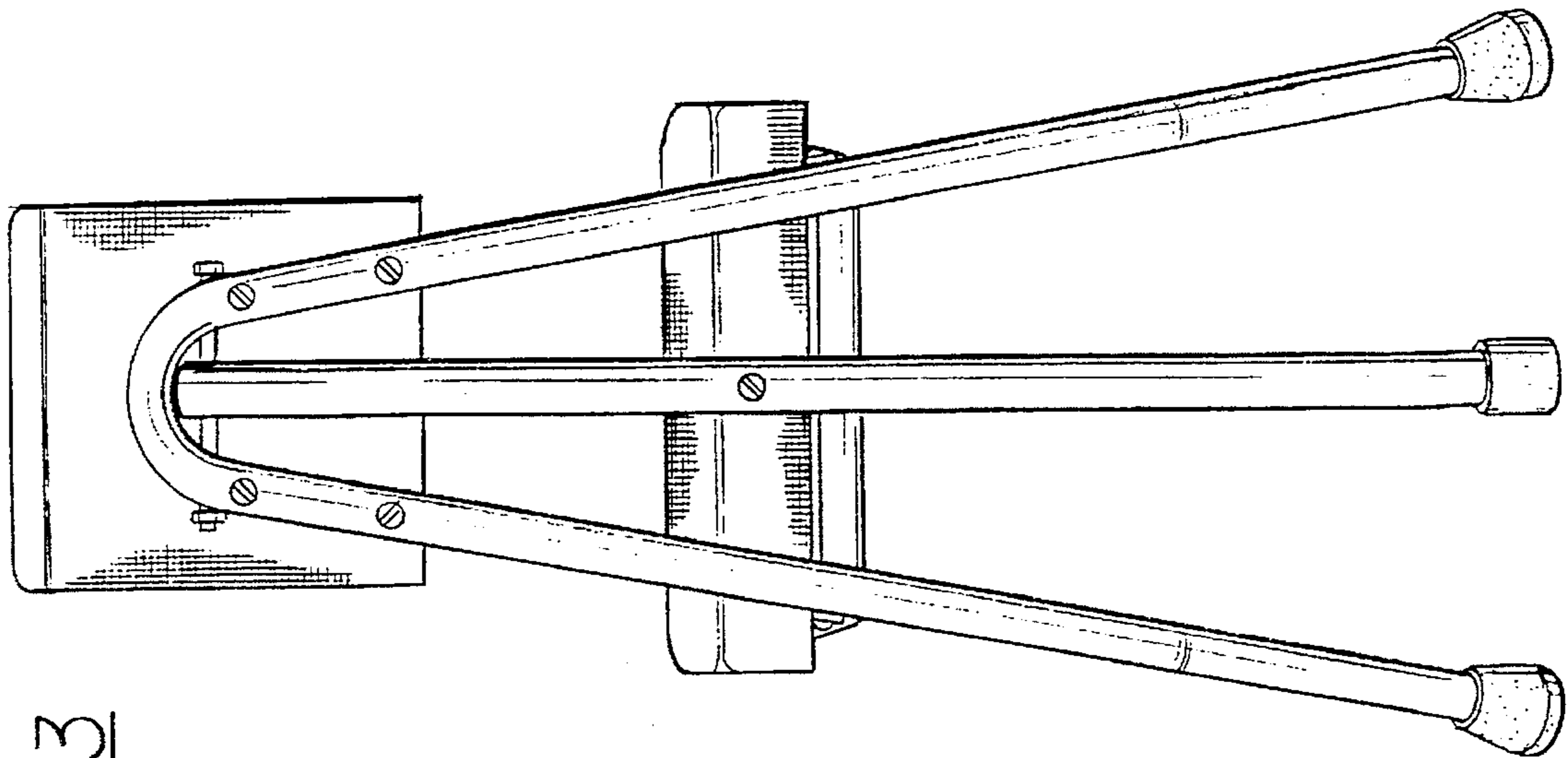


FIG - 3