



US00D381525S

United States Patent [19]

[11] Patent Number: **Des. 381,525**

James

[45] Date of Patent: ****Jul. 29, 1997**

[54] **CHAIR**

[75] Inventor: **Paul A. James**, Rochester, N.Y.
[73] Assignee: **Hon Industries Inc.**, Muscatine, Iowa
[**] Term: **14 Years**

[21] Appl. No.: **40,053**
[22] Filed: **Jun. 9, 1995**

[51] LOC (6) Cl. **06-02**
[52] U.S. Cl. **D6/366**
[58] Field of Search D6/334, 365, 366,
D6/367, 379, 500, 501, 502; 297/411.2,
411.44

[56] **References Cited**

U.S. PATENT DOCUMENTS

D. 247,463	3/1978	Müller-Deisig	D6/366
D. 254,105	2/1980	Hosoe	D6/366
D. 267,990	2/1983	Buhk et al.	D6/366
D. 272,204	1/1984	DeBoer	D6/366
D. 273,350	4/1984	Cafiero	D6/366
D. 326,783	6/1992	Piretti	D6/366
D. 326,961	6/1992	Hannah et al.	D6/366
D. 345,060	3/1994	Duncan	D6/366

OTHER PUBLICATIONS

Steelcase, p. 12, Chair #454-561m at right.
Interiors, May 1983, p. 61 Chair at bottom left.
D&F Desks & Furnishings, 1989, p. 88 Chair at mid-page left.

Primary Examiner—Gary D. Watson
Attorney, Agent, or Firm—Jones, Day, Reavis & Pogue

[57] **CLAIM**

The ornamental design for a chair, as shown and described.

DESCRIPTION

FIG. 1 is a left side perspective view of a chair showing my new design;
FIG. 2 is a right side view thereof;
FIG. 3 is a front view thereof;
FIG. 4 is a rear view thereof;
FIG. 5 is a top view thereof;
FIG. 6 is a left side perspective view of a second embodiment of a chair showing my design;
FIG. 7 is a right side view thereof;
FIG. 8 is a front view thereof;
FIG. 9 is a rear view thereof; and,
FIG. 10 is a top view thereof.

1 Claim, 6 Drawing Sheets



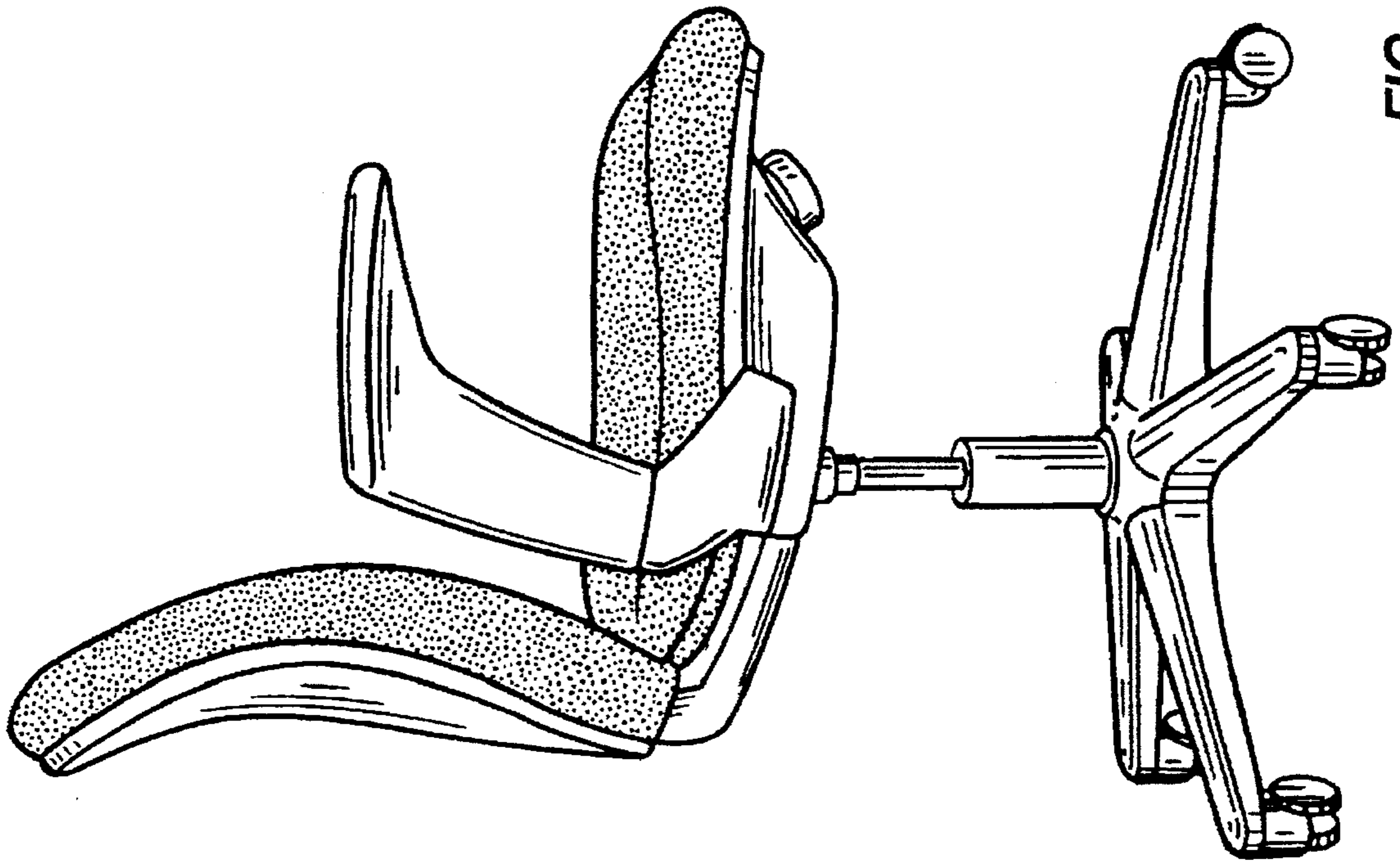


FIG. 2

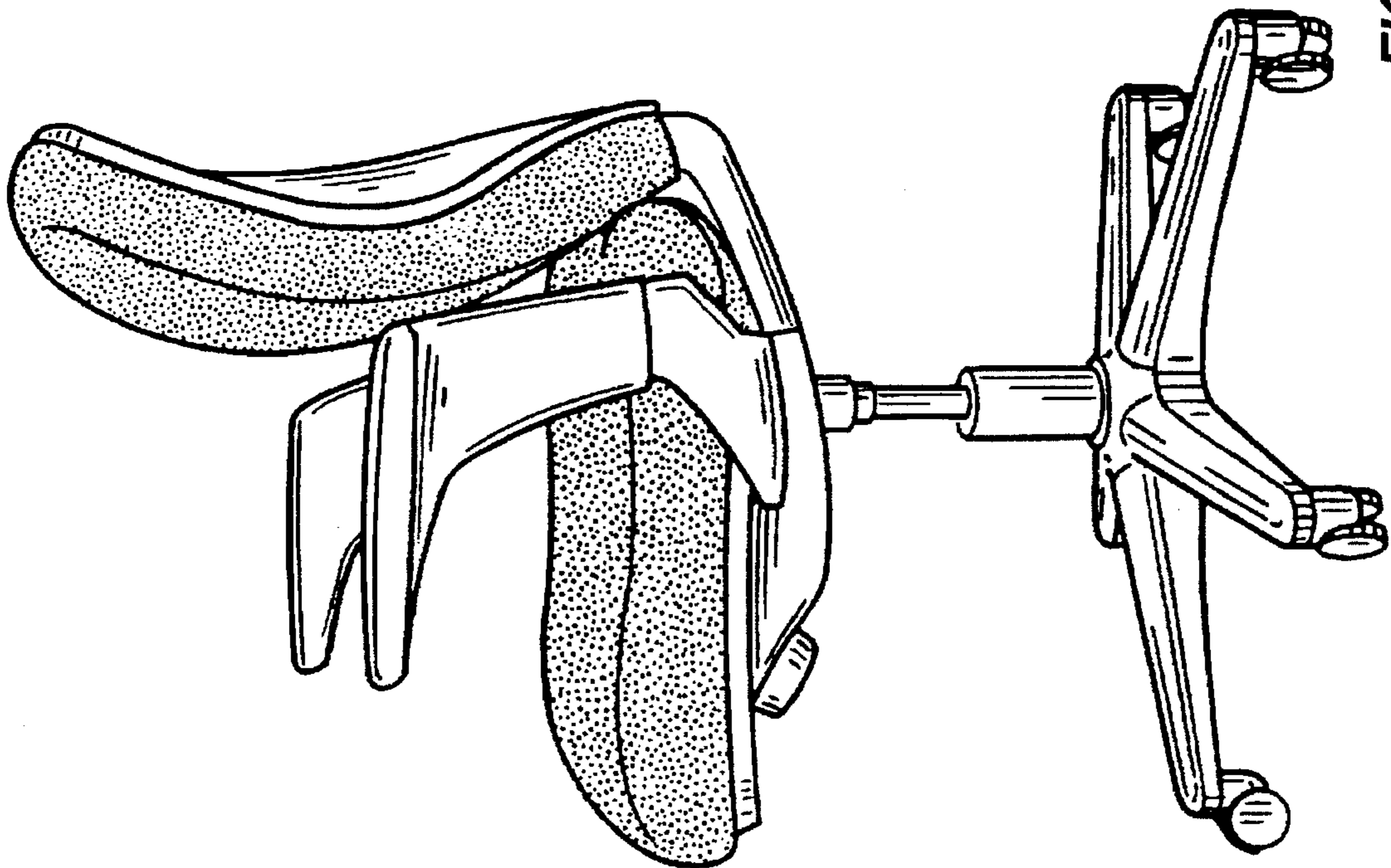


FIG. 1

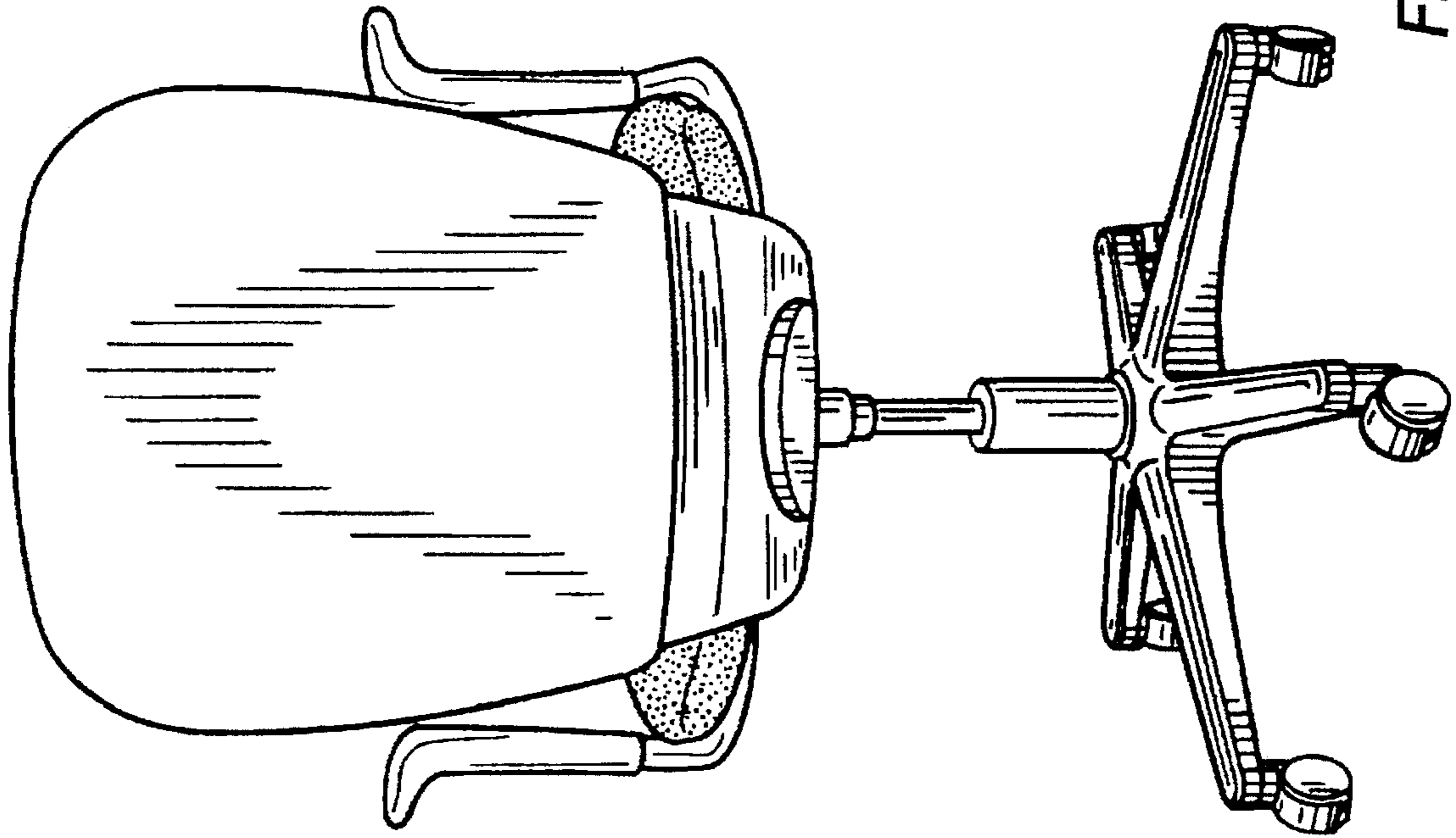


FIG. 4

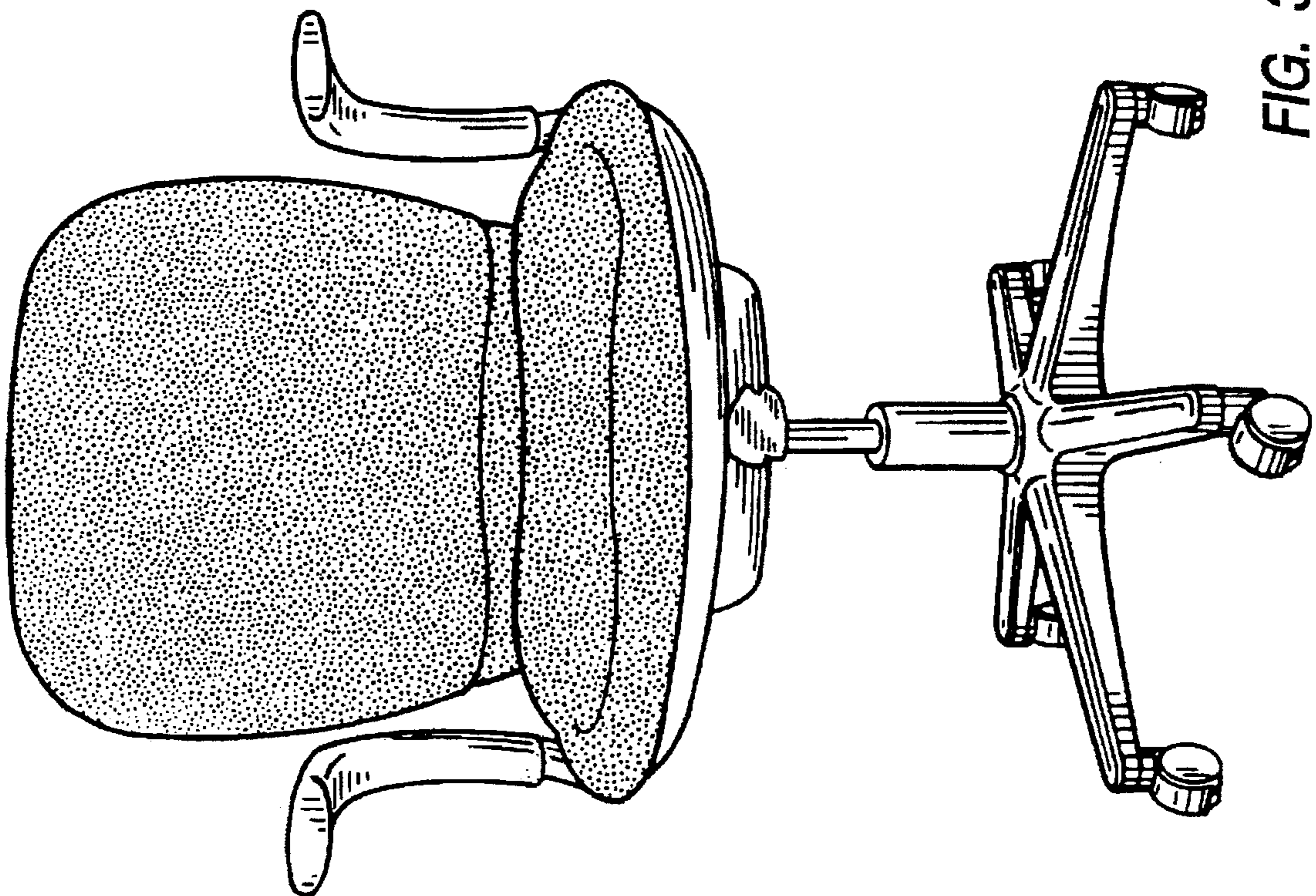


FIG. 3

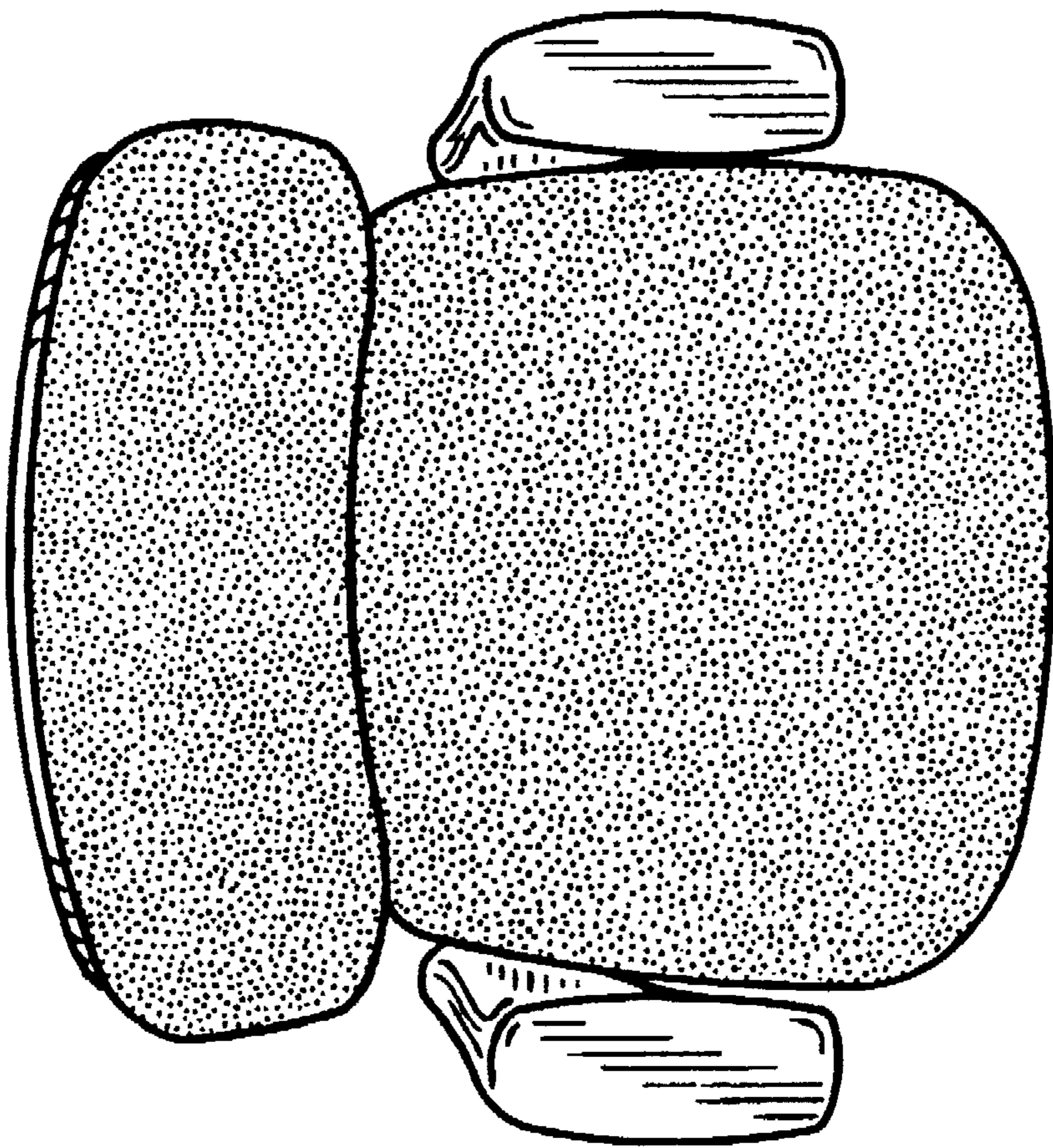


FIG. 5

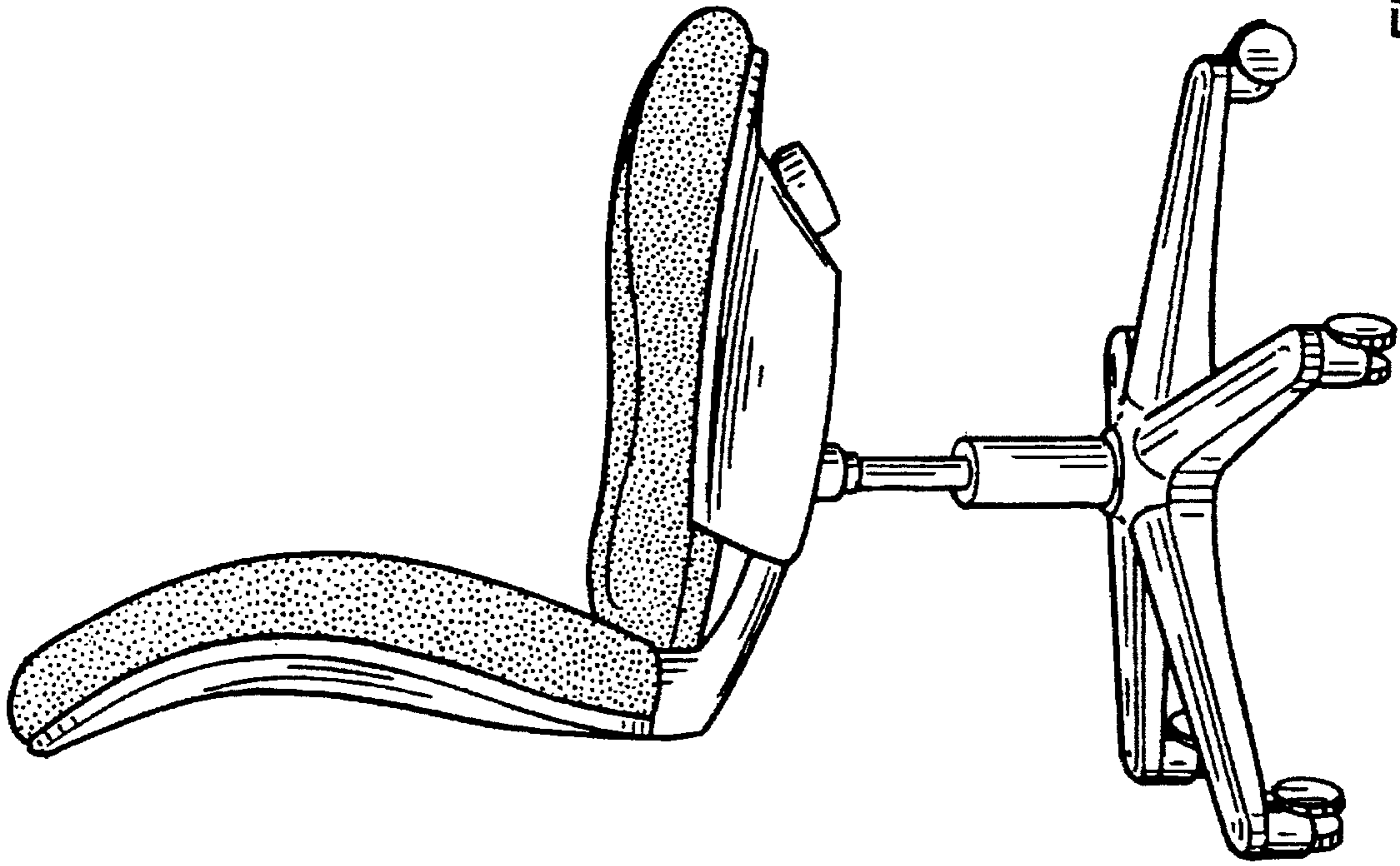


FIG. 7

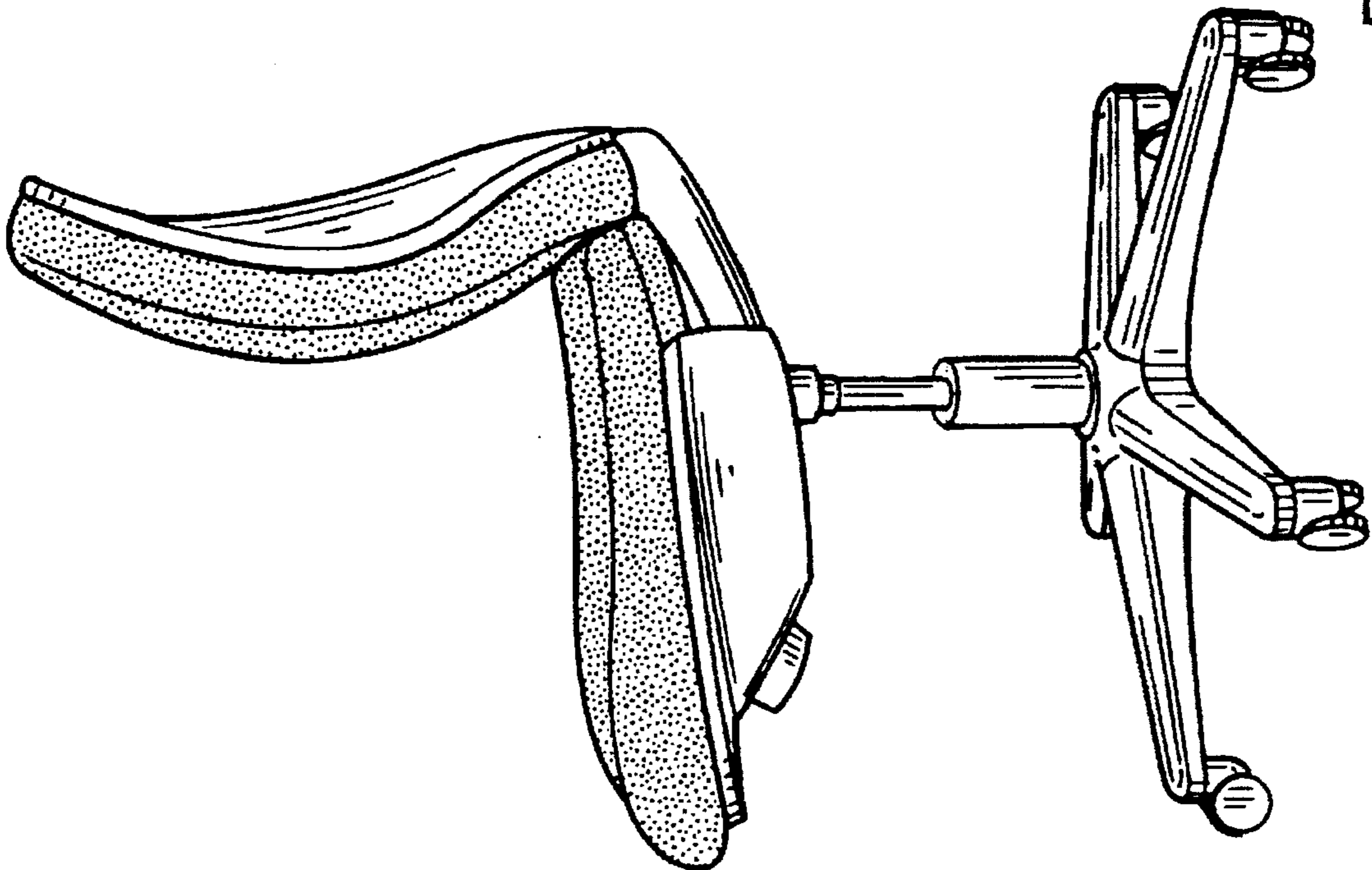


FIG. 6

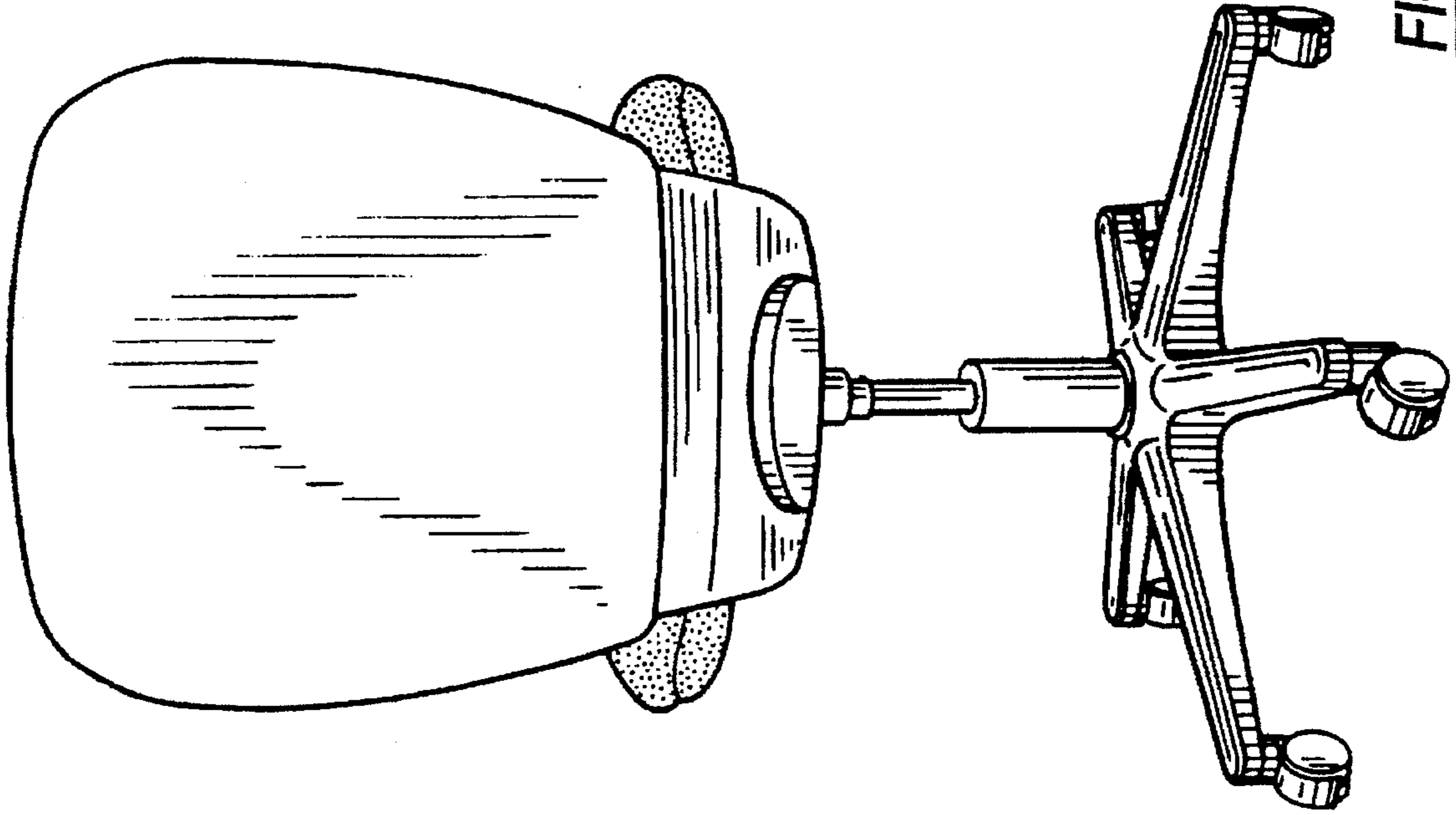


FIG. 9

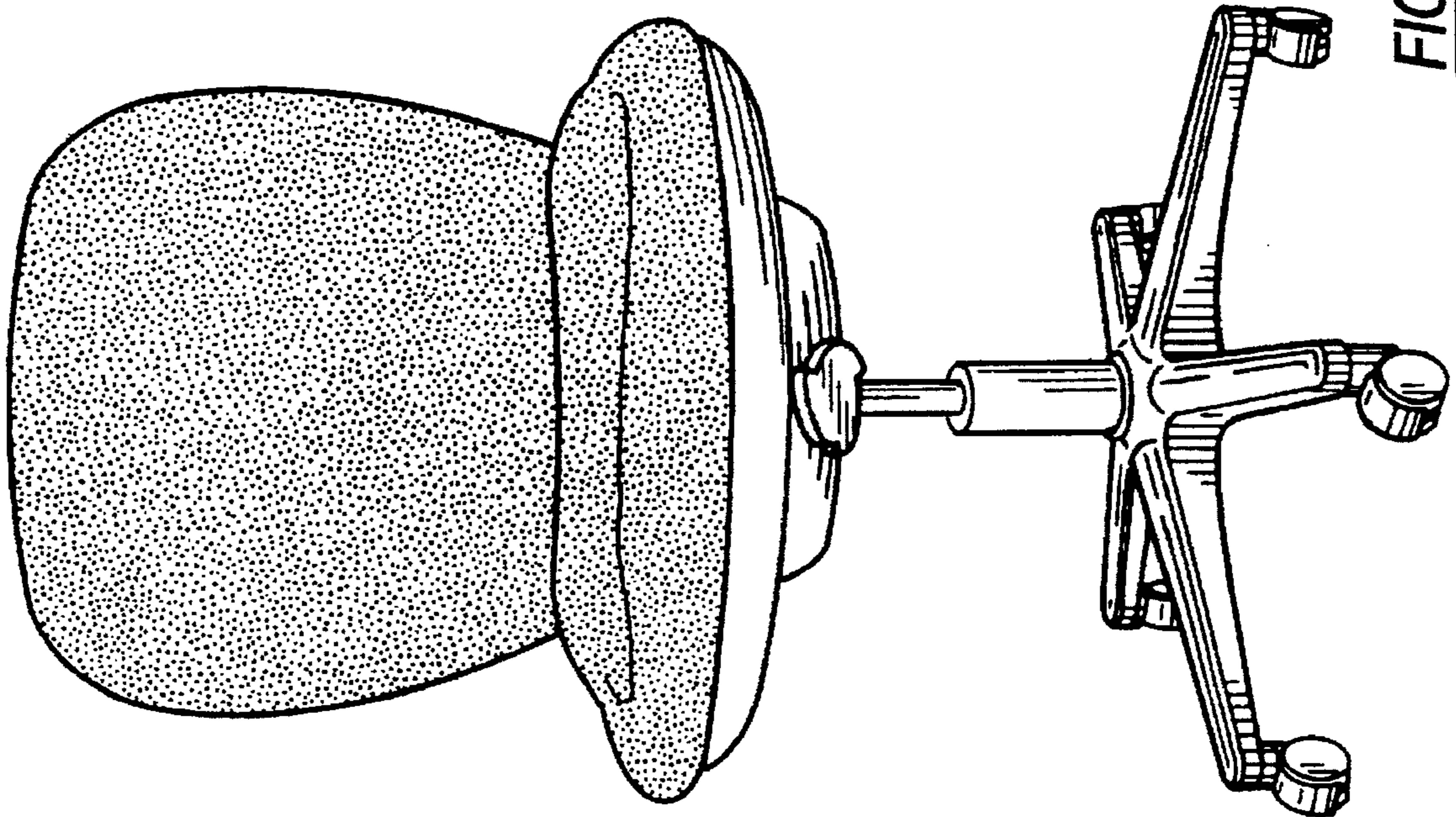


FIG. 8

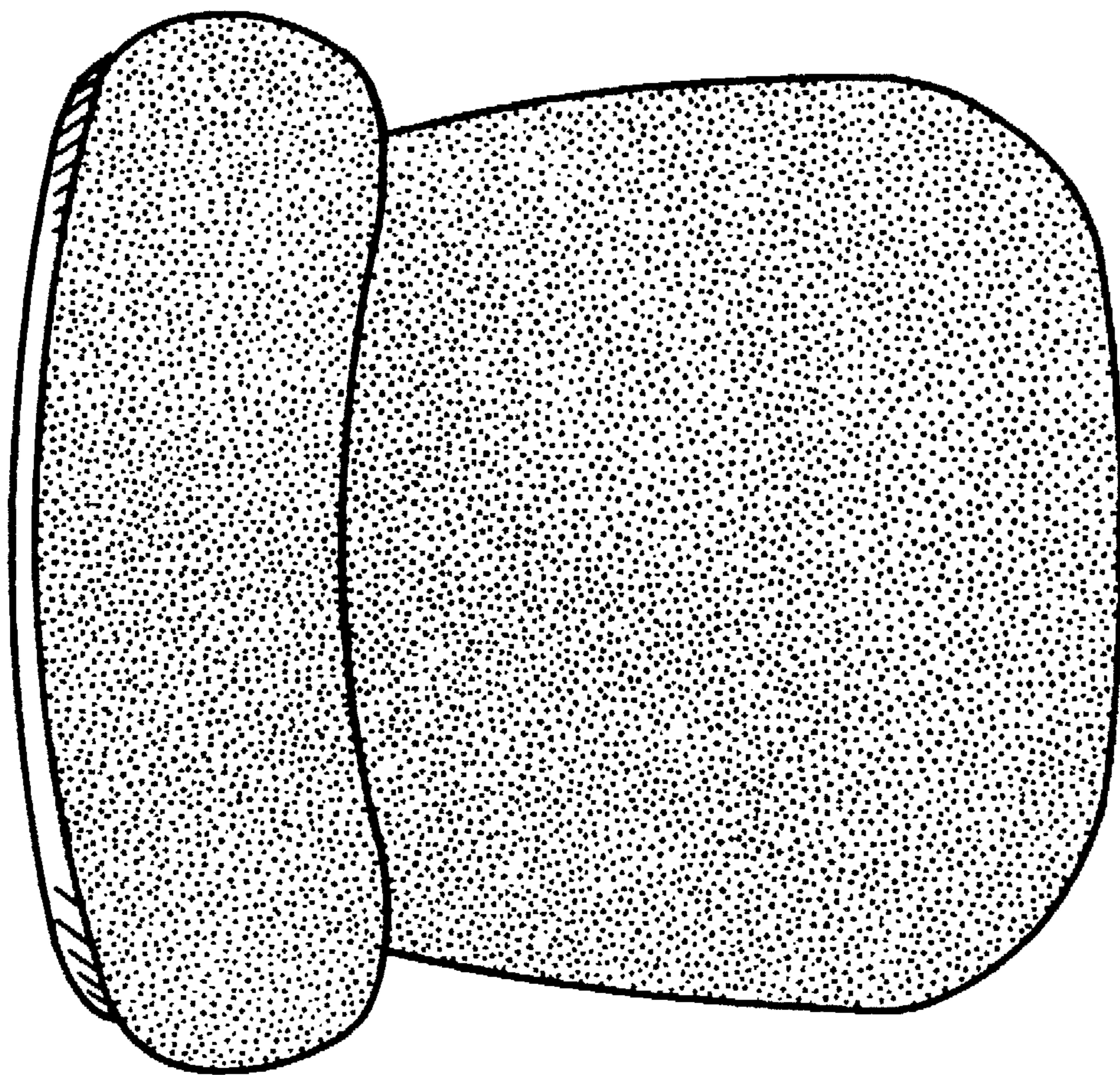


FIG. 10