



US00D381524S

United States Patent [19] Gabriel

[11] Patent Number: **Des. 381,524**

[45] Date of Patent: ****Jul. 29, 1997**

[54] **SUNBATHING CHAIR**

5,246,265 9/1993 Nagan et al. D6/361 X

[76] Inventor: **Savannah Gabriel**, 2065 Sixth Line,
Unit 34, Oakville, Ontario, Canada,
L6H 5R8

OTHER PUBLICATIONS

Sears 1974 Summer Catalog, p. 201, Lounge Chair #9 at
mid-page left.

[**] Term: **14 Years**

Primary Examiner—Gary D. Watson
Attorney, Agent, or Firm—Barrigar & Moss

[21] Appl. No.: **51,525**

[57] CLAIM

[22] Filed: **Mar. 12, 1996**

The ornamental design for a sunbathing chair, as shown and
described.

[51] LOC (6) Cl. **06-01**

[52] U.S. Cl. **D6/361**

[58] Field of Search D6/334, 335, 360,
D6/361, 368, 374, 500, 501, 502; 5/111,
112, 419, 652, 657; 297/900

DESCRIPTION

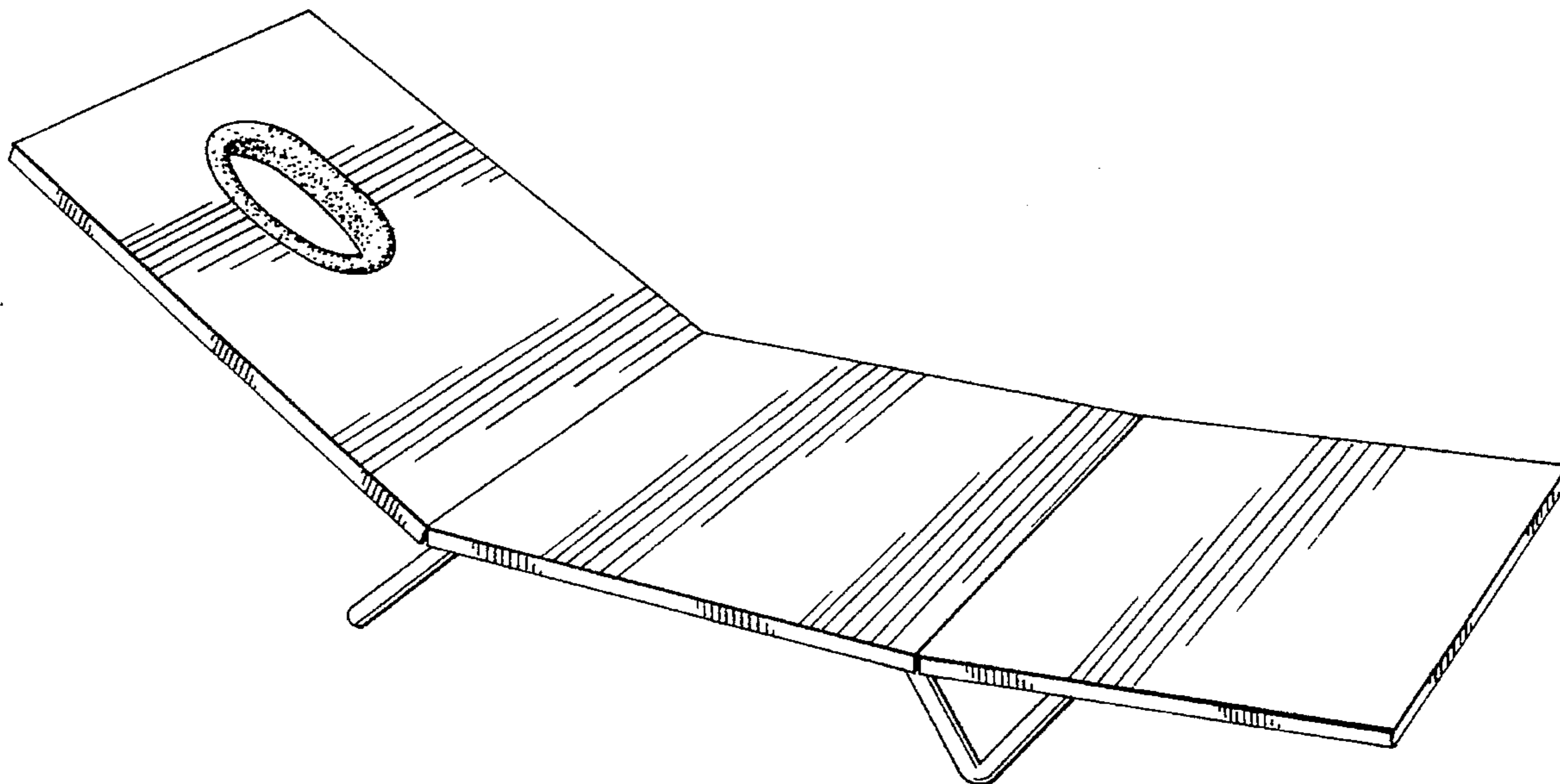
[56] References Cited

U.S. PATENT DOCUMENTS

D. 216,013	11/1969	Evans	D6/368 X
D. 261,705	11/1981	Land et al.	D6/361
D. 335,397	5/1993	Fox	D6/361
D. 341,725	11/1993	Piper	D6/361
D. 352,635	11/1994	Yoder	D6/361 X
D. 355,983	3/1995	Mutch	D6/361
3,897,102	7/1975	Lemaire	D6/361 X
4,606,086	8/1986	Rowland	D6/361 X
4,891,854	1/1990	Finkelstein	D6/361 X
4,926,512	5/1990	Coyle	5/419 X

FIG. 1 is a perspective view of a sunbathing chair taken from
above and from the one side showing my new design;
FIG. 2 is a side view thereof, the opposite side being a mirror
image;
FIG. 3 is a bottom view thereof;
FIG. 4 is a rear end view thereof;
FIG. 5 is a front end view thereof;
FIG. 6 is a side view showing the sunbathing chair in an
alternate position; and,
FIG. 7 is a bottom view of FIG. 6.
The broken line showing of a human form in FIG. 6 is for
illustrative purposes only and forms no part of the claimed
design.

1 Claim, 4 Drawing Sheets



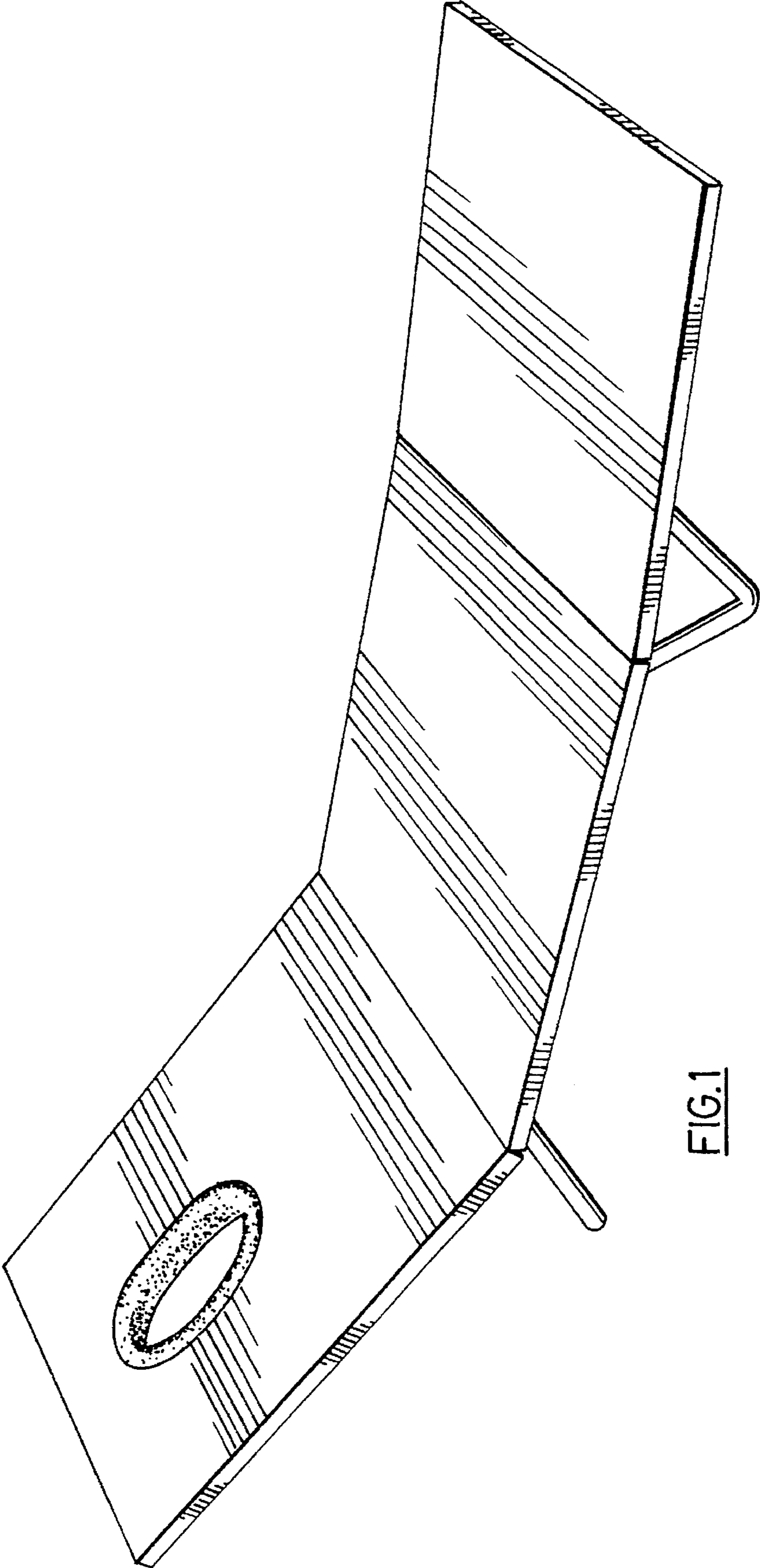


FIG.1

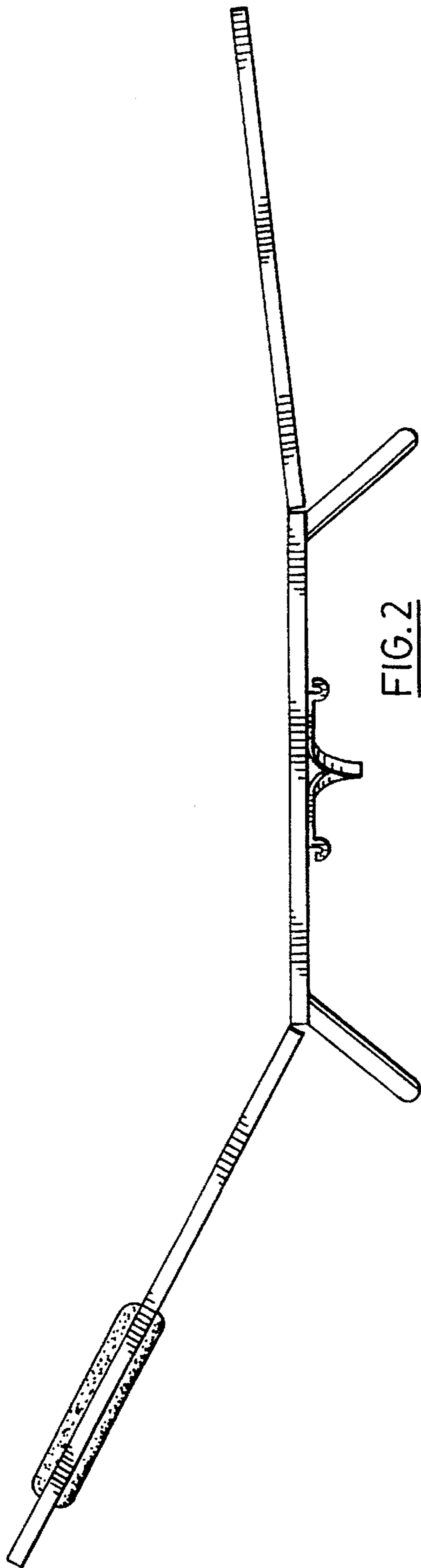


FIG. 2

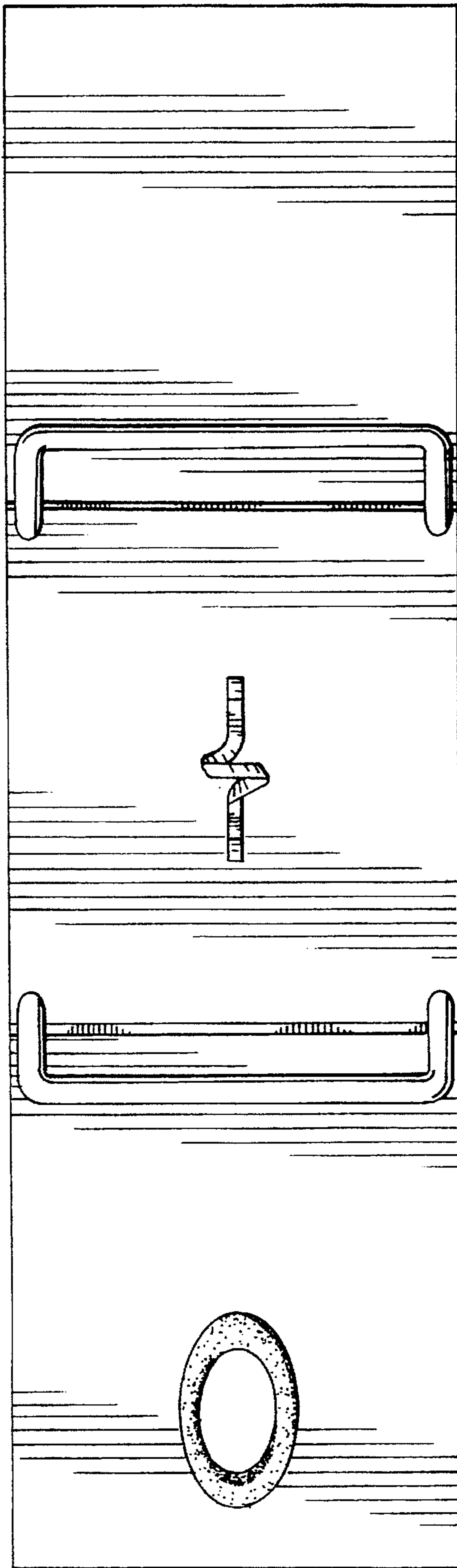


FIG. 3

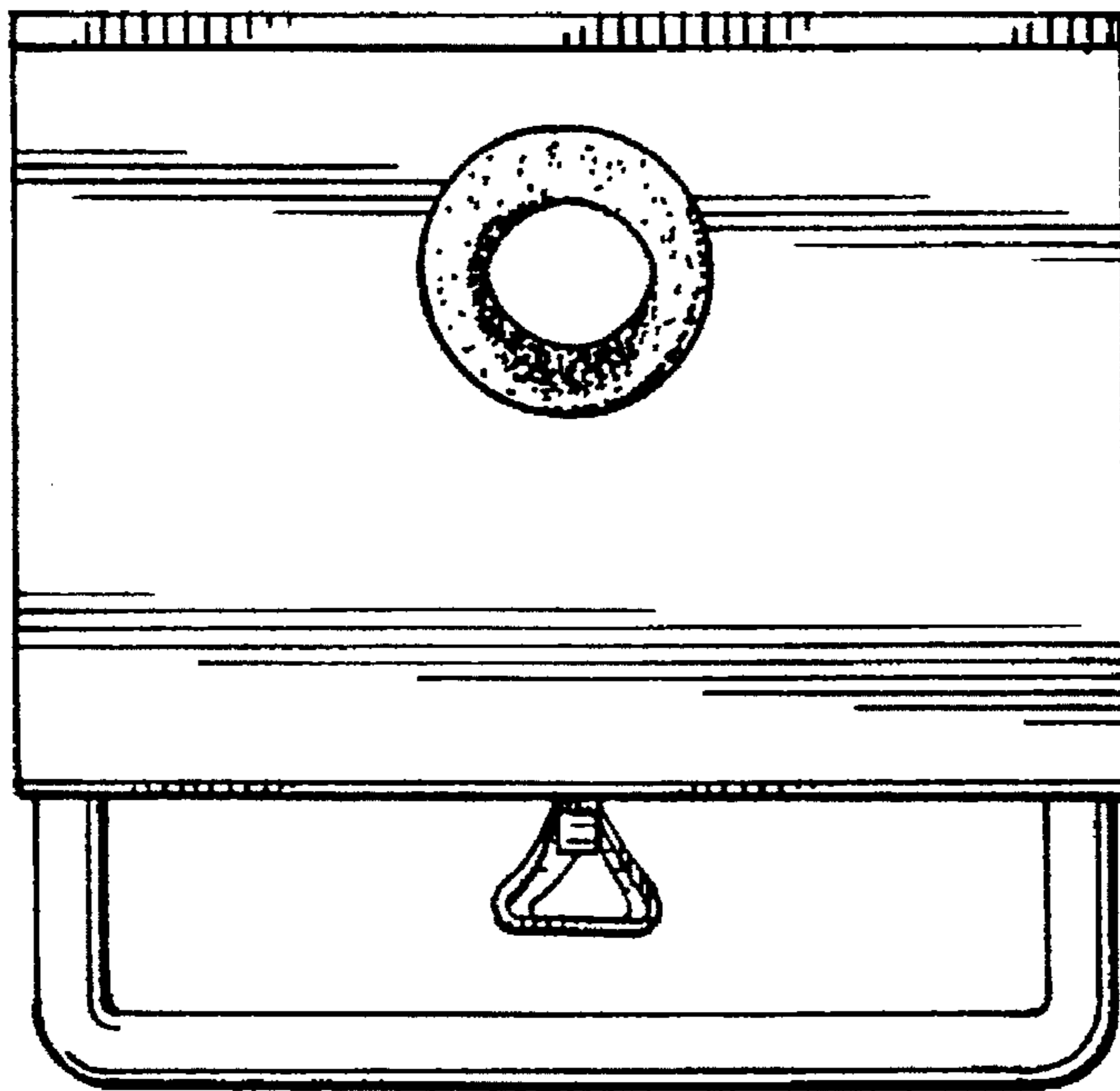


FIG. 4

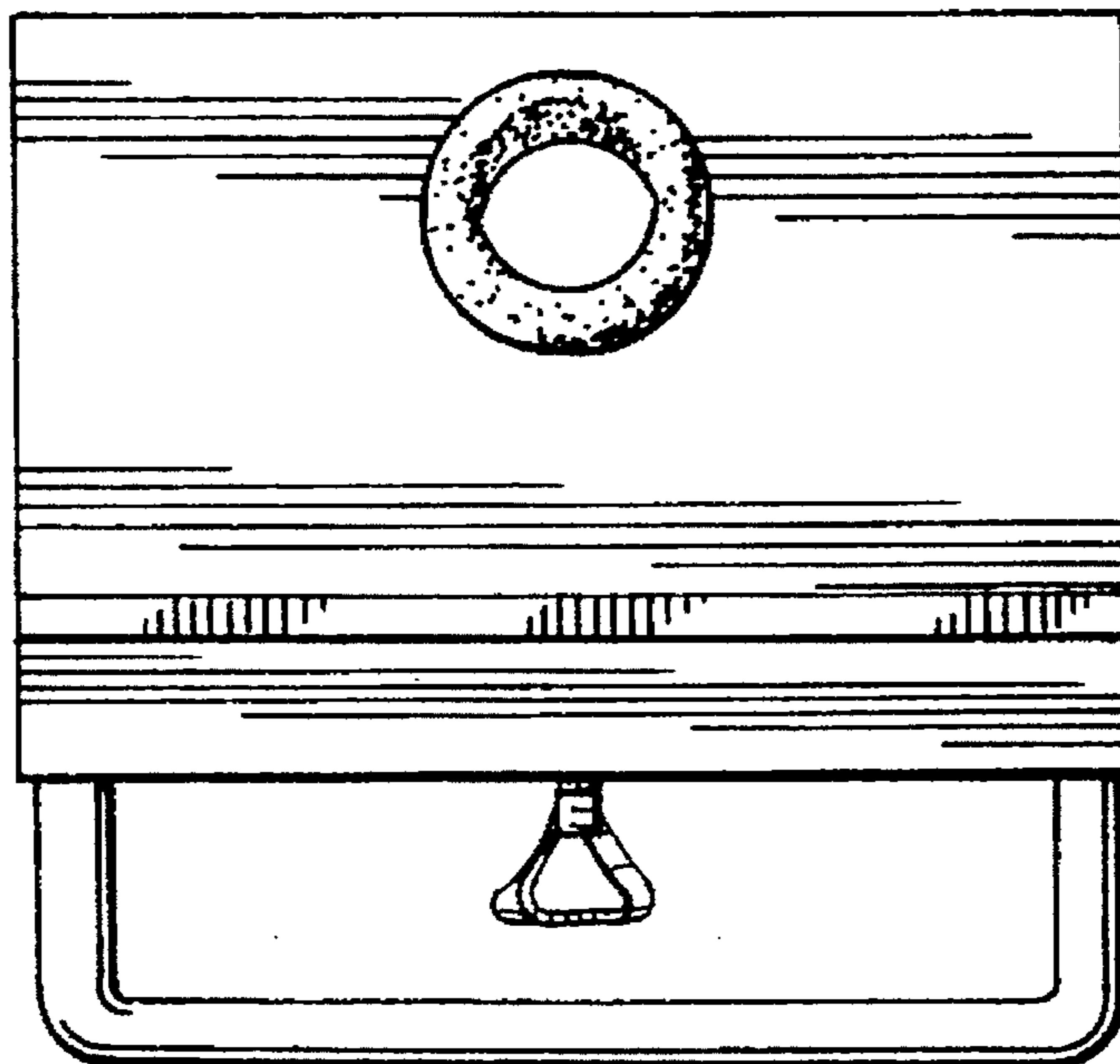


FIG. 5

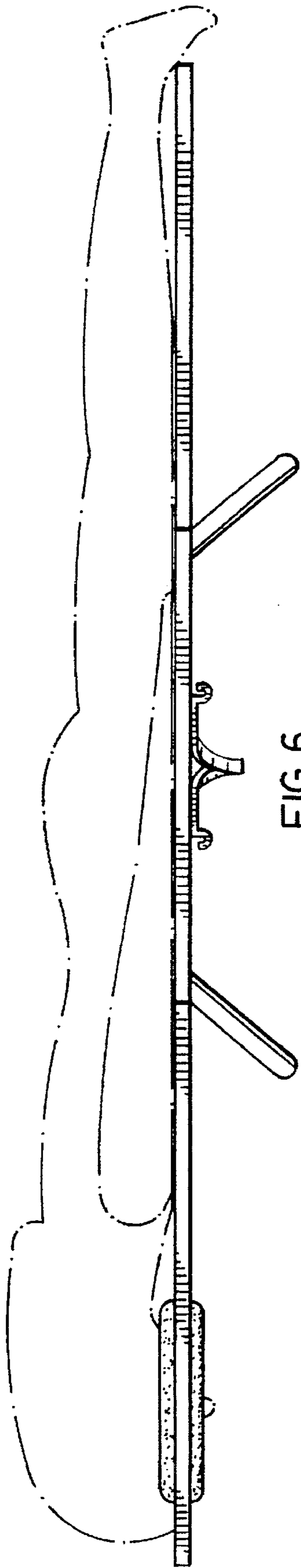


FIG. 6

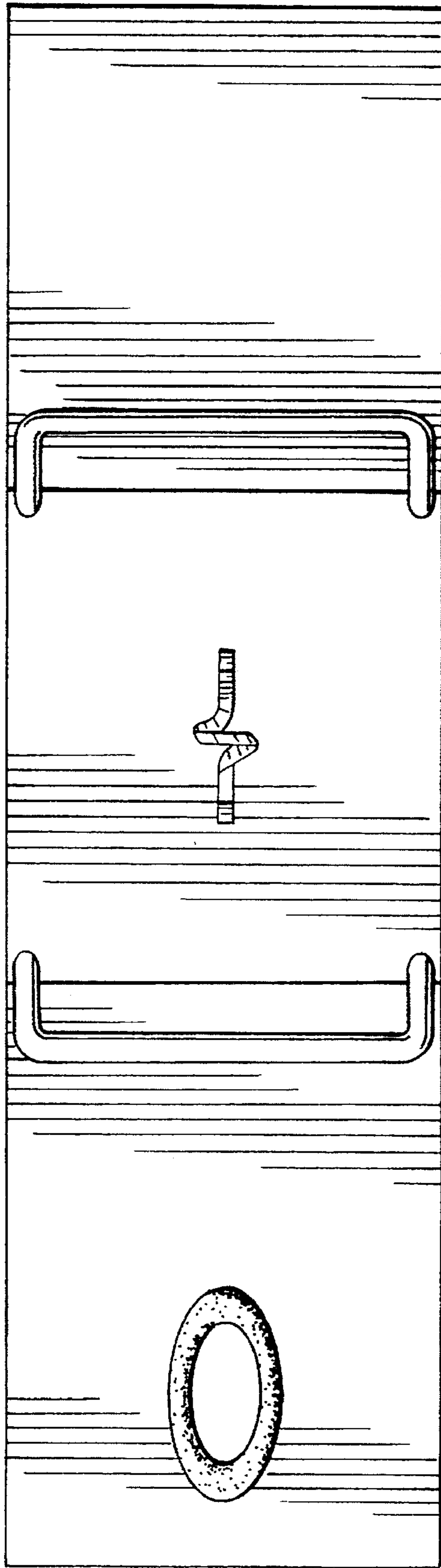


FIG. 7