



US00D381523S

**United States Patent** [19]  
**Beverly**

[11] **Patent Number: Des. 381,523**

[45] **Date of Patent: \*\*Jul. 29, 1997**

[54] **HANGER**

5,044,535 9/1991 Hunt ..... 223/95

[76] Inventor: **Keith Beverly**, P.O. Box 1116, Stinson Beach, Calif. 94970

*Primary Examiner*—Terry A. Wallace  
*Attorney, Agent, or Firm*—Poms, Smith, Lande & Rose Professional Corporation

[\*\*] Term: **14 Years**

[57] **CLAIM**

[21] Appl. No.: **54,826**

The ornamental design for a hanger, as shown and described.

[22] Filed: **May 22, 1996**

**DESCRIPTION**

[51] **LOC (6) Cl.** ..... **06-08**

FIG. 1 is a perspective view of a hanger showing my new design;

[52] **U.S. Cl.** ..... **D6/326; D7/317**

FIG. 2 is a front elevation view thereof;

[58] **Field of Search** ..... D6/315-328; 24/500, 24/511; 223/96, 85, 90, 91, 93

FIG. 3 is a top plan view thereof;

FIG. 4 is a rear elevation view thereof;

FIG. 5 is a bottom plan view thereof;

FIG. 6 is a right side elevation view thereof;

FIG. 7 is a left side elevation view thereof;

FIG. 8 is a perspective view of an alternate embodiment of FIG. 1;

FIG. 9 is a perspective view of an alternate embodiment of FIG. 1; and,

FIG. 10 is a perspective view of an alternate embodiment of FIG. 1.

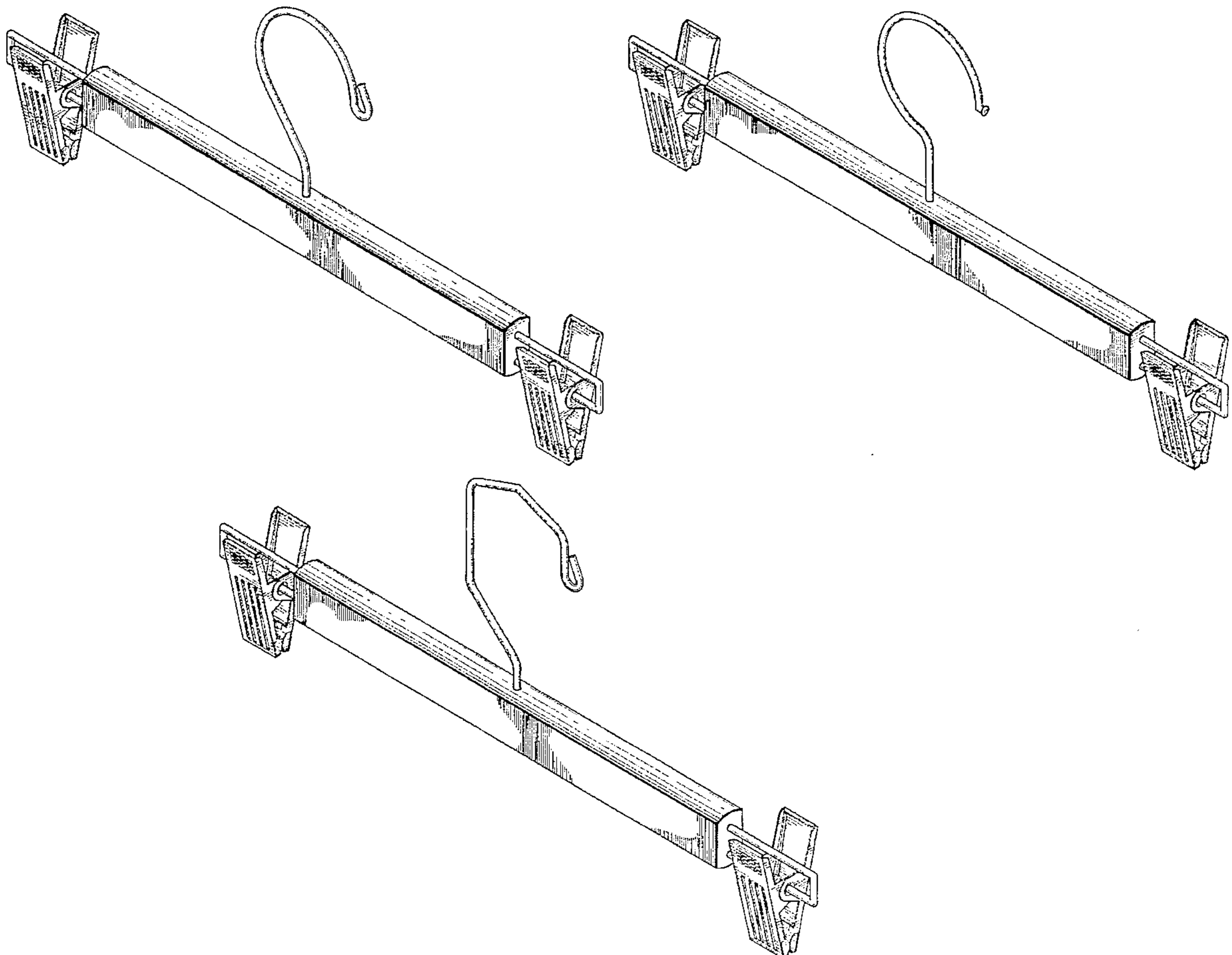
The alternate embodiments are identical to the first embodiment except for the hook portion.

[56] **References Cited**

**U.S. PATENT DOCUMENTS**

D. 319,927	9/1991	Beverly	.....	D6/326
D. 328,194	7/1992	Garrison	.....	D6/317
1,999,310	4/1935	Thompson	.....	211/113 X
2,440,066	4/1948	Bell	.....	223/96
2,580,193	12/1951	Richterkessing	.....	211/113
3,045,882	7/1962	Marrocco	.....	223/96
3,474,943	10/1969	McBain et al.	.....	223/95
4,295,585	10/1981	Garrison	.....	223/96
4,623,080	11/1986	Hermann	.....	223/95
4,729,498	3/1988	Blanchard	.....	223/95
4,832,239	5/1989	Andersson	.....	223/95
5,022,571	6/1991	Blanchard	.....	223/95

**1 Claim, 7 Drawing Sheets**



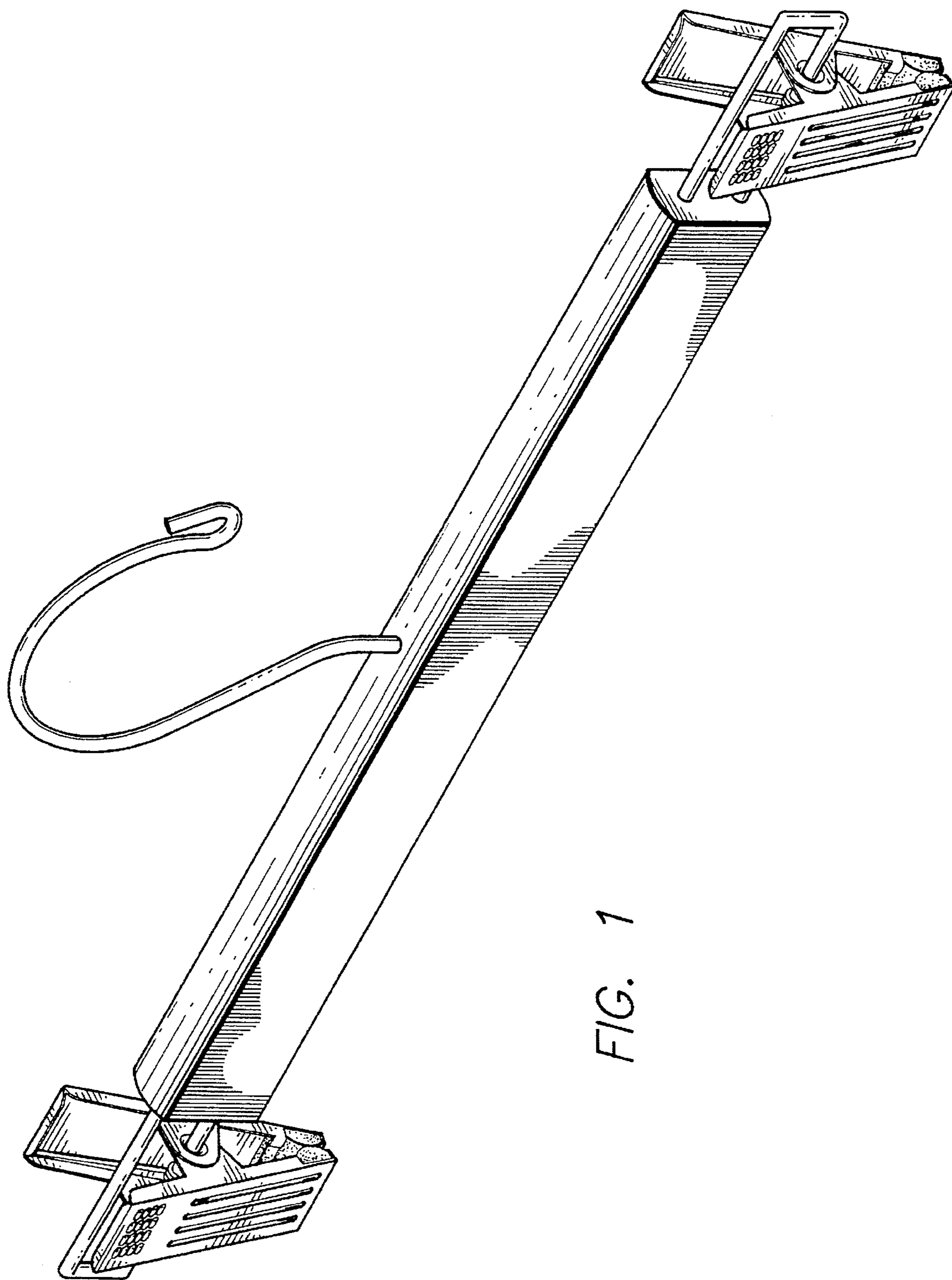


FIG. 1

FIG. 3

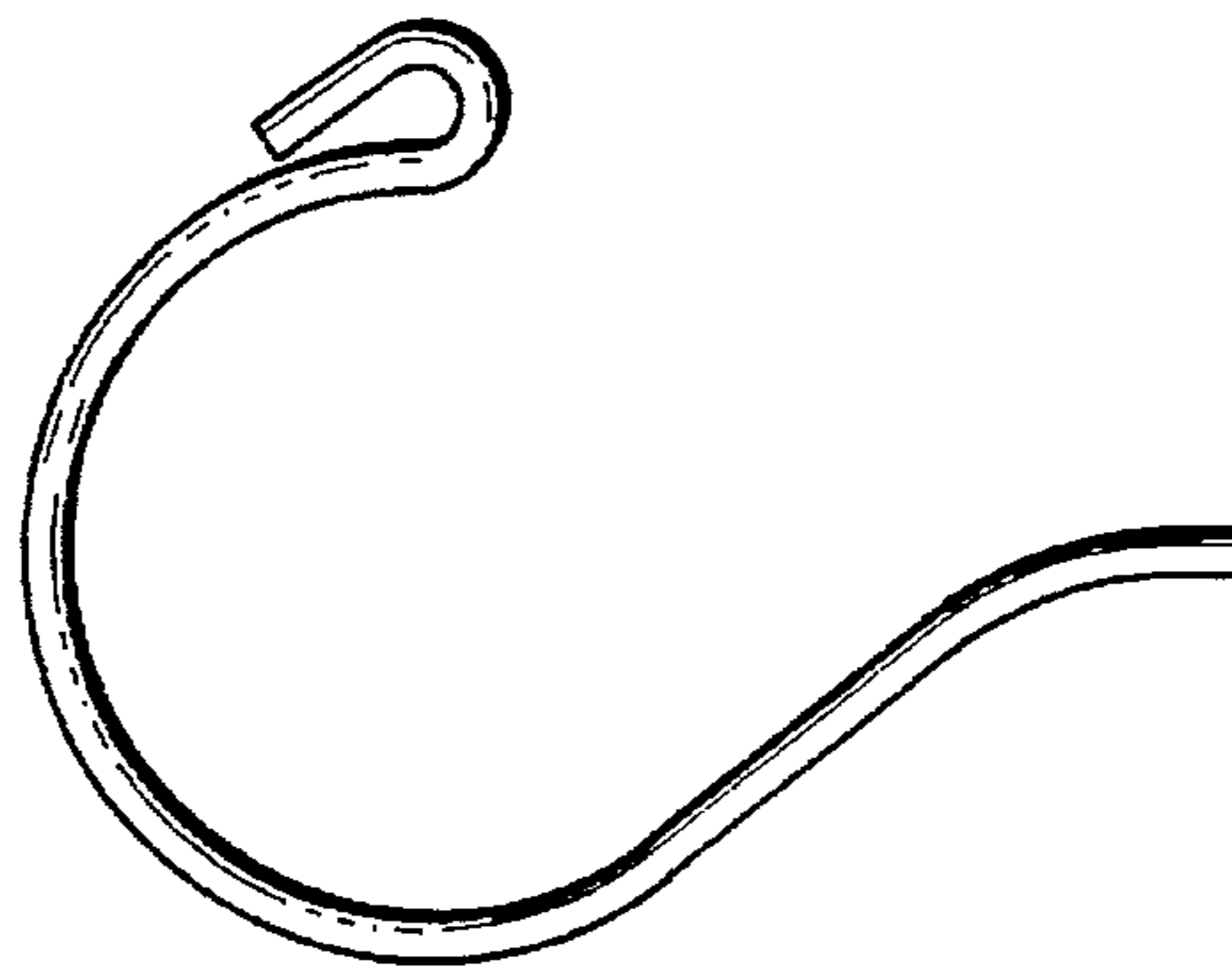
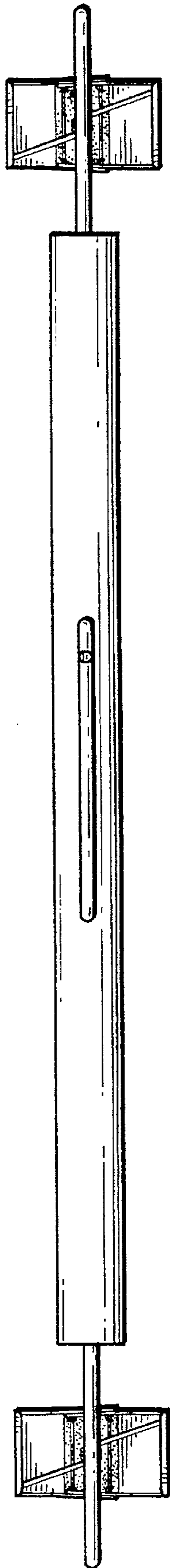
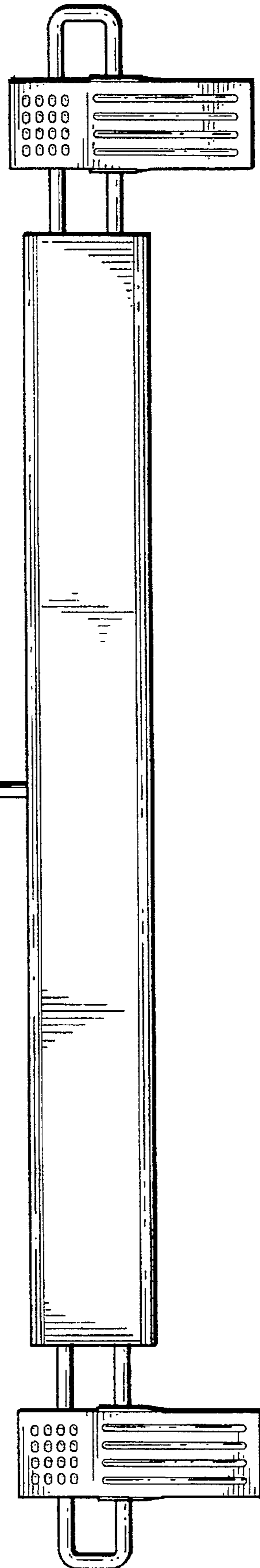


FIG. 2





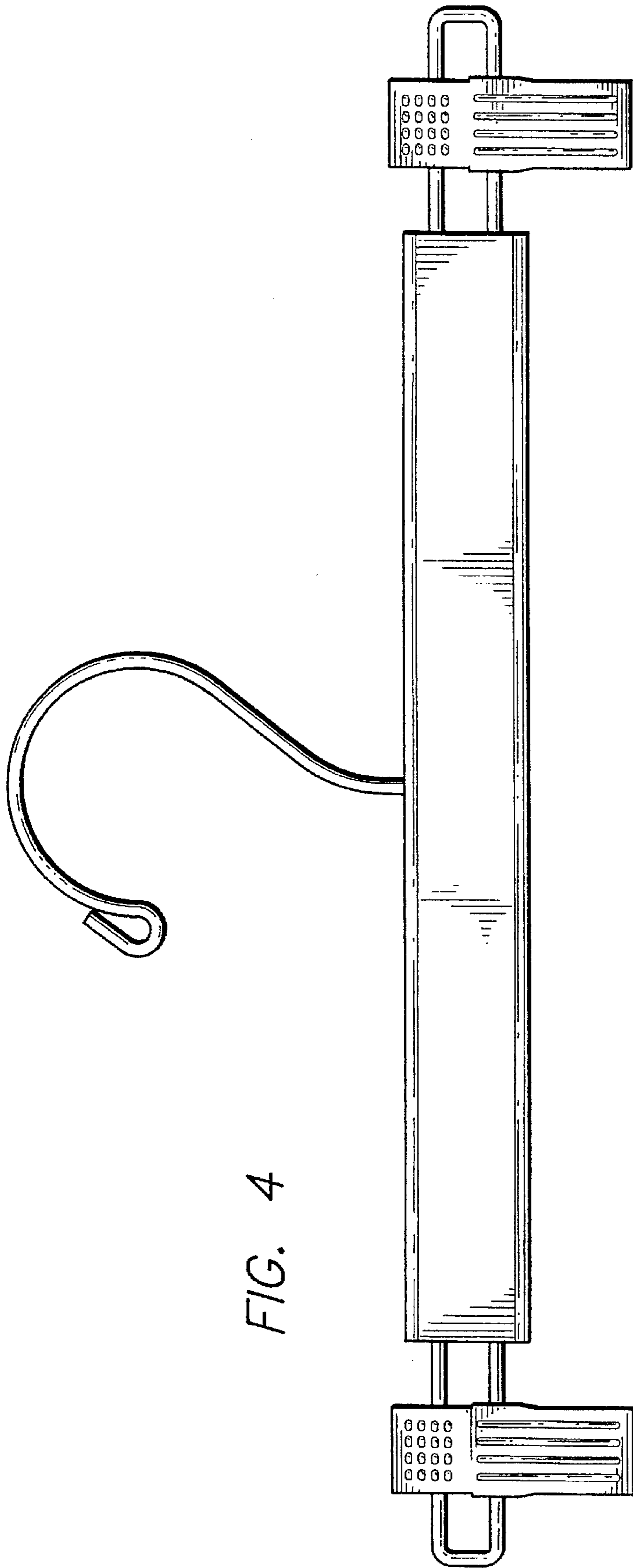


FIG. 4

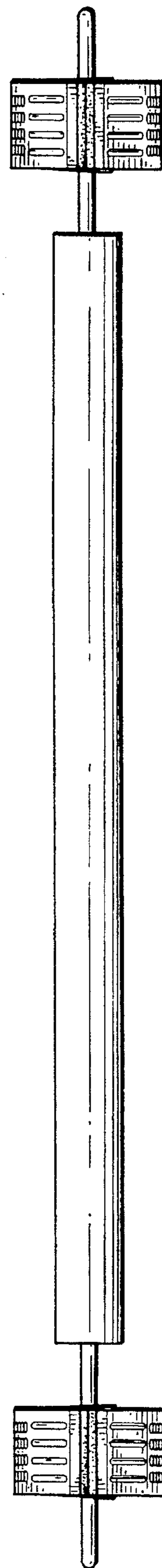


FIG. 5

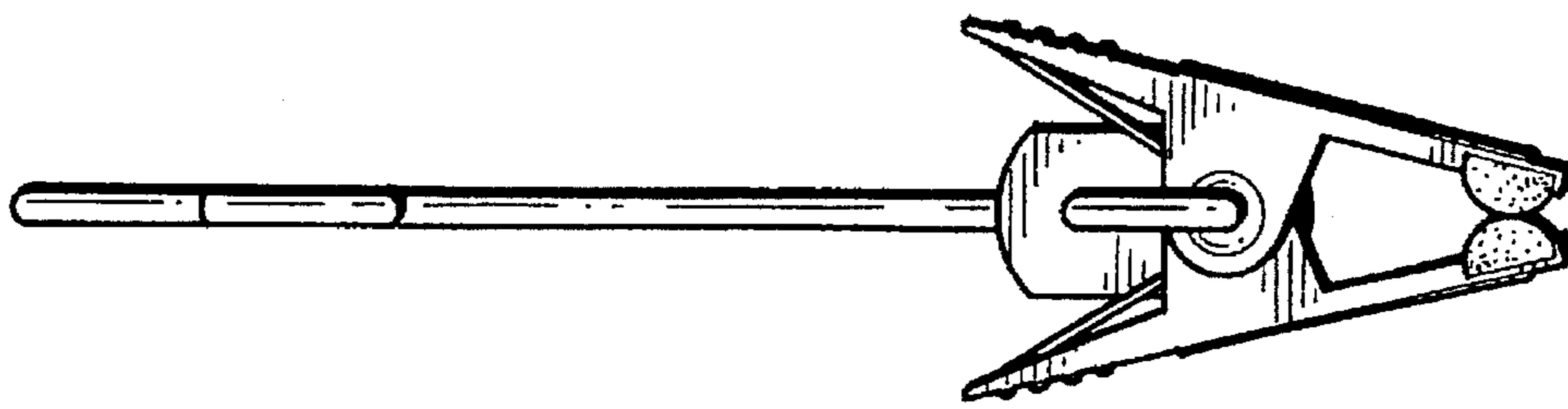


FIG. 7

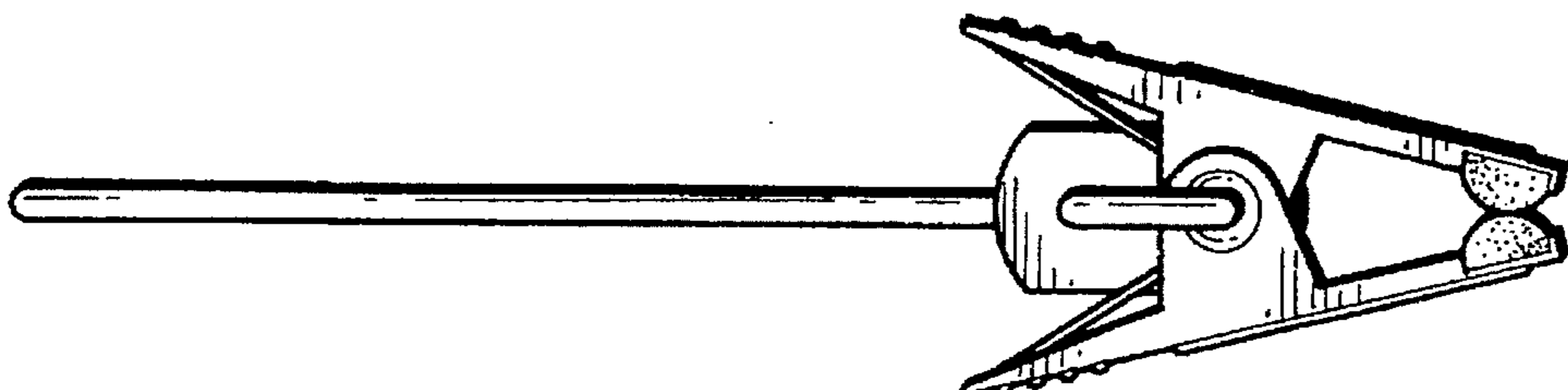


FIG. 6

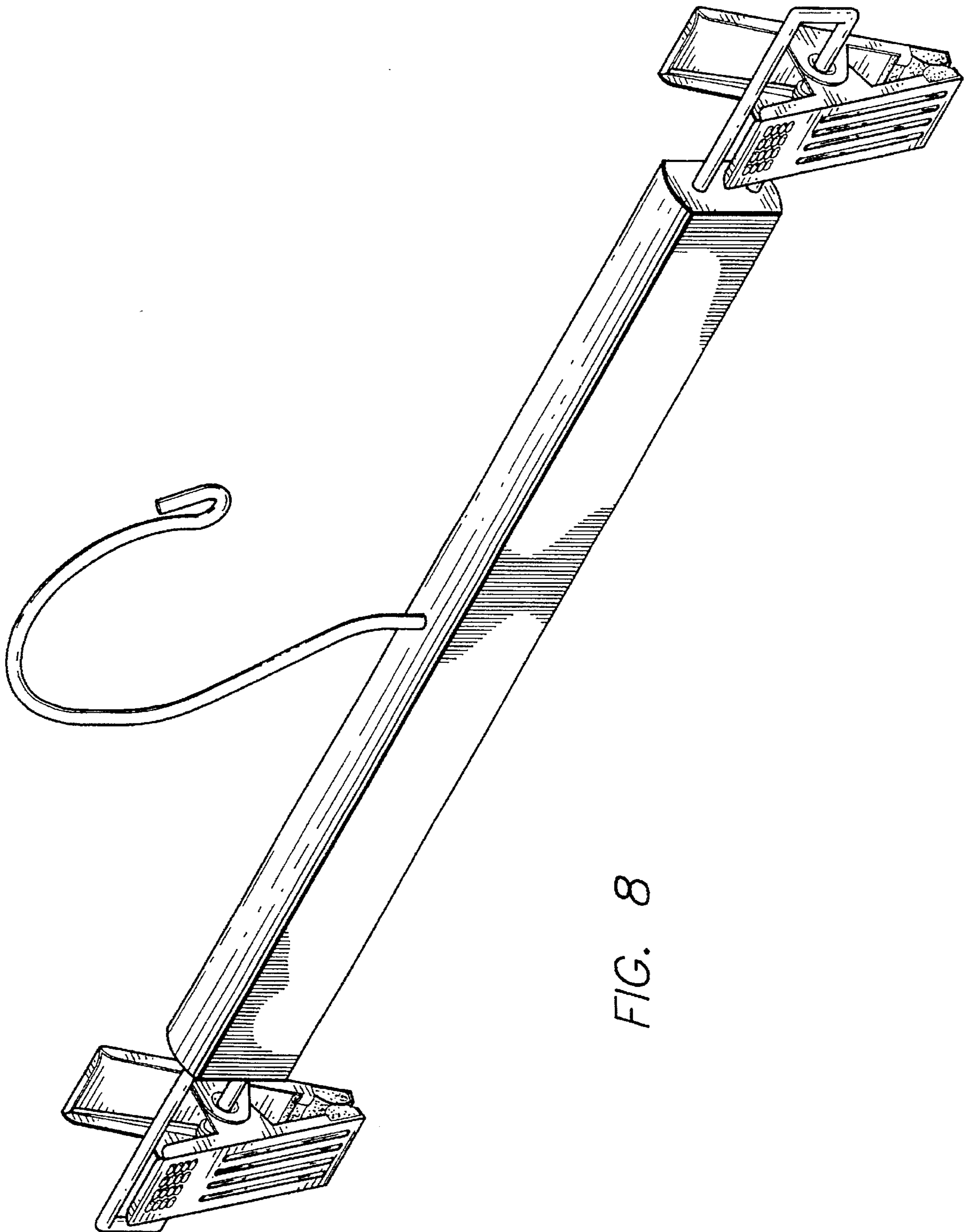


FIG. 8

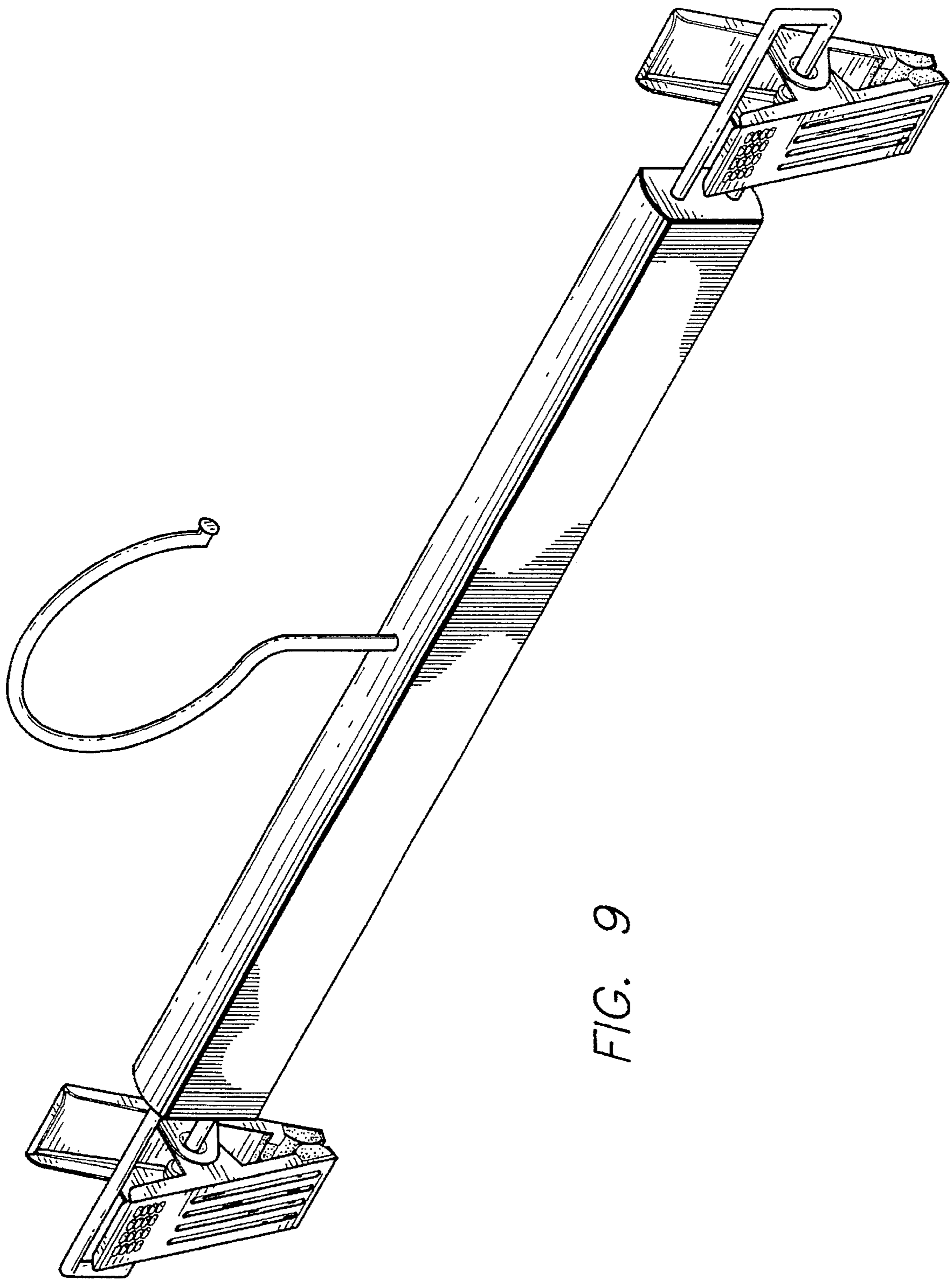


FIG. 9

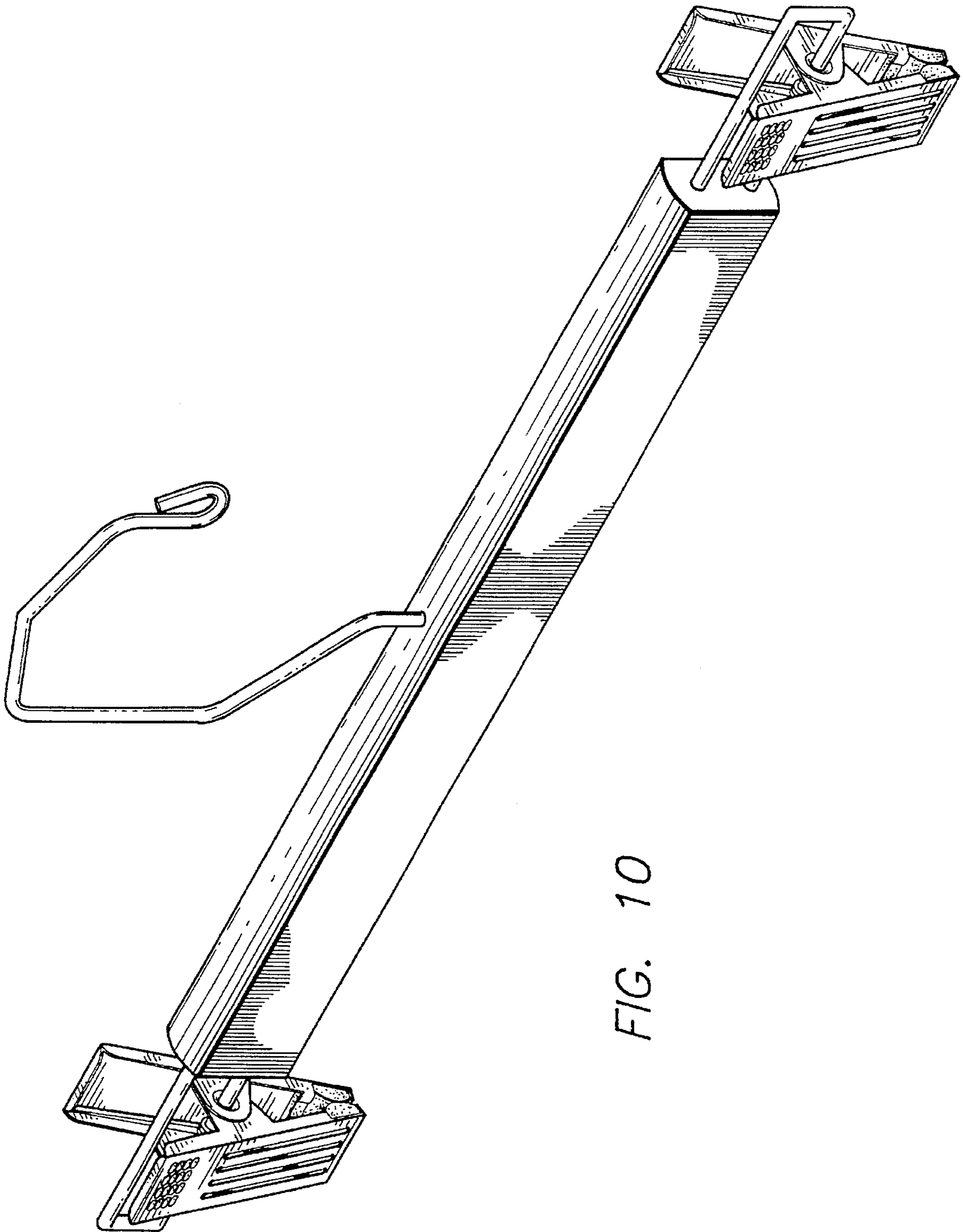


FIG. 10