



US00D381522S

# United States Patent [19] Groom

[11] Patent Number: **Des. 381,522**  
[45] Date of Patent: **\*\*Jul. 29, 1997**

[54] COAT HANGER

[76] Inventor: **John Groom**, P.O. Box 475, Windsor,  
Conn. 06095

[\*\*] Term: **14 Years**

[21] Appl. No.: **42,649**

[22] Filed: **Aug. 16, 1995**

[51] LOC (6) Cl. .... **06-08**

[52] U.S. Cl. .... **D6/320**

[58] Field of Search ..... D6/315, 316, 317,  
D6/318, 320, 323, 324, 513, 552, 562,  
566, 569, 574; 211/90, 99, 100, 106, 113

[56] **References Cited**

**U.S. PATENT DOCUMENTS**

D. 92,695	7/1934	Bear	.....	D6/320
127,232	5/1872	Godfrey	.....	211/100
D. 236,123	7/1975	Brent	.....	D6/566
D. 323,439	1/1992	Emery	.....	D6/562

D. 343,321	1/1994	Emery	.....	D6/566
976,205	11/1910	Neuhaus	.....	211/99
1,996,552	4/1935	Schwender	.....	211/113
2,490,994	12/1949	Brown	.....	211/106
3,115,107	12/1963	Glenny	.....	211/106
5,355,810	10/1994	Camilleri	.....	211/90

*Primary Examiner*—Raphael Barkai  
*Attorney, Agent, or Firm*—McCormick, Paulding & Huber

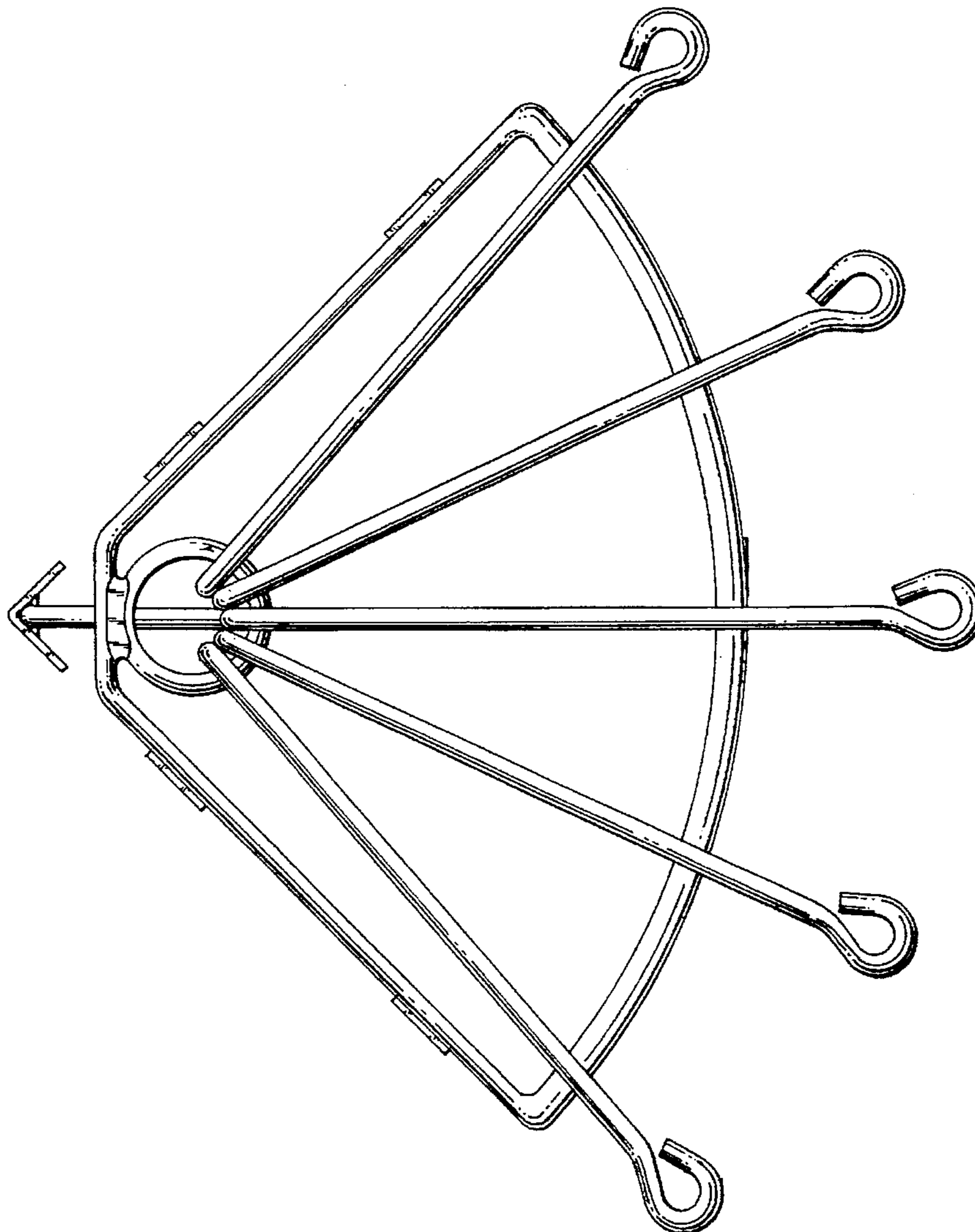
[57] **CLAIM**

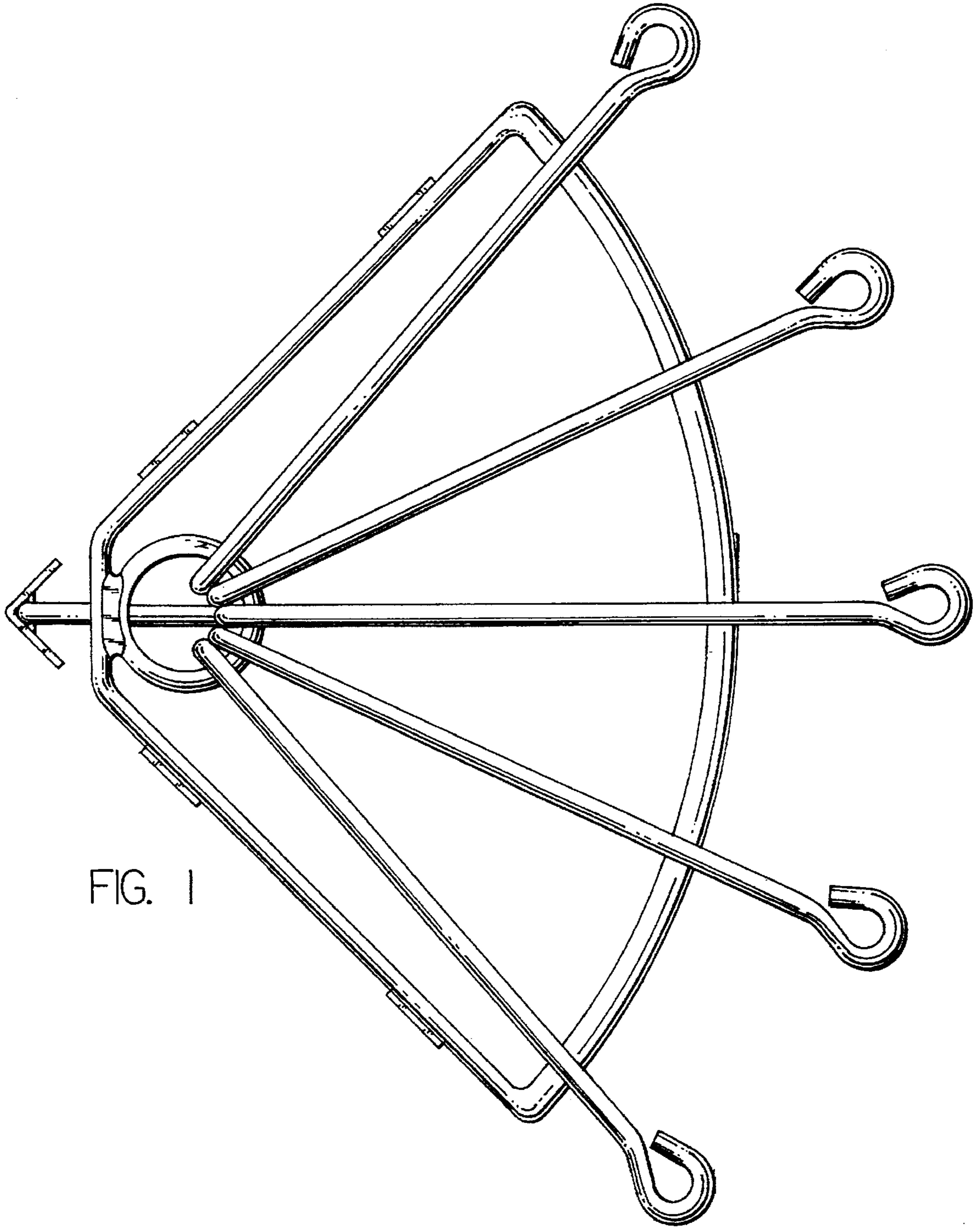
The ornamental design for a coat hanger, as shown.

**DESCRIPTION**

FIG. 1 is a top plan view of the design for a coat hanger; FIG. 2 is a bottom plan view of the design for a coat hanger; FIG. 3 is a front view of the design for a coat hanger; FIG. 4 is a rear view of the design for a coat hanger; FIG. 5 is a right hand side view of the design for a coat hanger; and, FIG. 6 is a left hand side view of the design for a coat hanger.

**1 Claim, 5 Drawing Sheets**





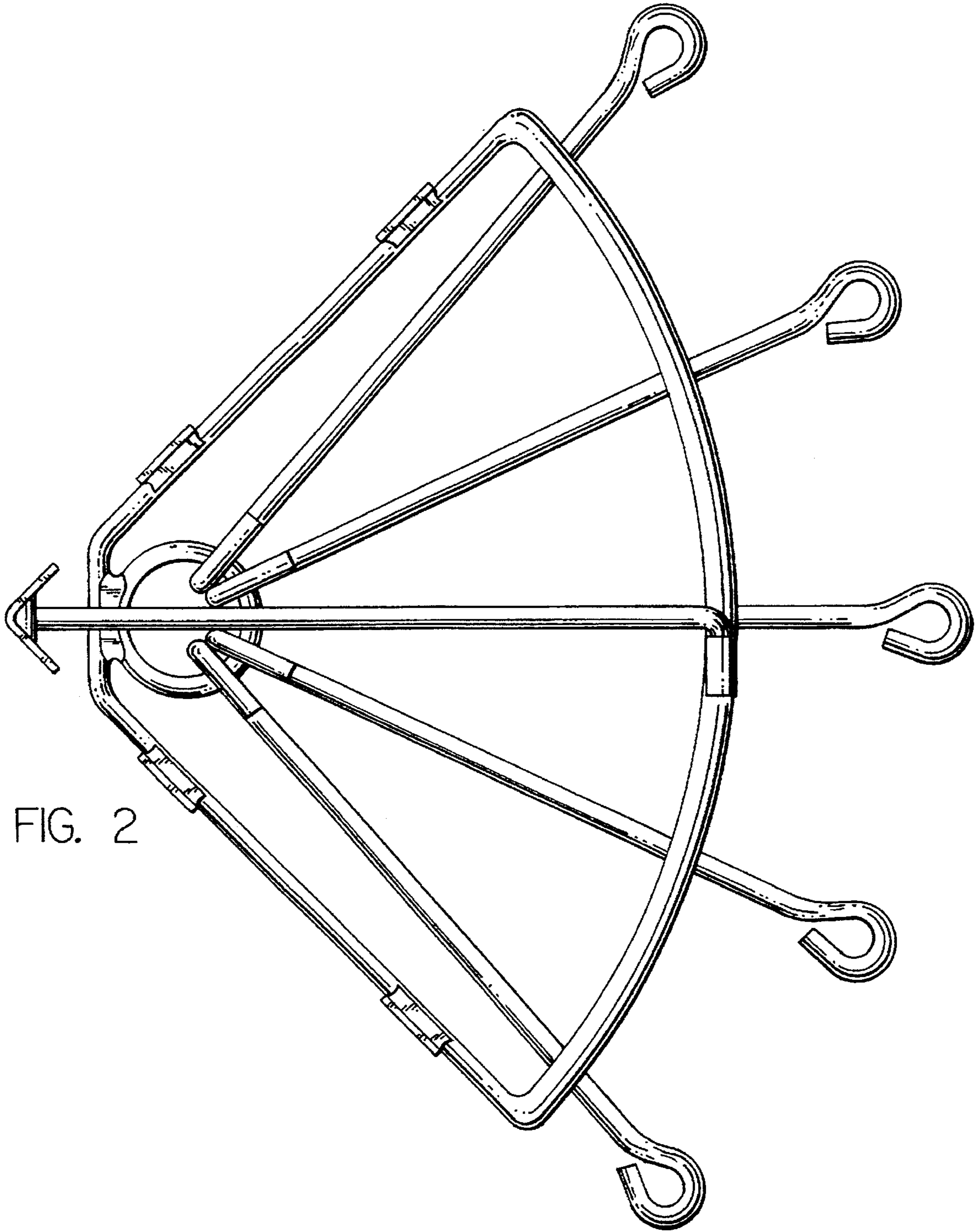
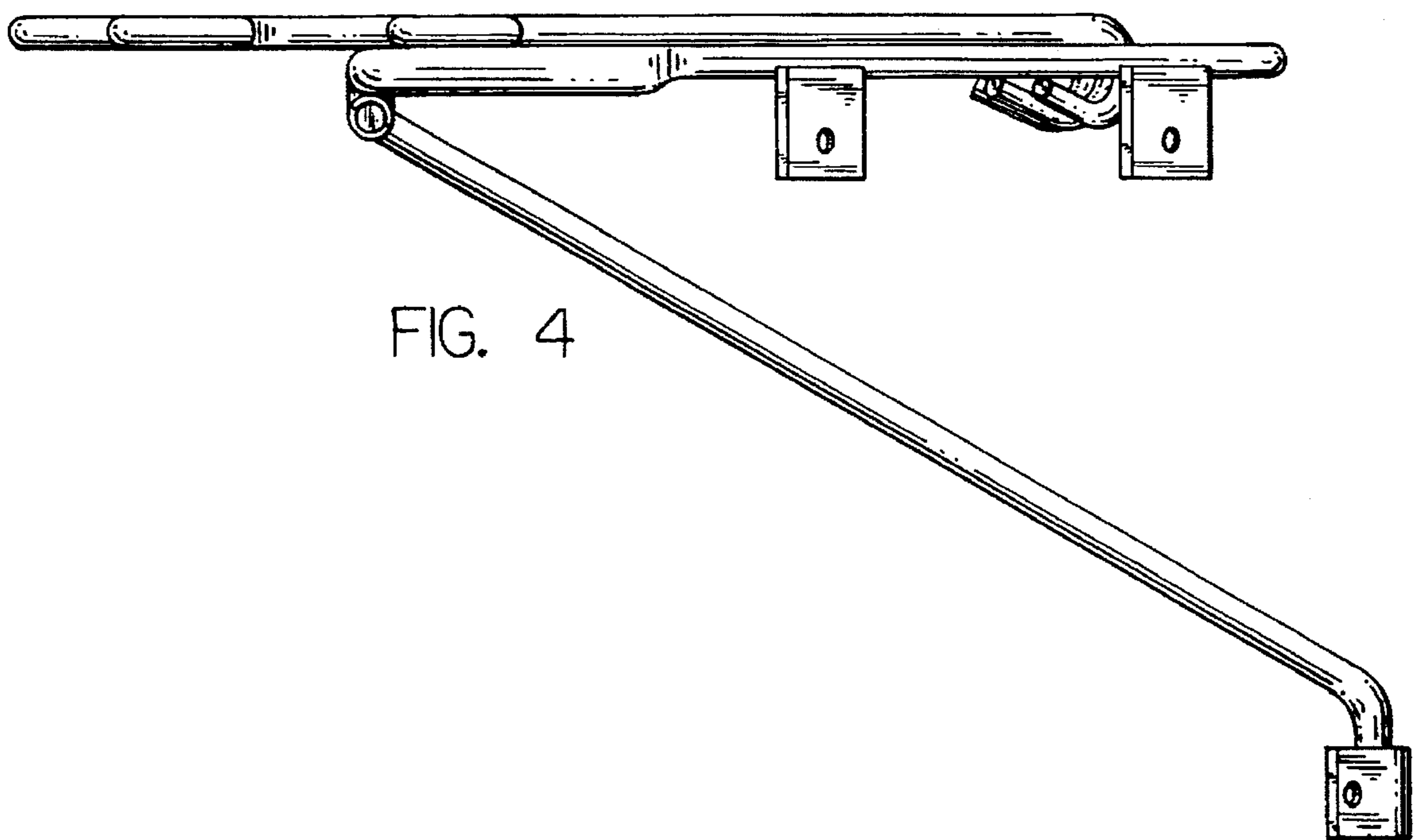
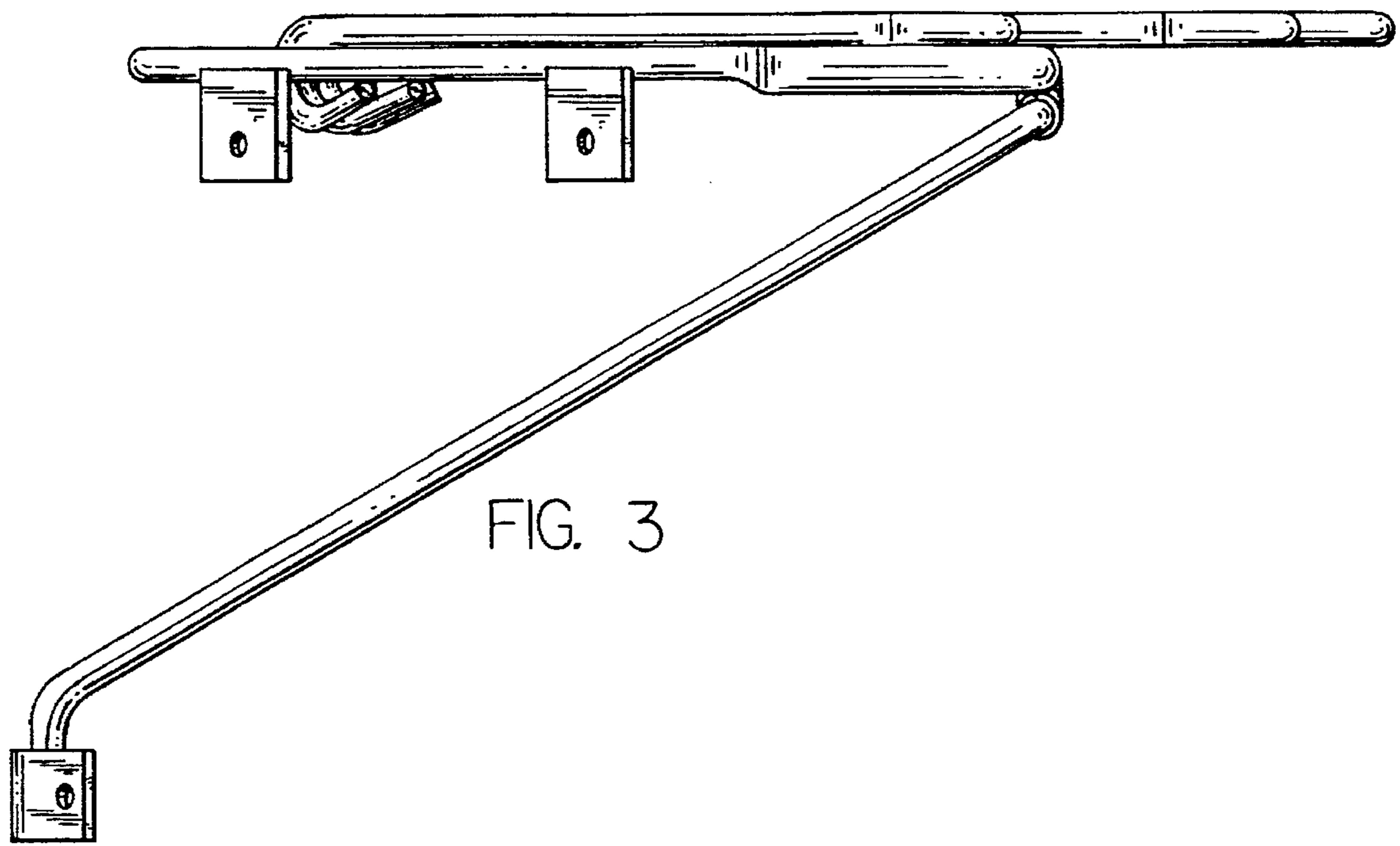


FIG. 2



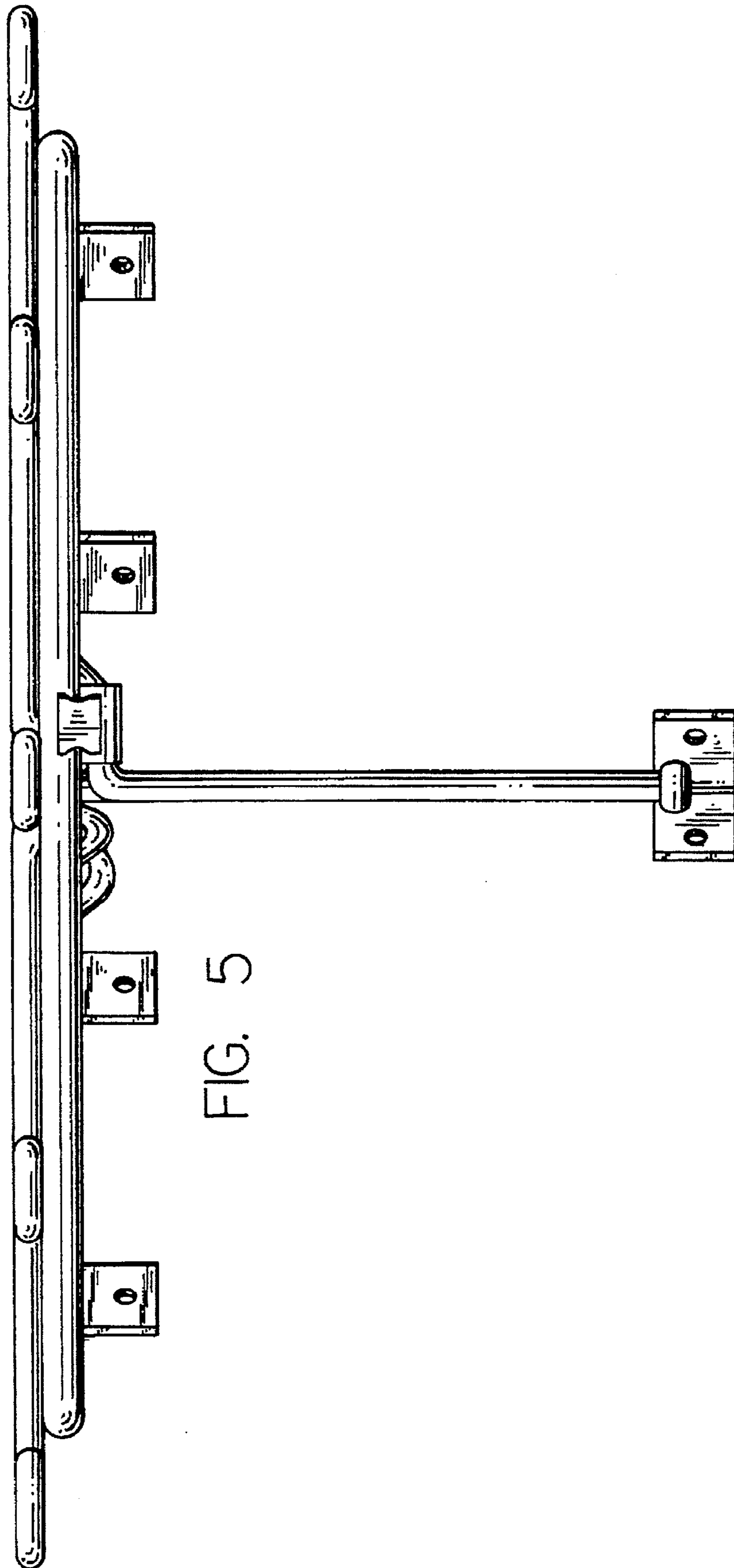


FIG. 5

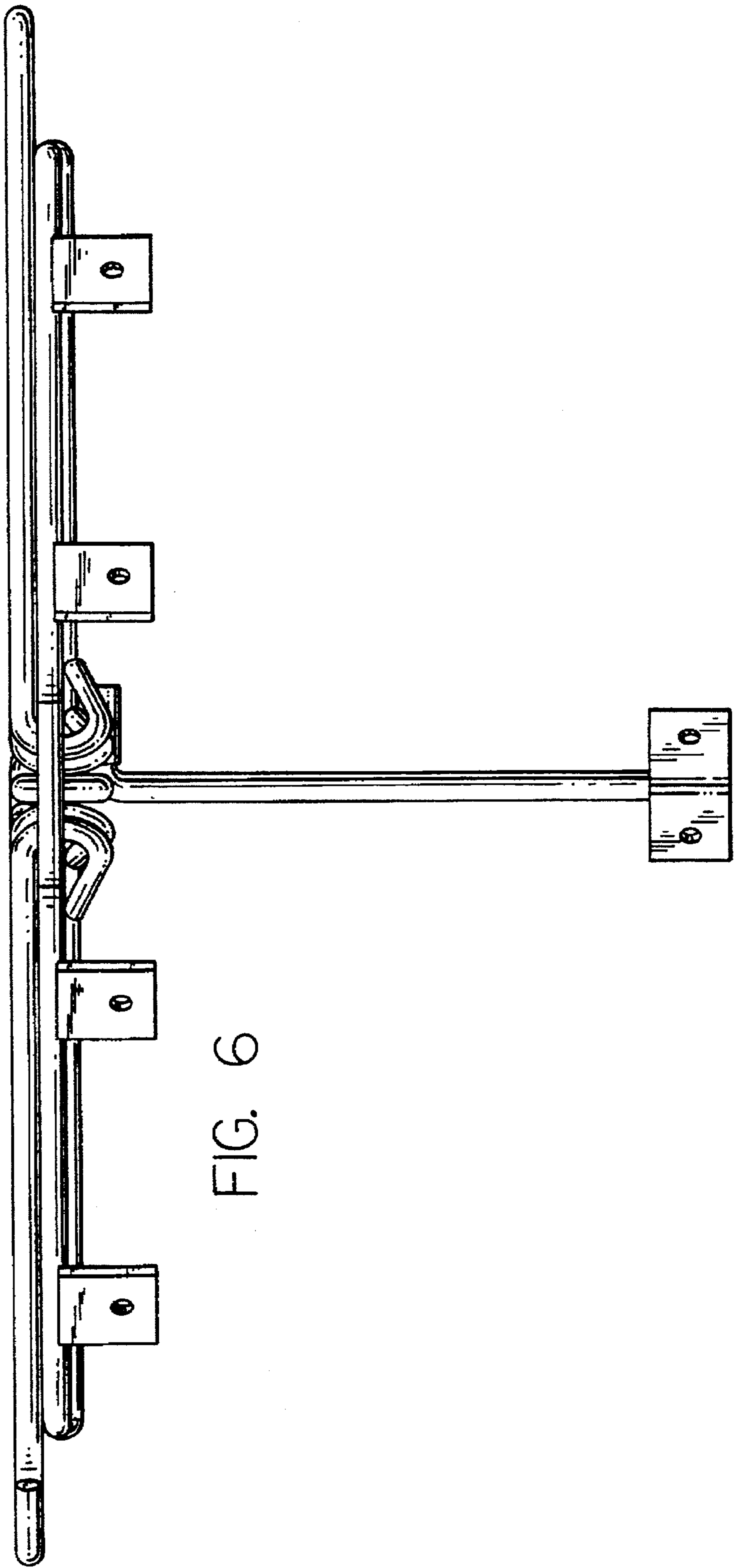


FIG. 6