

US00D381517S

United States Patent [19]

Sauro

[11] Patent Number: **Des. 381,517**

[45] Date of Patent: ****Jul. 29, 1997**

[54] **TOOTHBRUSH**

[76] Inventor: **Valentino Lo Sauro**, 4125 Cleveland Ave., #22, Ft. Myers, Fla. 33901

[**] Term: **14 Years**

[21] Appl. No.: **53,232**

[22] Filed: **Apr. 17, 1996**

[51] LOC (6) Cl. **04-02**

[52] U.S. Cl. **D4/112**

[58] Field of Search D4/104-112, 132-134, D4/136, 138; 15/143.1, 159.1, 167.1, 167.2, 186, 187; 132/308, 309

[56] **References Cited**

U.S. PATENT DOCUMENTS

D. 95,405	4/1935	Fuller	D4/104
D. 140,438	2/1945	Cohen	D4/104
D. 184,965	4/1959	Schotland	D4/104
D. 265,526	7/1982	Hyman	D4/112
D. 346,277	4/1994	Sherman et al.	D4/104
D. 351,732	10/1994	Dair et al.	D4/104

2,056,447	10/1936	Fell	15/167.1
4,351,080	9/1982	Grossman	15/167.1
4,729,142	3/1988	Yoshioka	15/167.1
4,800,608	1/1989	Key	15/167.1
5,228,466	7/1993	Klinkhammer	132/308

Primary Examiner—A. Hugo Word
Assistant Examiner—Lavone D. Tabor

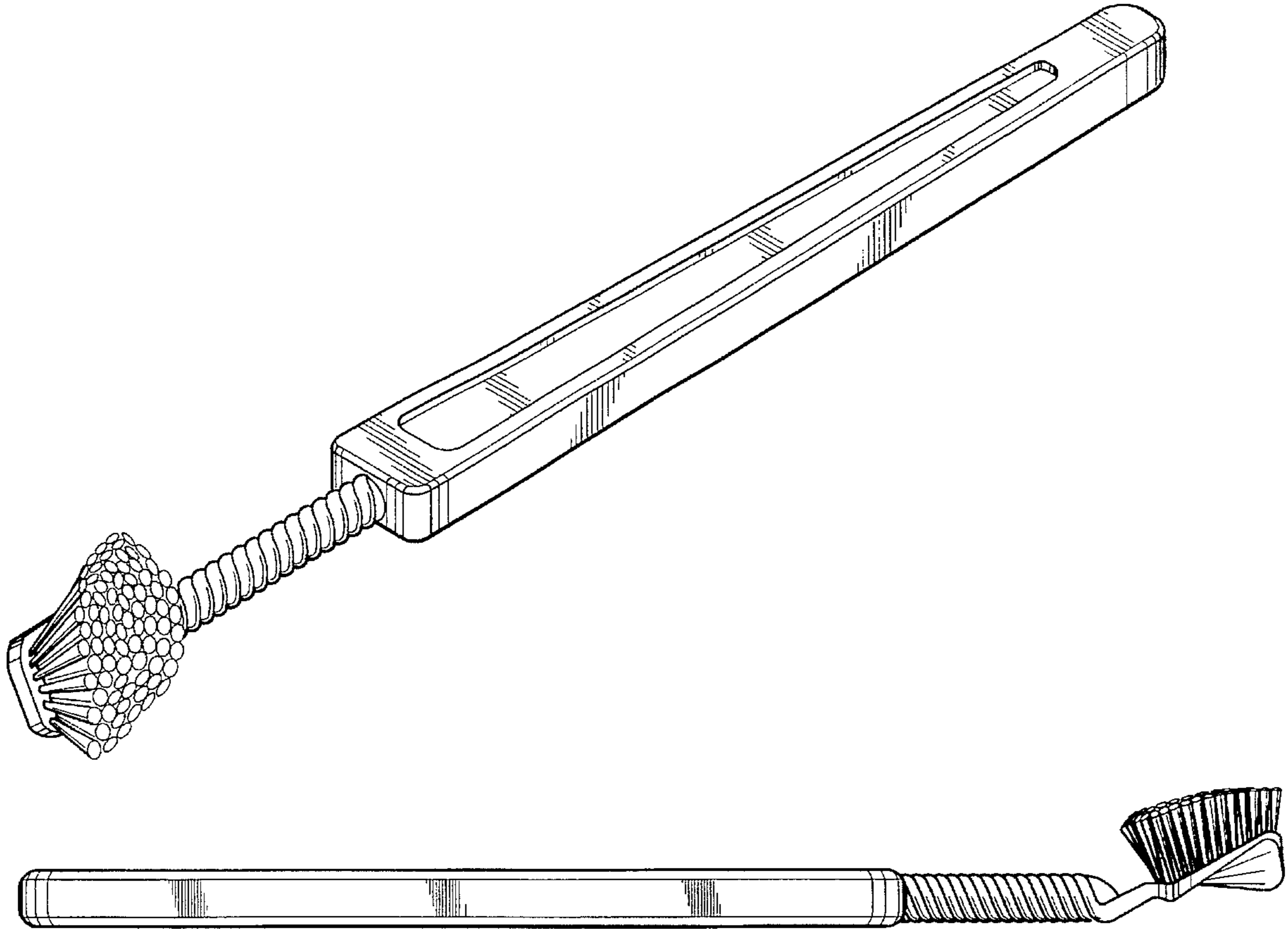
[57] **CLAIM**

The ornamental design for a toothbrush, as shown and described.

DESCRIPTION

FIG. 1 is a perspective view of a toothbrush showing my new design;
FIG. 2 is a left side elevational view thereof;
FIG. 3 is a right side elevational view thereof;
FIG. 4 is a front elevational view thereof;
FIG. 5 is a rear elevational view thereof;
FIG. 6 is a top plan view thereof; and,
FIG. 7 is a bottom plan view thereof.

1 Claim, 3 Drawing Sheets



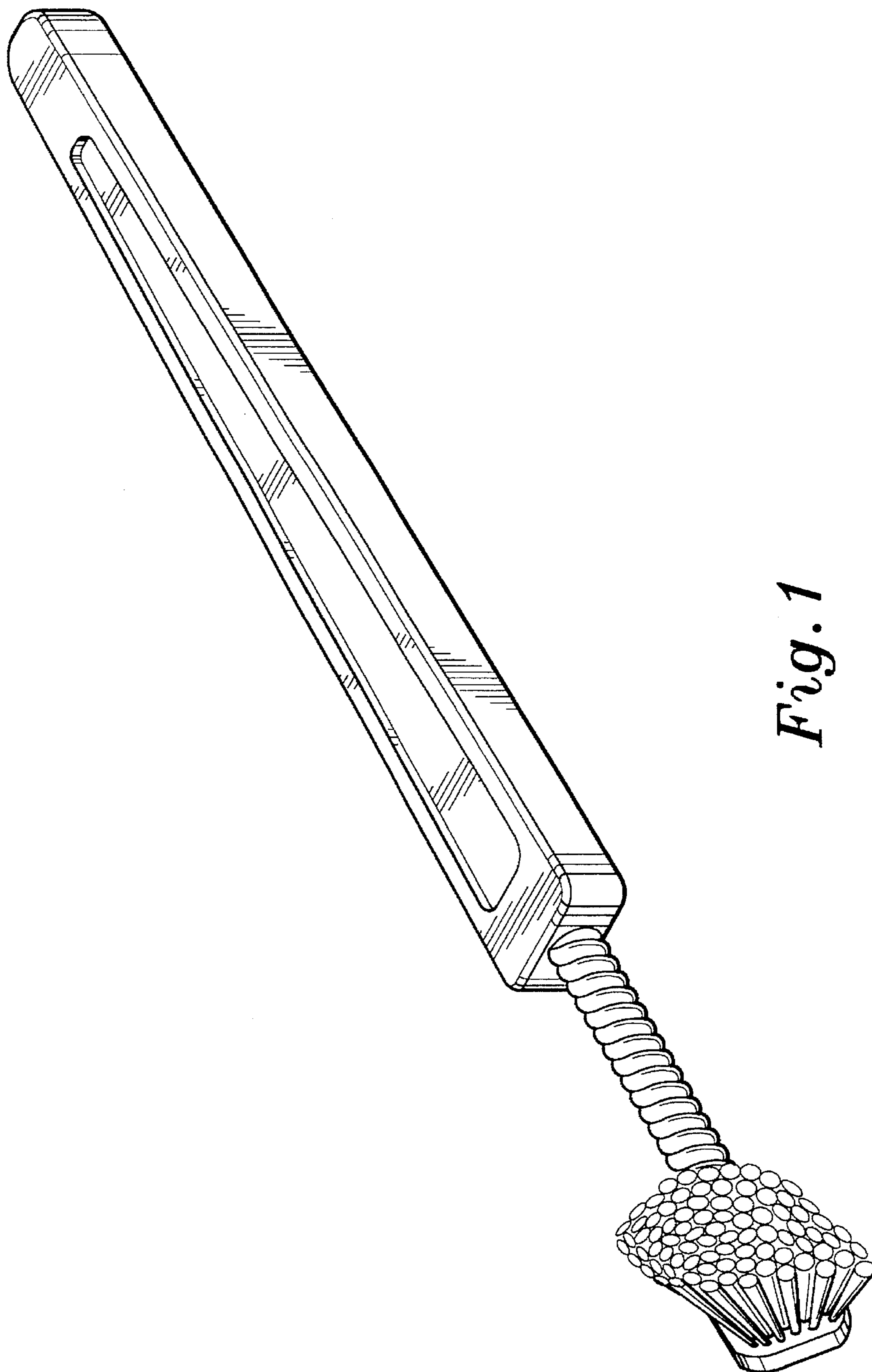


Fig. 1

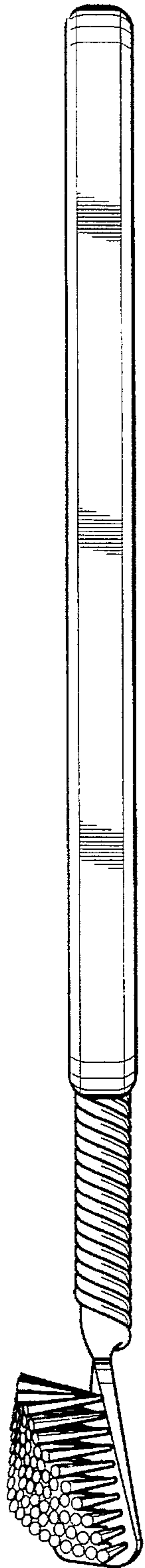


Fig. 2

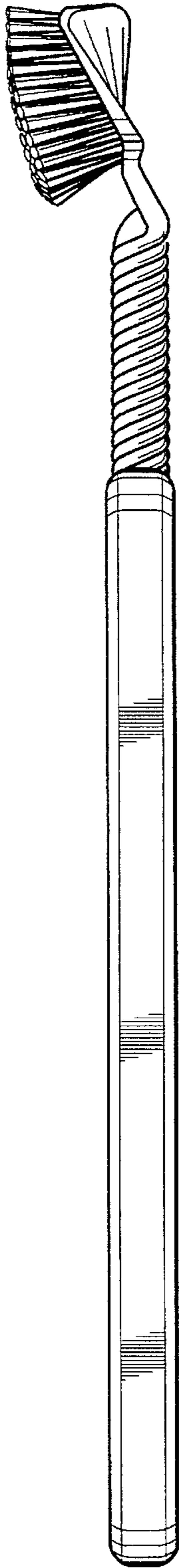


Fig. 3

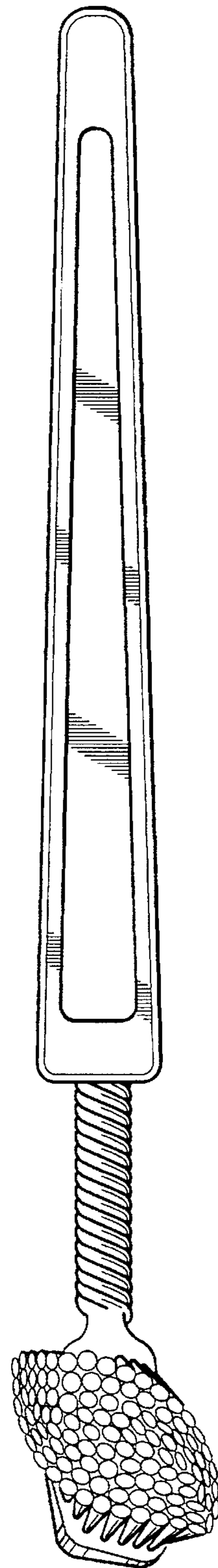


Fig. 4

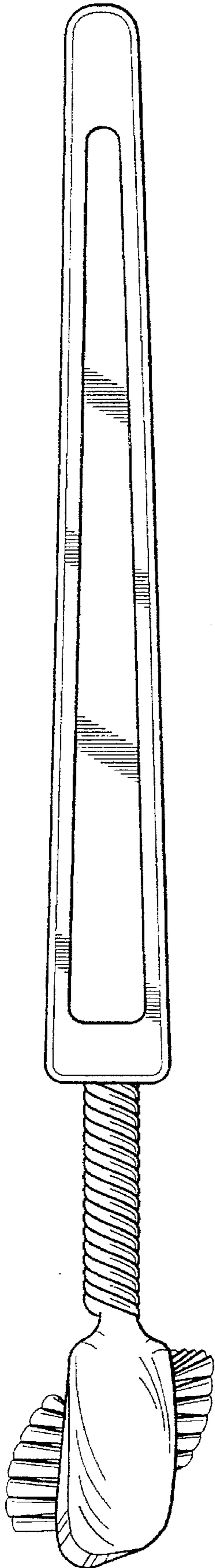


Fig. 5

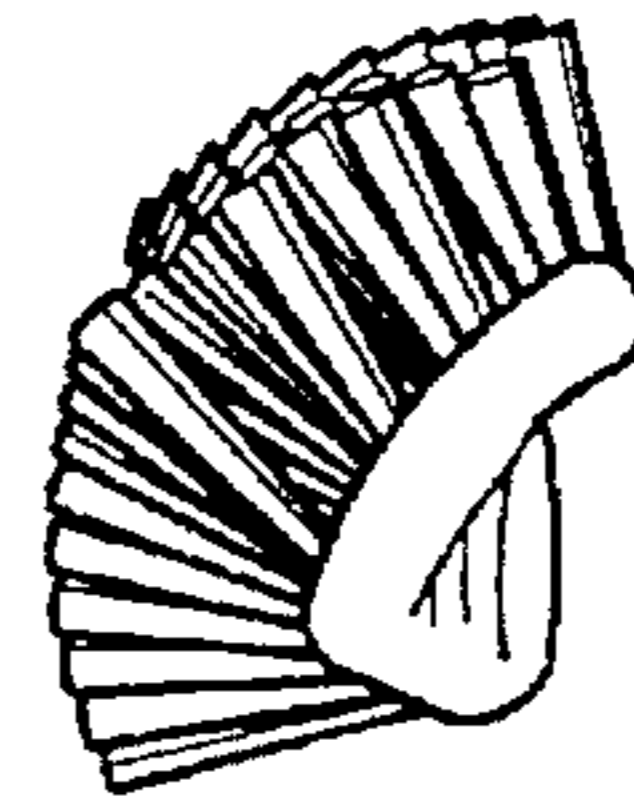


Fig. 6

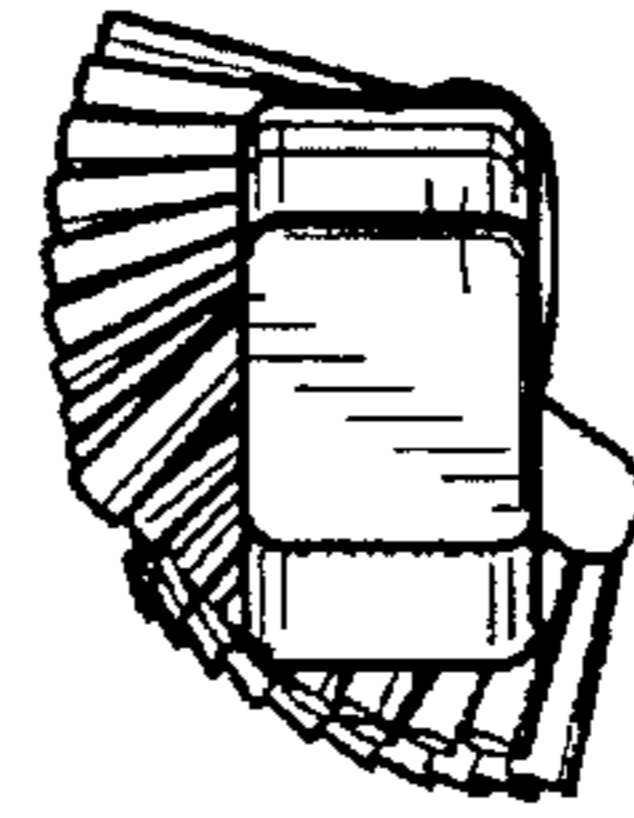


Fig. 7