



US00D381515S

United States Patent [19]

Haynes

[11] Patent Number: **Des. 381,515**

[45] Date of Patent: ****Jul. 29, 1997**

[54] **TRAY**

[75] Inventor: **James T. Haynes**, Mesa, Ariz.

[73] Assignee: **American Custom Wood Designs**,
Mesa, Ariz.

[**] Term: **14 Years**

[21] Appl. No.: **45,024**

[22] Filed: **Oct. 5, 1995**

[51] **LOC (6) Cl.** **03-01**

[52] **U.S. Cl.** **D3/313; D24/224; D24/227;**
D24/230; D28/73; D7/553; D9/347

[58] **Field of Search** **D3/304, 313, 314;**
D7/551, 550, 553, 554, 555, 701, 708;
D9/341, 347, 455; D24/230, 227, 229;
D28/73, 61; 206/562-565, 486; D6/469,
524, 527, 531, 535, 553, 567, 574; D19/75;
211/71, 74; 248/346, 346.1

[56] **References Cited**

U.S. PATENT DOCUMENTS

D. 55,496	6/1920	White	D7/590
D. 162,766	4/1951	Wray	D28/73 X
D. 191,891	12/1961	San Antonio	D19/79
D. 247,533	3/1978	Noyes	D7/701 X

D. 264,168	5/1982	Teuber et al.	D7/701
D. 359,127	6/1995	Biesecker	D24/227
2,061,139	11/1936	Cohen	132/314 X
3,478,457	11/1969	Watkins	211/75 X
5,306,469	4/1994	Iles	206/563 X

FOREIGN PATENT DOCUMENTS

1126699	6/1982	Canada	220/507
809342	7/1951	Germany	206/486
2905664	8/1980	Germany	D6/534 X
2018085	10/1992	WIPO	206/438

Primary Examiner—Catherine Tuttle

Attorney, Agent, or Firm—Cahill, Sutton & Thomas P.L.C.

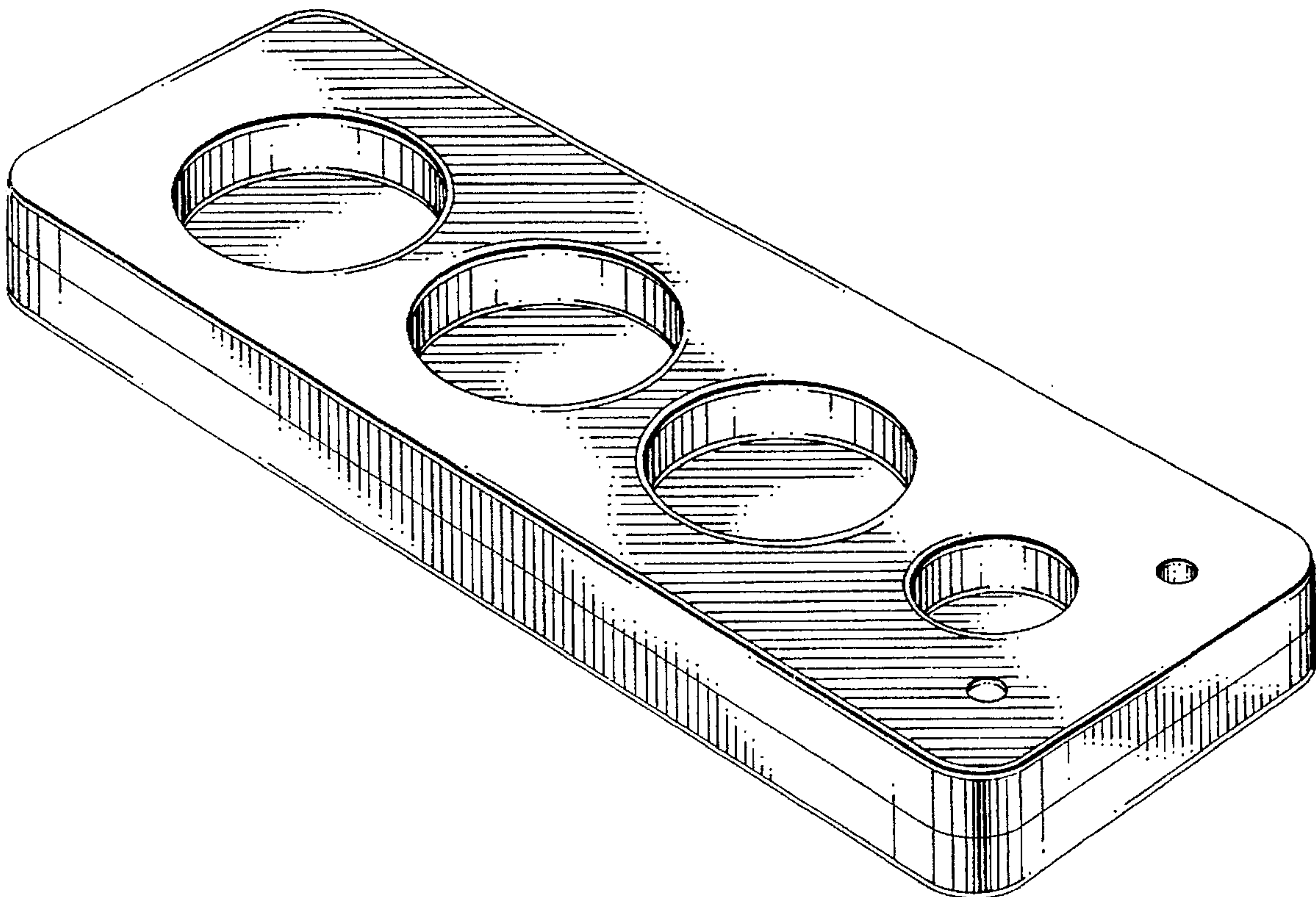
[57] CLAIM

The ornamental design for a tray, as shown and described.

DESCRIPTION

FIG. 1 is a top right front perspective view of a tray showing my new design;
 FIG. 2 is a top view thereof;
 FIG. 3 is a bottom view thereof;
 FIG. 4 is a front elevational view thereof the opposite side being identical thereto; and,
 FIG. 5 is a right end elevational view thereof the opposite side being identical thereto.

1 Claim, 1 Drawing Sheet



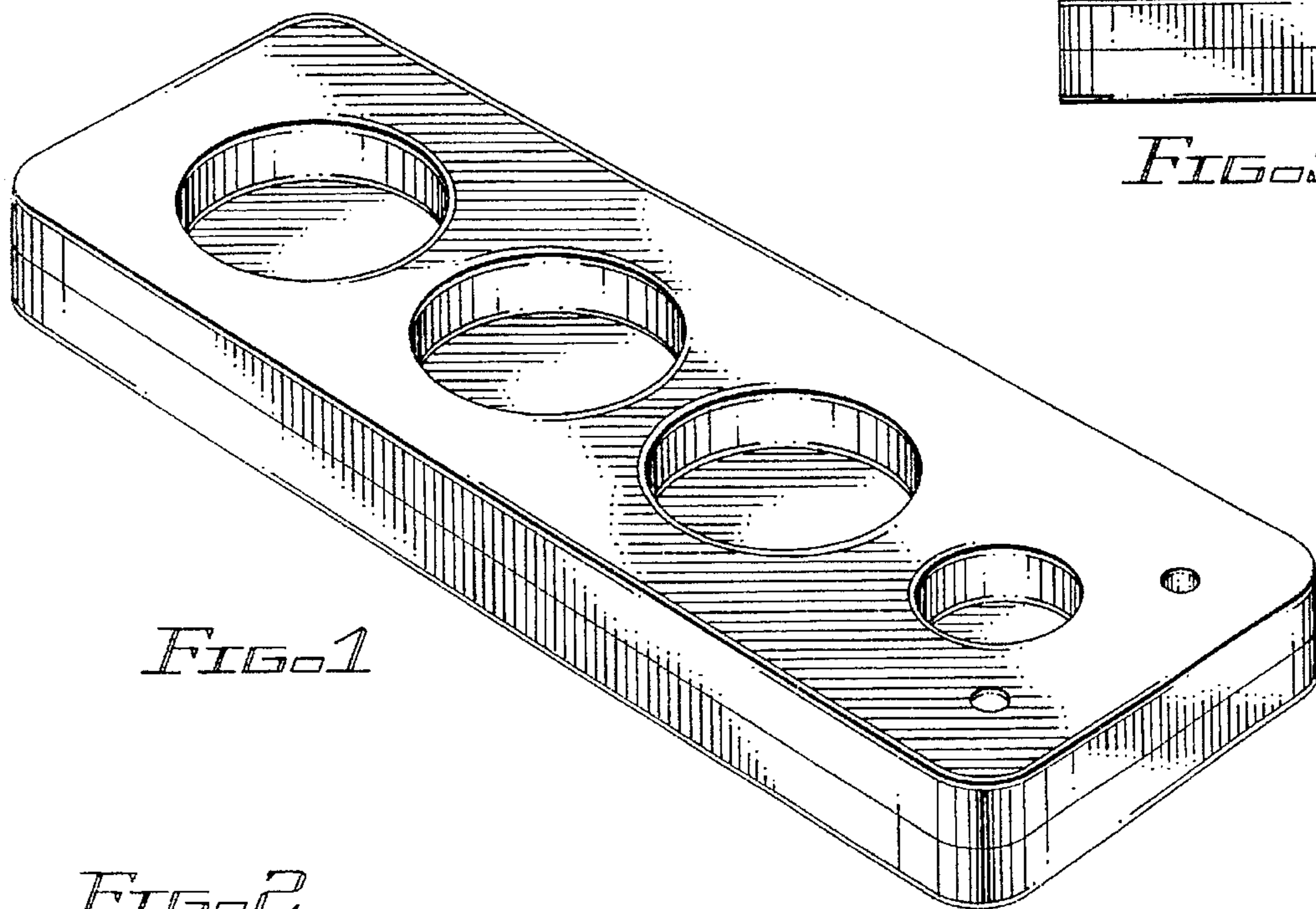


FIG. 2

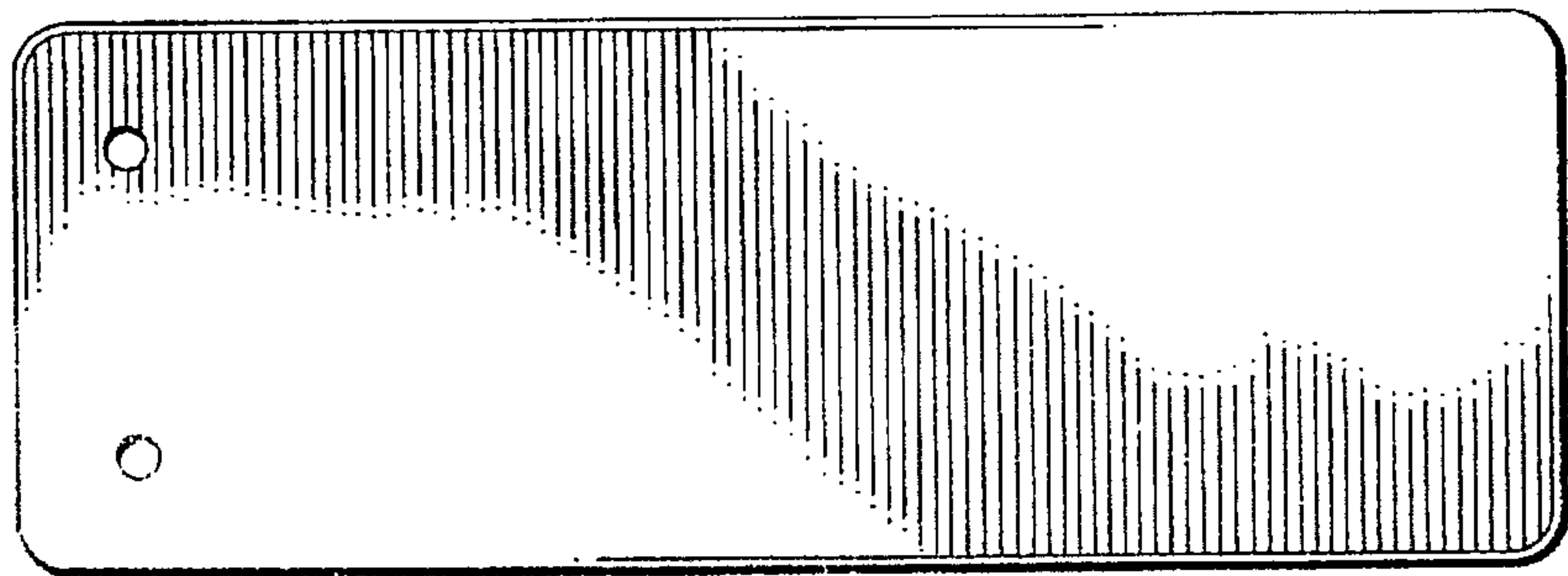
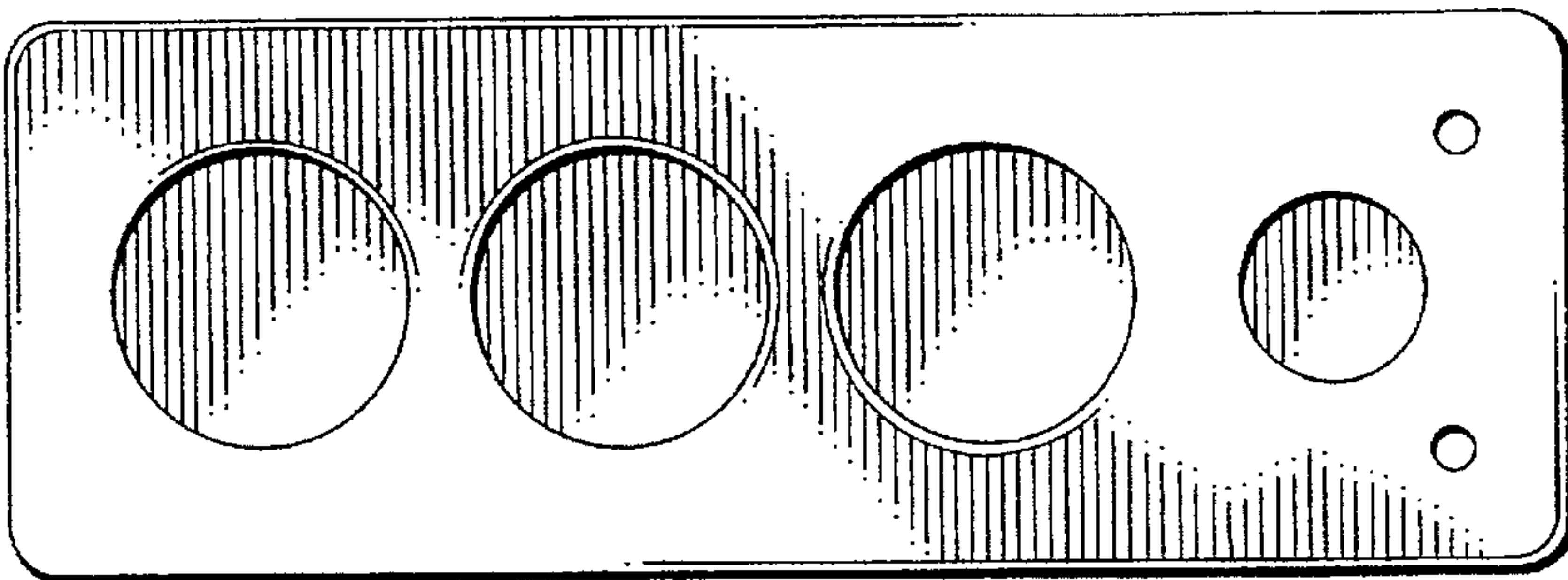


FIG. 3



FIG. 4