



US00D381512S

United States Patent [19]
Green

[11] **Patent Number: Des. 381,512**
[45] **Date of Patent: **Jul. 29, 1997**

[54] **STORAGE CONTAINER**

[75] Inventor: **Patrick M. Green**, Maryville, Tenn.

[73] Assignee: **Rubbermaid Office Products Inc.**,
Maryville, Tenn.

[**] Term: **14 Years**

[21] Appl. No.: **47,472**

[22] Filed: **Dec. 5, 1995**

[51] **LOC (6) Cl.** **03-01**

[52] **U.S. Cl.** **D3/294; D3/273; D9/424**

[58] **Field of Search** **D9/424, 425, 423;**
D3/294, 272, 273; 206/508, 511, 503, 518;
220/241, 242, 380, 675, 376, 334, 335,
337, 350, 354, 355, 356

[56] **References Cited**

U.S. PATENT DOCUMENTS

D. 168,205	11/1952	Baustian et al. .	
D. 183,777	10/1958	Weiss .	
D. 238,051	12/1975	Fier, Jr.	D9/240
D. 238,148	12/1975	Dilot	D9/219
D. 246,828	1/1978	White	D9/267
D. 246,872	1/1978	White .	
D. 280,216	8/1985	Boklund	D19/52
D. 286,937	11/1986	Schafer	D34/43
D. 302,774	8/1989	Murphy	D7/76
D. 308,340	6/1990	Ilsen	D9/425
D. 311,334	10/1990	Flynn et al.	D9/424

(List continued on next page.)

OTHER PUBLICATIONS

Label, Storage container; Dial Industries, Inc., Los Angeles, California 90023. Published at least as early as 1994.

Label, Storage container; Contico, A Division of Contico International, 1101 Warson Road, St. Louis, Missouri 63132. Published at least as early as May, 1993.

Catalog page, Stuff'n store boxes; Frem Corporation, 60 Webster Place, Box 4, Worcester, Massachusetts 01603. Published at least as early as 1993.

Catalog page, Tote bins; Sterilite Corporation, P.O. Box 524, Main Street, Townsend, Massachusetts. Publication date 1990.

Sell sheet, Box; Sterilite Corporation, P.O. Box 524, Main Street, Townsend, Massachusetts. Publication date 1991.

Sell sheet, Omni Box, Sterilite Corporation, P.O. Box 524, Main Street, Townsend, Massachusetts. Publication date Jan. 17, 1990.

Sell sheet, Tote containers; Tucker Housewares, 25 Tucker Drive, Leominster, Massachusetts 01453. Publication date 1991.

Label; Box; Tamor Plastics Corp., Leominster, Massachusetts. Published at least as early as 1992.

Sell sheet, Storage box; Jokari/US, Inc., 4715 McEwen Road, Dallas, Texas 75244. Publication date 1986.

Label, Storage container; Transco Housewares, A Division of Laich Industries, Cleveland, Ohio. Published at least as early as 1992.

P. 2, Food boxes and lids; Rubbermaid Commercial Products Inc., 3124 Valley Avenue, Winchester, Virginia 22601.

P. 7, Clear storage containers; Rubbermaid Incorporated, 1147 Akron Road. Wooster, Ohio 44691. Publication date 1988.

Catalog page, Storage containers; Rubbermaid Incorporated, 1147 Akron Road., Wooster, Ohio 44691. Publication date 1994.

Primary Examiner—Philip S. Hyder

Attorney, Agent, or Firm—Richard B. O'Planick; Lisa B. Riedesel

[57] **CLAIM**

The ornamental design for a storage container, as shown and described.

DESCRIPTION

FIG. 1 is a top right front perspective view of a storage container showing my new design;

FIG. 2 is a front elevational view thereof;

FIG. 3 is a top plan view thereof;

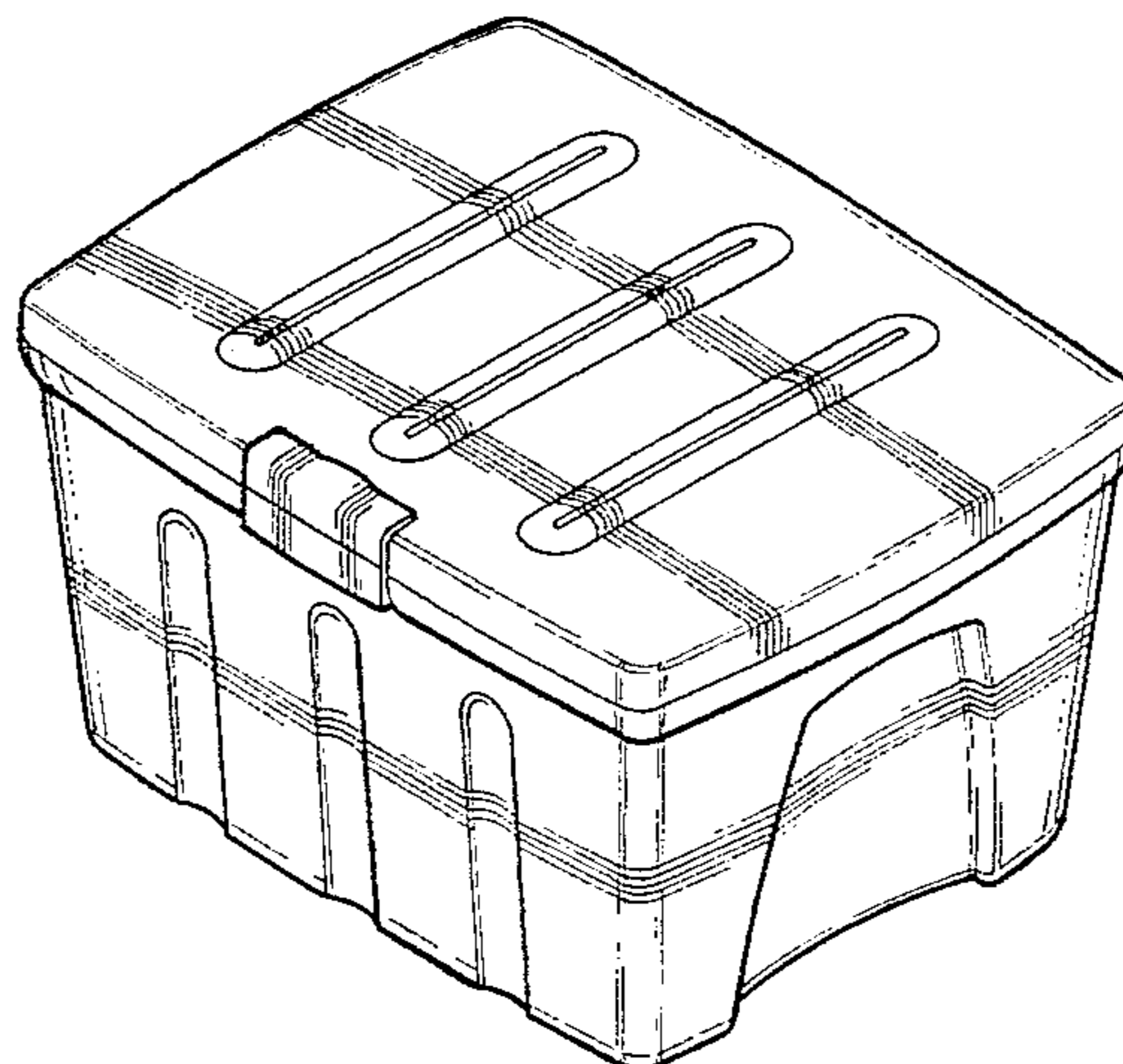
FIG. 4 is a rear elevational view thereof;

FIG. 5 is a right side elevational view thereof;

FIG. 6 is a left side elevational view thereof; and,

FIG. 7 is a bottom plan view thereof.

1 Claim, 4 Drawing Sheets



U.S. PATENT DOCUMENTS

D. 316,674	5/1991	Poirier	D9/424	D. 358,328	5/1995	Huerto et al.	D9/435
D. 319,016	8/1991	Kahl	D9/424	D. 358,765	5/1995	Dickinson et al.	D9/425
D. 321,091	10/1991	Dickinson	D3/78	D. 361,511	8/1995	Dickinson et al.	D9/425
D. 326,345	5/1992	Mandell et al.	D34/40	D. 362,117	9/1995	Koenig et al.	D3/326
D. 328,425	8/1992	Brightbill	D9/425	D. 363,604	10/1995	Koenig et al.	D3/312
D. 329,331	9/1992	Hobson	D3/78	D. 363,663	10/1995	Plater	D9/425
D. 329,747	9/1992	Embree	D3/78	D. 363,669	10/1995	Pennoyer, Jr.	D3/292
D. 330,329	10/1992	Brightbill	D9/424	3,351,227	11/1967	Collie	220/60
D. 334,662	4/1993	Van Berne	D3/70	3,419,184	12/1968	Asenbauer	220/97
D. 339,471	9/1993	Maple et al.	D3/78	3,642,168	2/1972	Wiley, Jr. et al.	220/97 D
D. 342,364	12/1993	Hobson	D34/46	3,656,650	4/1972	Frater	220/22.3
D. 342,609	12/1993	Brightbill	D3/78	3,741,433	6/1973	Bentley et al.	220/55.7
D. 347,324	5/1994	Dickinson	D3/272	3,987,829	10/1976	Leone	150/5
D. 348,394	7/1994	Dreyer	D9/425	4,499,998	2/1985	Carlson	206/541
D. 349,646	8/1994	Dickinson	D9/423	4,523,692	6/1985	Lemkin	220/306
D. 351,284	10/1994	Kruger	D3/314	4,593,816	6/1986	Langenbeck	206/425
D. 355,118	2/1995	Dickinson et al.	D9/425	4,685,567	8/1987	Webb	206/508
D. 355,765	2/1995	Miller	D3/318	4,982,863	1/1991	Skillius	220/318
D. 355,766	2/1995	Miller	D3/319	5,011,013	4/1991	Meisner et al.	206/373
D. 357,120	4/1995	Miller	D3/312	5,353,946	10/1994	Behrend	220/355
				5,366,104	11/1994	Armstrong	220/339

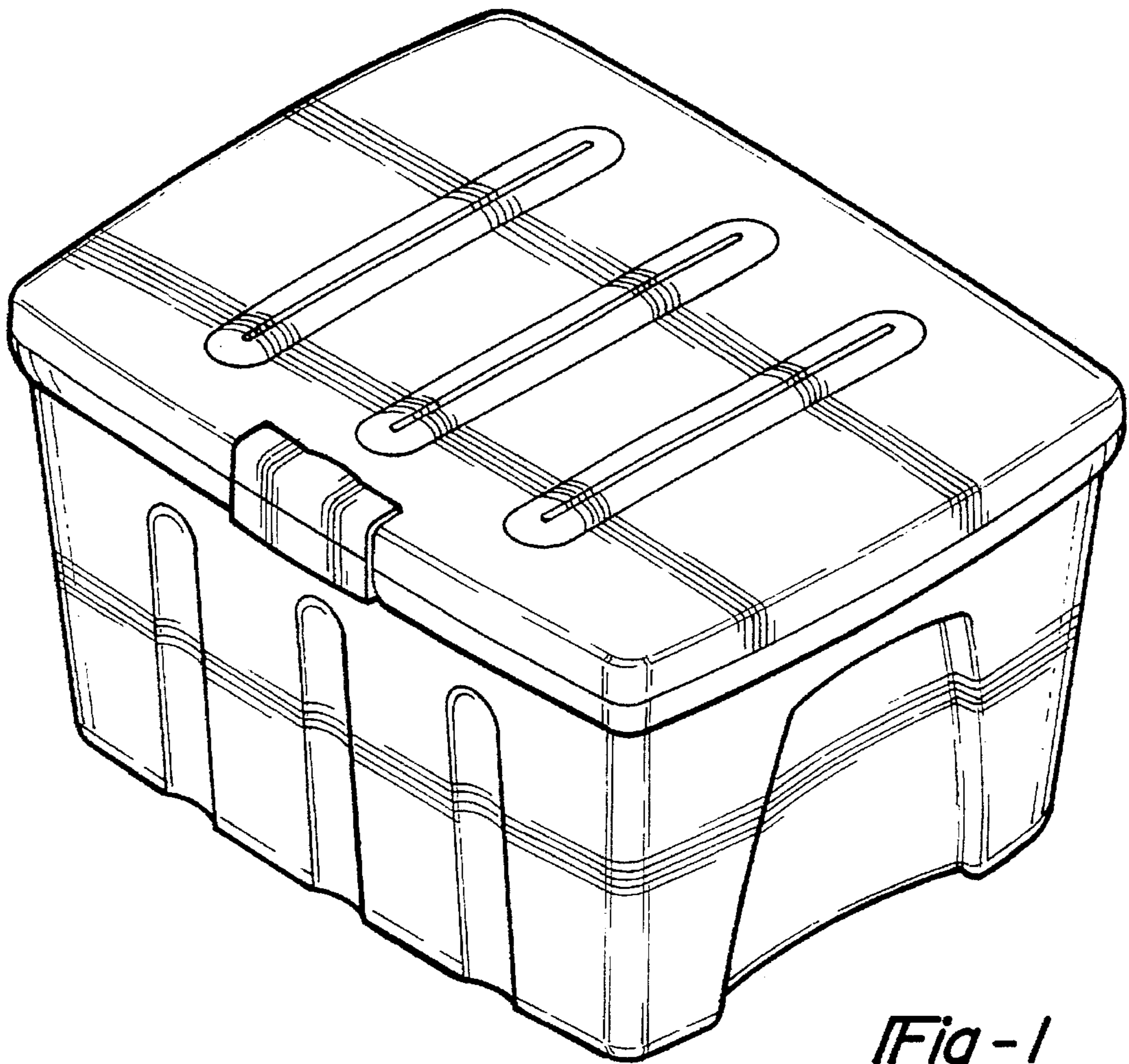


Fig - 1

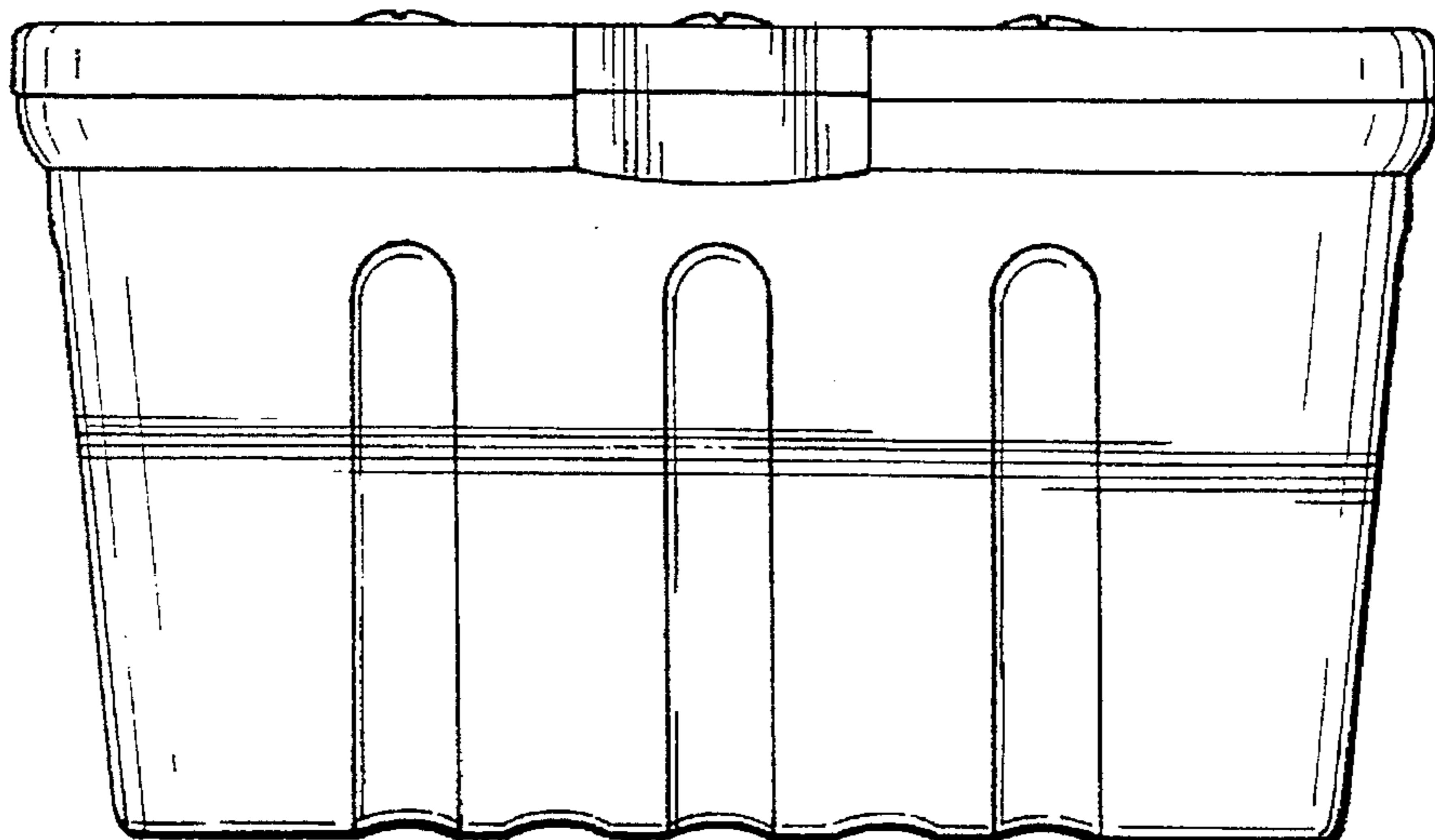


Fig - 2

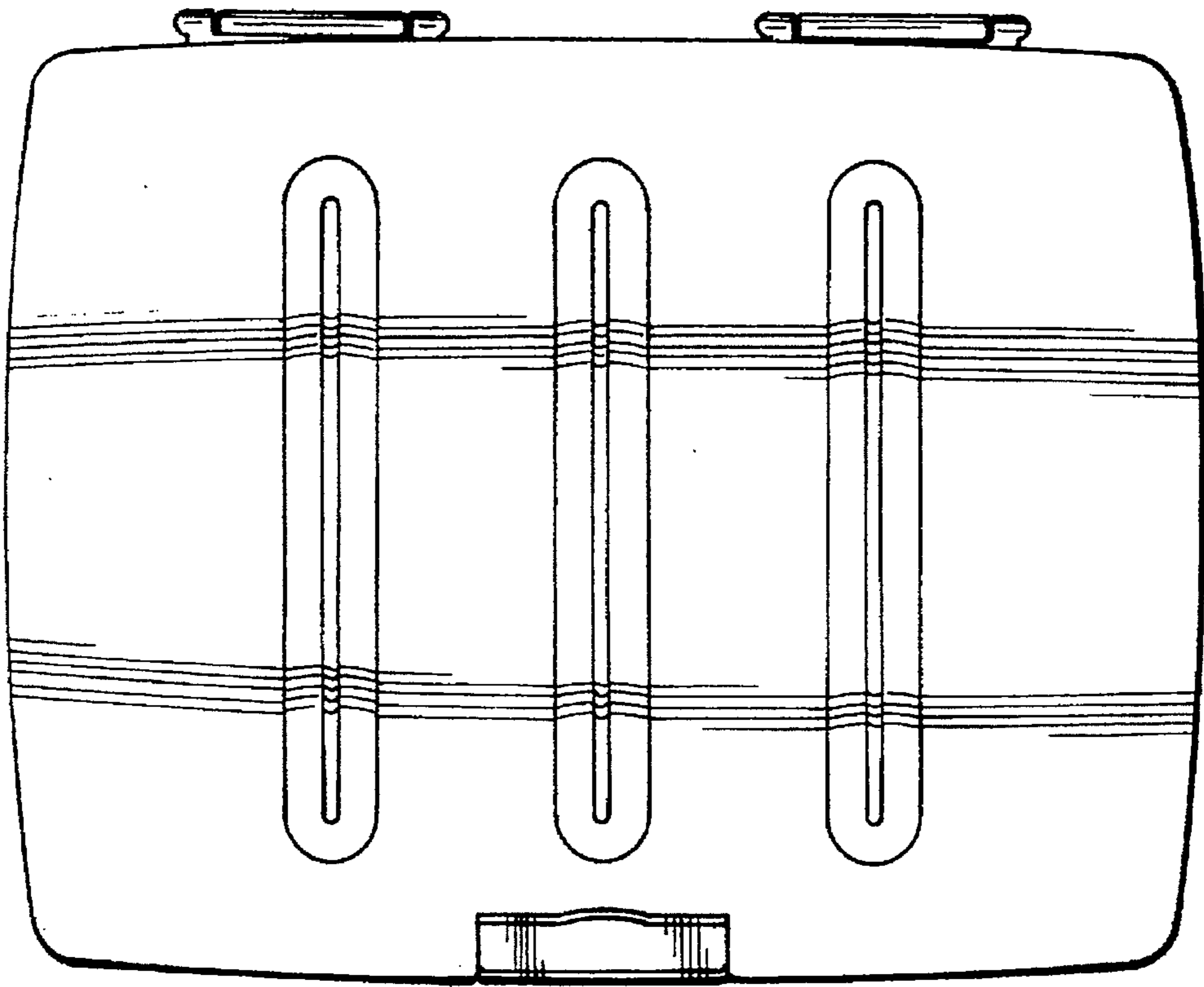


Fig - 3

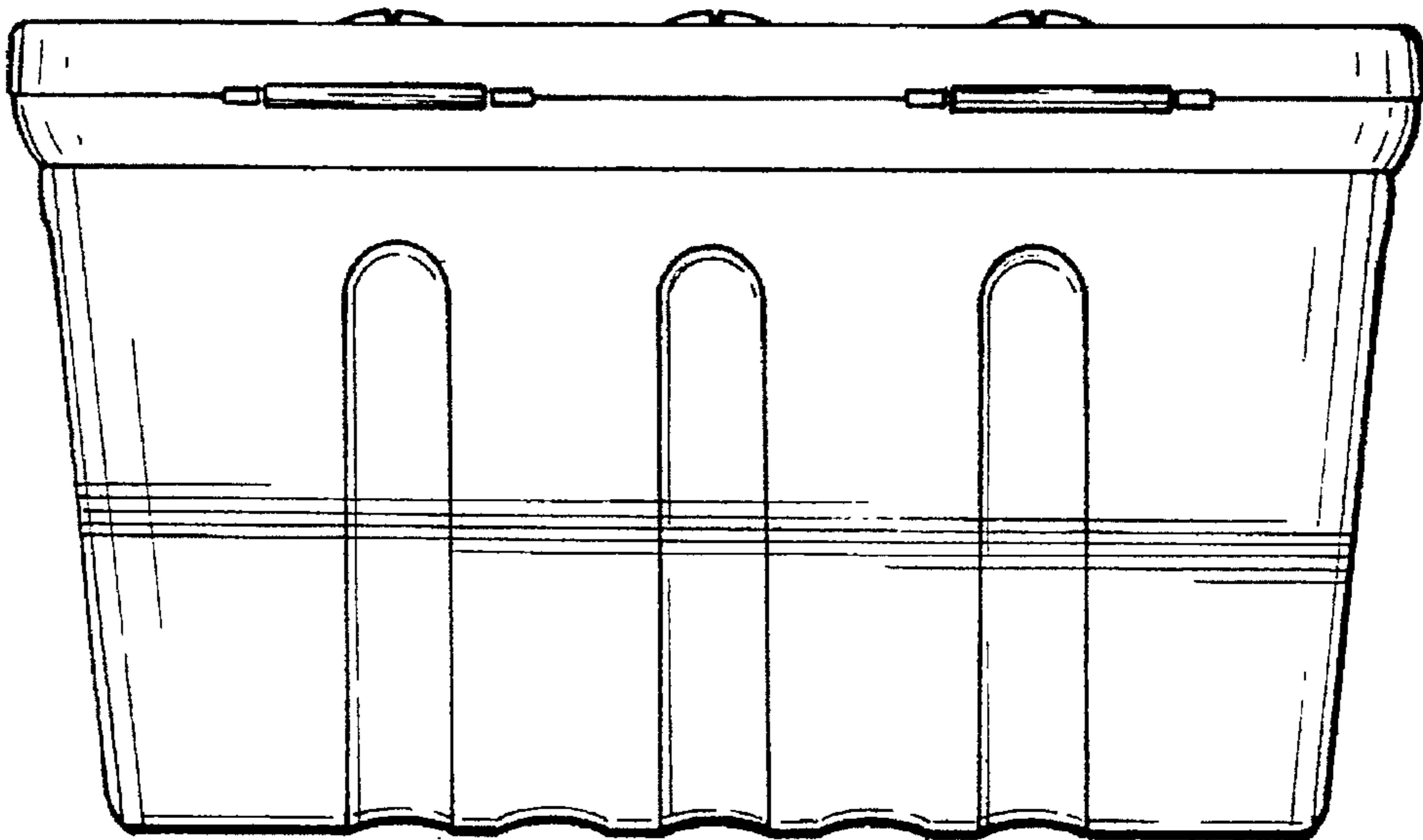


Fig - 4

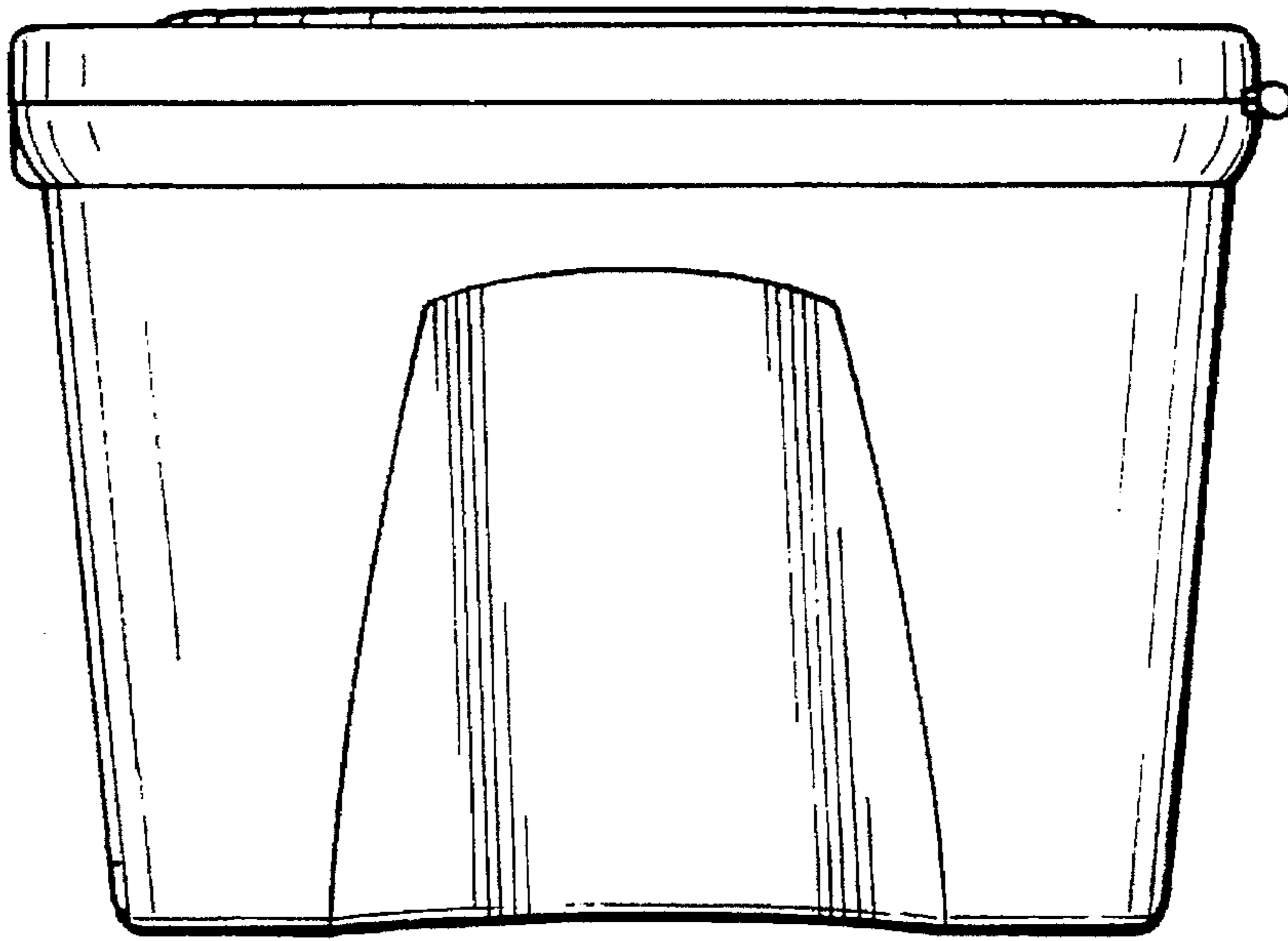


Fig - 5

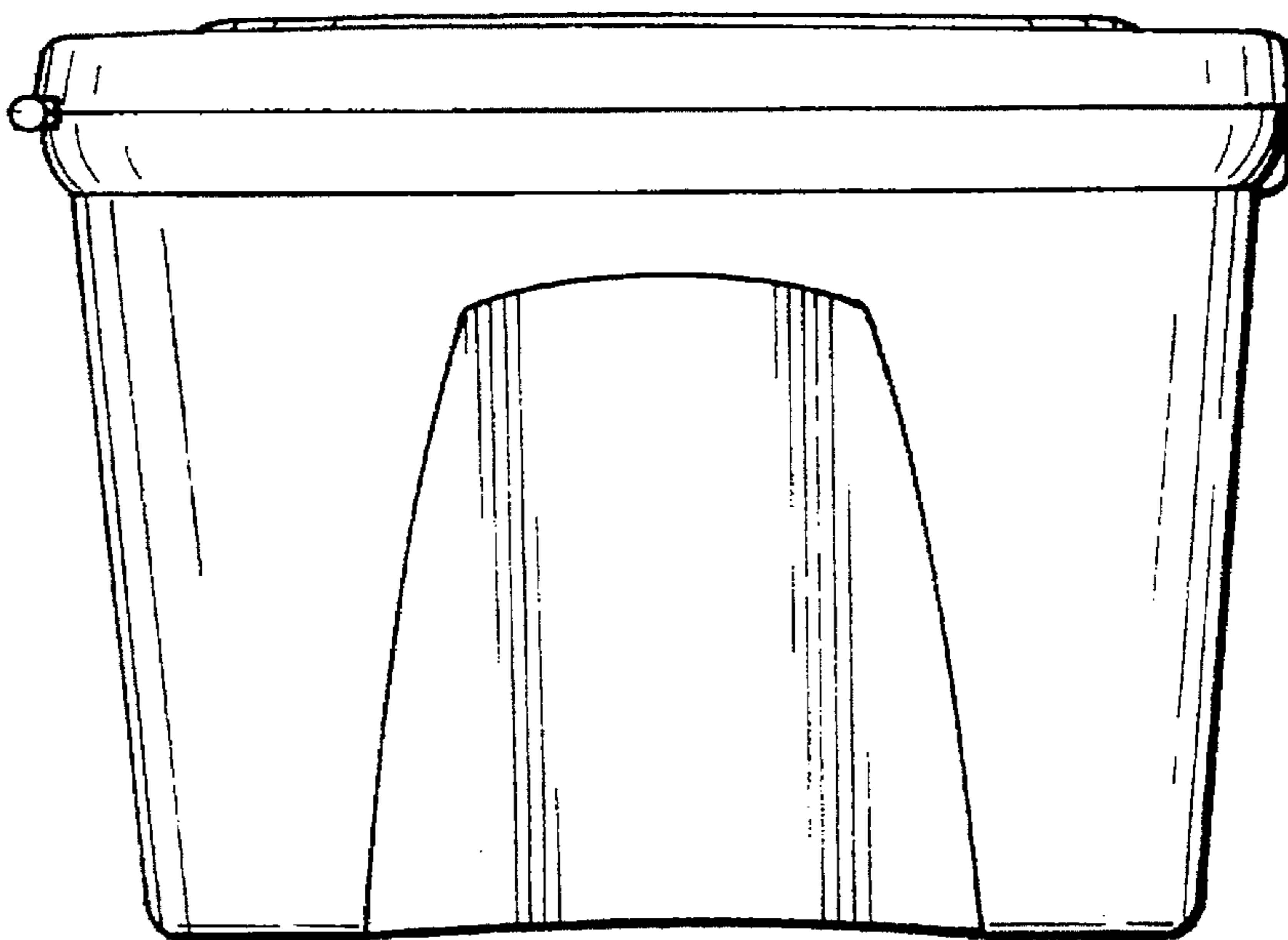


Fig - 6

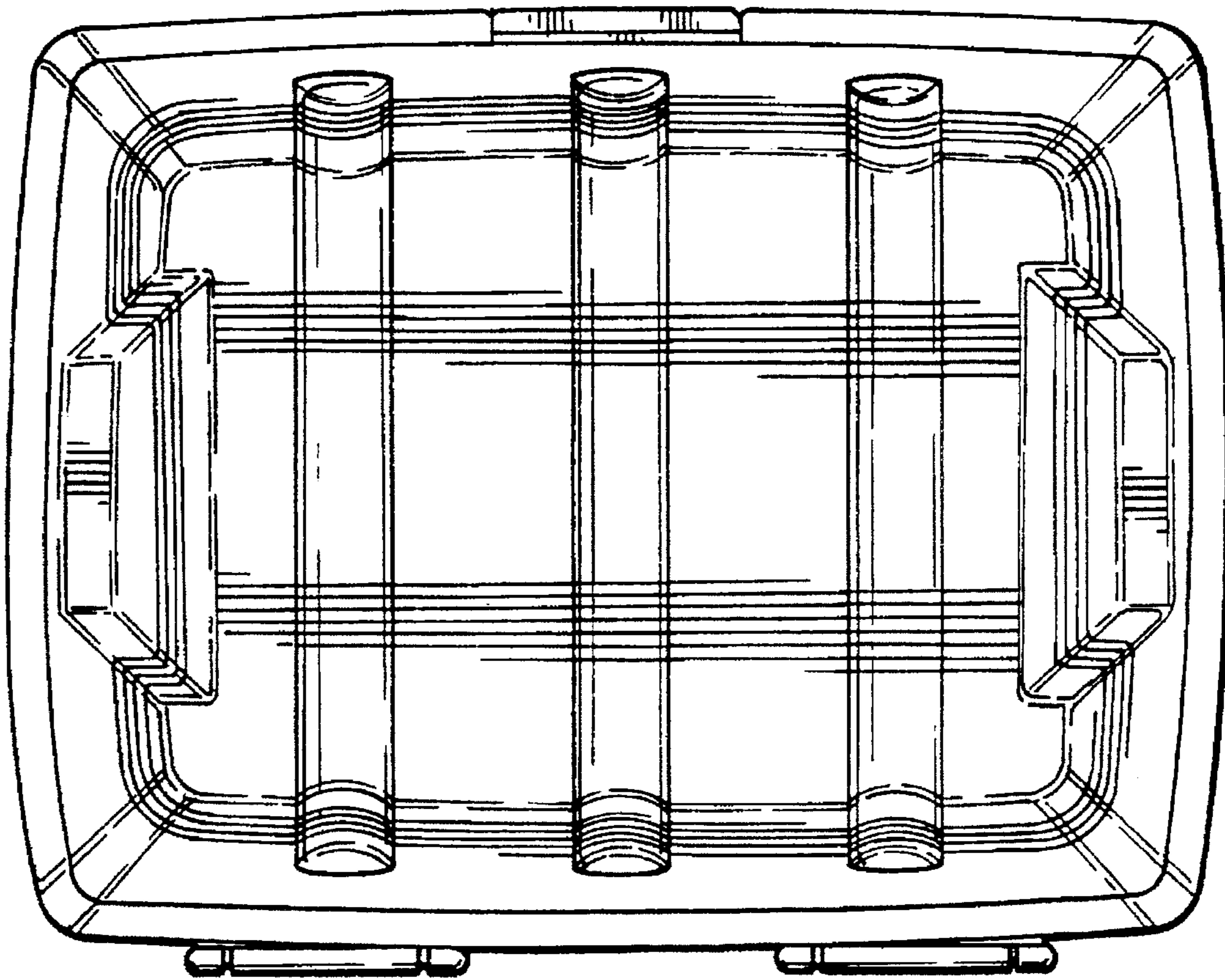


Fig - 7