



US00D381511S

United States Patent [19]
Krulik

[11] **Patent Number: Des. 381,511**
[45] **Date of Patent: **Jul. 29, 1997**

[54] **WHEELED CASE**

5,474,162 12/1995 Shyr et al. 190/111

[75] **Inventor: Richard J. Krulik**, Great Neck, N.Y.

Primary Examiner—Philip S. Hyder
Attorney, Agent, or Firm—Abelman, Frayne & Schwab

[73] **Assignee: United States Luggage, L.P.**,
Hauppauge, N.Y.

[57] **CLAIM**

[**] **Term: 14 Years**

The ornamental design for a wheeled case, as shown and described.

[21] **Appl. No.: 50,920**

DESCRIPTION

[22] **Filed: Feb. 29, 1996**

[51] **LOC (6) Cl. 03-01**

[52] **U.S. Cl. D3/279**

[58] **Field of Search D3/273, 274, 279,**
D3/283, 284, 285, 286; 190/18 A, 110,
111, 112, 113, 114, 115

FIG. 1 is a perspective view of case;
FIG. 2 is a top plan view thereof;
FIG. 3 is a front elevation thereof;
FIG. 4 is a right-hand side elevation thereof;
FIG. 5 is a left-hand side elevation thereof;
FIG. 6 is a rear elevation thereof;
FIG. 7 is an underside plan view thereof;
FIG. 8 is a perspective view thereof corresponding to FIG. 1, but with the front flaps in an open position;
FIG. 9 is a perspective view corresponding with FIG. 6, but with the top flaps in an open position; and,
FIG. 10 is a perspective view of a modified embodiment of the wheeled case of FIG. 1, wherein the handle is shown in an extended position.

The broken line portions of FIGS. 8-10 are for illustrative purposes only and form no part of the claimed design.

[56] **References Cited**

U.S. PATENT DOCUMENTS

D. 352,395	11/1994	King	D3/279
D. 354,396	1/1995	Löwenstein	D3/276
D. 354,397	1/1995	Berman	D3/276
D. 354,398	1/1995	Berman	D3/276
D. 364,504	11/1995	Bieber et al.	D3/276
5,291,976	3/1994	Ku	190/18 A
5,310,031	5/1994	Plath	190/18 A

1 Claim, 7 Drawing Sheets

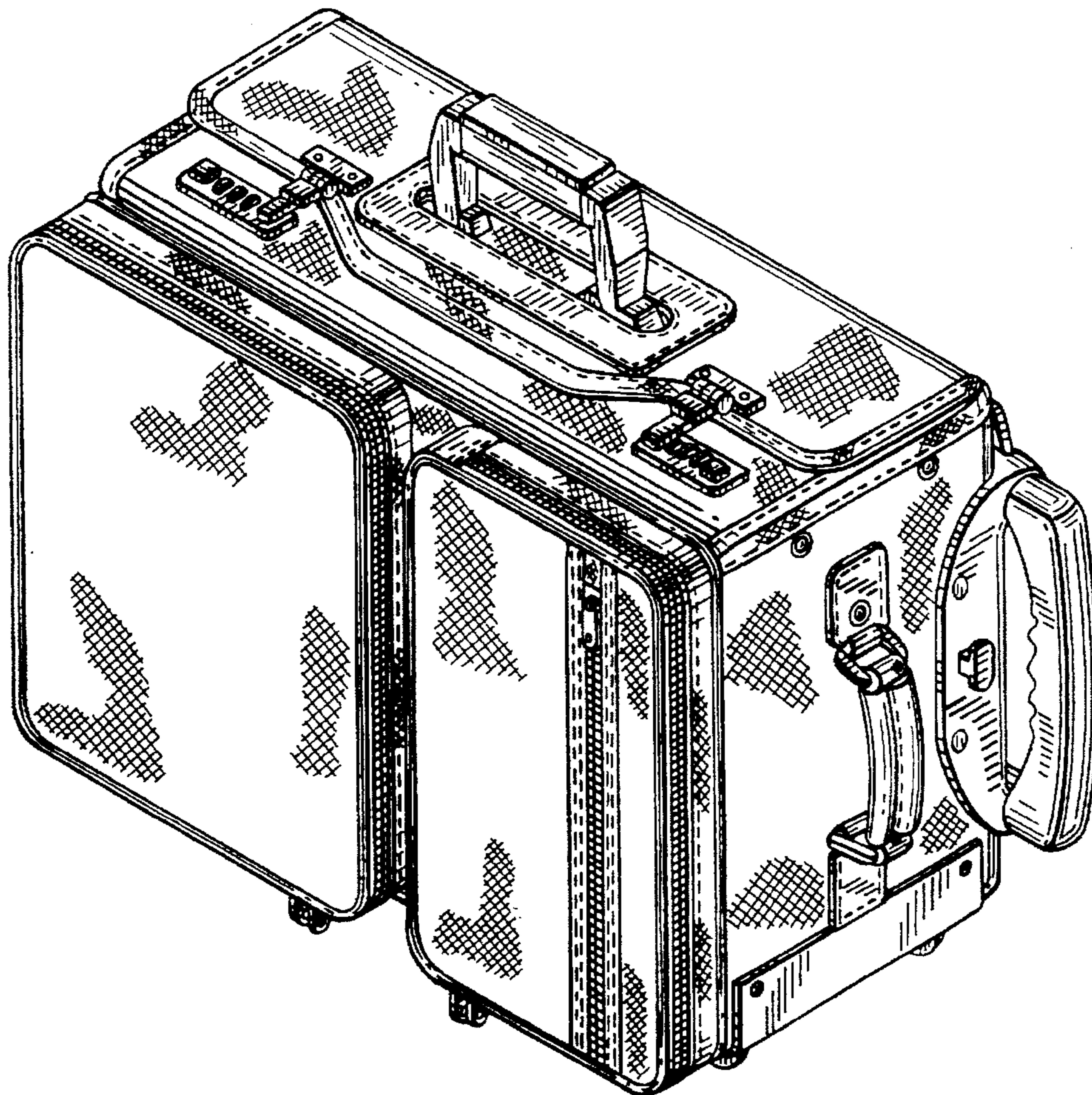


FIG. 1

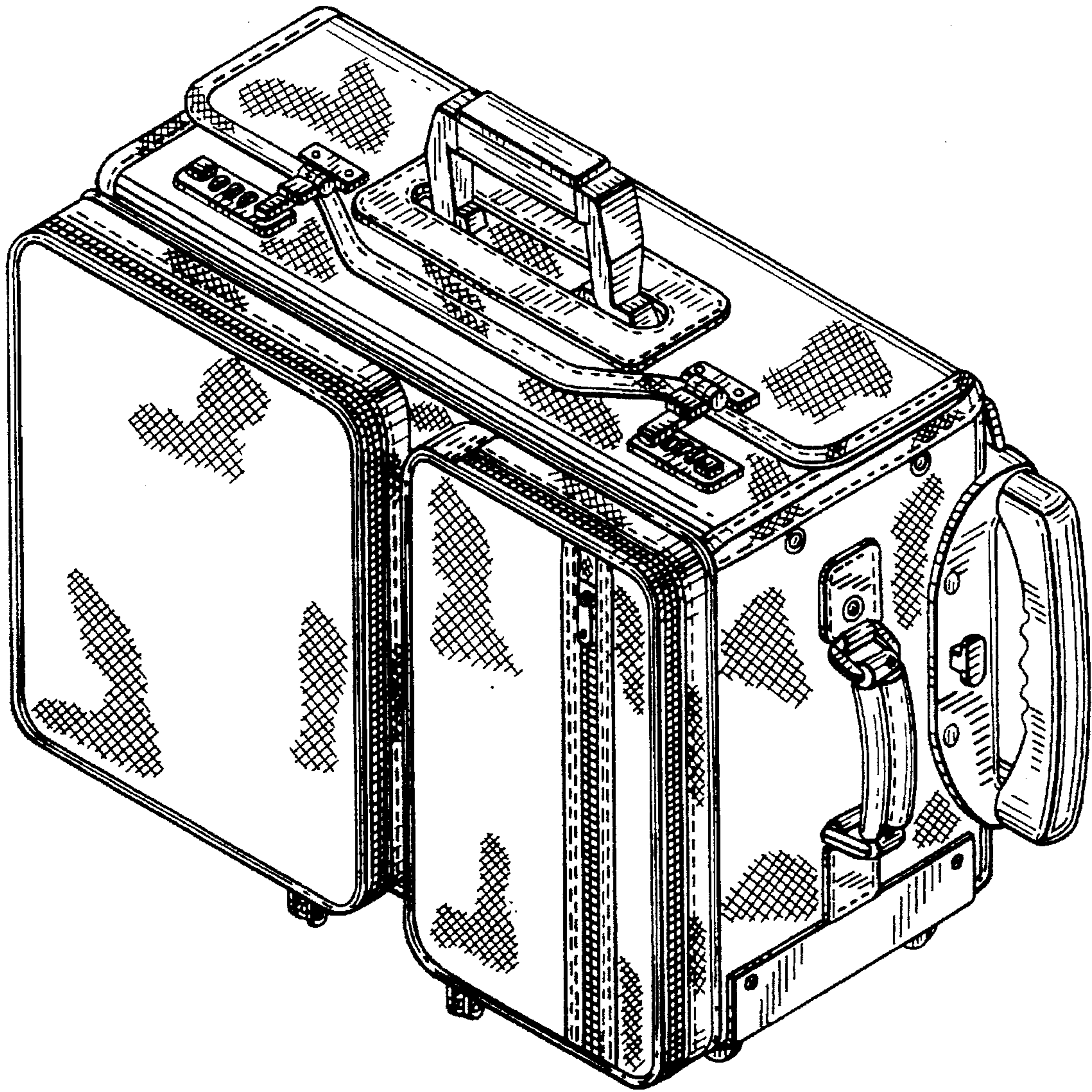


FIG. 2

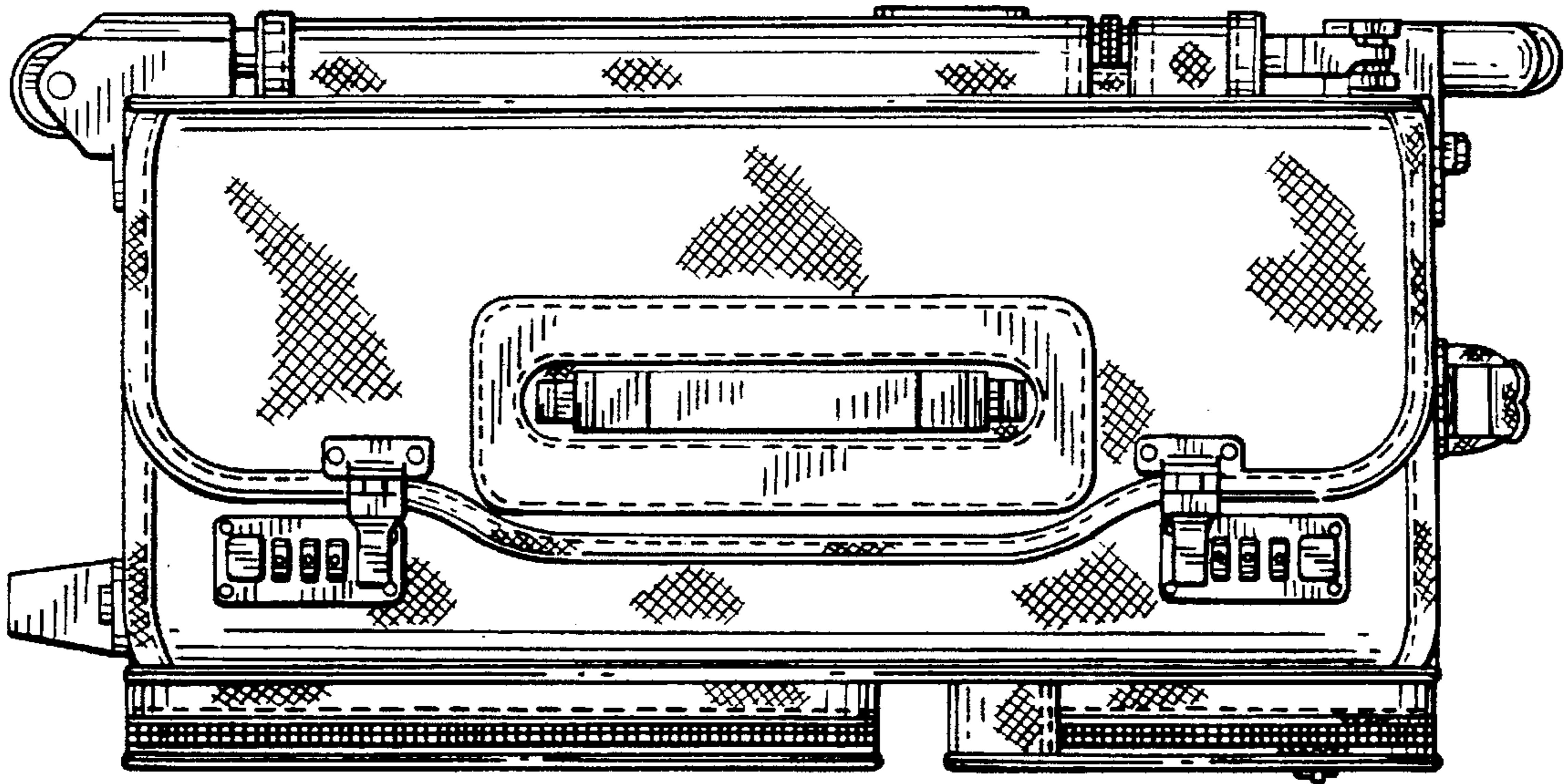


FIG. 3

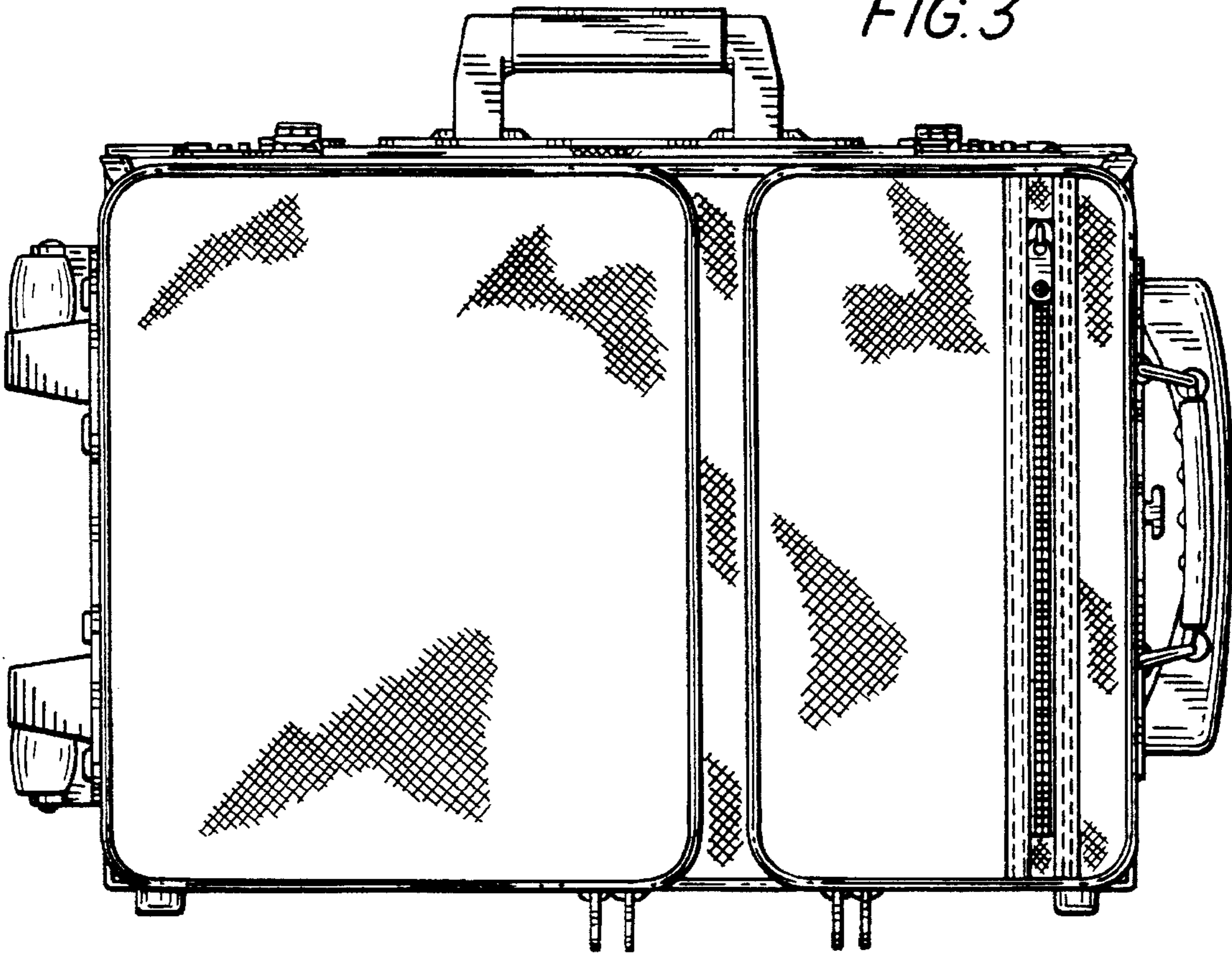


FIG. 5

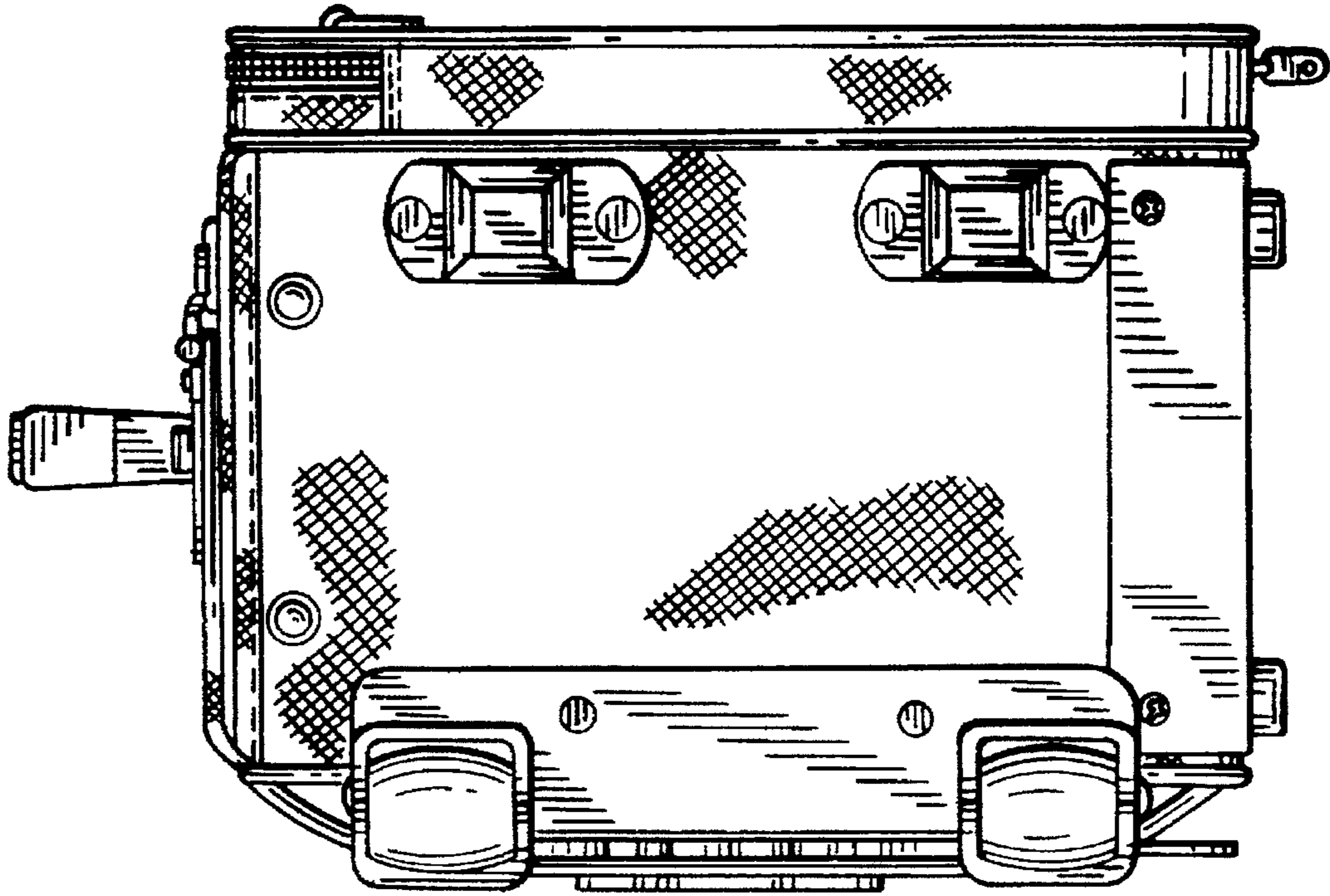


FIG. 4

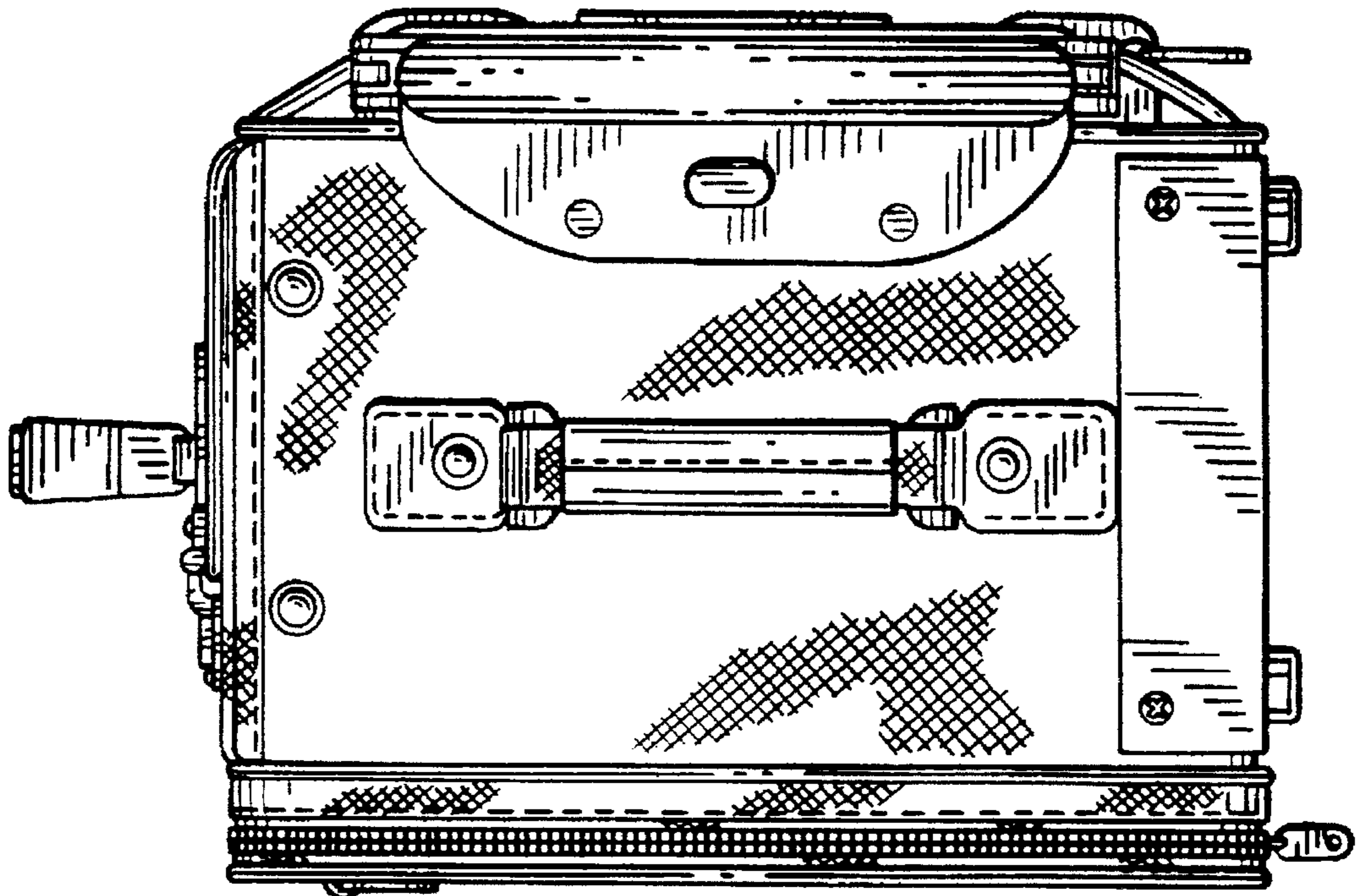


FIG. 6

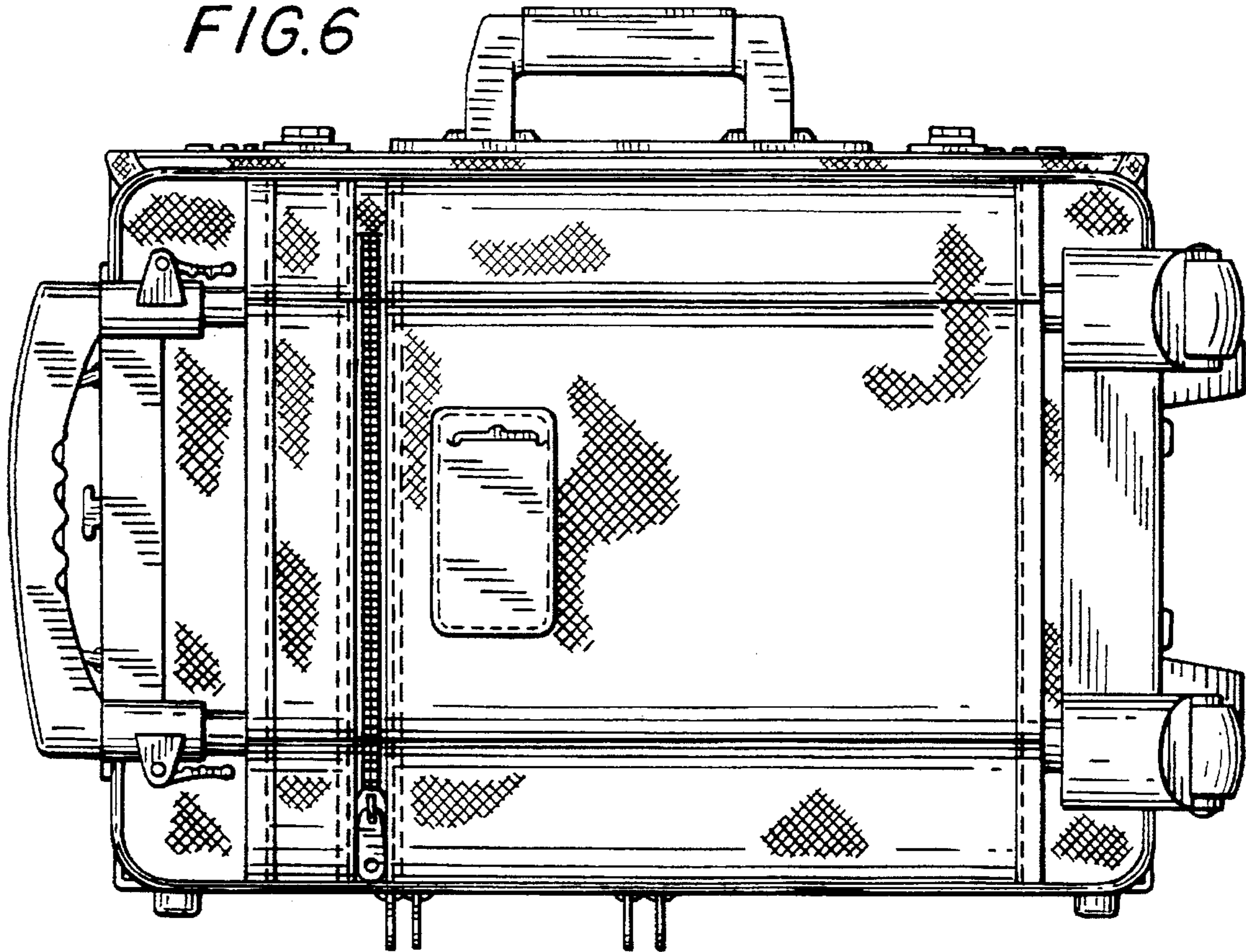


FIG. 7

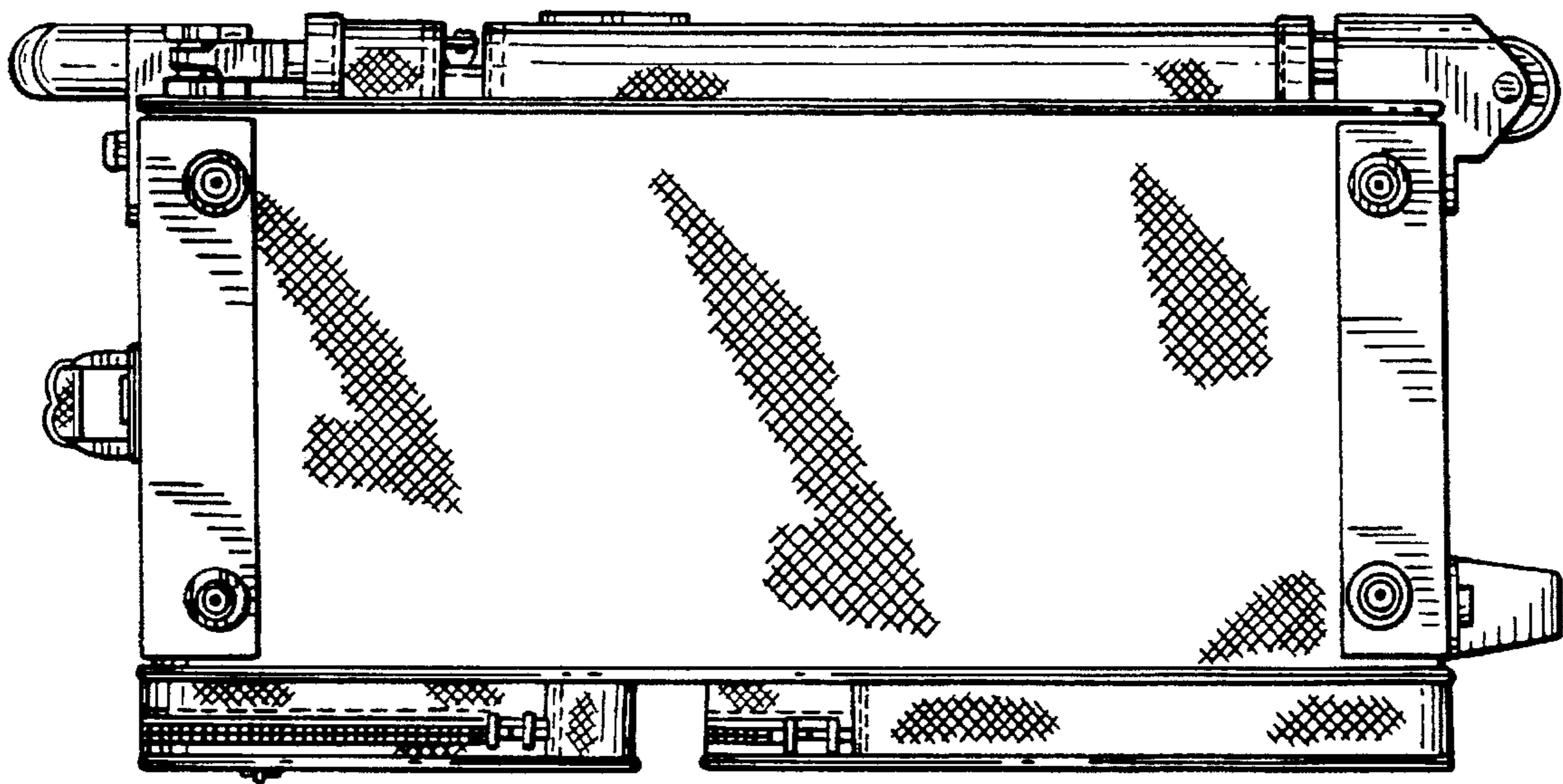


FIG. 8

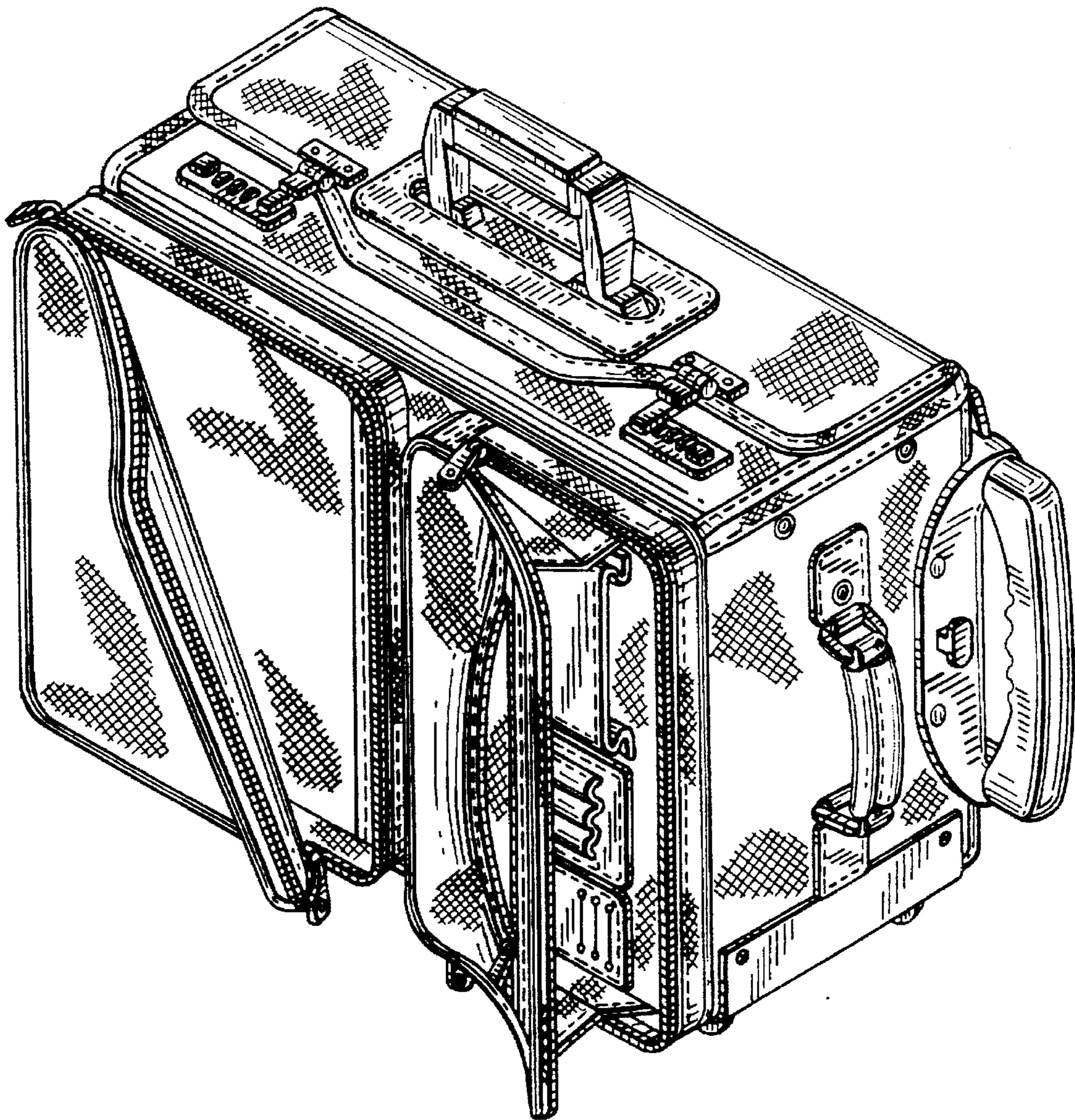


FIG. 9

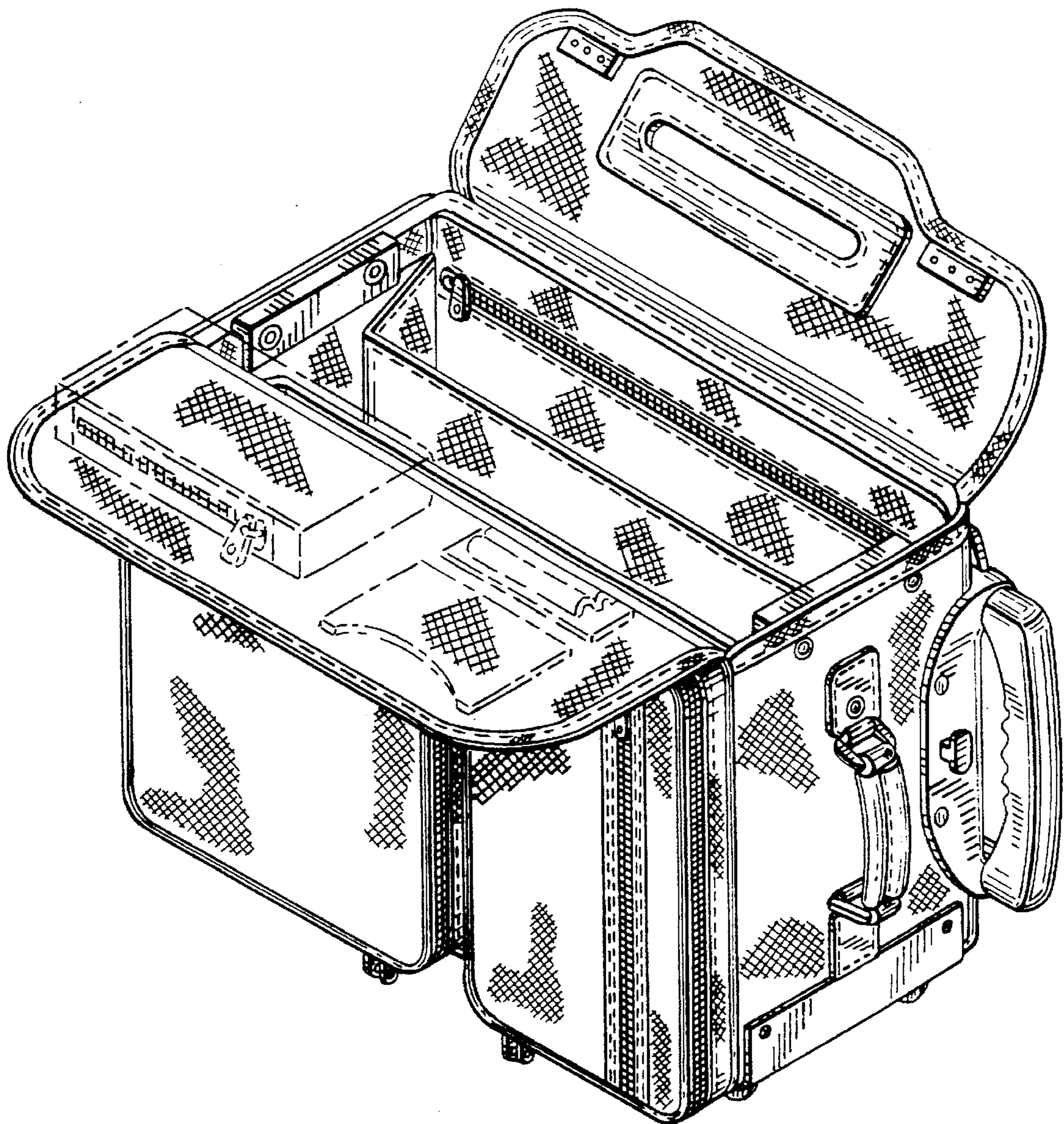


FIG. 10

