



US00D381509S

**United States Patent** [19]  
**Miller**

[11] **Patent Number: Des. 381,509**  
[45] **Date of Patent: \*\*Jul. 29, 1997**

[54] **WALLET**

[75] **Inventor: Shelley L. Miller, Hackensack, N.J.**

[73] **Assignee: B.H. Smith, Inc., New York, N.Y.**

[\*\*] **Term: 14 Years**

[21] **Appl. No.: 52,679**

[22] **Filed: Mar. 29, 1996**

[51] **LOC (6) Cl. .... 03-01**

[52] **U.S. Cl. .... D3/251; D3/252**

[58] **Field of Search .... D3/201, 231, 232, D3/233, 234-238, 239, 240, 243, 244, 245, 246, 247-253; 180/100, 103, 104, 105, 107, 108, 112, 117; 383/2, 38, 86**

[56] **References Cited**

**U.S. PATENT DOCUMENTS**

D. 120,814	5/1940	Linderman	.....	D3/252 X
D. 123,409	11/1940	Lewenthal	.....	D3/243
D. 160,021	9/1950	Rothchild	.....	D3/251 X
D. 303,809	10/1989	Klein	.....	D3/249 X
D. 312,351	11/1990	Bishop	.....	D3/251
1,523,260	1/1925	Frank	.....	150/145 X
4,126,168	11/1978	Ganz et al.	.....	D3/247 X

*Primary Examiner*—Louis S. Zarfaz  
*Assistant Examiner*—Monica A. Weingart  
*Attorney, Agent, or Firm*—Dressler, Goldsmith, Milnamow & Katz, Ltd.

[57] **CLAIM**

The new, original design for a wallet, as shown and described.

**DESCRIPTION**

FIG. 1 is a perspective view of a wallet showing my new design in its closed orientation, the inside portions thereof being unornamental in design;  
FIG. 2 is a top plan view thereof;  
FIG. 3 is a front elevational view thereof;  
FIG. 4 is a left side elevational view thereof;  
FIG. 5 is a right side elevational view thereof;  
FIG. 6 is a rear elevational view thereof;  
FIG. 7 is a bottom plan view thereof;  
FIG. 8 is a perspective view of a second modified embodiment of the design, the inside portions thereof being unornamental in design;  
FIG. 9 is a top plan view of the second modified embodiment;  
FIG. 10 is a front elevational view of the second modified embodiment;  
FIG. 11 is a left side elevational view of the second modified embodiment;  
FIG. 12 is a right side elevational view of the second modified embodiment;  
FIG. 13 is a rear elevational view of the second modified embodiment; and,  
FIG. 14 is a bottom plan view of the second modified embodiment.

**1 Claim, 4 Drawing Sheets**

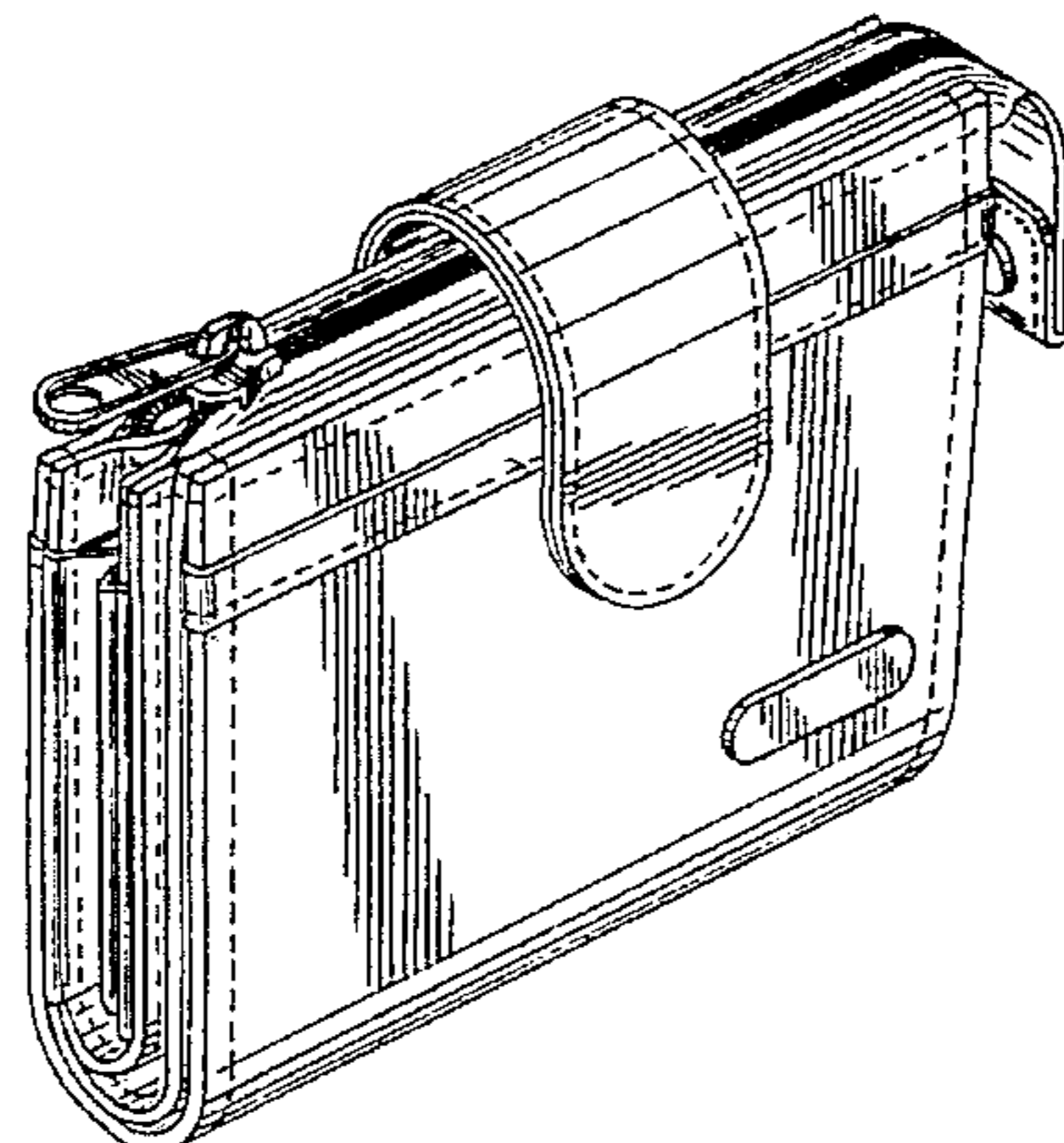
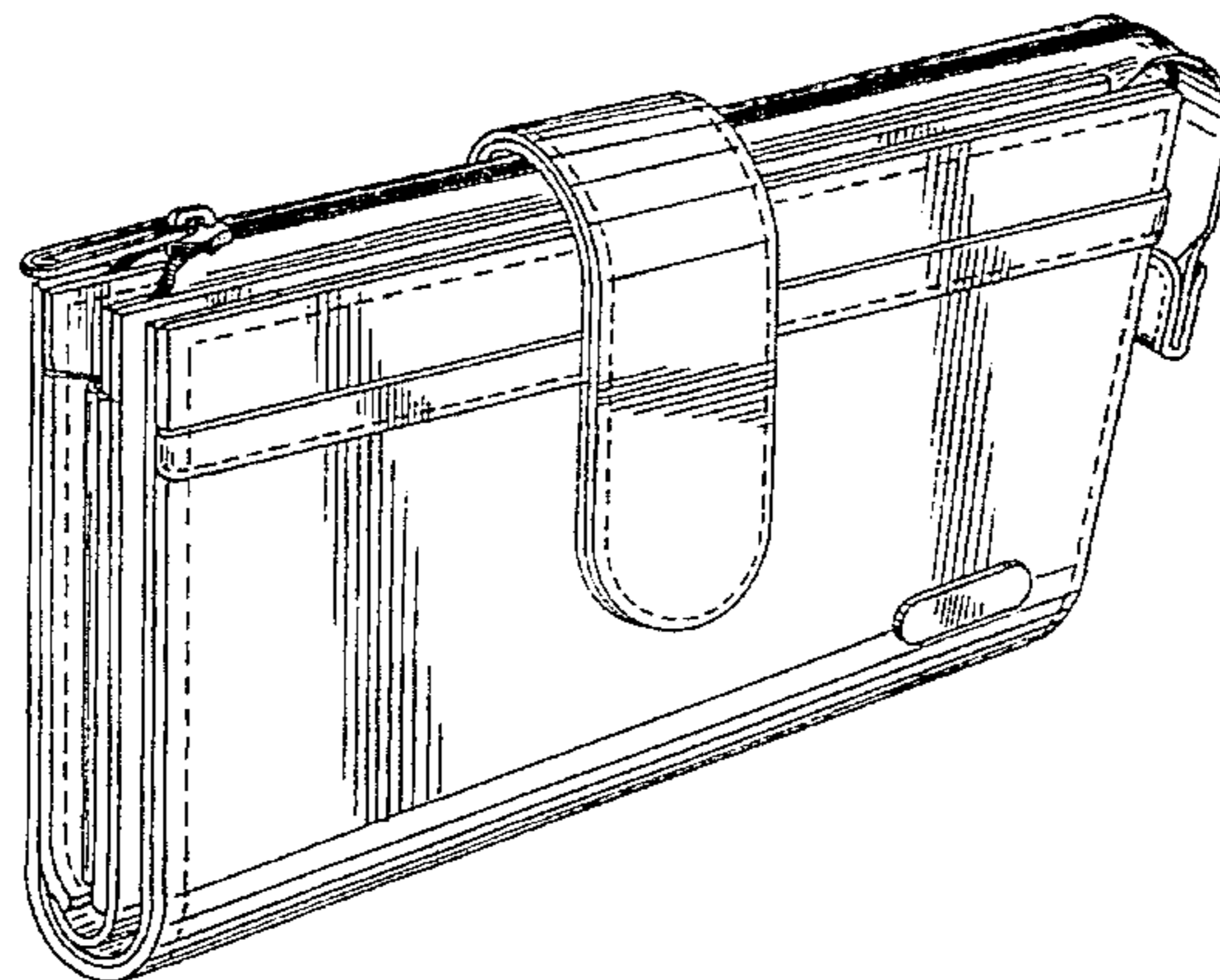


FIG. 1

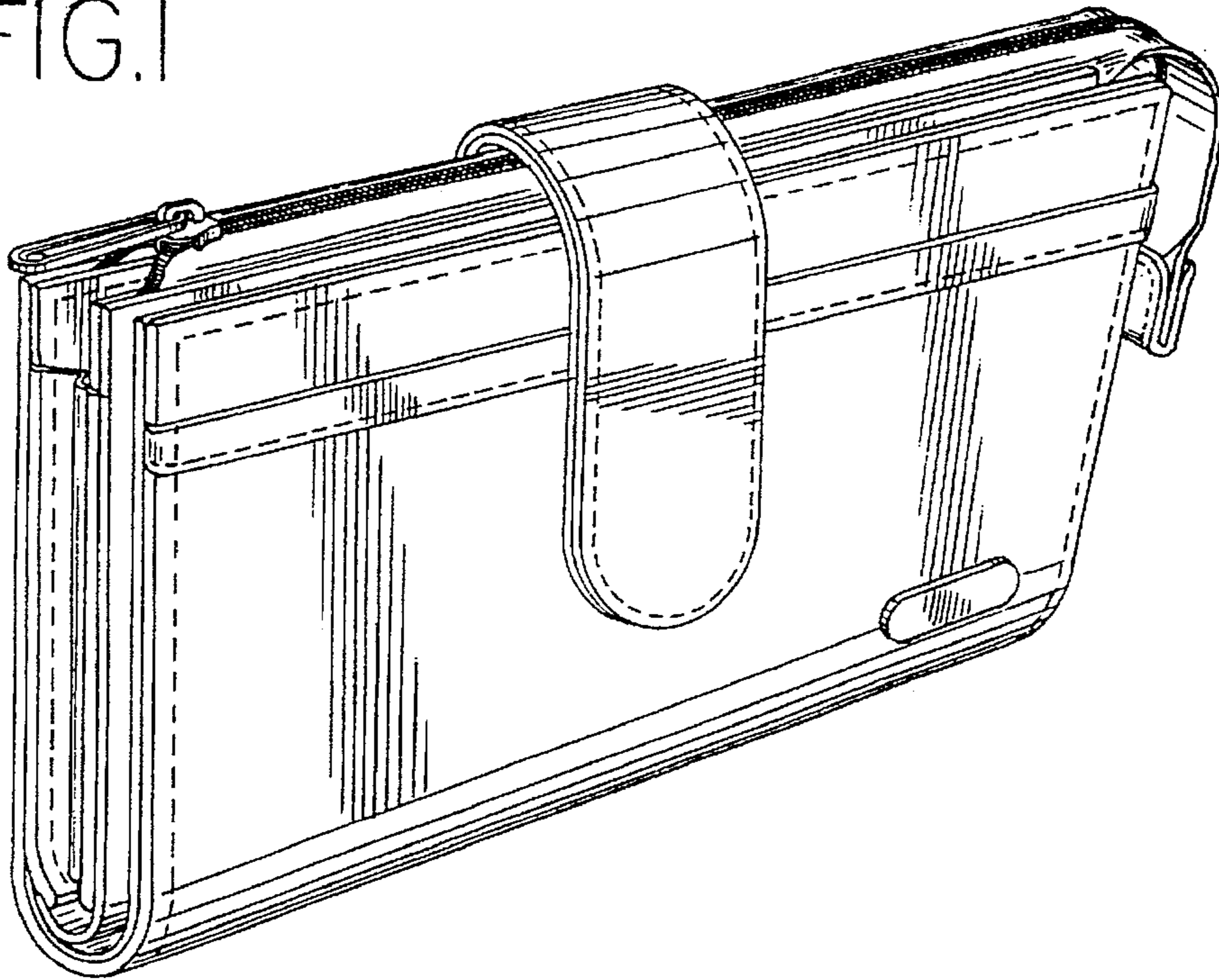


FIG. 2

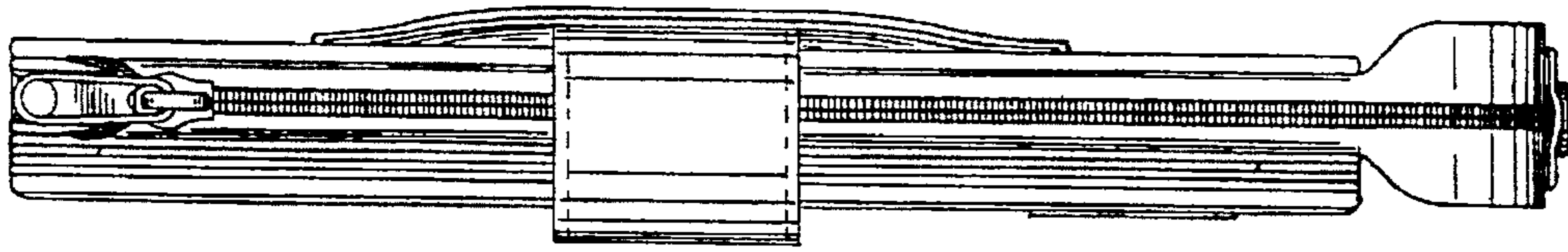


FIG. 3

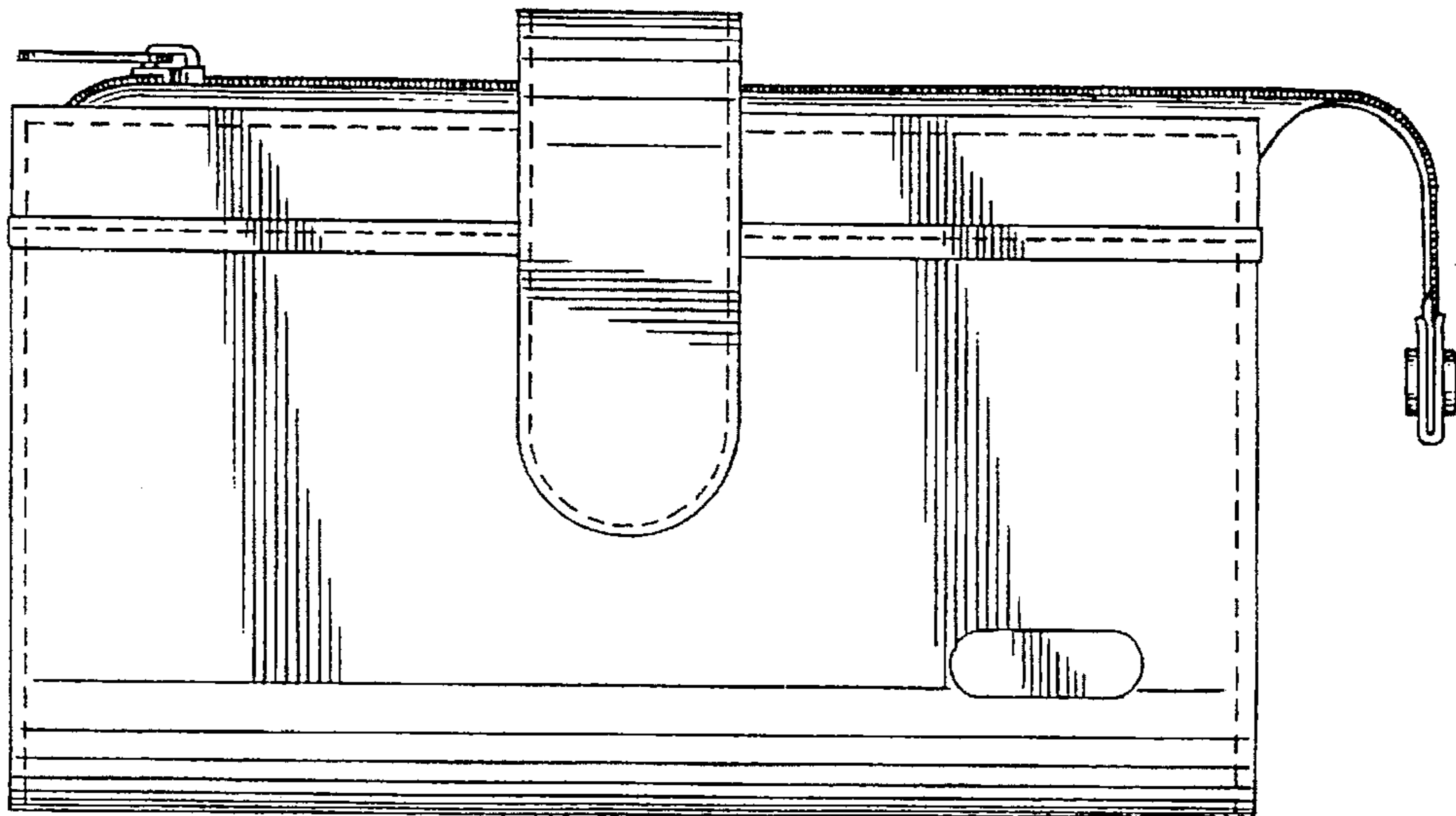


FIG.4

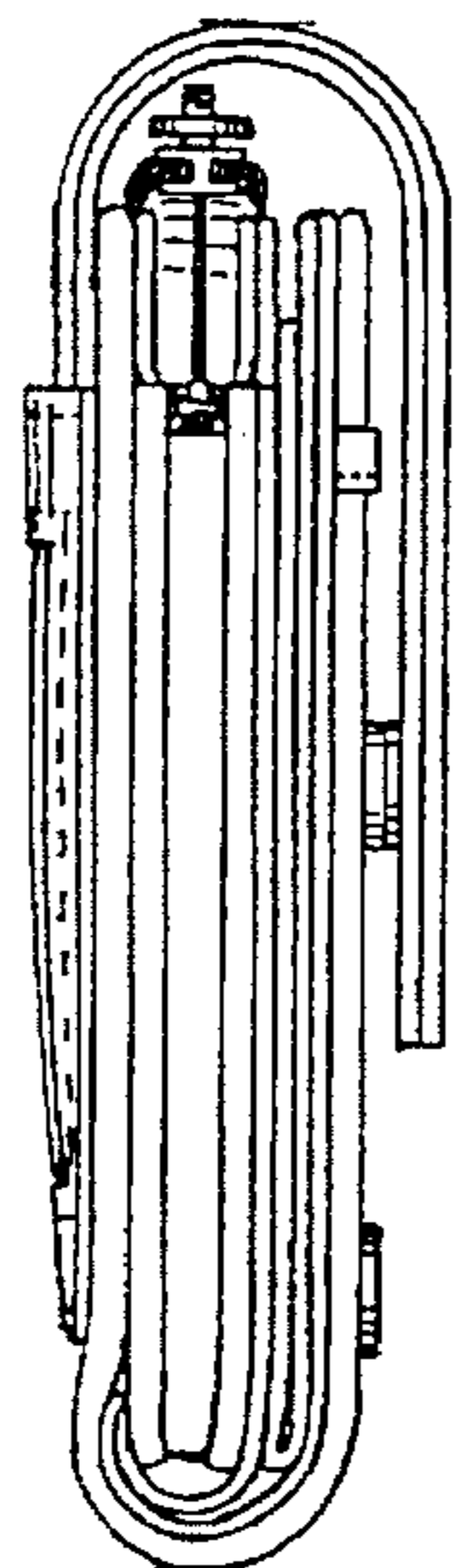


FIG.5

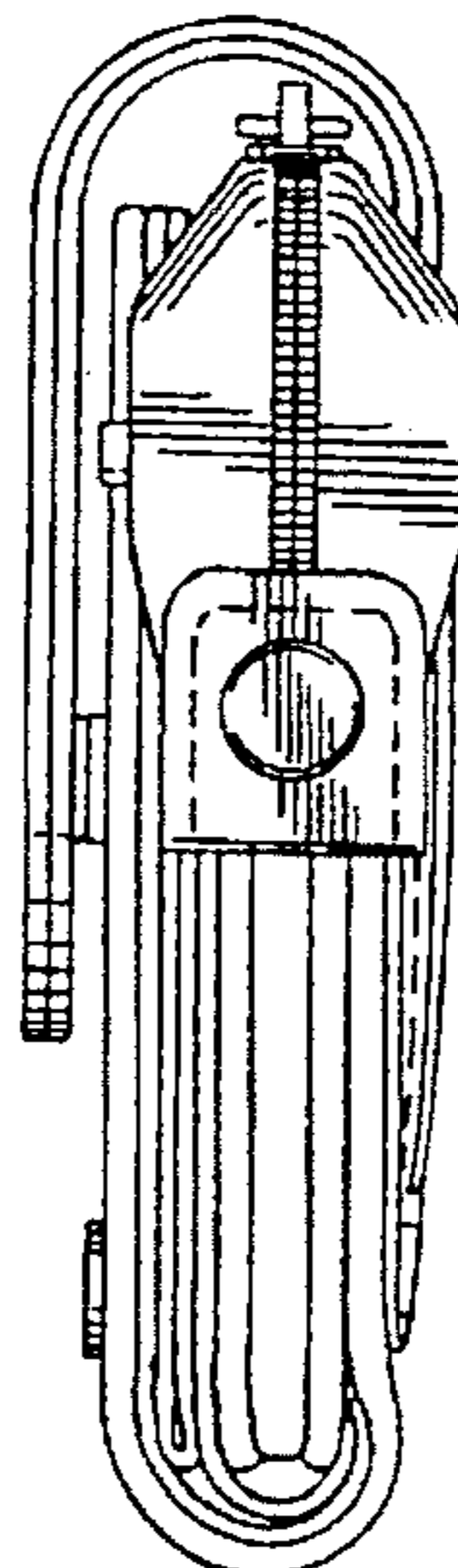


FIG.6

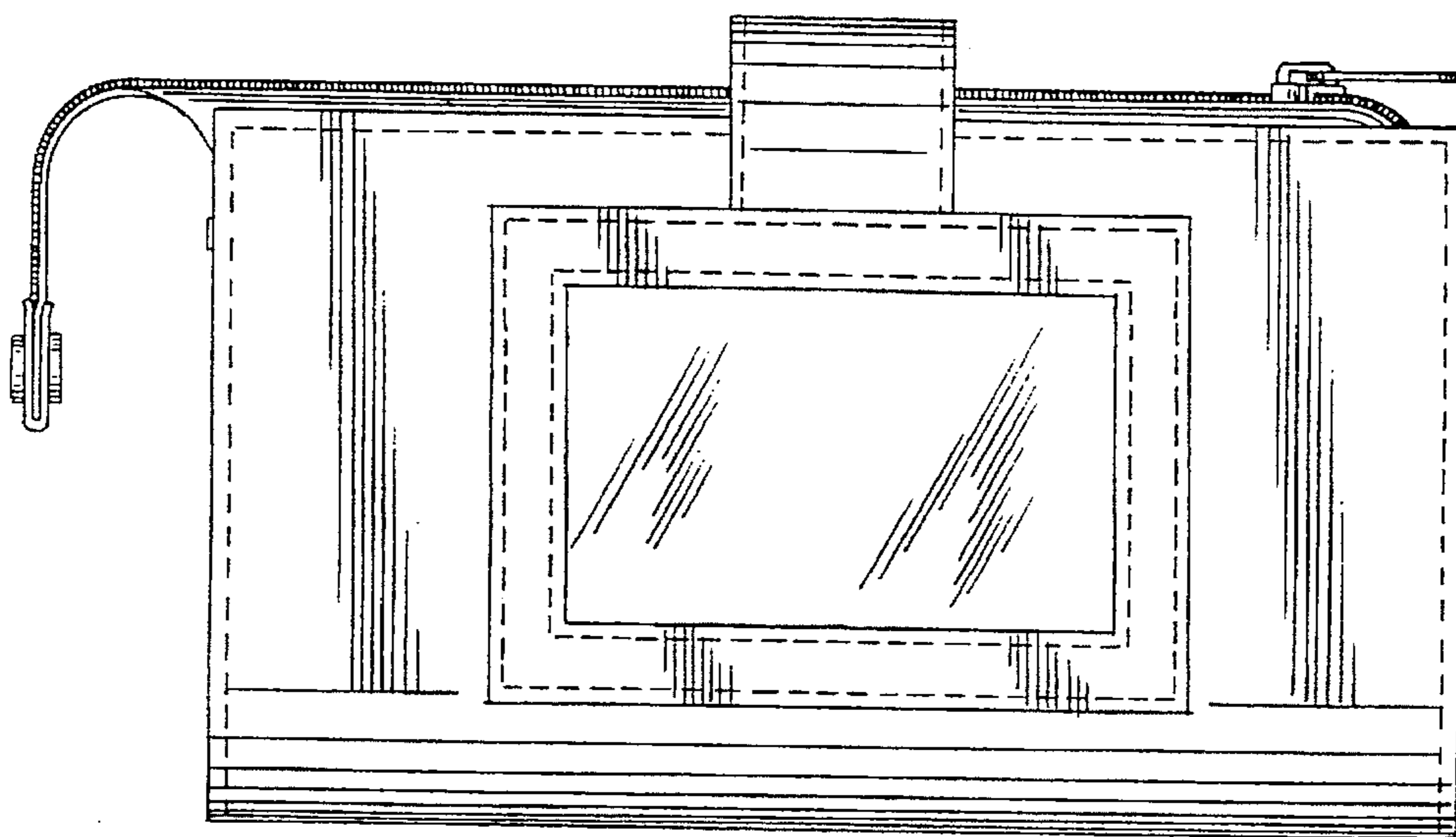


FIG.7

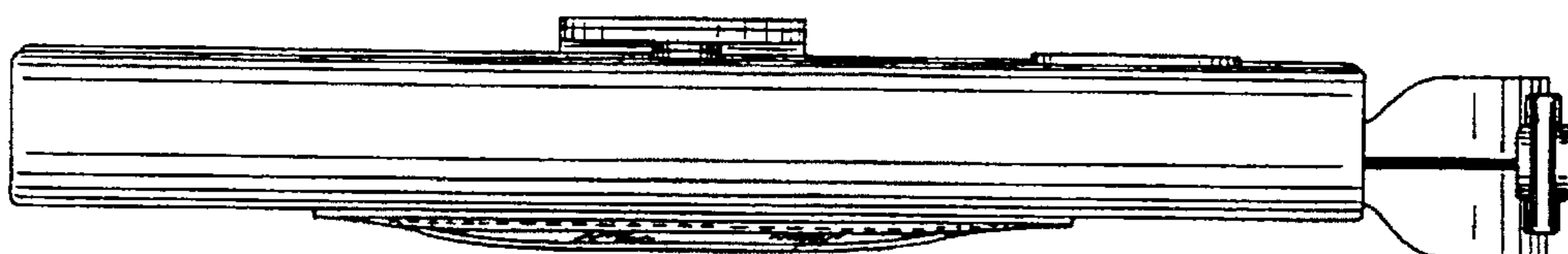




FIG. 8

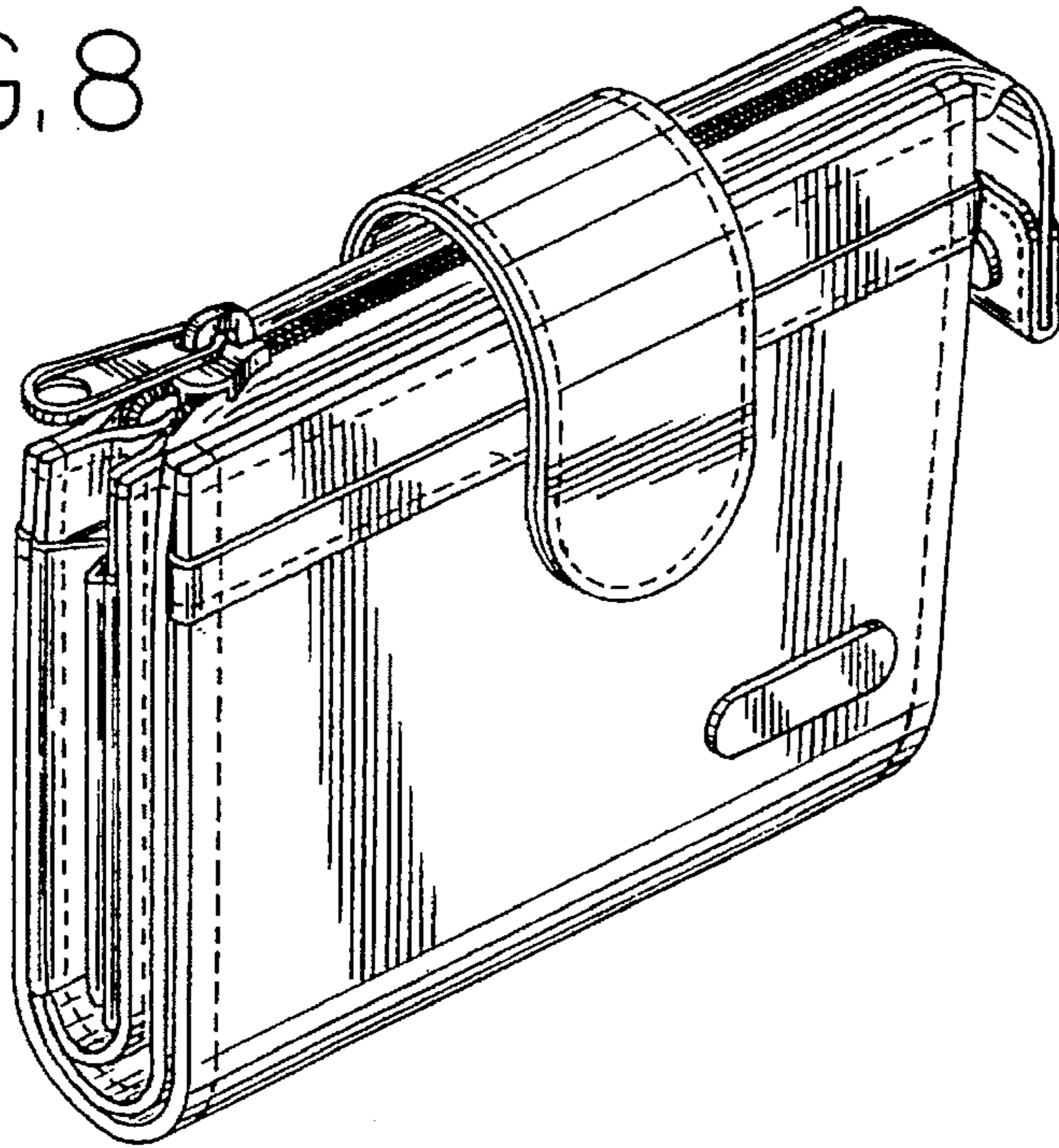


FIG. 9

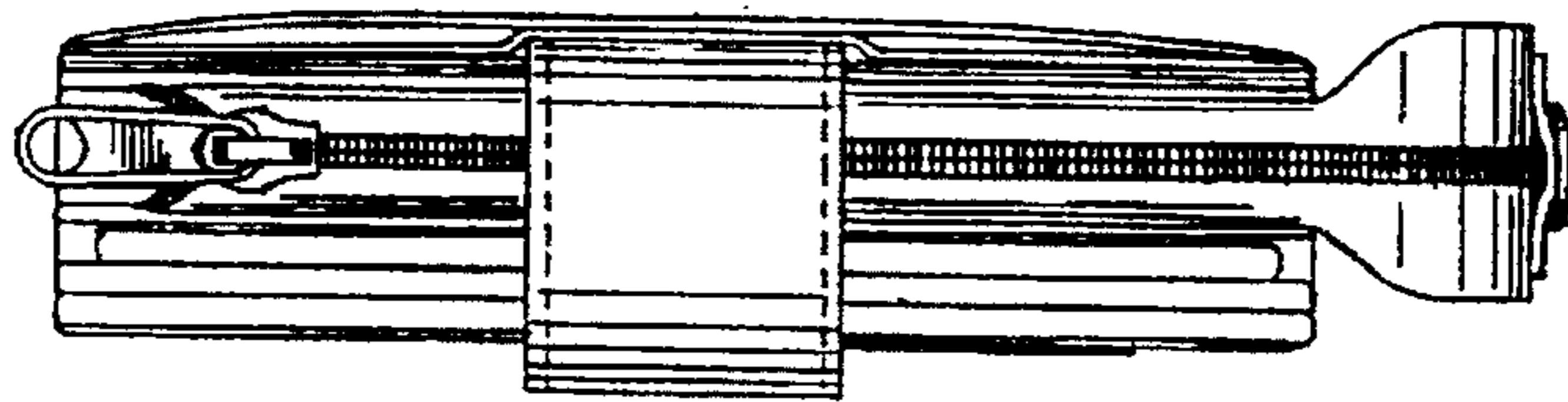


FIG. 10

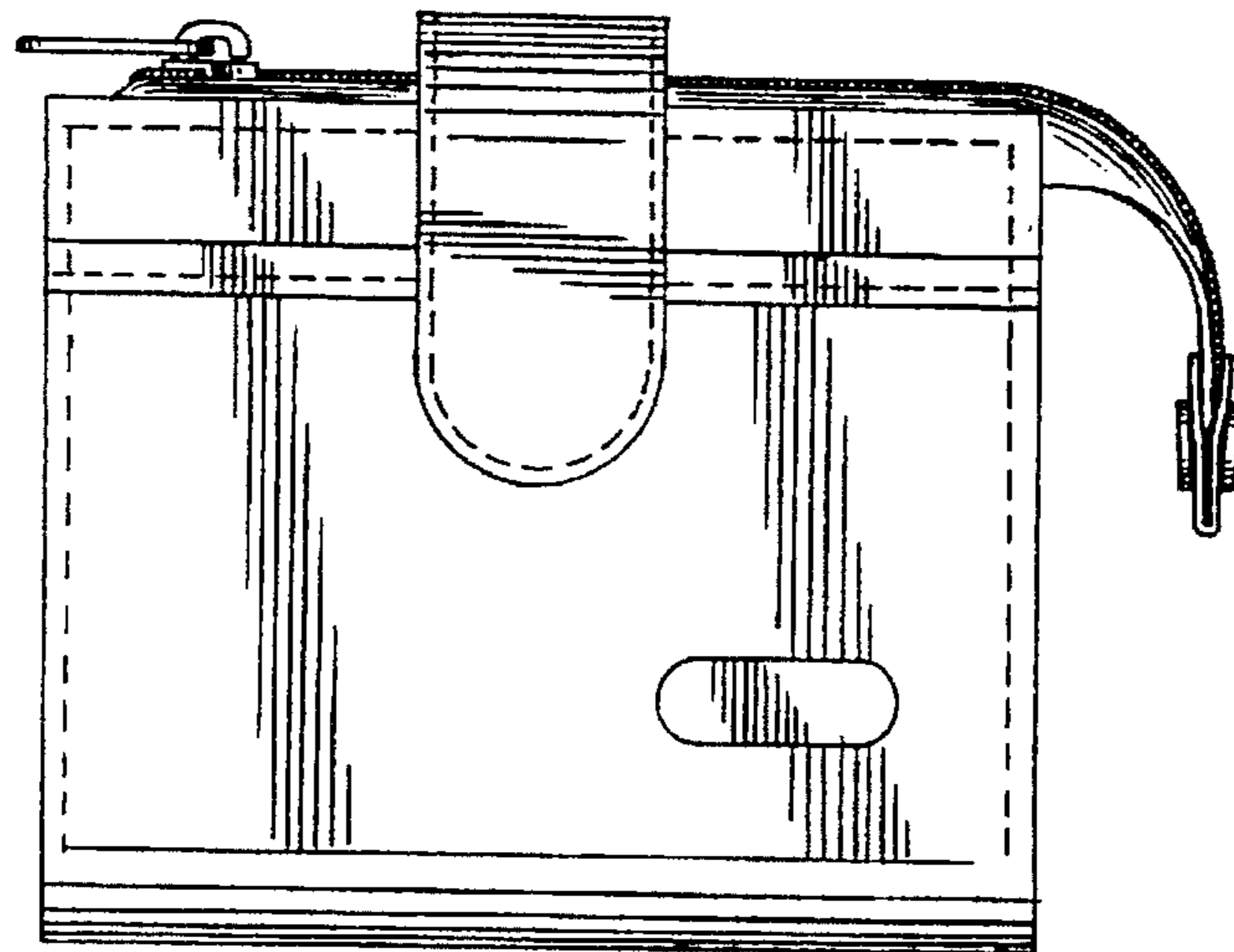


FIG. 11

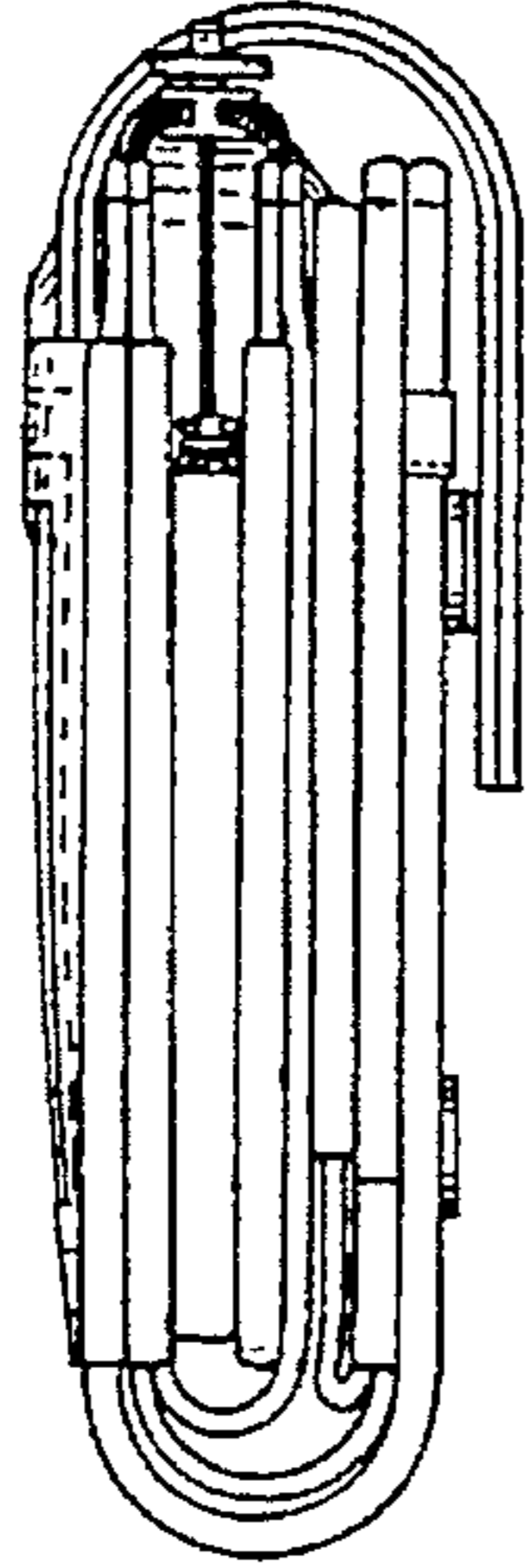


FIG. 12

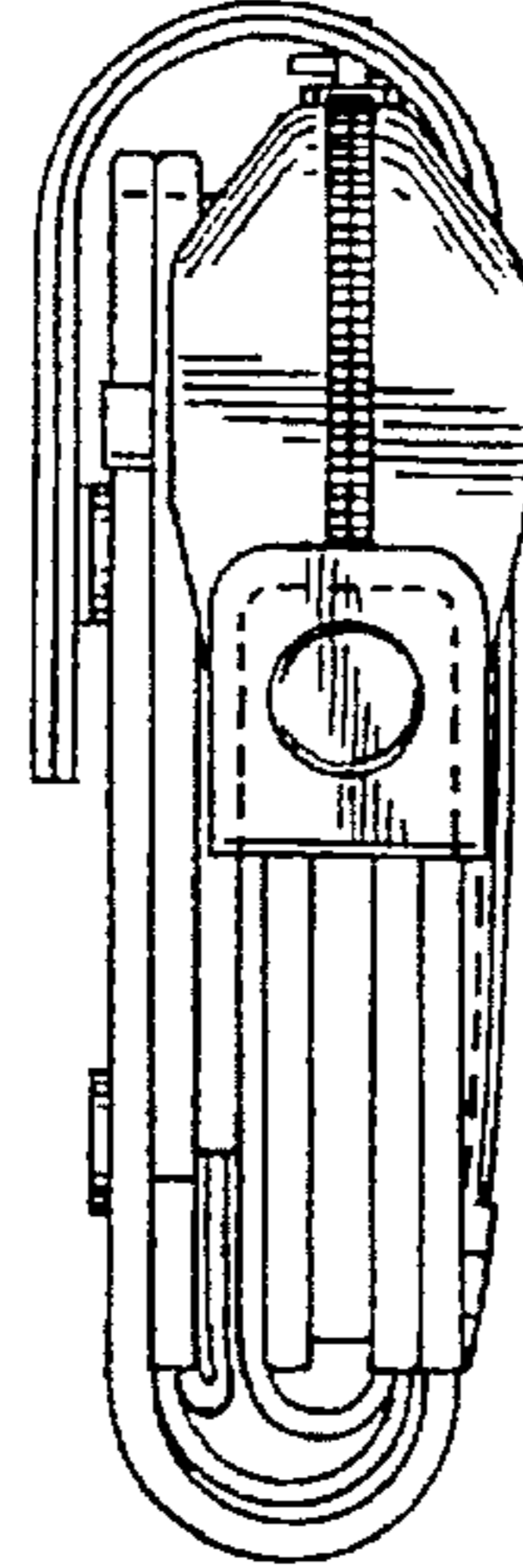


FIG. 13

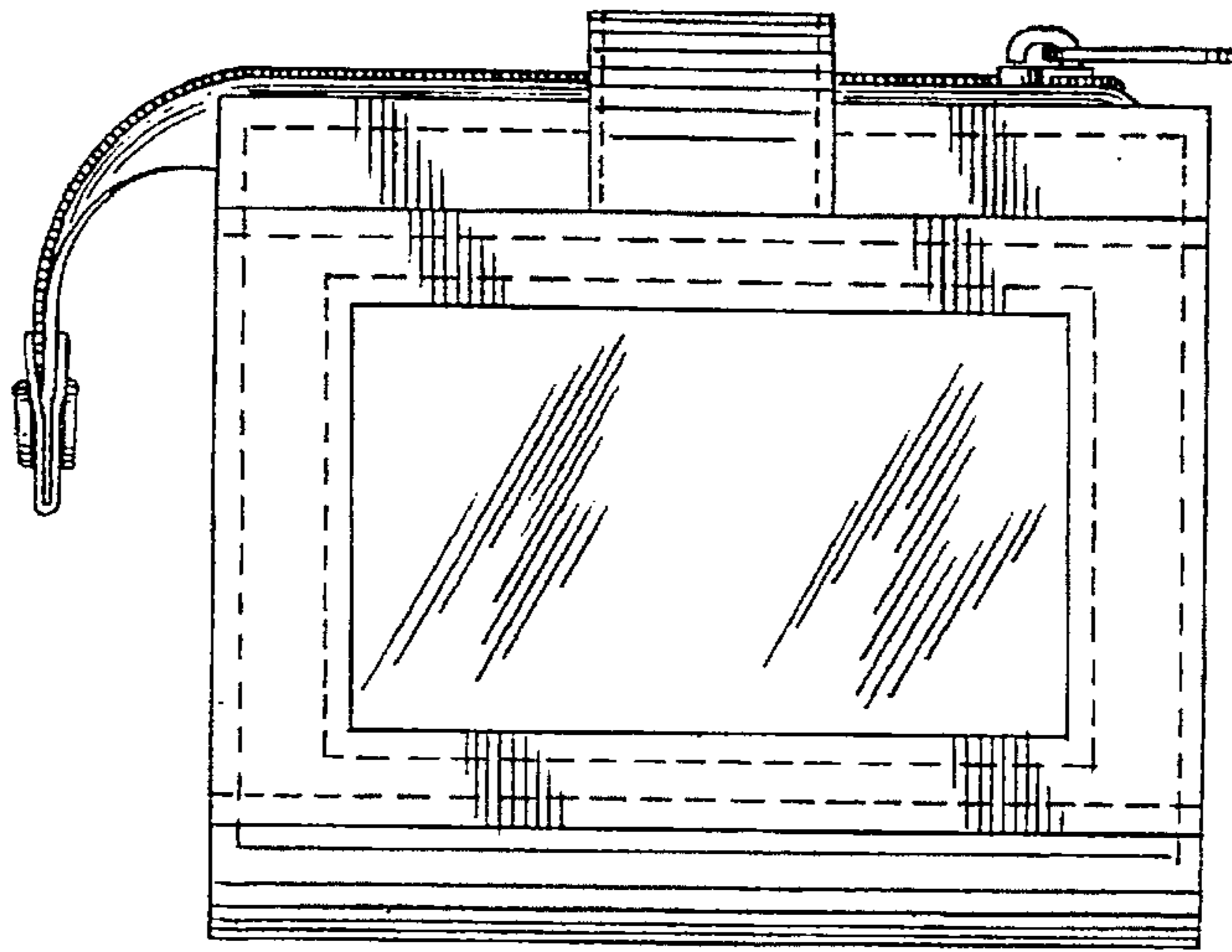


FIG. 14

