



US00D381500S

# United States Patent [19]

Dixon et al.

[11] Patent Number: **Des. 381,500**

[45] Date of Patent: **\*\*\*Jul. 29, 1997**

[54] **BACK PACK**

[75] Inventors: **David B. Dixon; Maria Do Carmo Nazareth**, both of New York, N.Y.

[73] Assignee: **Mildex Pack, Inc.**, New York, N.Y.

[\*] Notice: The portion of the term of this patent subsequent to Nov. 26, 2010, has been disclaimed.

[\*\*] Term: **14 Years**

[21] Appl. No.: **30,938**

[22] Filed: **Nov. 14, 1994**

[51] LOC (6) Cl. .... **03-01**

[52] U.S. Cl. .... **D3/217; D3/270**

[58] Field of Search ..... **D3/214, 215, 216, D3/217, 270; 224/153**

### [56] References Cited

#### U.S. PATENT DOCUMENTS

D. 260,697 9/1981 Fitzgerald et al. .... D3/217

D. 343,515	1/1994	Monneret	.....	D3/270
D. 348,151	6/1994	Acheson	.....	D3/217
D. 350,228	9/1994	Poire	.....	D3/217
D. 358,023	5/1995	Poire	.....	D3/217
D. 360,072	7/1995	Poire	.....	D3/217

*Primary Examiner*—Celia Murphy  
*Attorney, Agent, or Firm*—James J. Romano, Jr.

### [57] CLAIM

The ornamental design for a back pack, as shown and described.

### DESCRIPTION

FIG. 1 is a front, right side perspective view of a back pack showing our new design;

FIG. 2 is a top plan view thereof;

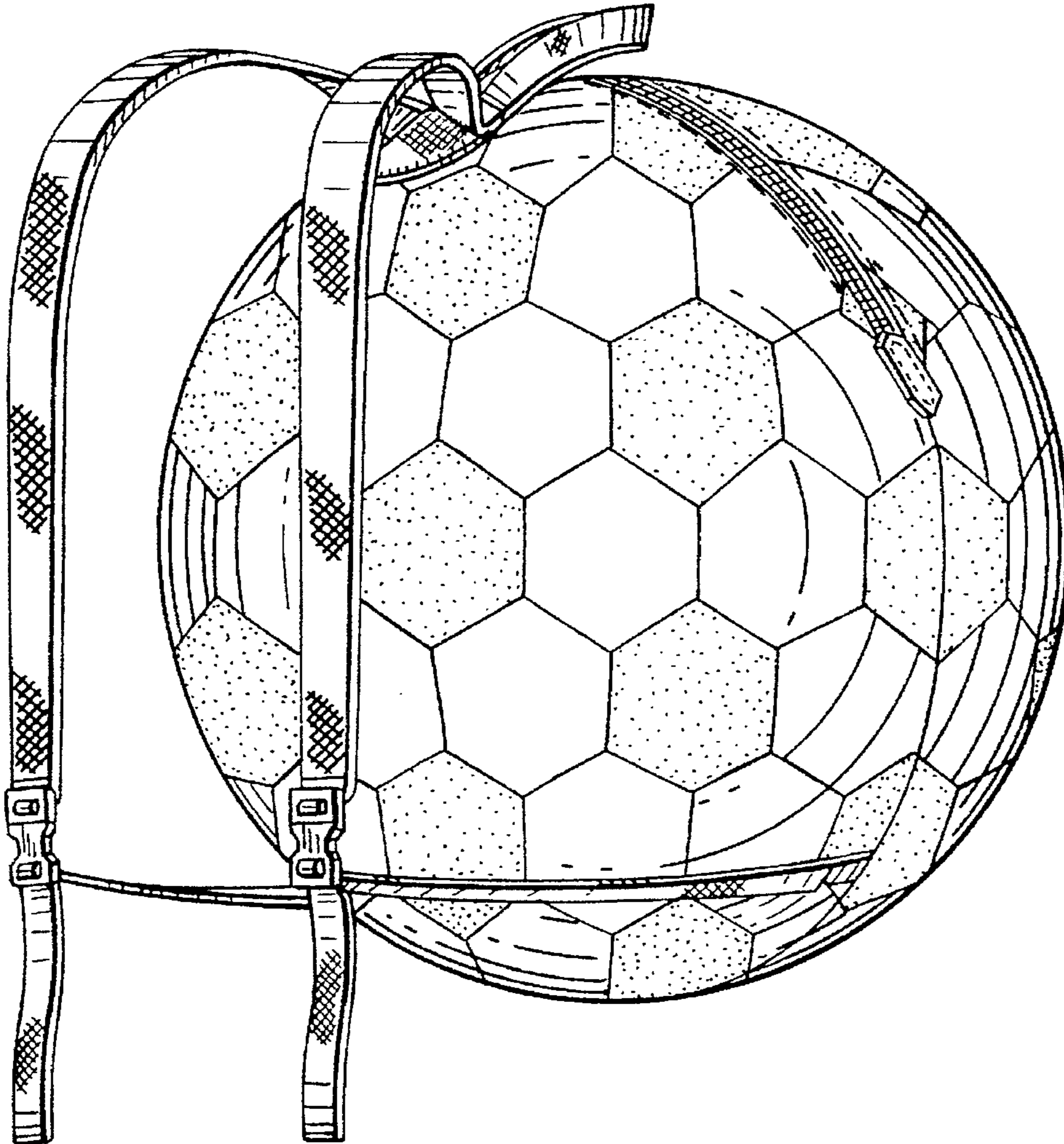
FIG. 3 is a left side elevational view thereof;

FIG. 4 is a rear elevational view thereof; and,

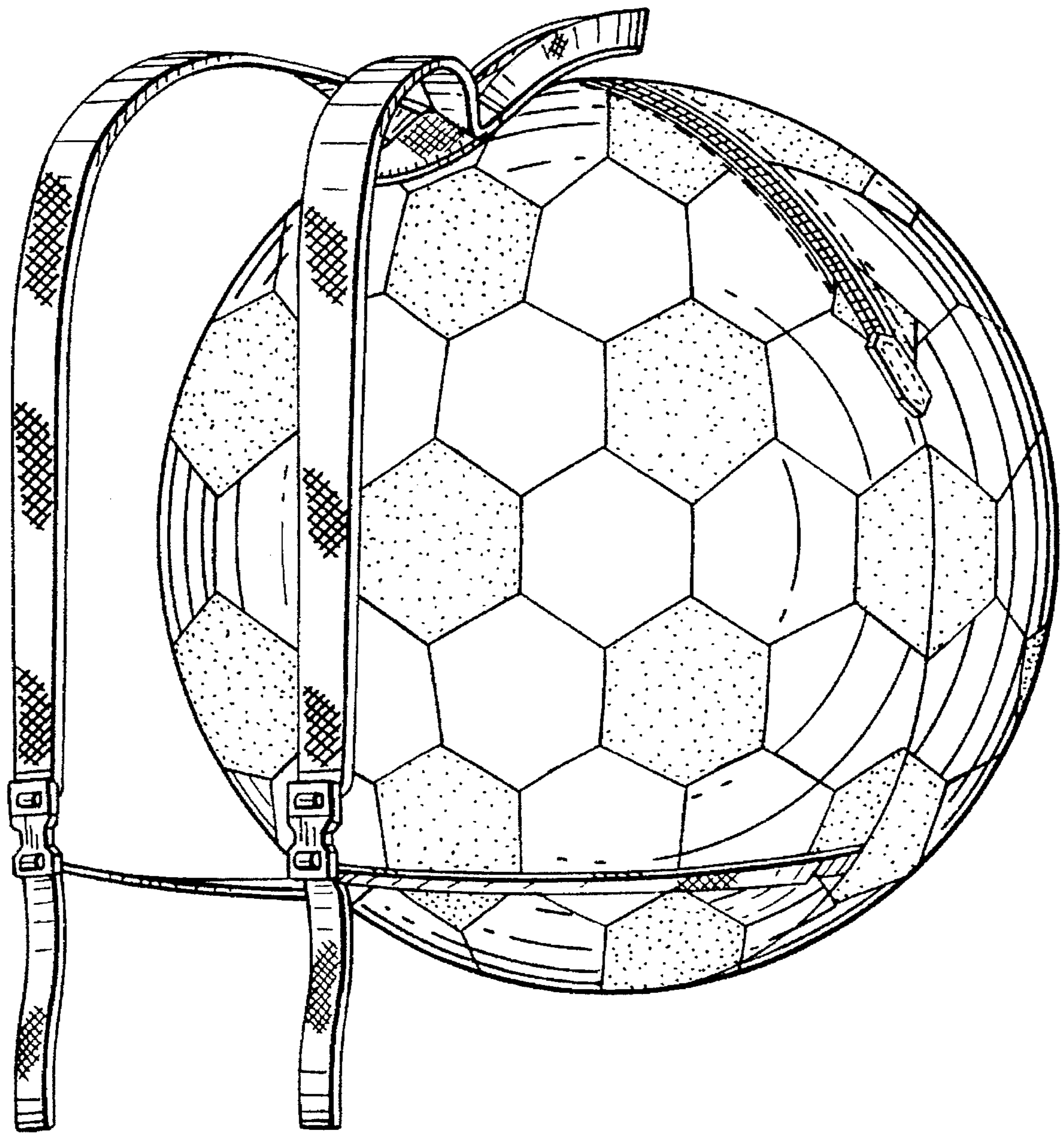
FIG. 5 is a bottom plan view thereof.

The broken lines shown in FIG. 1, 2, and 3 are understood to represent conventional stitching.

**1 Claim, 3 Drawing Sheets**

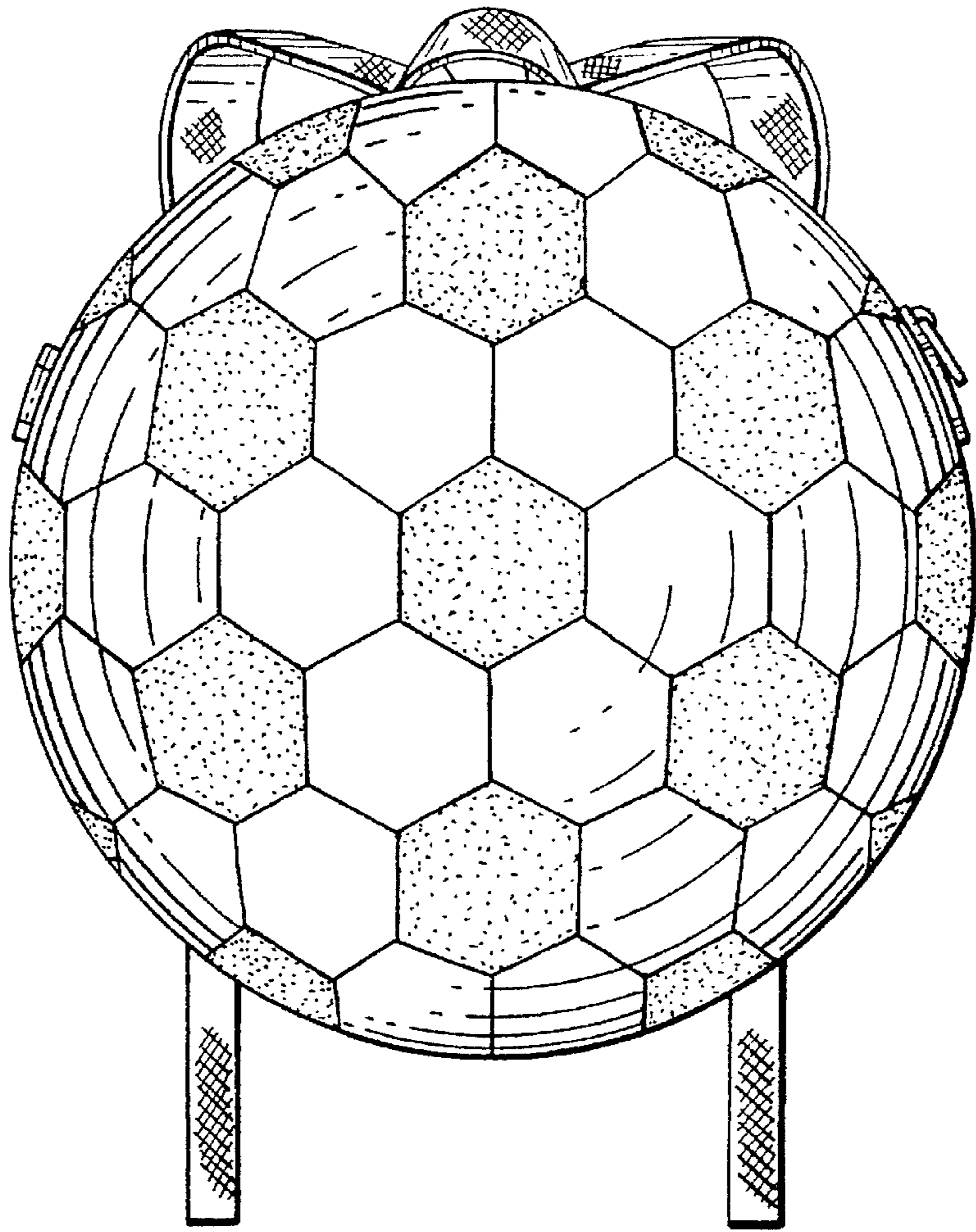


*FIG. 1*

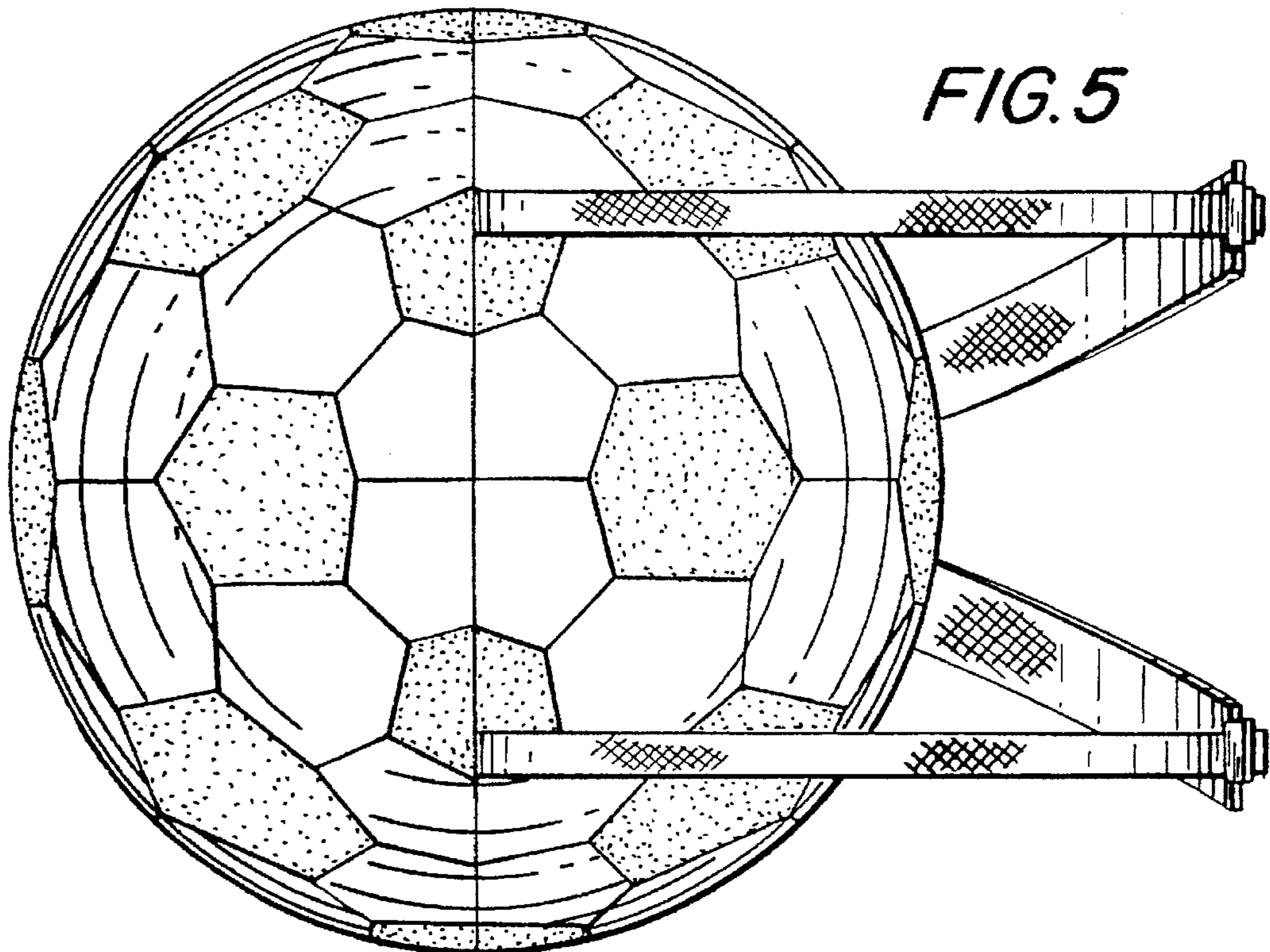




*FIG. 4*



*FIG. 5*



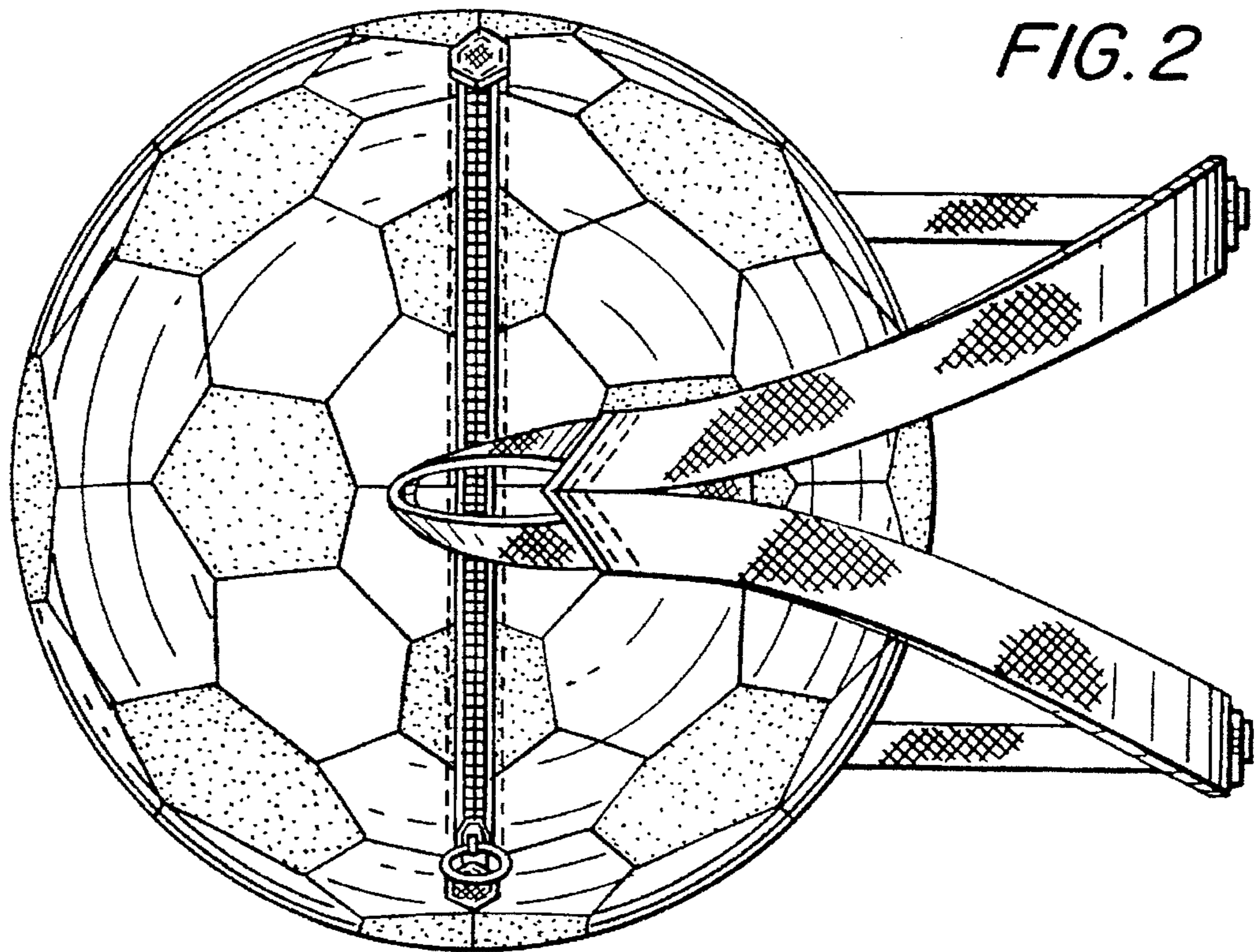


FIG. 2

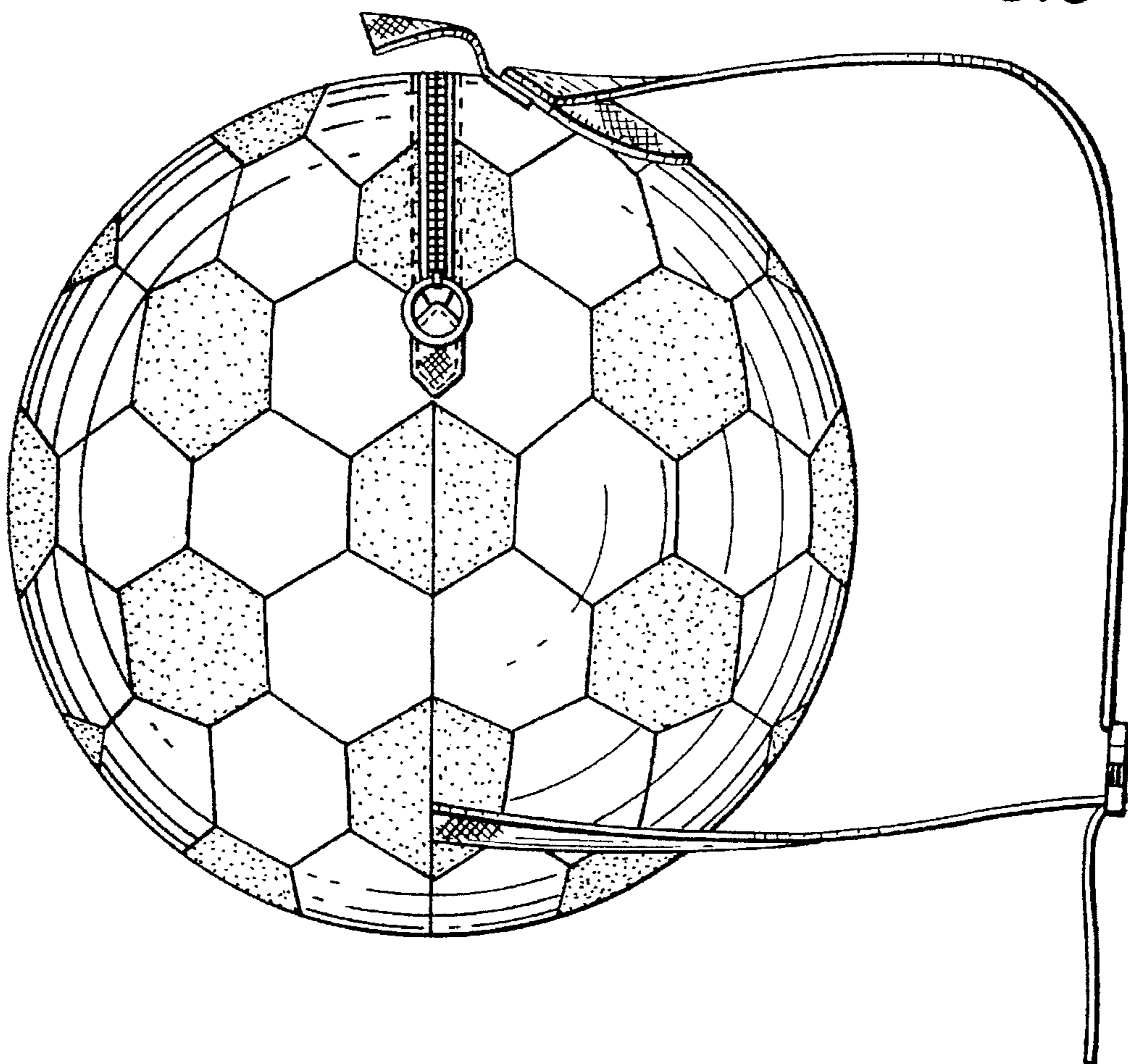


FIG. 3