

US00D381493S

United States Patent [19]

Comeau

[11] Patent Number: Des. 381,493

[45] Date of Patent: **Jul. 29, 1997

[54] TOY SHOE

[76] Inventor: **Renald Comeau**, 15 Blanche St., Worcester, Mass. 01610

[**] Term: 14 Years

[21] Appl. No.: 44,494

[22] Filed: Sep. 25, 1995

[51] LOC (6) Cl. 02-04

[52] U.S. Cl. D2/906

[58] Field of Search D2/906, 907, 896, D2/902, 909, 913, 929, 946, 962; 36/114, 115, 116, 124, 134, 173, 7.6, 67 A, 59 R, 66

[56] References Cited

U.S. PATENT DOCUMENTS

1,207,005	12/1916	Fache	36/7.6
3,402,484	9/1968	Brotting	36/134 X
4,353,172	10/1982	Bryant	36/7.6
4,480,396	11/1984	Lowe et al.	36/7.6
4,635,383	1/1987	Free	36/134 X
5,513,451	5/1996	Kataoka et al.	36/134 X

FOREIGN PATENT DOCUMENTS

3019129 12/1980 Germany 36/124

OTHER PUBLICATIONS

Sears Catalog, 1974, p. 933.

Primary Examiner—Prabhakar G. Deshmukh
Attorney, Agent, or Firm—Harpman & Harpman

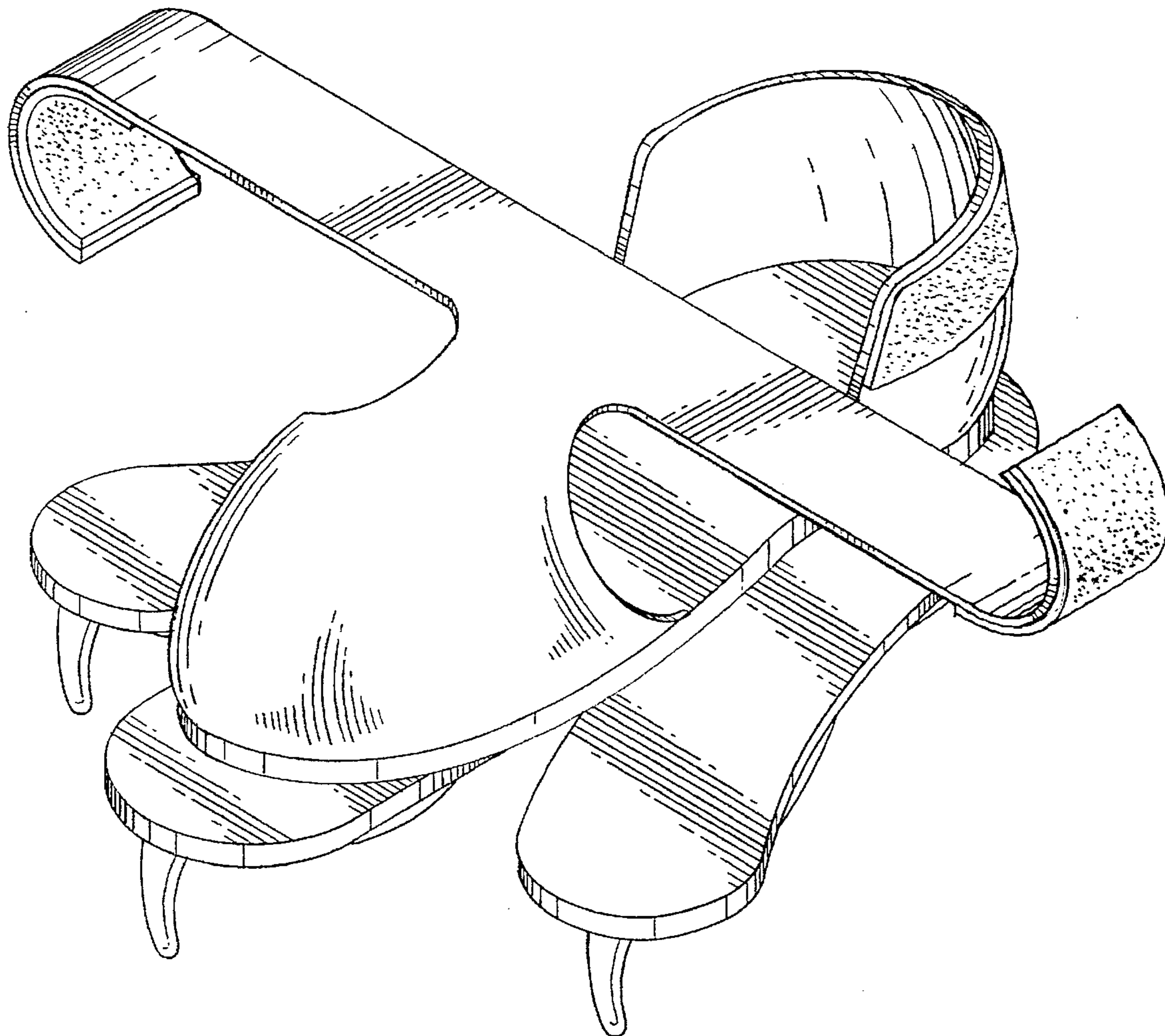
[57] CLAIM

The ornamental design for a toy shoe, as shown and described.

DESCRIPTION

FIG. 1 is a front, top and side perspective view of a toy shoe; shown in an unassembled condition with the attaching flap in an alternate position;
FIG. 2 is front elevational view thereof in an assembled condition;
FIG. 3 is a rear elevational view thereof;
FIG. 4 is a side elevational view thereof, the opposite side elevational view being identical thereto;
FIG. 5 is a top plan view thereof; and,
FIG. 6 is a bottom plan view thereof.

1 Claim, 3 Drawing Sheets



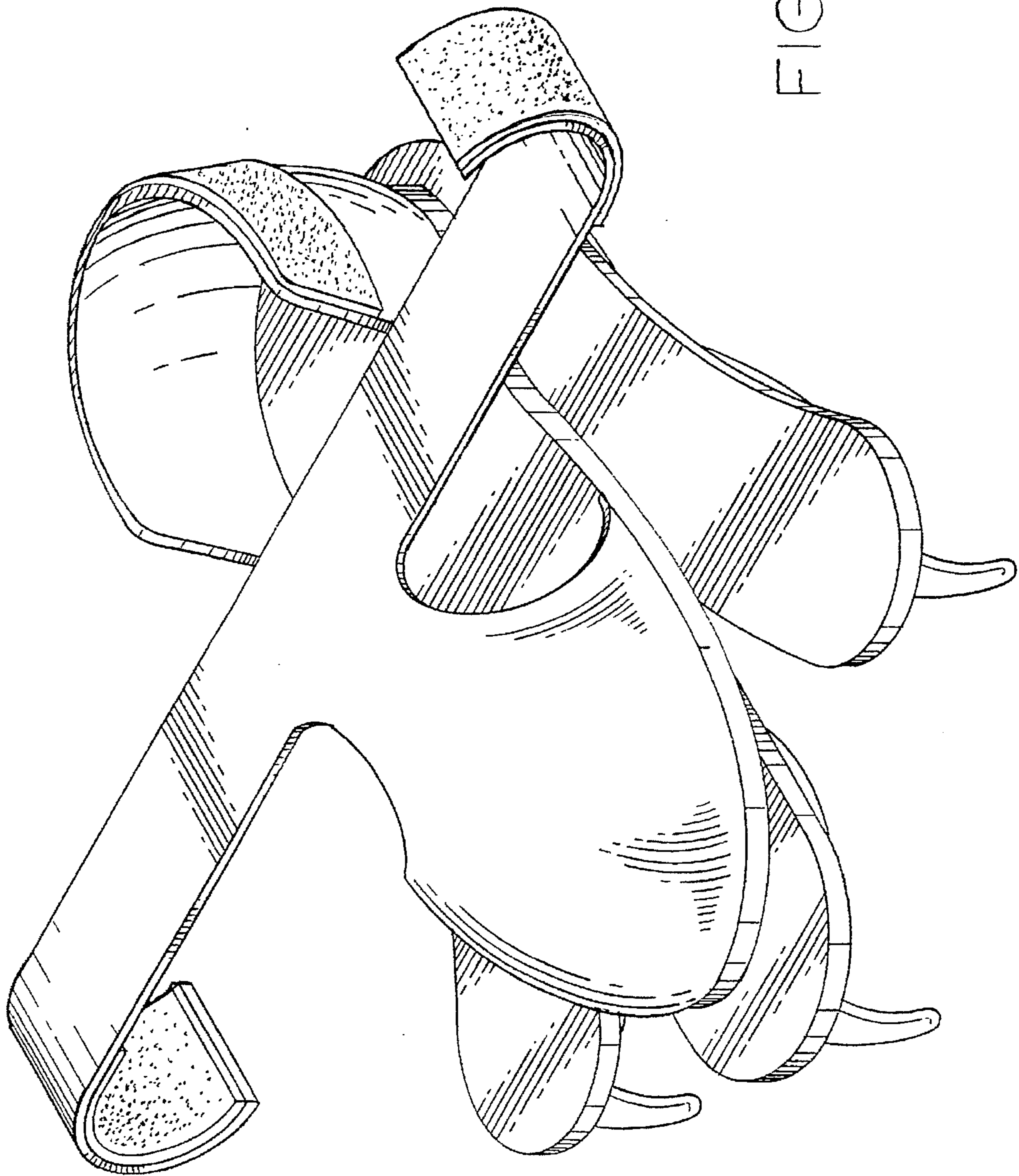


FIG. 1

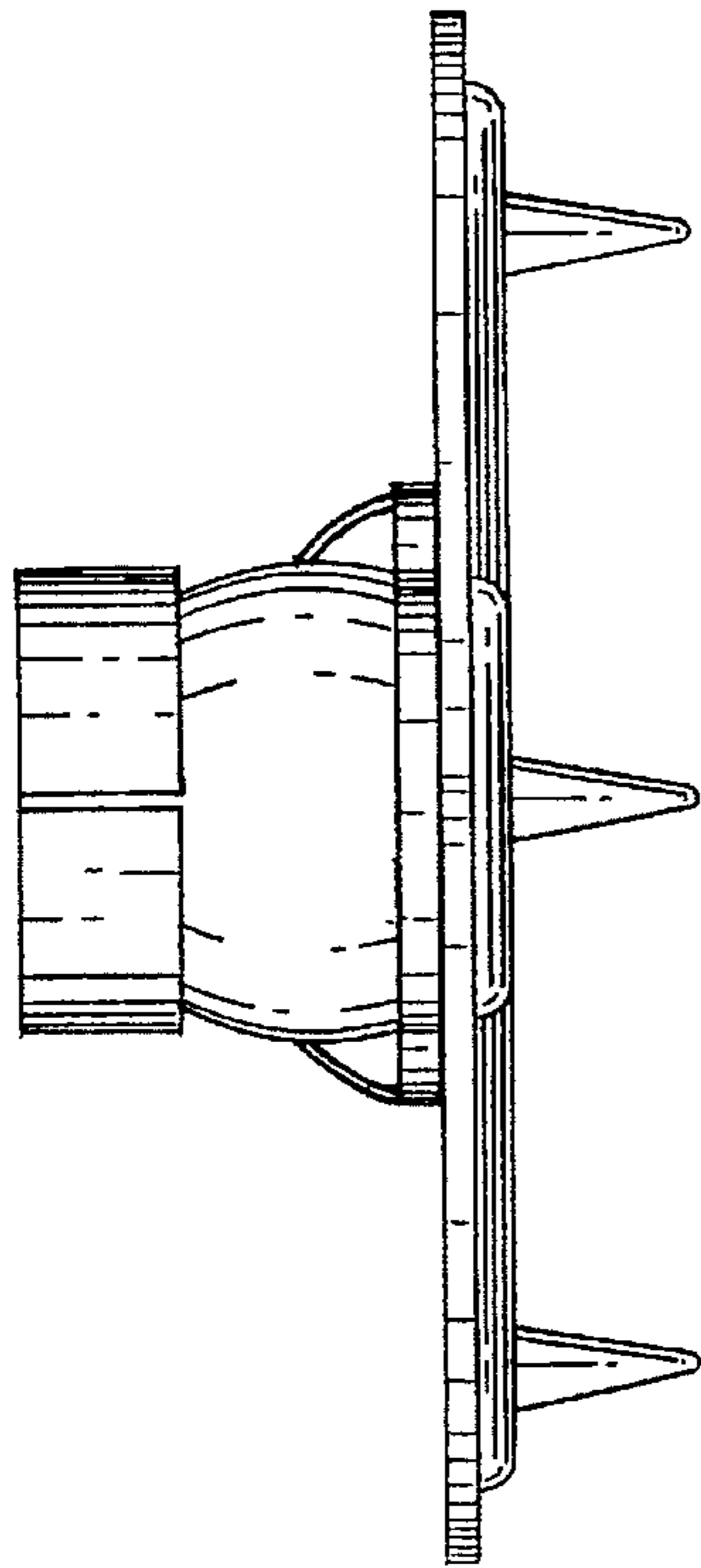


FIG. 3

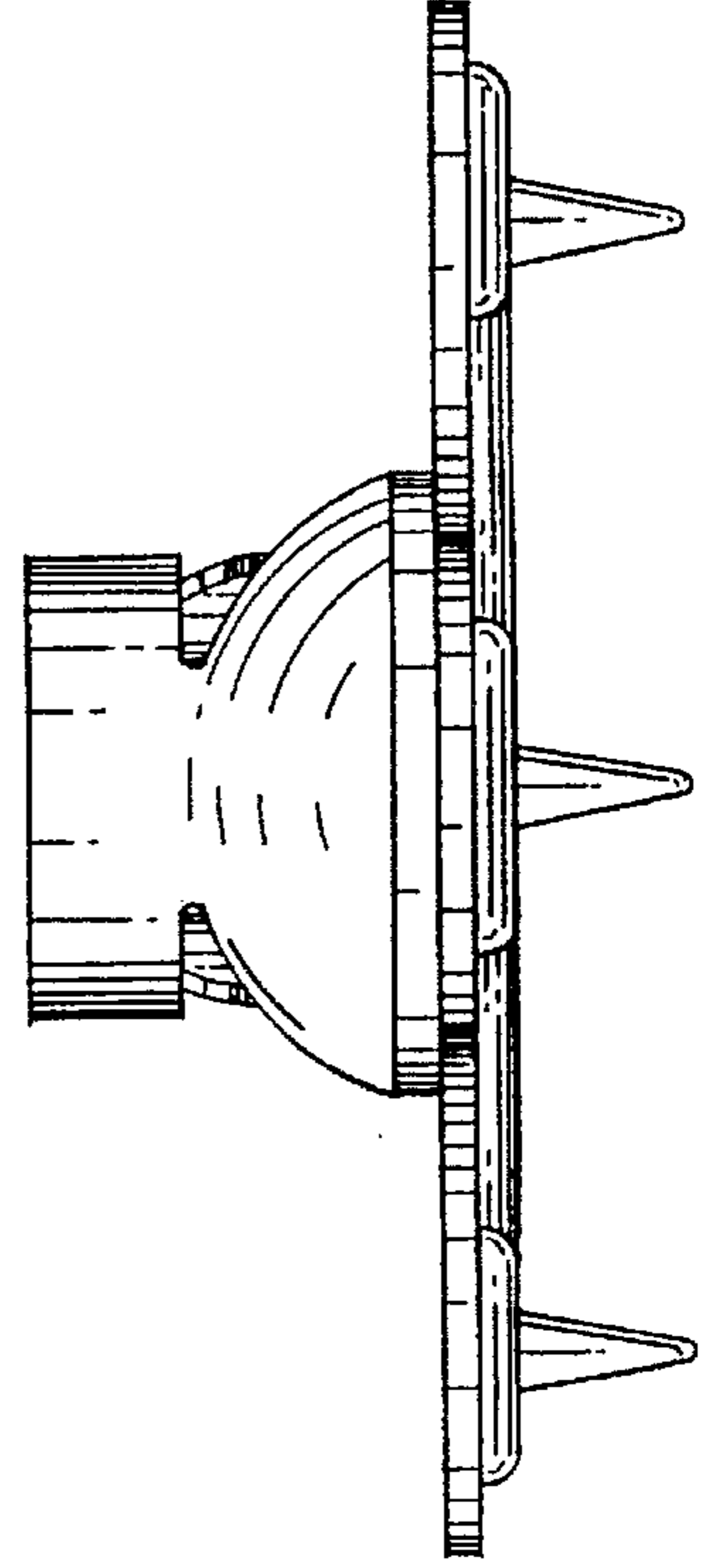


FIG. 2

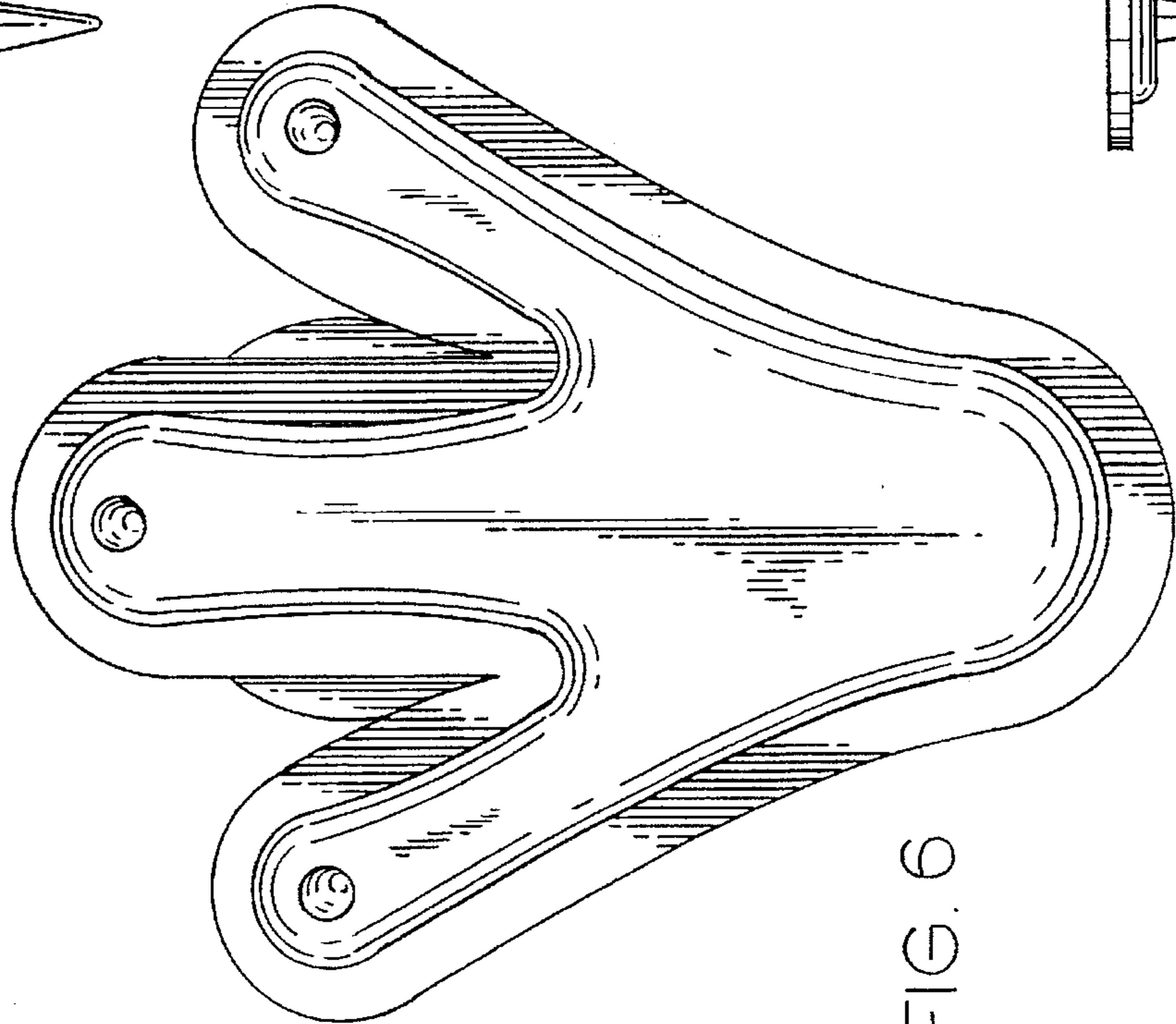


FIG. 6

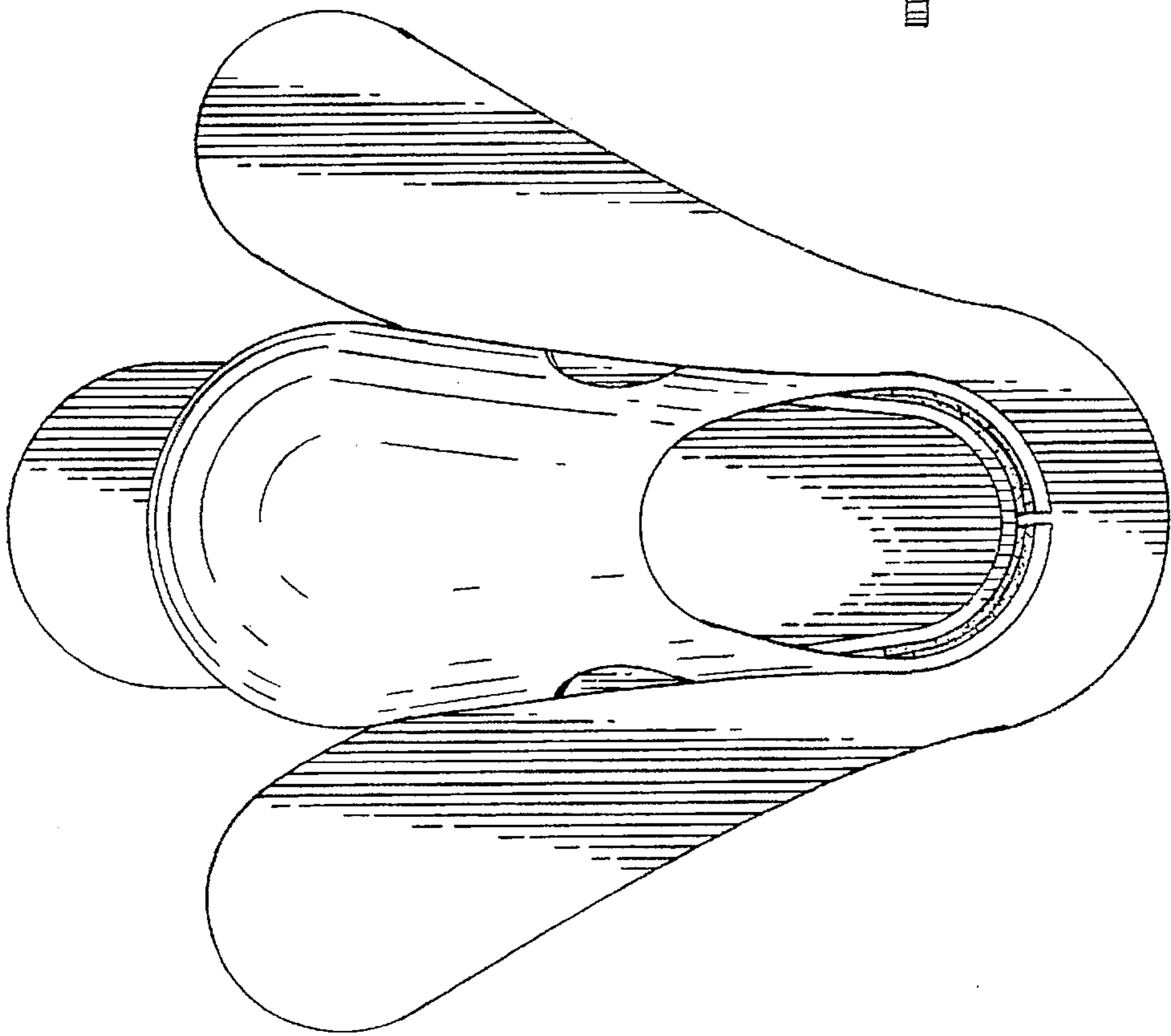


FIG. 5

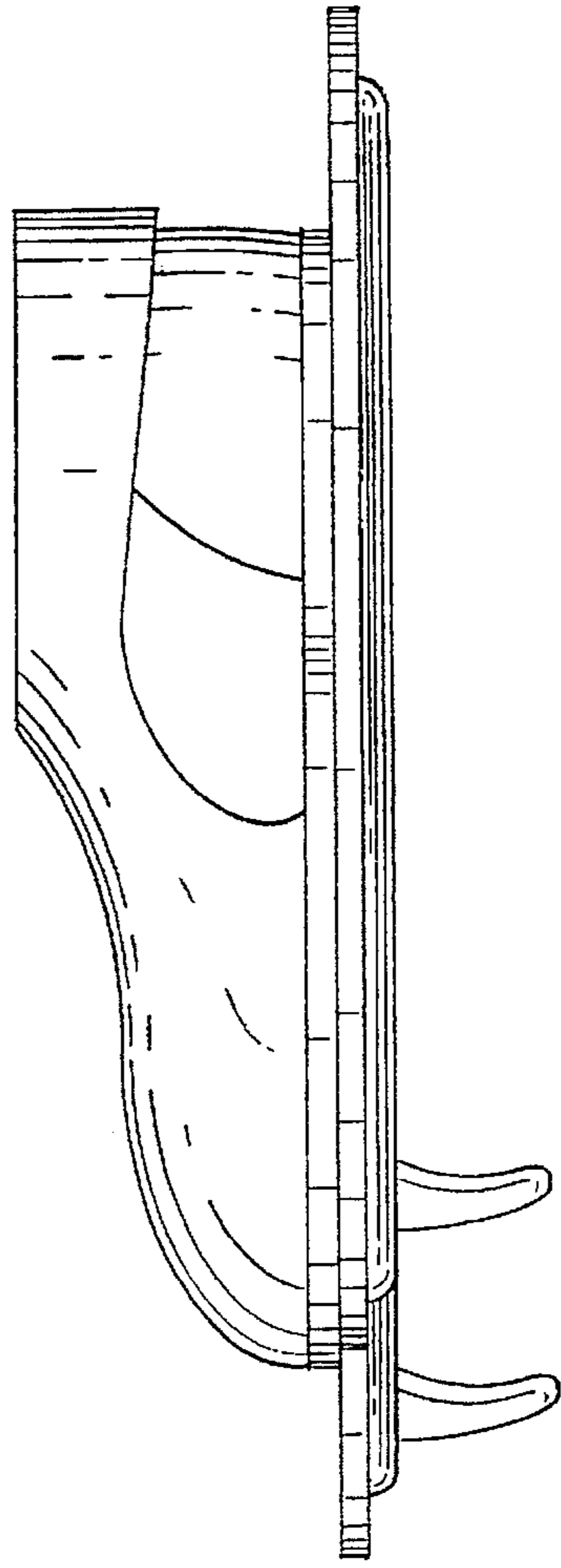


FIG. 4